



US00D362765S

# United States Patent [19]

[11] Patent Number: **Des. 362,765**

**Ruggieri**

[45] Date of Patent: **\*\*Oct. 3, 1995**

[54] **DISPLAY DEVICE FOR THE TEN COMMANDMENTS**

D. 327,708 7/1992 Schoelpple et al. .... D20/10

[76] Inventor: **August Ruggieri**, 99-45 60th Ave.,  
Flushing, N.Y. 11368

*Primary Examiner*—Alan P. Douglas  
*Assistant Examiner*—S. Snapp  
*Attorney, Agent, or Firm*—Steven Horowitz

[\*\*] Term: **14 Years**

[57] **CLAIM**

[21] Appl. No.: **25,407**

The ornamental design for a display device for the ten commandments, as shown and described.

[22] Filed: **Jun. 30, 1994**

[52] U.S. Cl. .... **D6/449**

### DESCRIPTION

[58] **Field of Search** ..... D6/396, 397, 449,  
D6/450, 451, 466-474; D20/10, 29, 34,  
40; 362/812; 40/584

FIG. 1 is a top front and right side perspective view of an display device of the ten commandments showing my new design;

[56] **References Cited**

FIG. 2 is a top plan view thereof;

FIG. 3 is a left side view thereof;

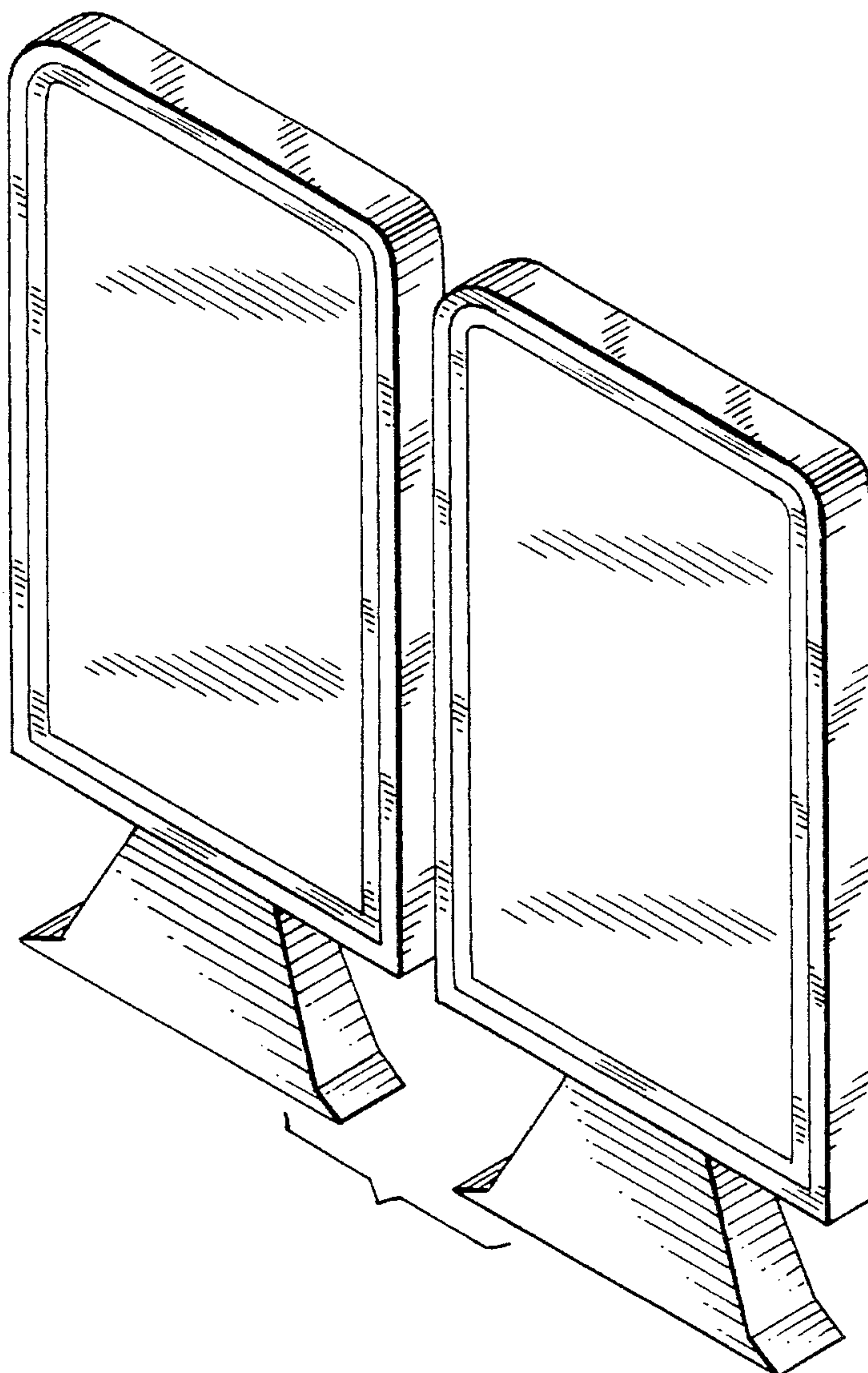
FIG. 4 is a rear view thereof; and,

FIG. 5 is a bottom plan view thereof.

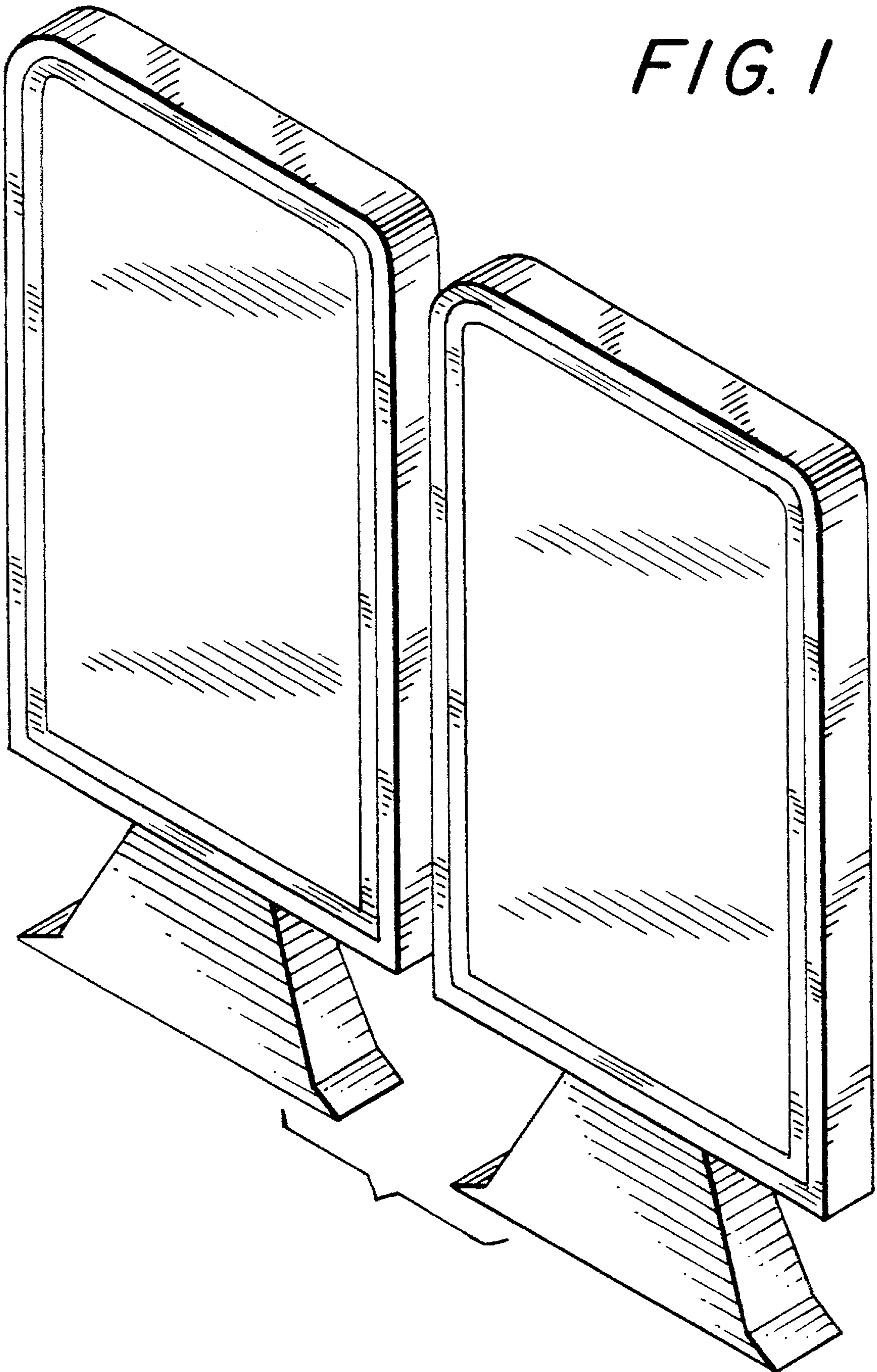
#### U.S. PATENT DOCUMENTS

- D. 106,116 9/1937 Kay ..... D20/10
- D. 111,606 10/1938 Kay ..... D20/10
- D. 275,970 10/1984 Bowers ..... D6/470

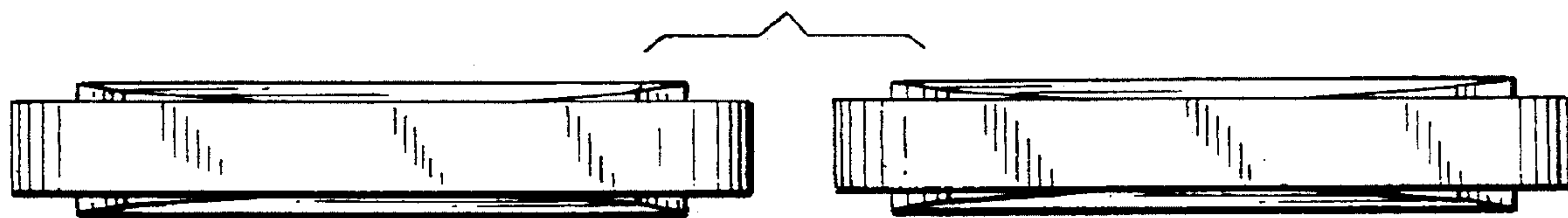
**1 Claim, 3 Drawing Sheets**



*FIG. 1*



*FIG. 2*



*FIG. 3*



FIG. 4

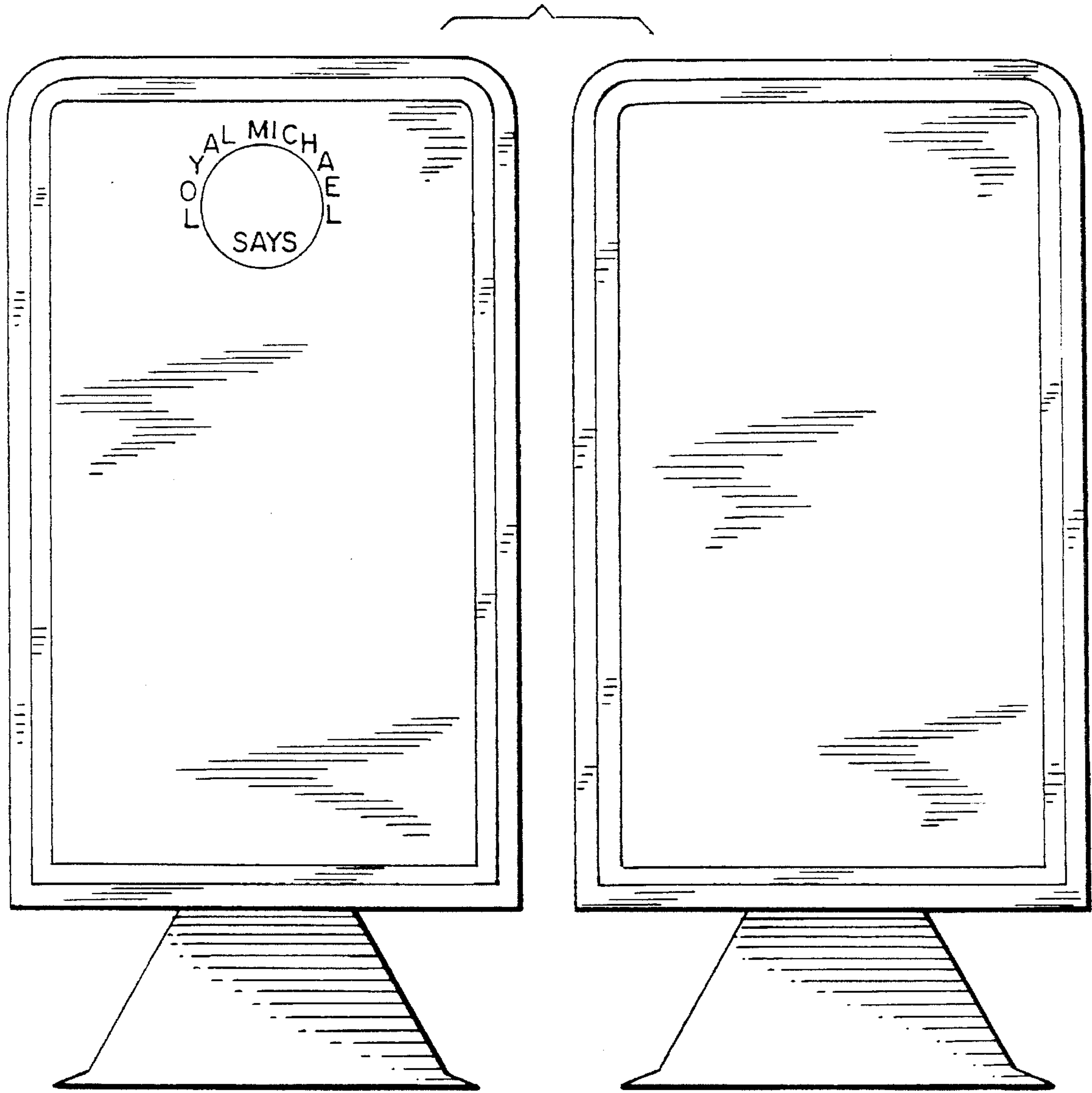


FIG. 5

