



US00D362762S

# United States Patent [19]

[11] Patent Number: **Des. 362,762**

Emalfarb et al.

[45] Date of Patent: **\*\*\* Oct. 3, 1995**

[54] **PLANT STAND WITH AUXILIARY SHELF**

1,112,558 10/1914 Red .  
2,203,632 6/1940 Munsun et al. .  
2,850,826 9/1958 Testa .

[76] Inventors: **Seymour Emalfarb**, 1585 Saunders Rd., River Woods, Ill. 60015; **Bradley S. Emalfarb**, 26529 N. Hwy. 83, Mundelein, Ill. 60060

### FOREIGN PATENT DOCUMENTS

12622 of 1897 United Kingdom .

[\*] Notice: The portion of the term of this patent subsequent to Feb. 8, 2008 has been disclaimed.

### OTHER PUBLICATIONS

Metalcraft Catalog No. 3R, 1940, George Koch Sons, Inc., Evansville, Ind.

[\*\*] Term: **14 Years**

*Primary Examiner*—Alan P. Douglas  
*Assistant Examiner*—Cathrin B. Matta  
*Attorney, Agent, or Firm*—Wood, Phillips, VanSanten, Clark & Mortimer

[21] Appl. No.: **13,230**

[22] Filed: **Sep. 21, 1993**

[52] U.S. Cl. .... **D6/405**

### [57] CLAIM

[58] Field of Search ..... D6/403, 405, 462

The ornamental design for plant stand with auxiliary shelf, as shown and described.

### [56] References Cited

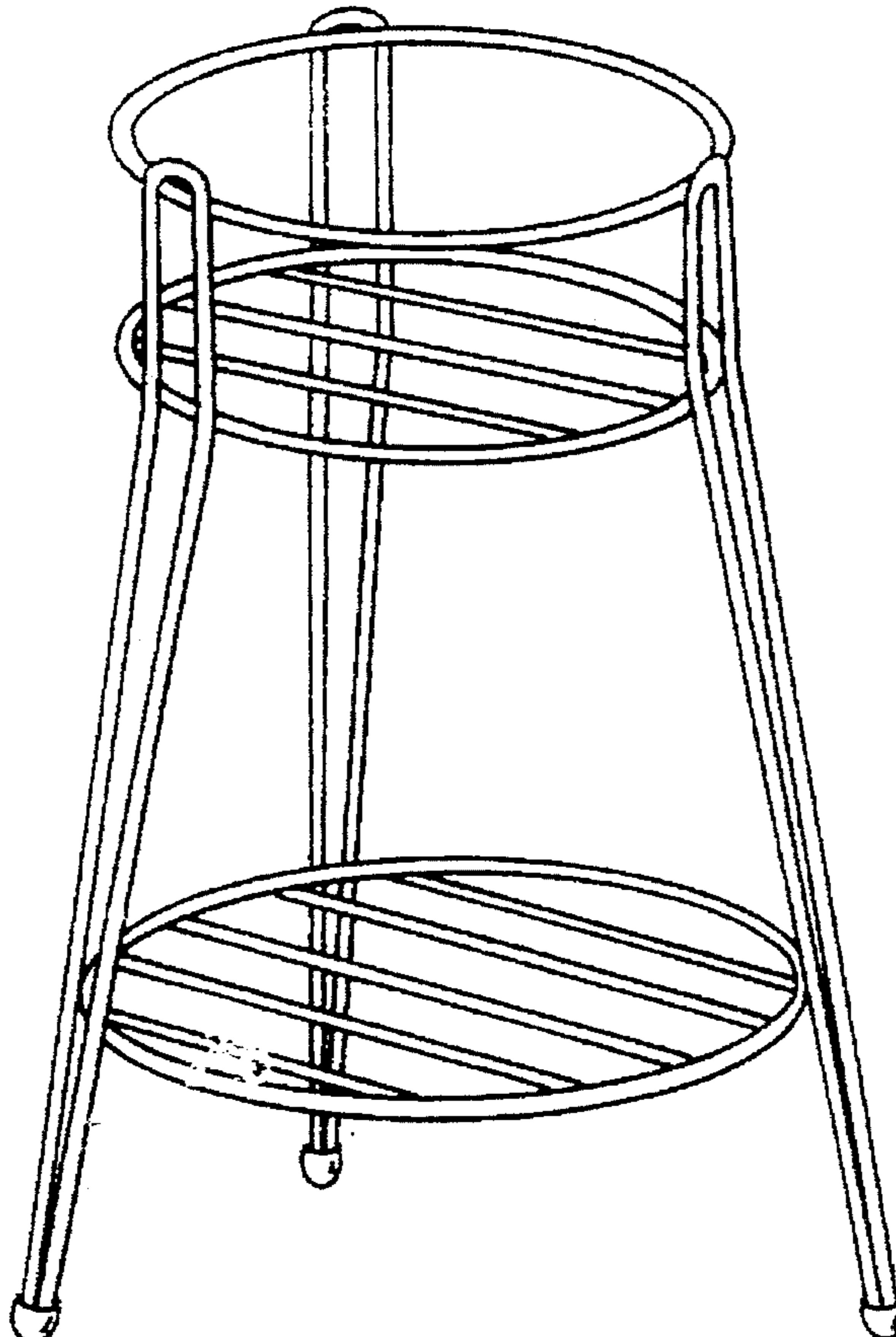
### DESCRIPTION

#### U.S. PATENT DOCUMENTS

85,814 1/1869 Guidet .  
D. 85,814 12/1931 Critchfield et al. .... D6/462  
171,557 12/1875 Gibbs .  
D. 172,550 7/1954 Peirce .  
D. 181,164 10/1957 Remstein ..... D6/458  
229,261 6/1880 Lefferts .  
D. 245,136 7/1977 Hughes, Jr. .... D6/405  
D. 343,968 2/1994 Emalfarb et al. .... D6/403  
760,879 5/1904 Kunzman .

FIG. 1 is a front elevation view of a plant stand with auxiliary shelf showing our new design;  
FIG. 2 is a top plan view thereof;  
FIG. 3 is a bottom plan view thereof;  
FIG. 4 is a left side elevation view thereof, the right side elevation view thereof being a mirror image; and,  
FIG. 5 is a perspective view thereof.

**1 Claim, 1 Drawing Sheet**



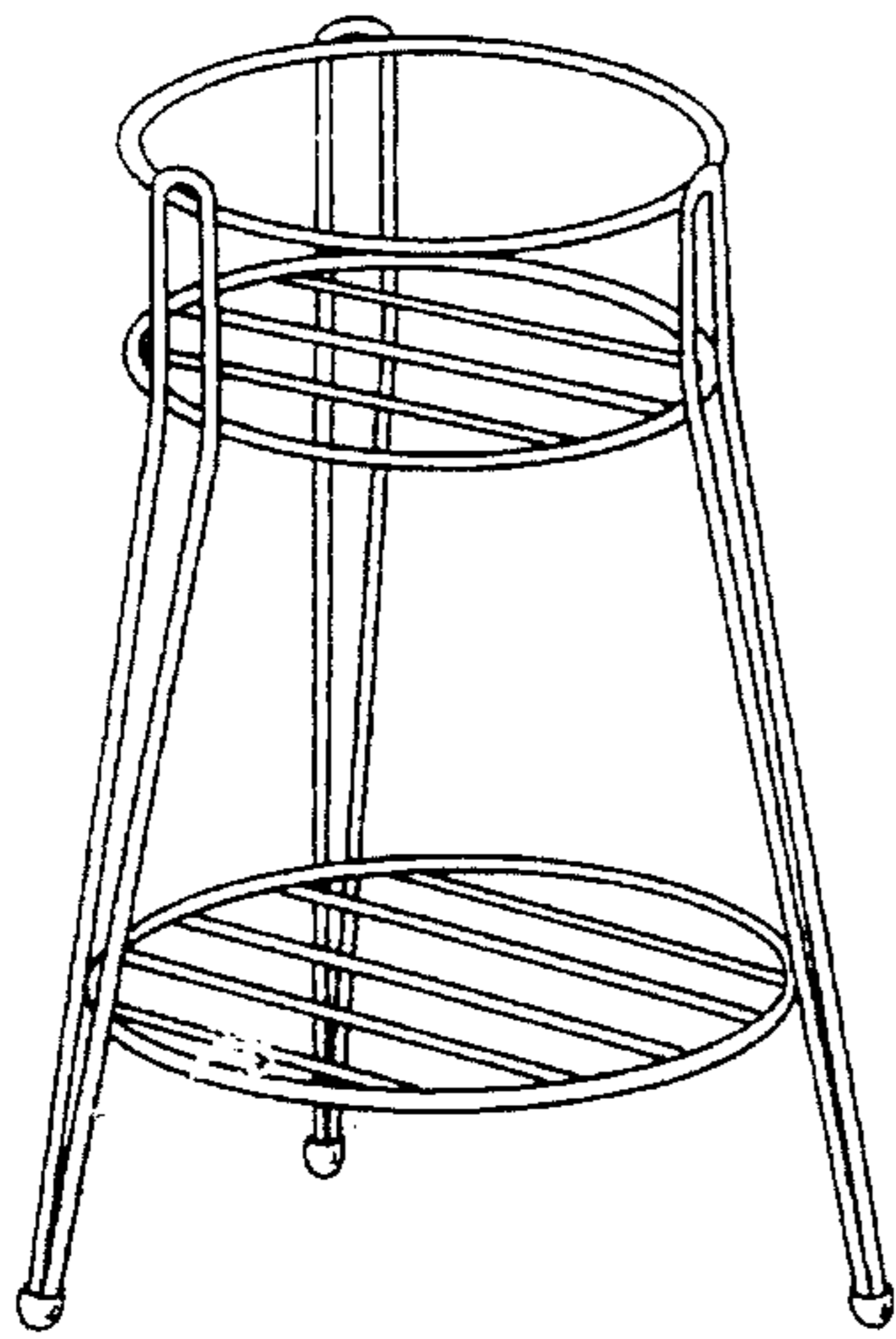


FIG. 5

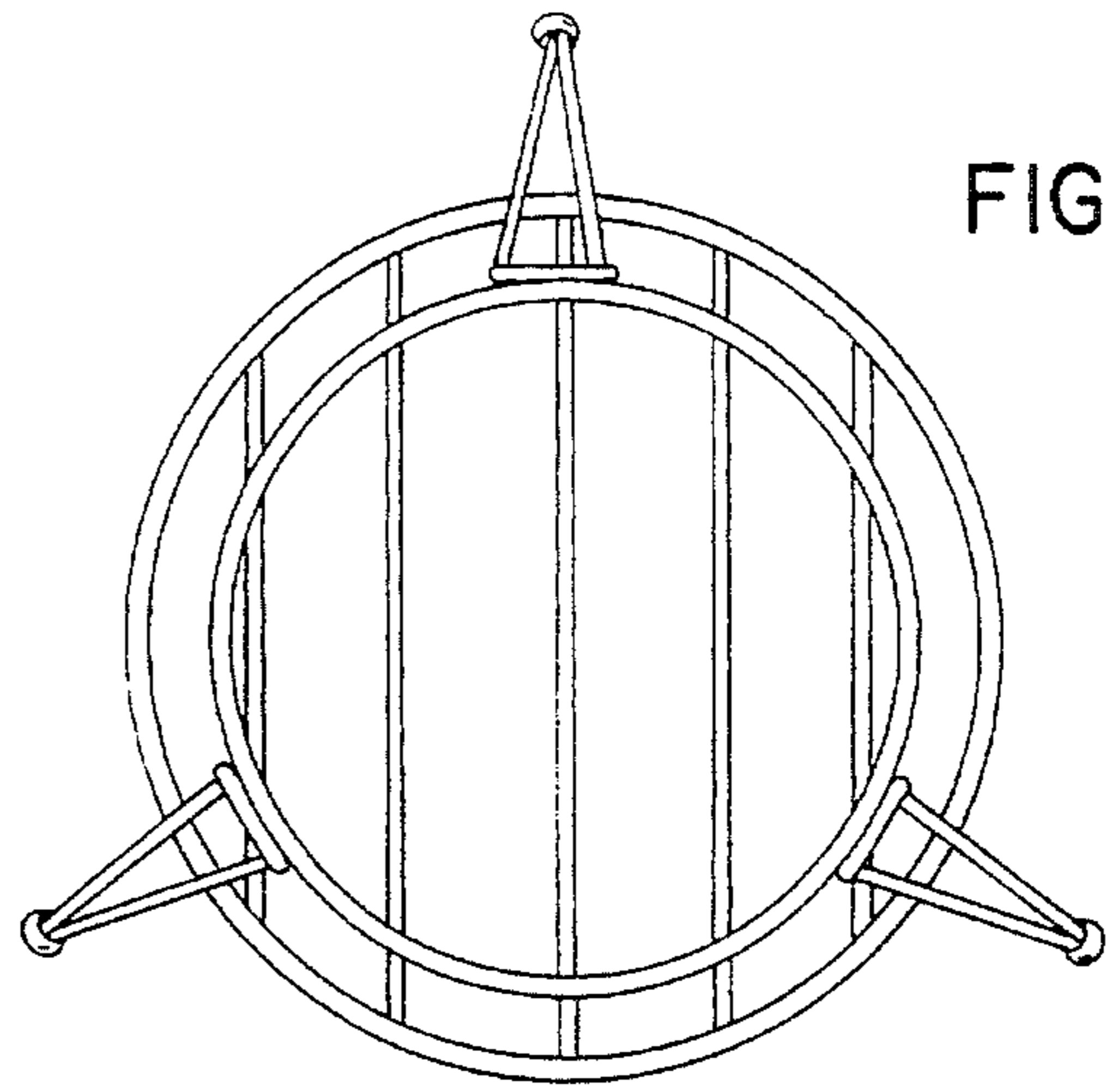


FIG. 2

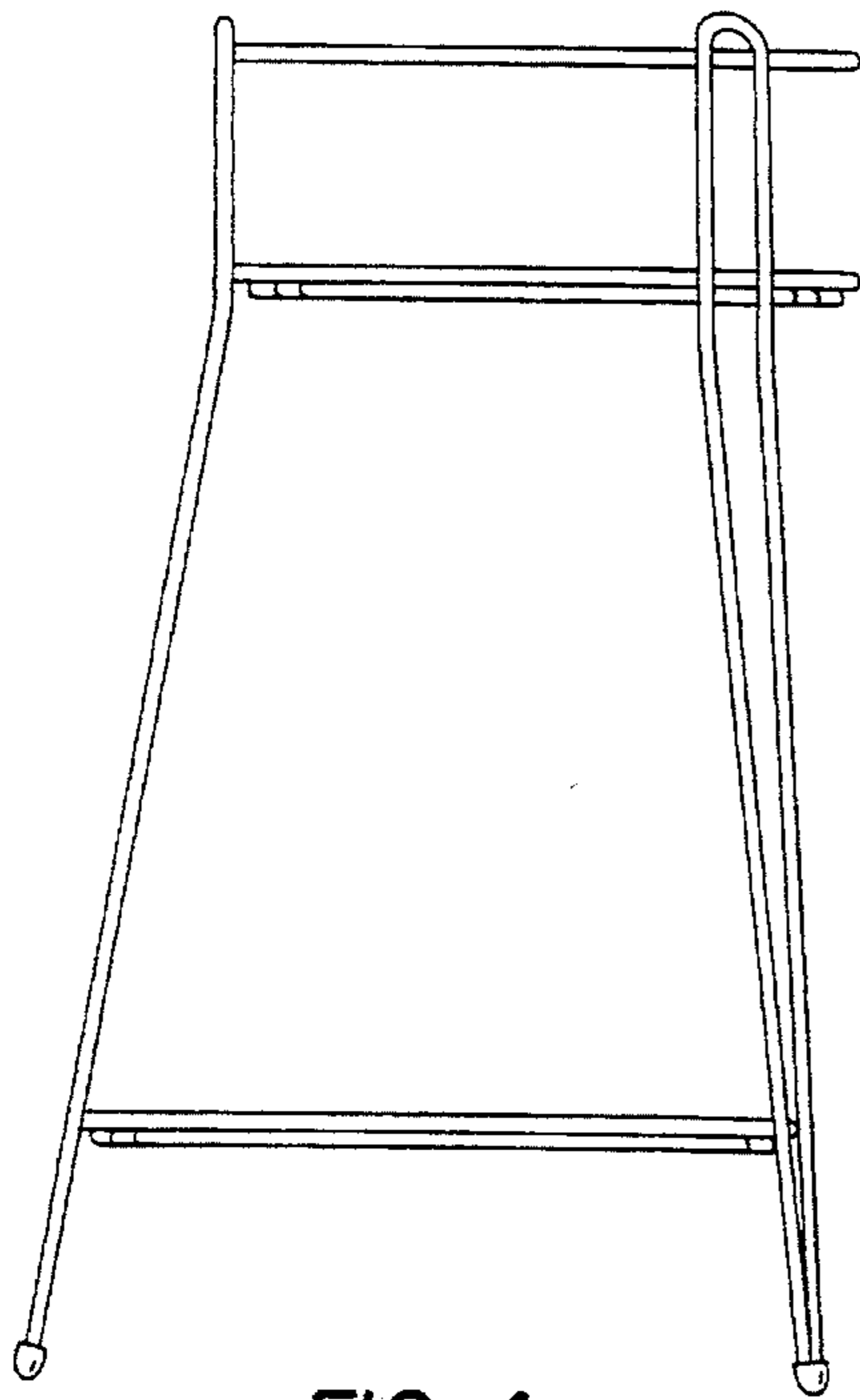


FIG. 4

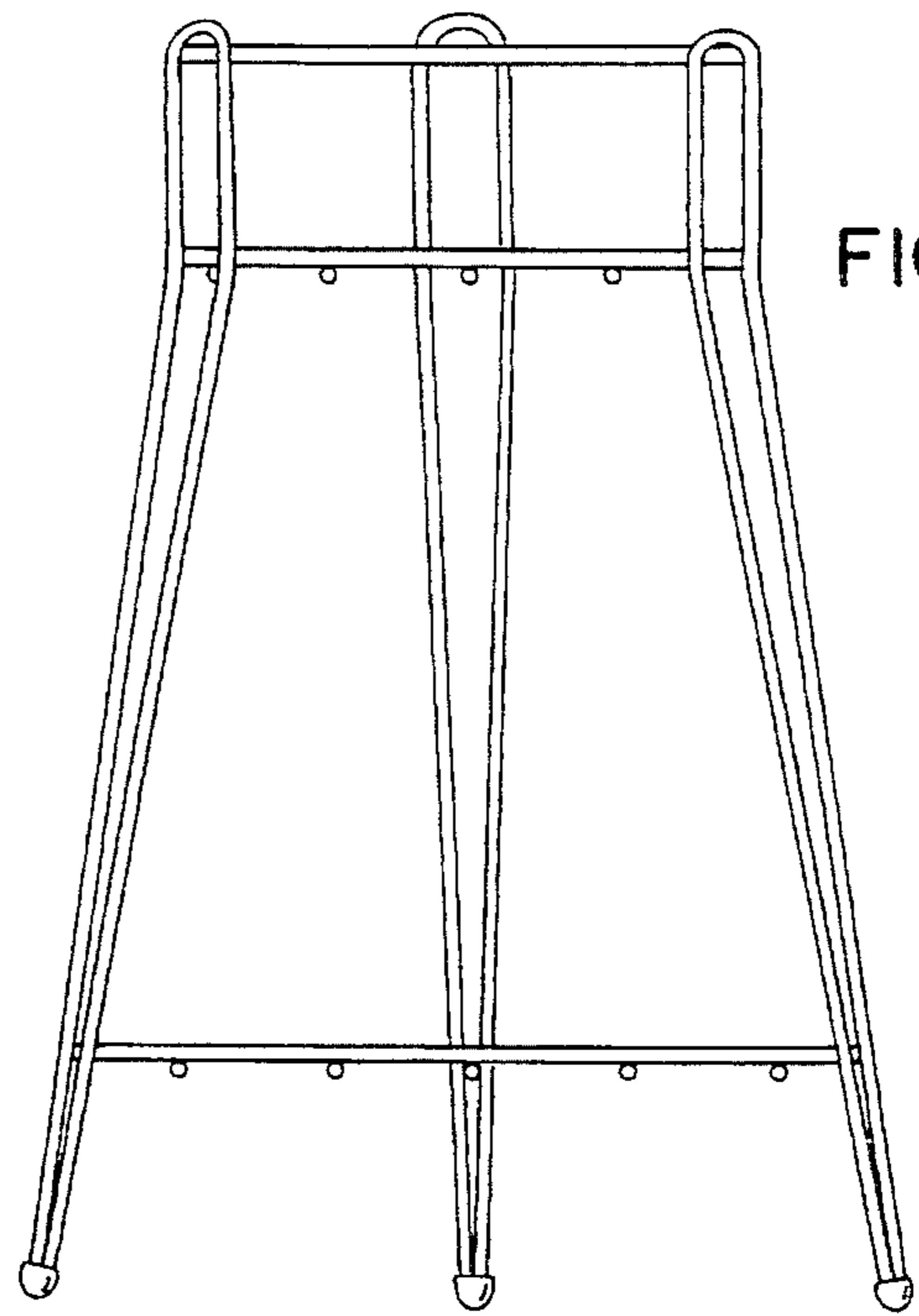


FIG. 1

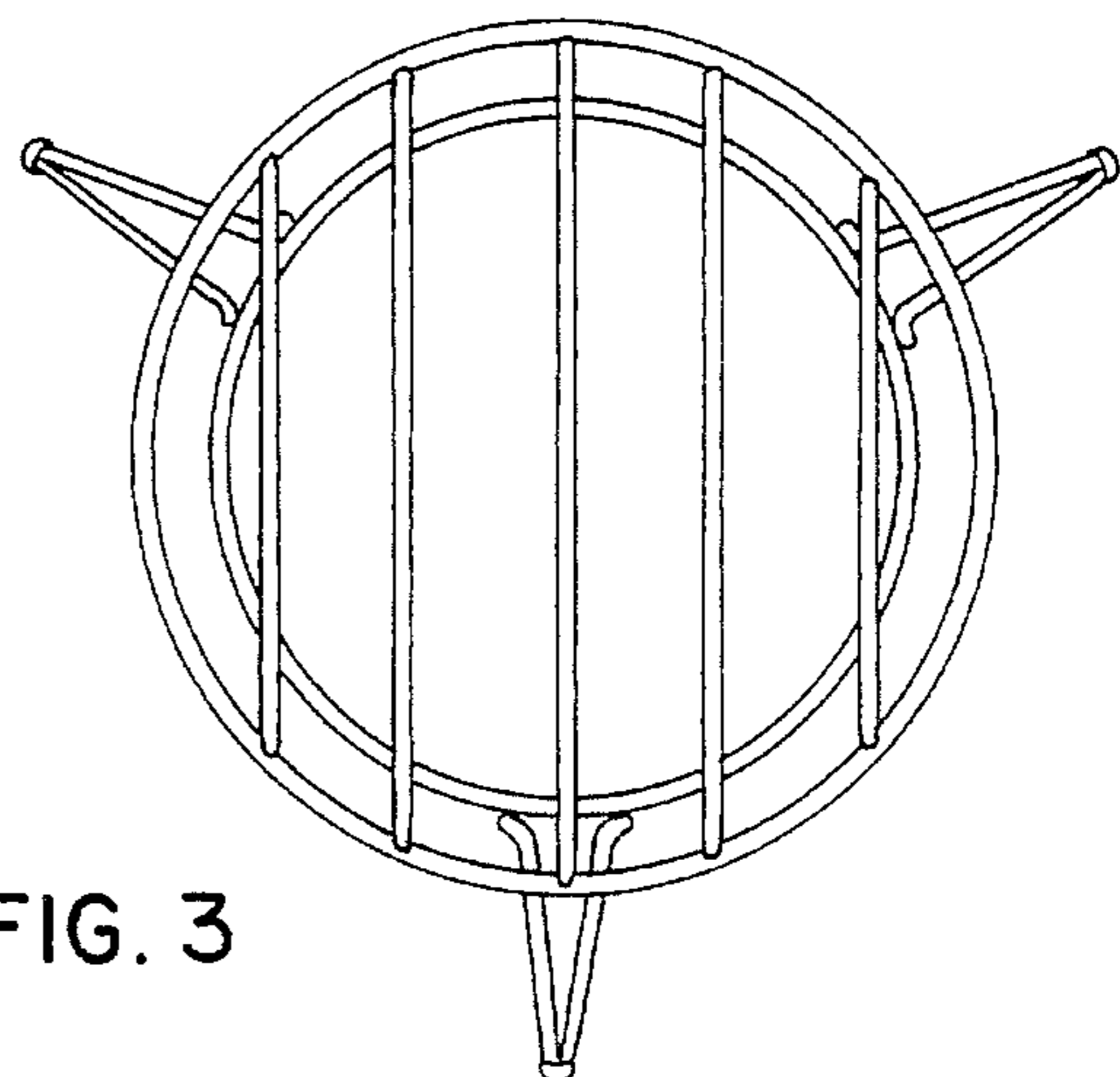


FIG. 3