



US00D362760S

# United States Patent [19]

[11] Patent Number: **Des. 362,760**

Natuzzi et al.

[45] Date of Patent: **\*\*Oct. 3, 1995**

[54] SEAT

[75] Inventors: **Pasquale Natuzzi; Raffaella Lucarelli**, both of Santeramo In Colle, Italy

[73] Assignee: **Industrie Natuzzi SPA**, Bari, Italy

[\*\*] Term: **14 Years**

[21] Appl. No.: **25,328**

[22] Filed: **Jun. 30, 1994**

[52] U.S. Cl. .... **D6/381; D6/334**

[58] Field of Search ..... D6/334, 335, 336, D6/364, 371, 373, 381, 500, 501, 502; 297/232, 445, 446

## [56] References Cited

### U.S. PATENT DOCUMENTS

D. 246,684	12/1977	Nash	.....	D6/381
D. 253,078	10/1979	Busnelli	.....	D6/334
D. 284,145	6/1986	Staats et al.	.....	D6/381
D. 289,713	5/1987	Bick et al.	.....	D6/381
D. 344,861	3/1994	Natuzzi et al.	.....	D6/381

### OTHER PUBLICATIONS

- Wagnline, Jan. 1986, sofa #185/800 at left.
- Waynline, Jul. 1988, sofa #602/810 at left.
- Wagnline, Jan. 1989, sofa #812/800, background center.
- Directions, p. 20, sofa second from top.
- Natuzzi Model 414, Oct. 1987, at International Home Furnishings Market in High Point, N.C.
- Natuzzi Model 451, Oct. 1988 at International Home Furnishings Market in High Point, N.C.
- Natuzzi Model 484, Apr. 1989 at International Home Furnishings Market in High Point, N.C.
- Natuzzi Model 709, Oct. 1989 at International Home Furnishings Market in High Point, N.C.
- Natuzzi Model 765, Apr. 1990 at International Home Furnishings Market in High Point, N.C.

- Natuzzi Model 828, Apr. 1991, at International Home Furnishings Market in High Point, N.C.
- Natuzzi Model 830, Apr. 1991 at International Home Furnishings Market in High Point, N.C.
- Natuzzi Model 846, Apr. 1991 at International Home Furnishings Market in High Point, N.C.
- Natuzzi Model 866, Oct. 1991 at International Home Furnishings Market in High Point, N.C.
- Natuzzi Model 923, Apr. 1992 at International Home Furnishings Market in High Point, N.C.
- Natuzzi Model 934, Apr. 1992 at International Home Furnishings Market in High Point, N.C.
- Natuzzi Model 968, Sep. 1992 at International Home Furnishings Market in High Point, N.C.
- Natuzzi Model 1050, Oct. 1992 at International Home Furnishings Market in High Point, N.C.

*Primary Examiner*—Alan P. Douglas  
*Assistant Examiner*—Gary D. Watson  
*Attorney, Agent, or Firm*—Bell, Seltzer, Park & Gibson

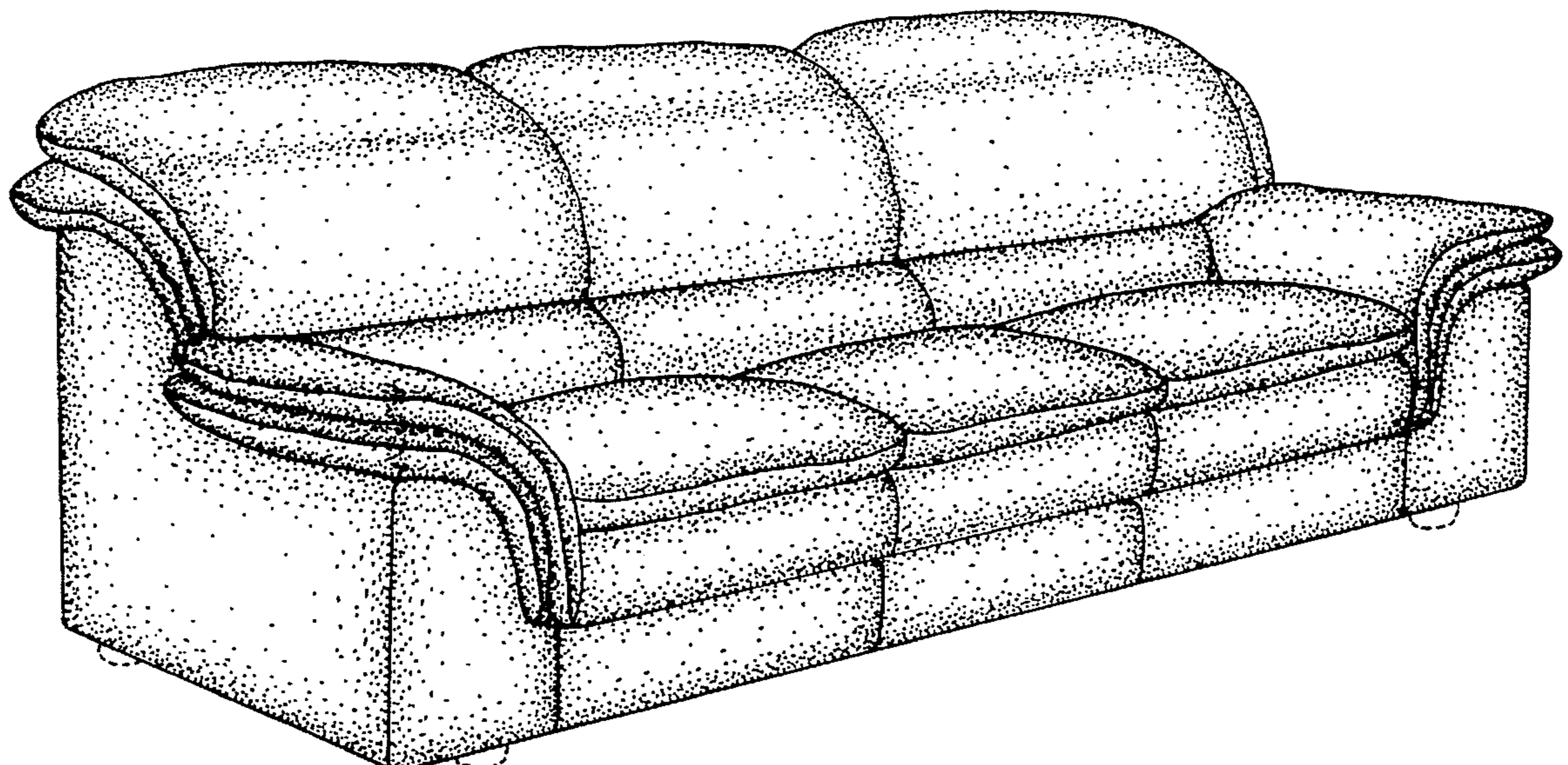
## [57] CLAIM

The ornamental design for a seat, as shown and described.

## DESCRIPTION

- FIG. 1 is a right side perspective view of a seat showing our new design in the form of a sofa;
- FIG. 2 is a left side perspective view thereof;
- FIG. 3 is a rear view thereof;
- FIG. 4 is a right side perspective view of a seat showing our new design in the form of a love seat;
- FIG. 5 is a left side perspective view thereof;
- FIG. 6 is a rear view thereof;
- FIG. 7 is a right side perspective view of a seat showing our new design in the form of a chair;
- FIG. 8 is a left side perspective view thereof; and,
- FIG. 9 is a rear view of the chair thereof.

**1 Claim, 4 Drawing Sheets**



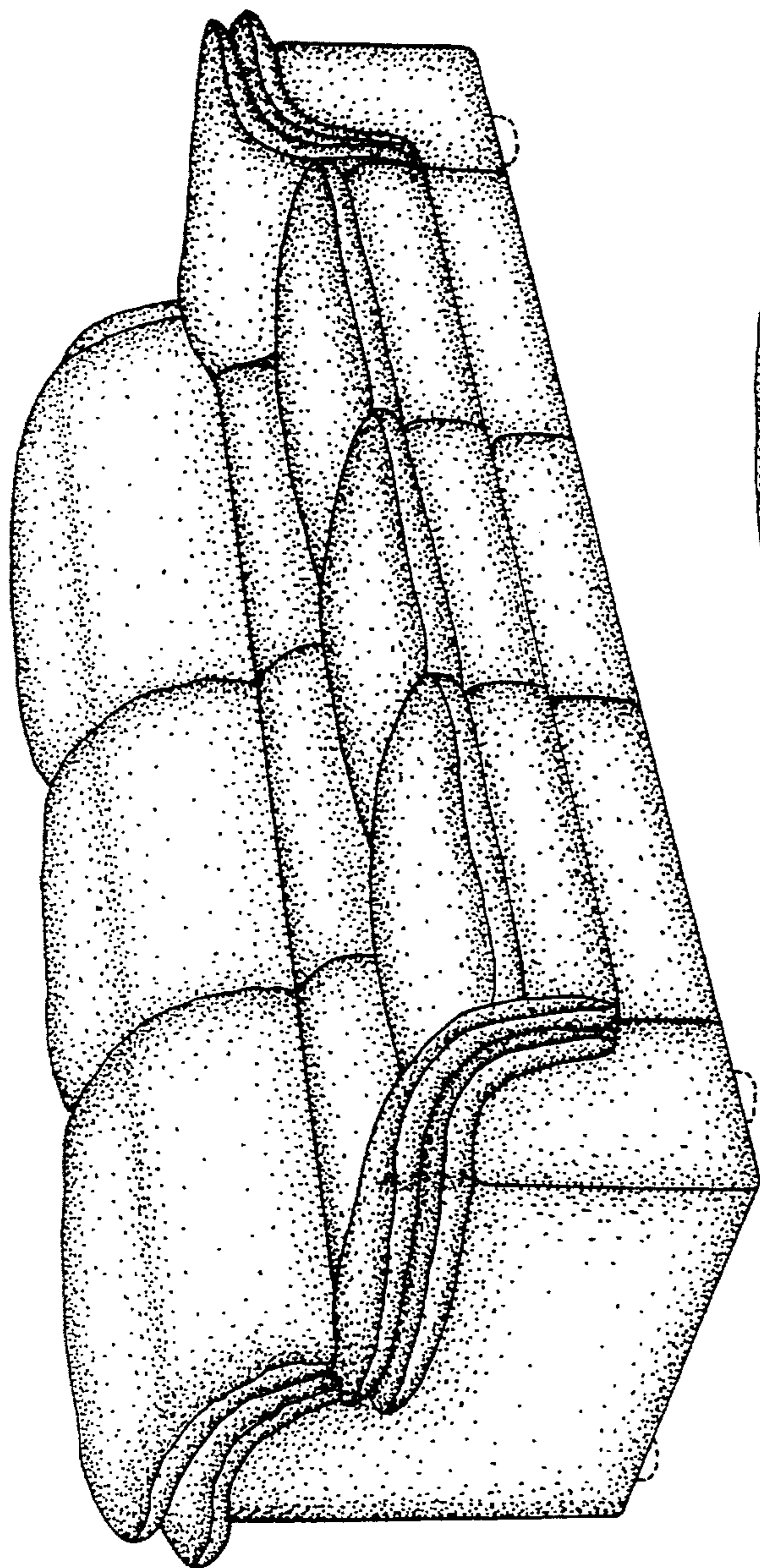


FIG. 1

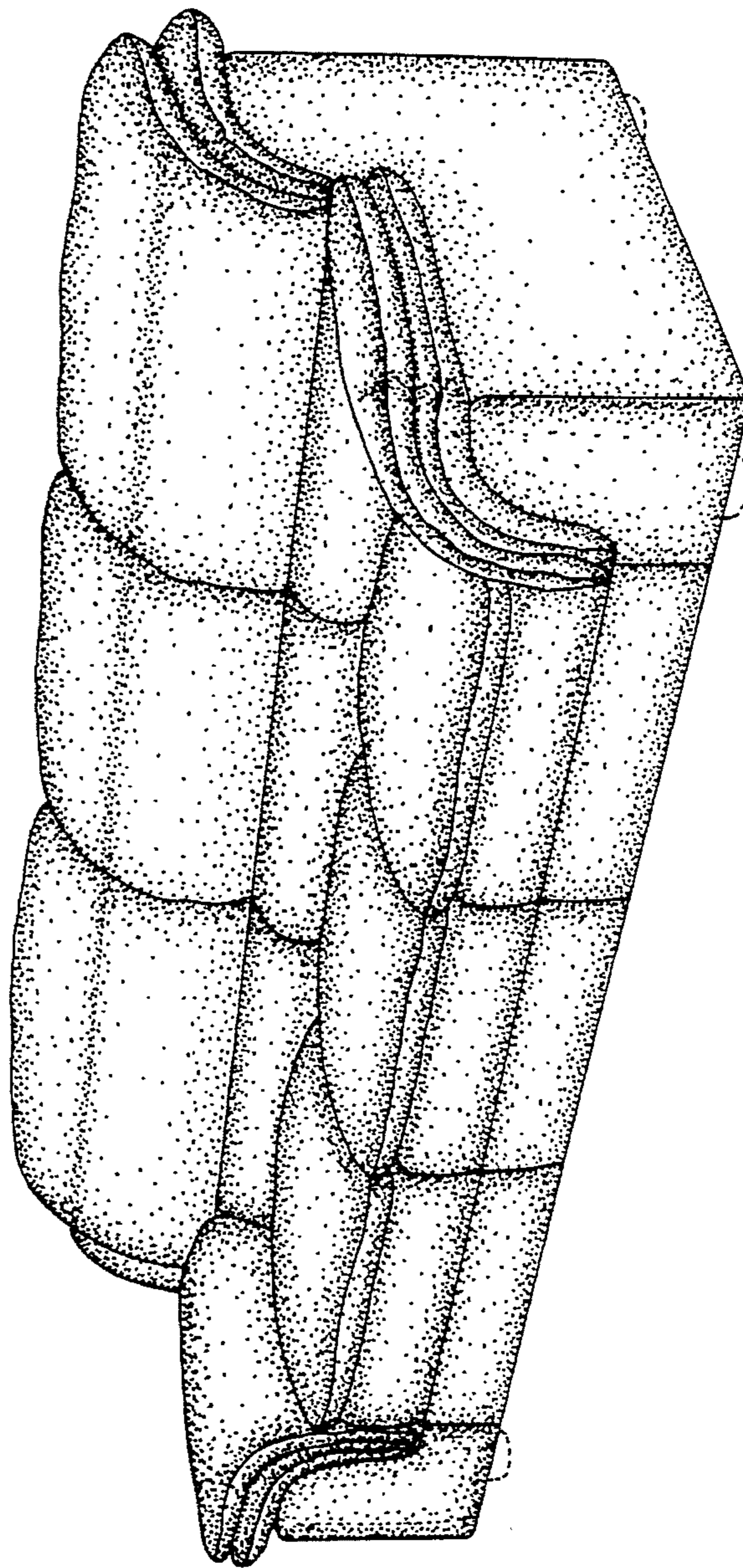
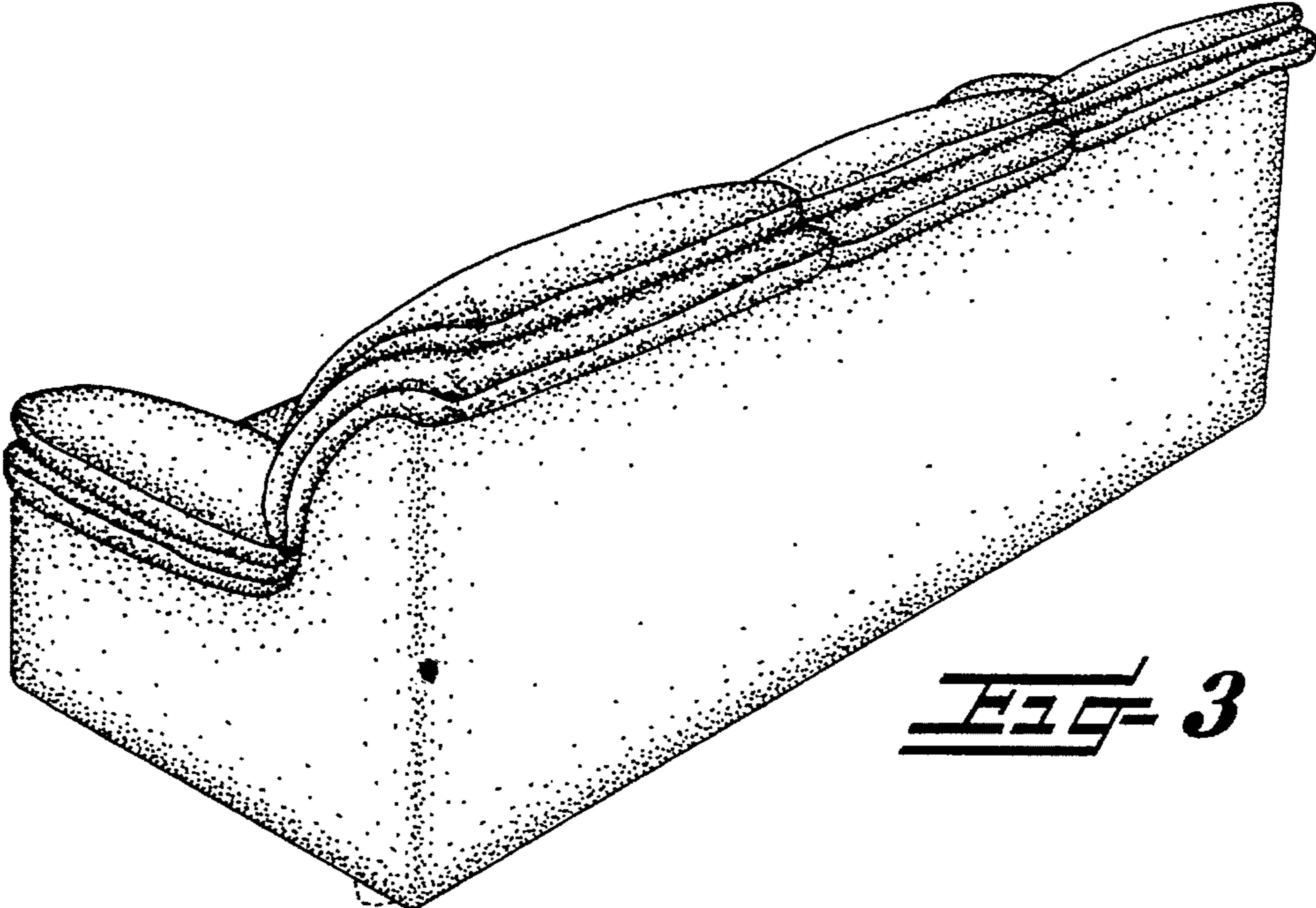
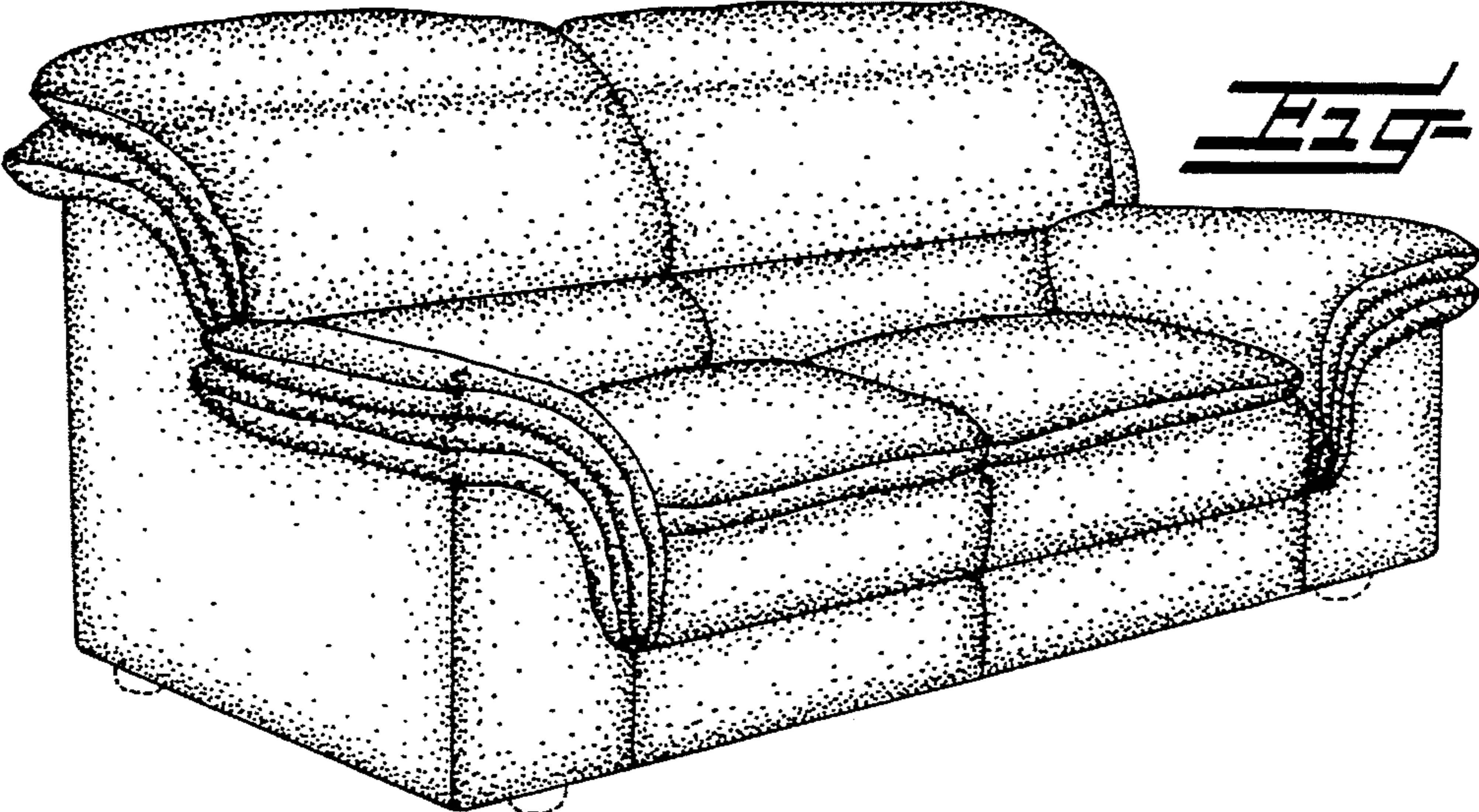


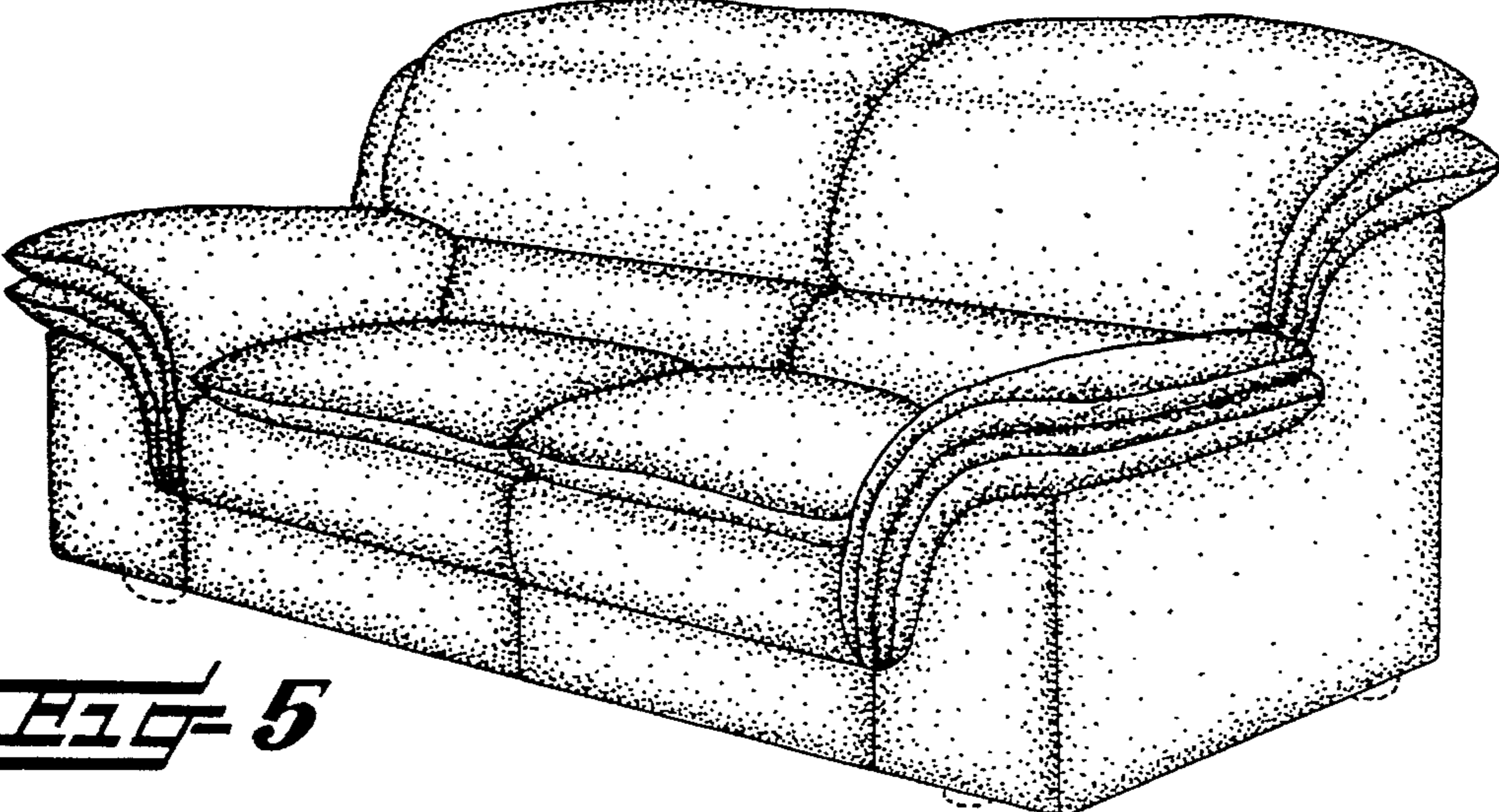
FIG. 2



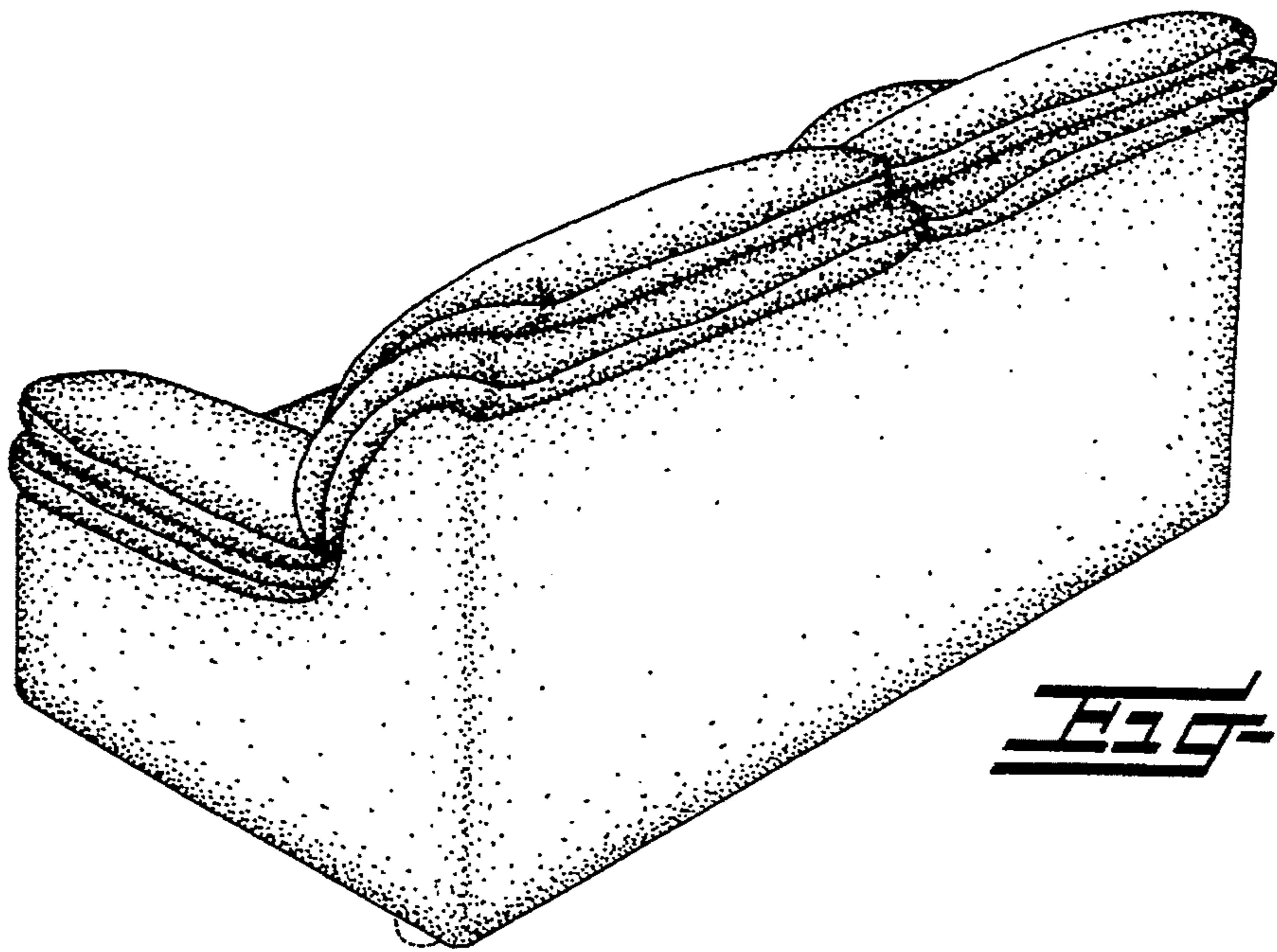
**FIG-3**



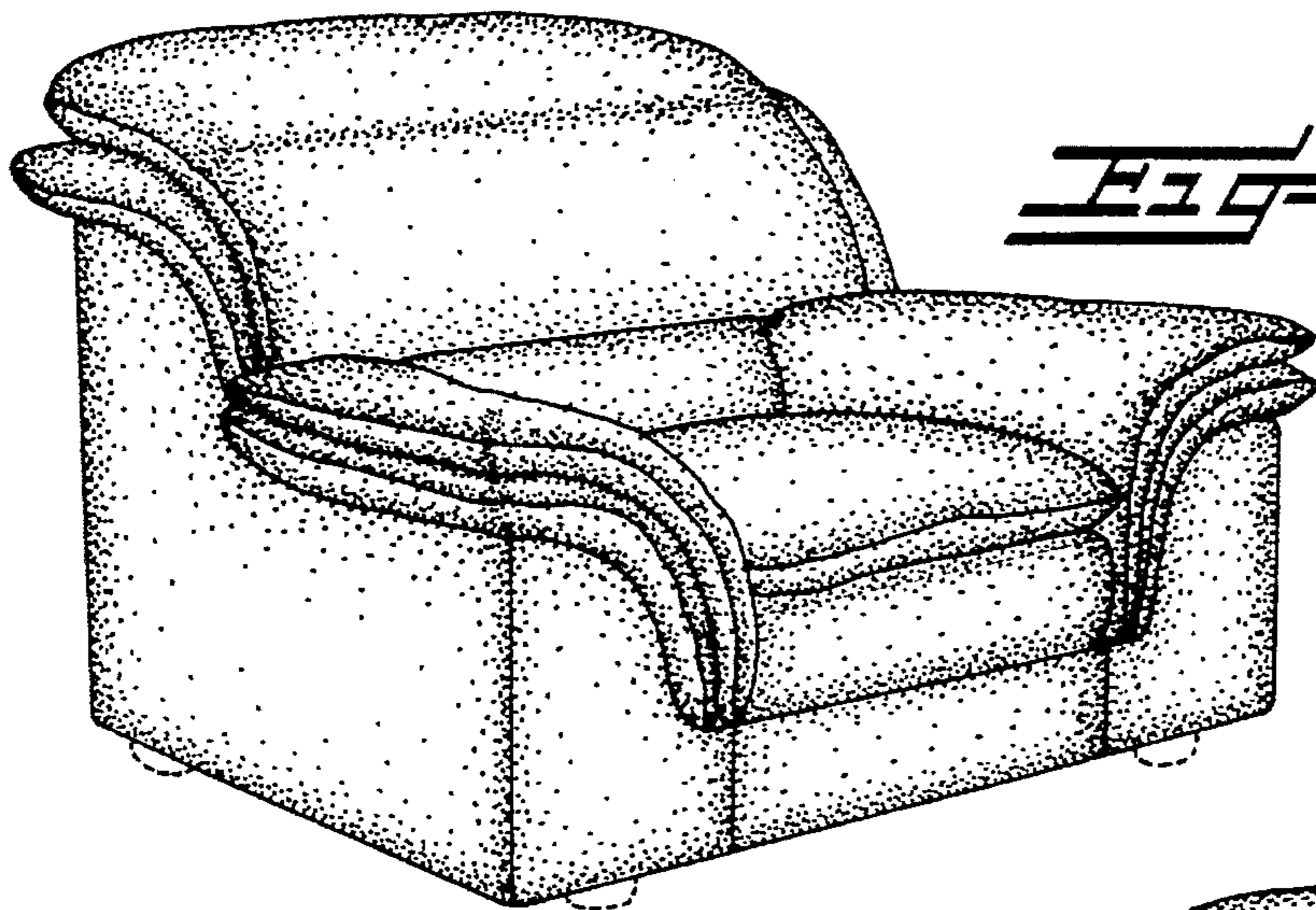
**FIG-4**



**FIG-5**

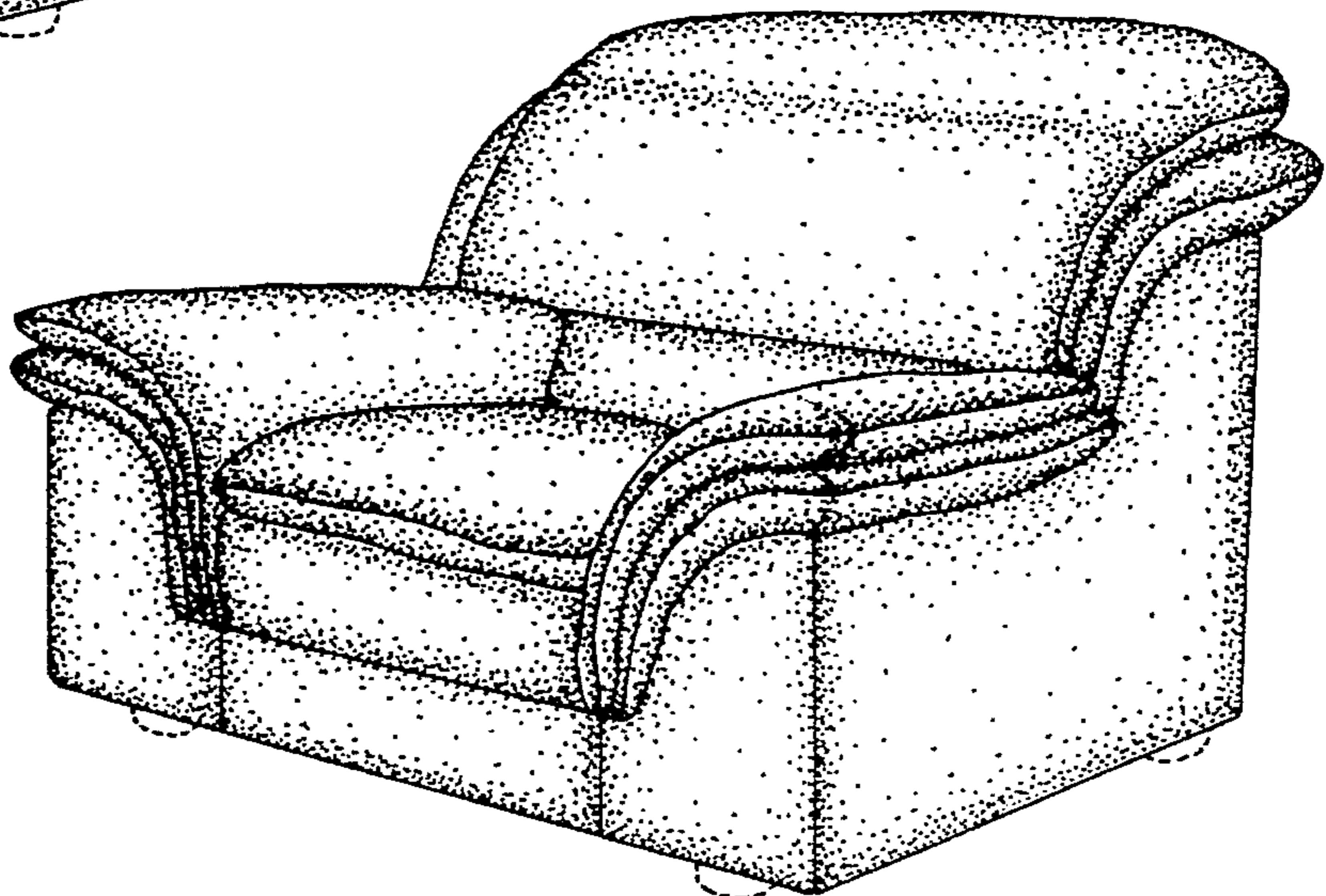


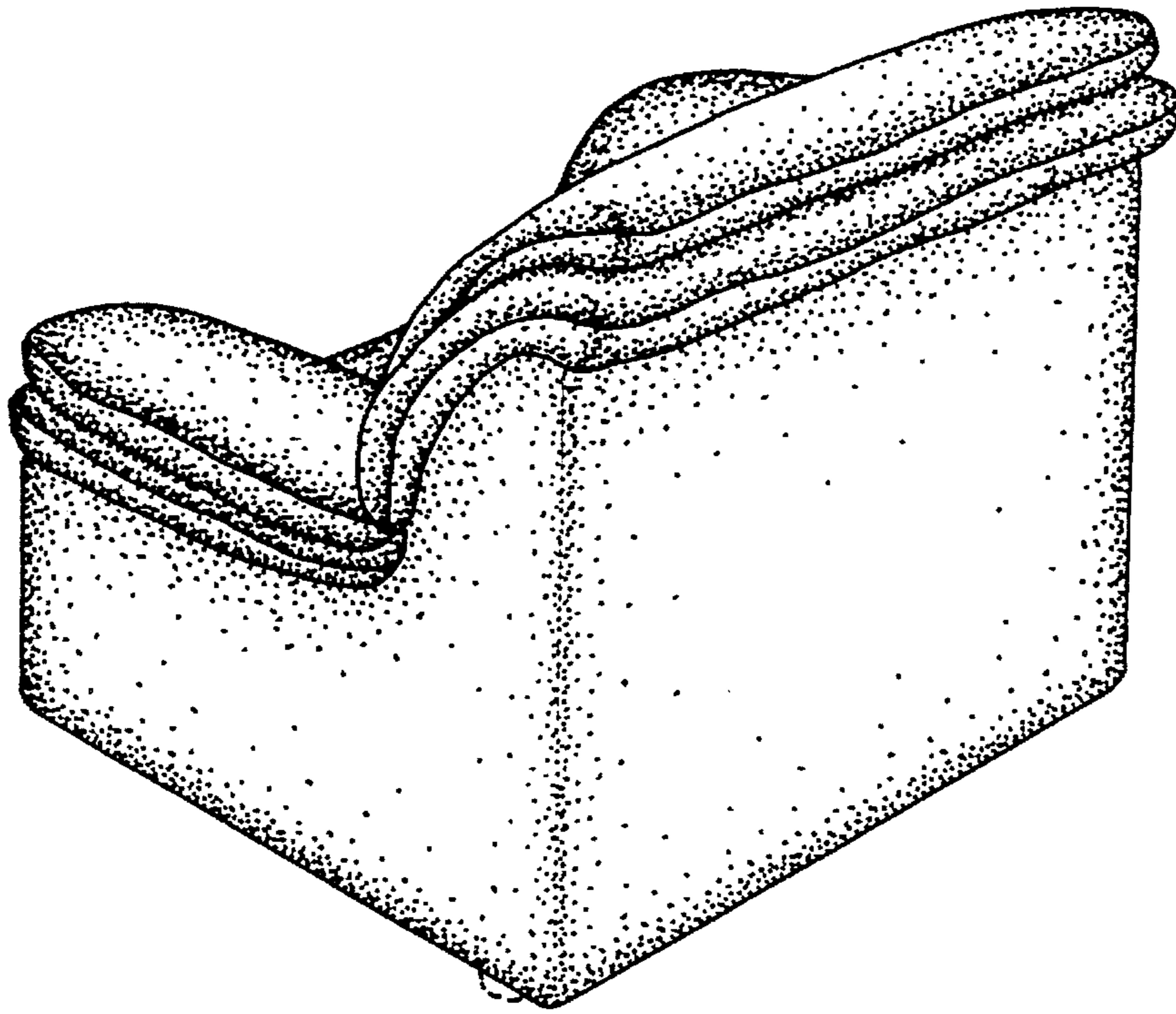
**FIG-6**



**FIG-7**

**FIG-8**





**FIG. 9**