



US00D362757S

United States Patent [19]

[11] Patent Number: **Des. 362,757**

Sayih et al.

[45] Date of Patent: ****Oct. 3, 1995**

[54] **BABY CARRIER**

3,794,317	2/1974	Barnett	297/274 X
4,471,767	9/1984	Guimond	.	
4,873,735	10/1989	Fermaglich	.	
4,948,120	8/1990	Krueger	.	

[76] Inventors: **Patricia L. Sayih; James Sayih, III**, both of 19233 NW. 86th Ave., Miami, Fla. 33015

Primary Examiner—Janice E. Seeger
Attorney, Agent, or Firm—Terry M. Gernstein

[**] Term: **14 Years**

[57] **CLAIM**

[21] Appl. No.: **22,326**

The ornamental design for a baby carrier, as shown and described.

[22] Filed: **May 3, 1994**

[52] U.S. Cl. **D6/344; D6/333; D6/347**

[58] Field of Search **D6/333, 334, 344, D6/347, 390, 386, 339; 297/274, 275**

DESCRIPTION

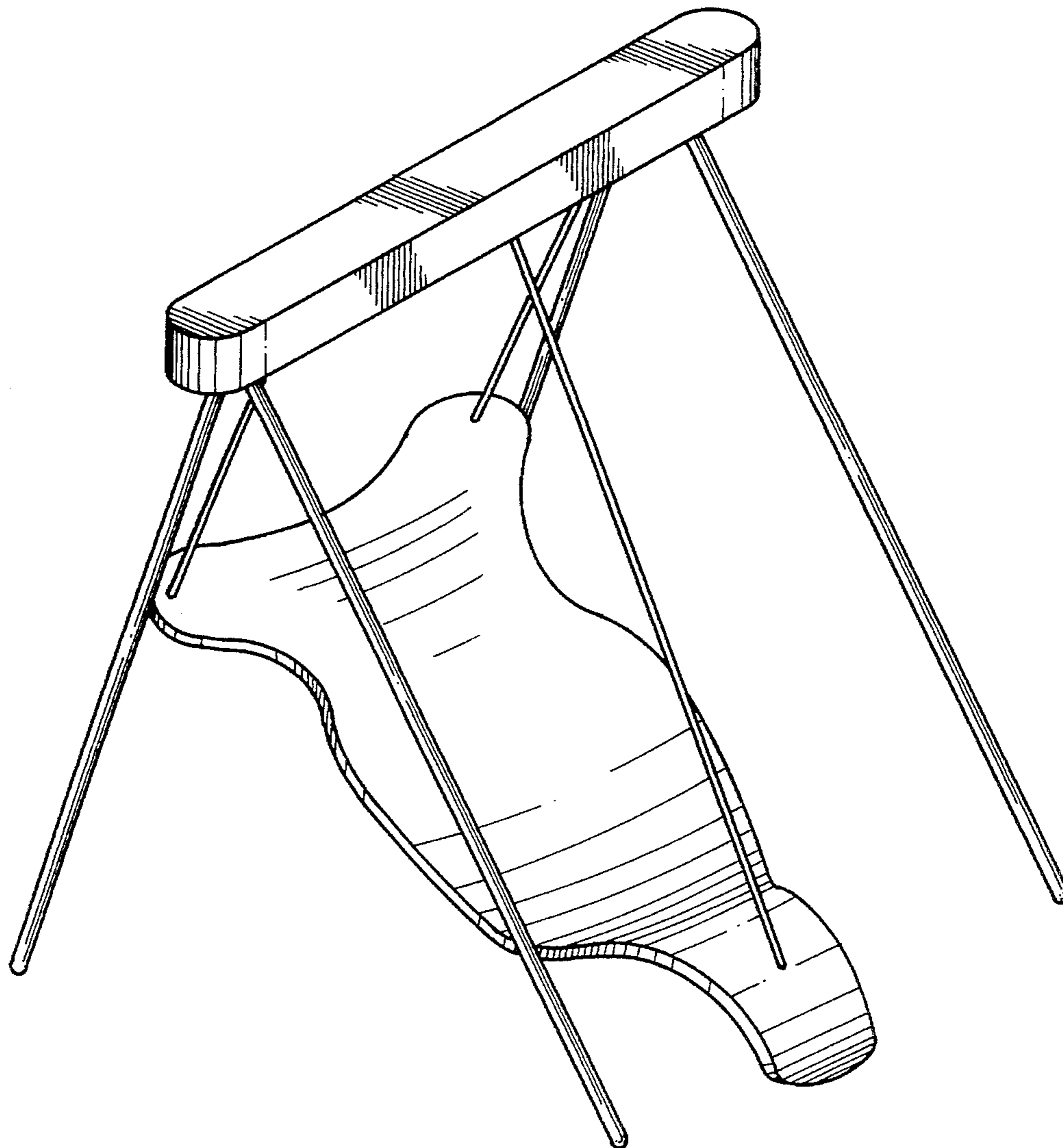
FIG. 1 is an exploded perspective view of the baby carrier showing our new design;
FIG. 2 is a front elevational view thereof;
FIG. 3 is a rear elevational view thereof;
FIG. 4 is a side elevational view thereof, the side opposite being a mirror image of the side shown in FIG. 4;
FIG. 5 is a top plan view thereof; and,
FIG. 6 is a bottom plan view thereof.

[56] **References Cited**

U.S. PATENT DOCUMENTS

D. 228,268	9/1973	Saint	D6/339 X
D. 284,144	6/1986	Pedersen	D6/374
D. 293,046	12/1987	Riehm	D6/333 X
D. 341,965	12/1993	Chapman	D6/501
D. 355,013	1/1995	Schechner	D6/344 X
3,128,076	4/1964	DiPasqua	.	

1 Claim, 4 Drawing Sheets



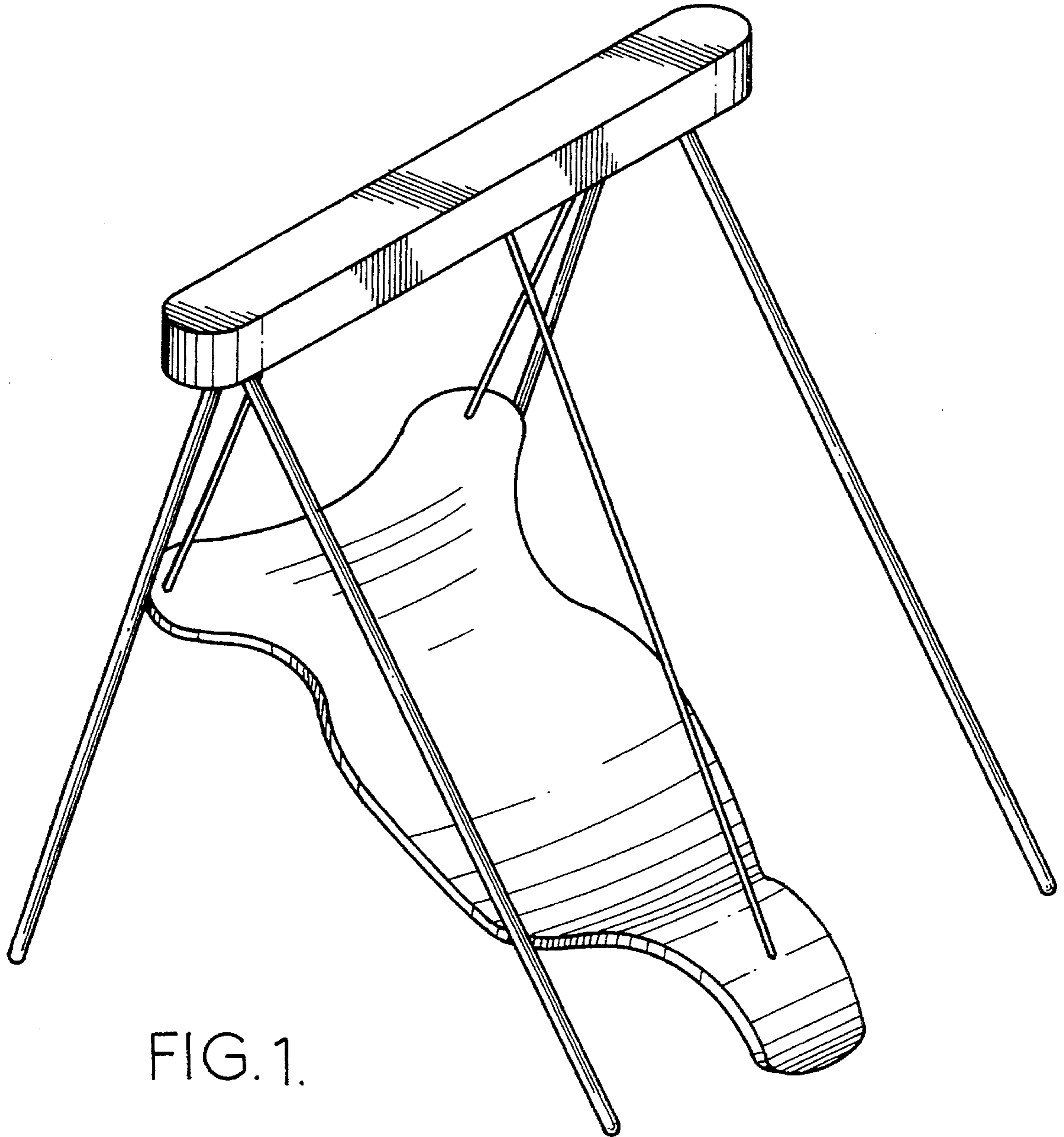


FIG. 1.

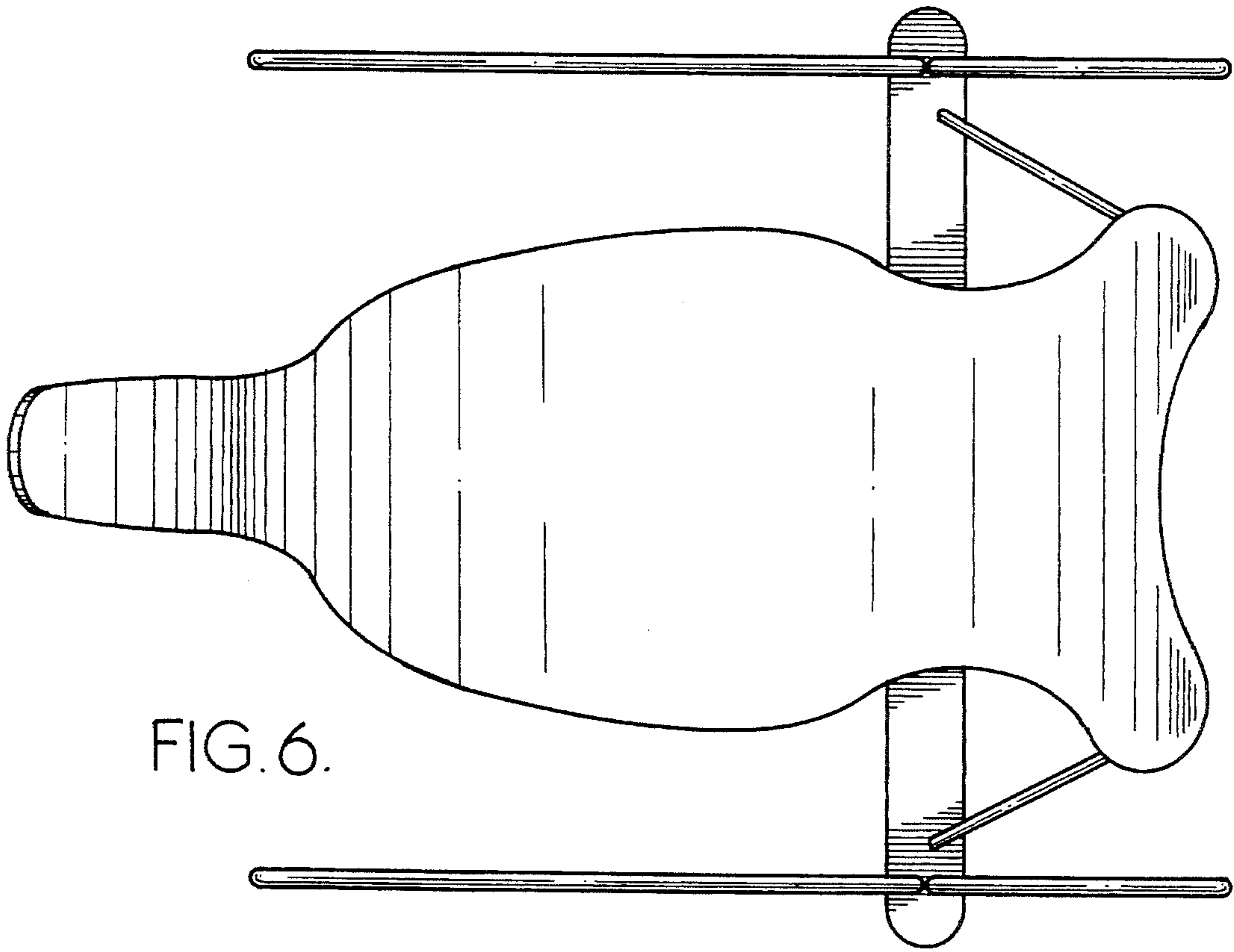


FIG. 6.

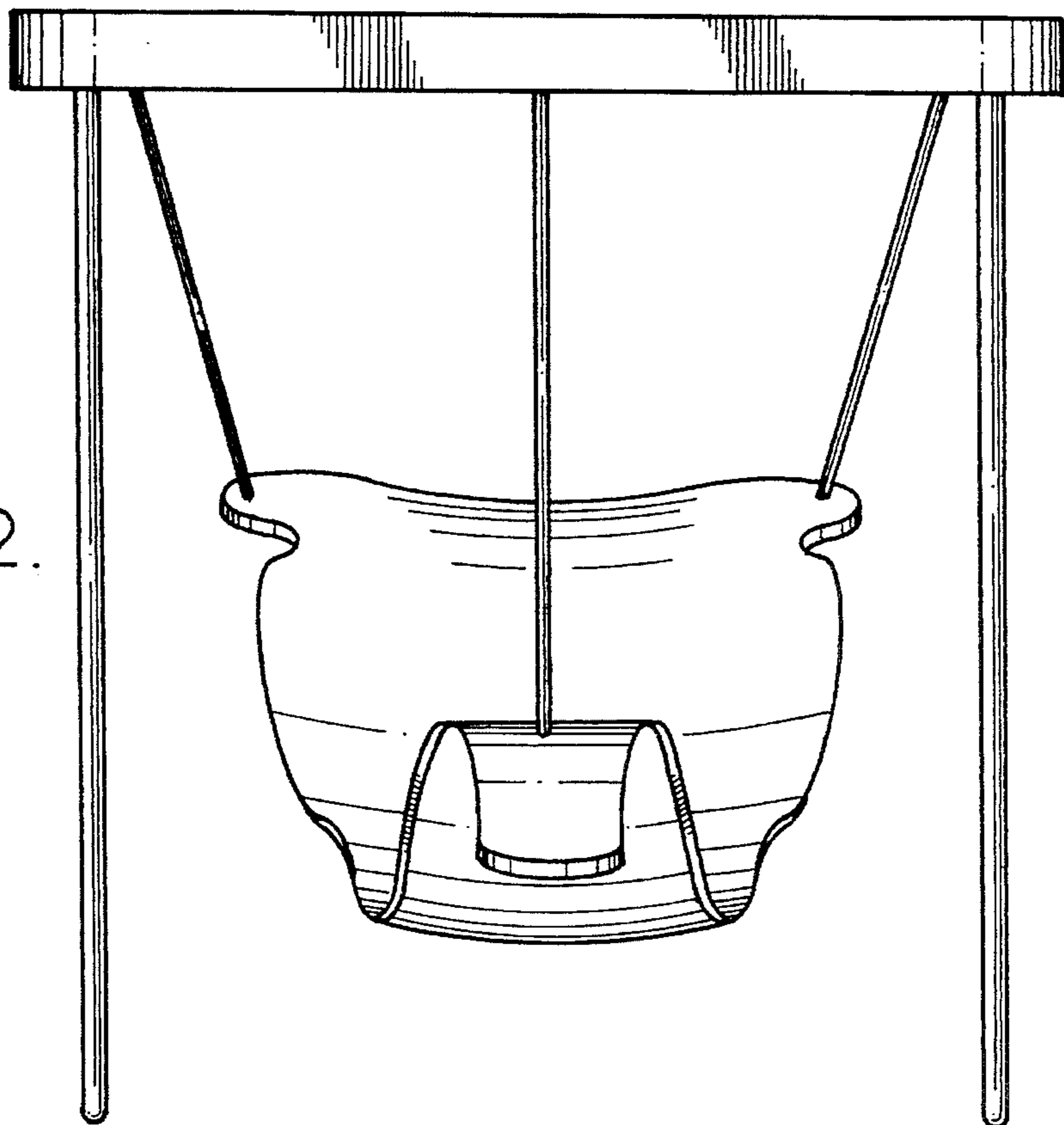
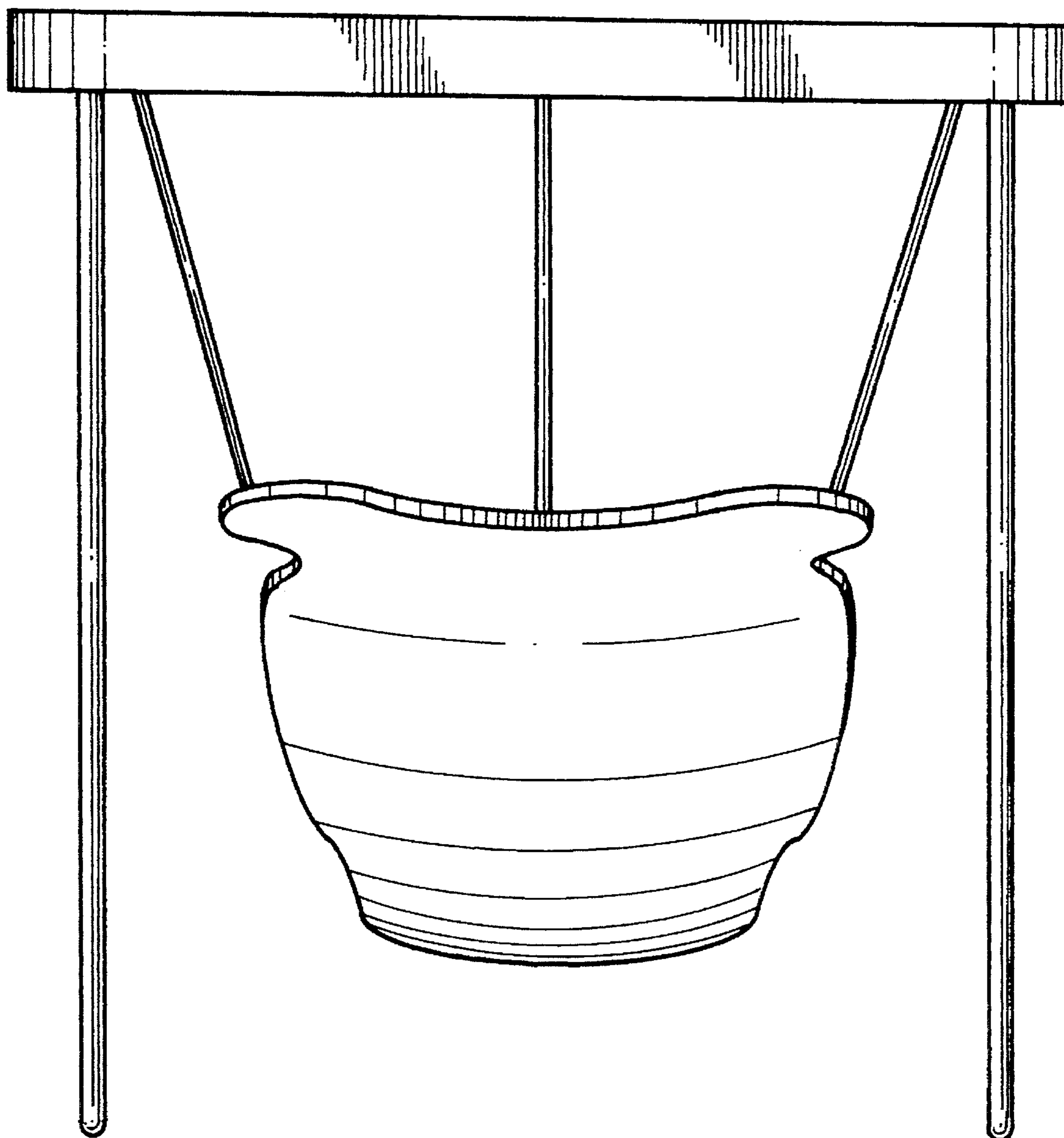


FIG. 2.

FIG. 3.



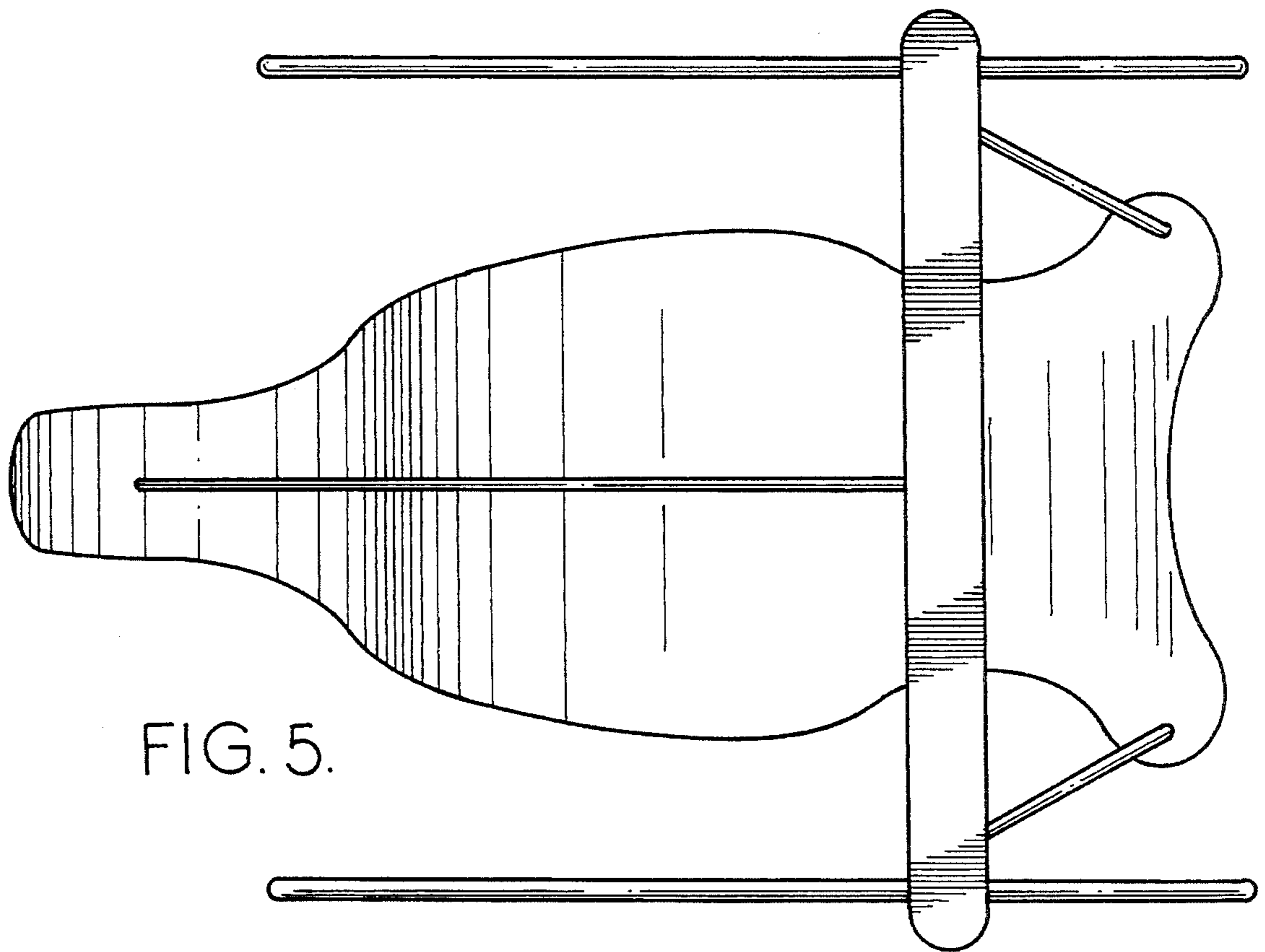


FIG. 5.

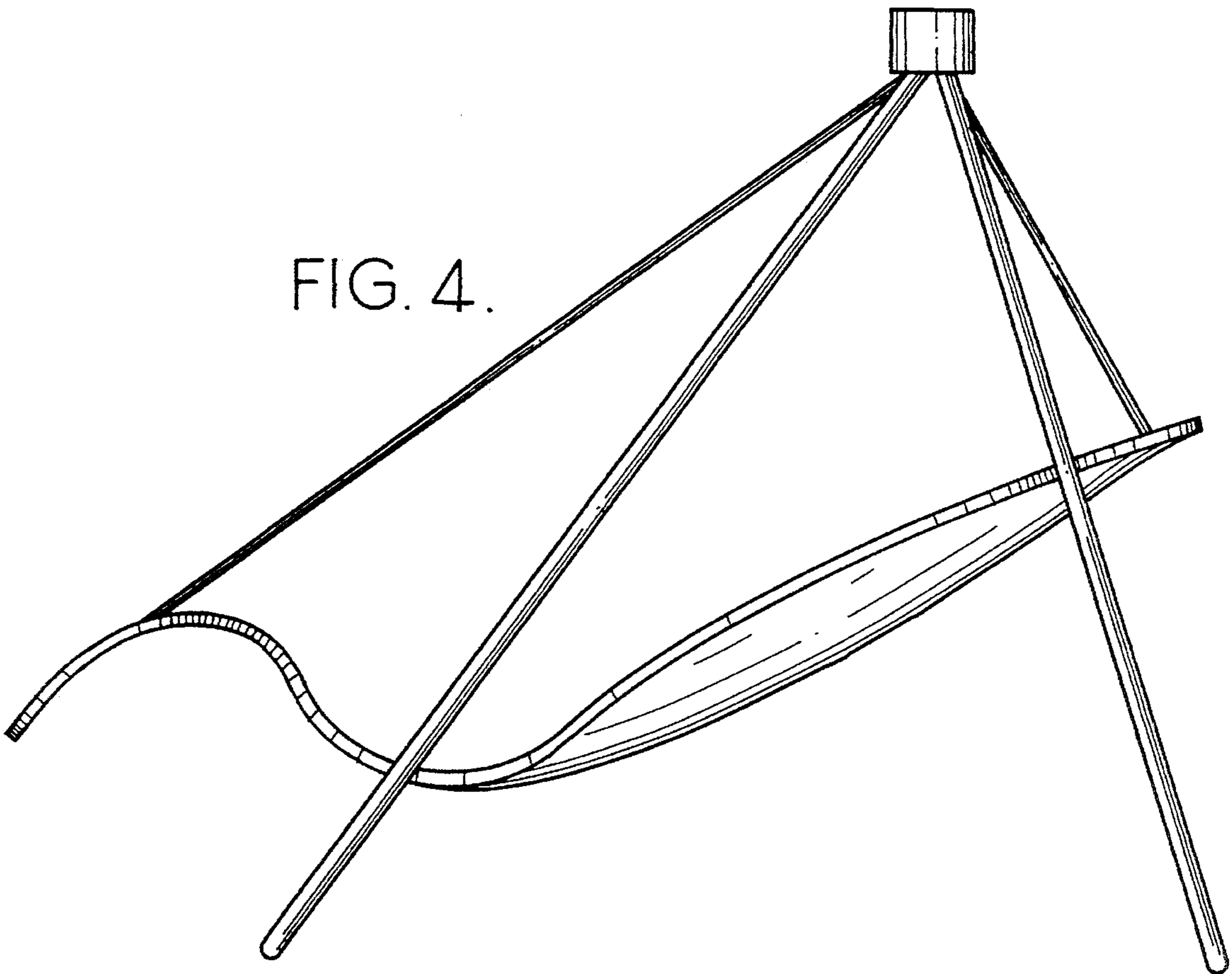


FIG. 4.