



US00D362755S

United States Patent [19]

Ehrmann

[11] Patent Number: **Des. 362,755**

[45] Date of Patent: ****Oct. 3, 1995**

[54] **SPORTS HAT RACK FOR RETAINING HOCKEY CAPS**

[76] Inventor: **Ronald S. Ehrmann**, 5808 Devonshire Dr., Bethesda, Md. 20816

[**] Term: **14 Years**

[21] Appl. No.: **8,999**

[22] Filed: **May 28, 1993**

[52] U.S. Cl. **D6/316; D6/320; D6/552; D6/563; D6/569**

[58] Field of Search **D6/316, 320, 552, D6/571, 563, 569; D21/27; 211/30, 32, 87**

D. 325,474	4/1992	Jackson	D6/316
D. 326,366	5/1992	Fung	D6/320
D. 328,193	7/1992	Gossett .	
5,002,190	3/1991	Moreland .	
5,038,941	8/1991	Bastiaansen .	
5,240,123	8/1993	Hawk	211/32
5,295,588	3/1994	Neirinckx	211/32

Primary Examiner—B. J. Bullock
Attorney, Agent, or Firm—Hoffman, Wasson & Gitler

[57] CLAIM

The ornamental design for a sports hat rack for retaining hockey caps, as shown and described.

DESCRIPTION

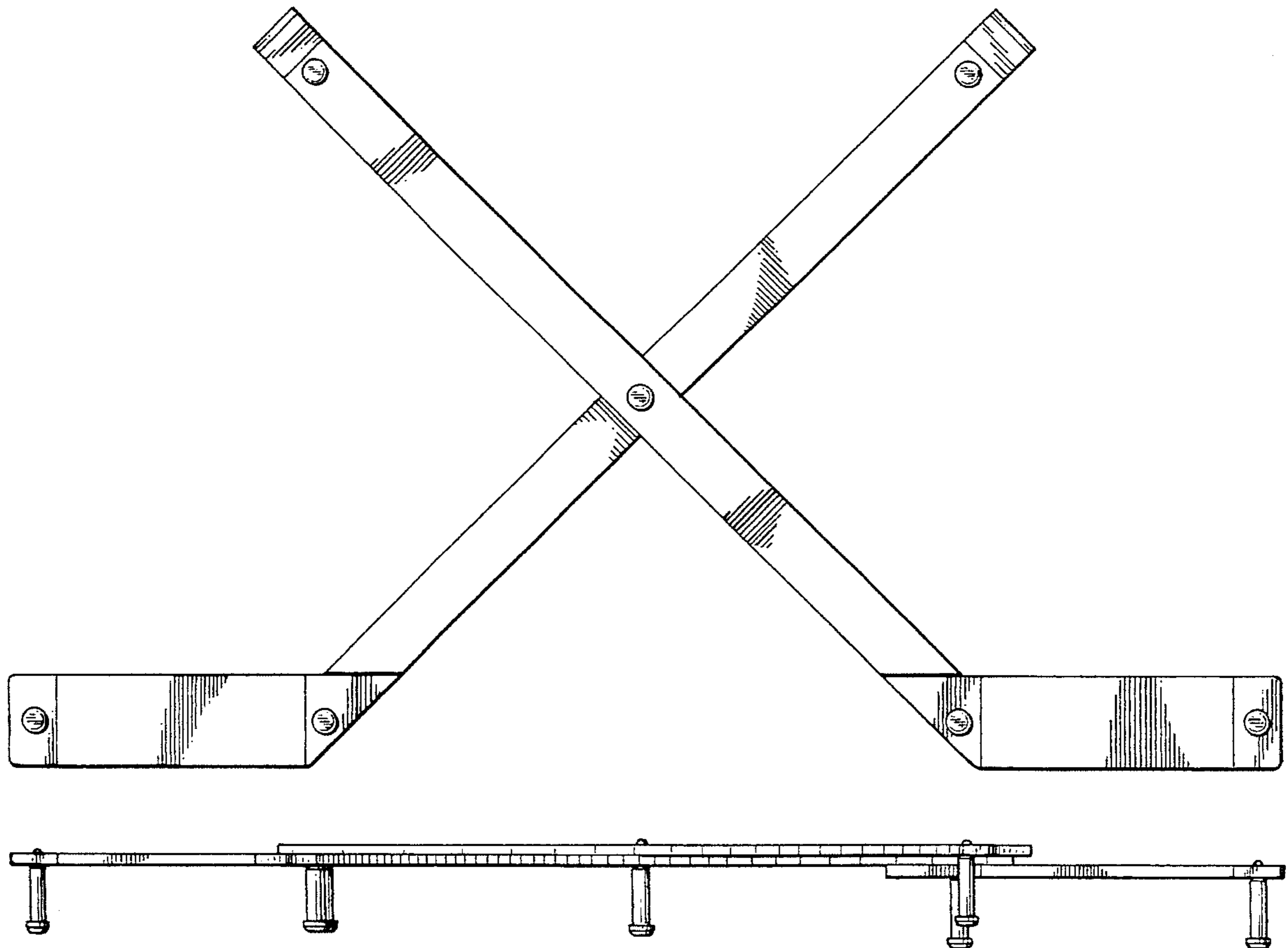
FIG. 1 is a front elevational view of a sports hat rack for retaining hockey caps embodying my new design; FIG. 2 is a top plan view of the sports hat rack of FIG. 1; and, FIG. 3 is a right side elevational view thereof, the left side being substantially a mirror image. The rear and bottom of the sports hat rack for hockey caps are unornamented.

1 Claim, 1 Drawing Sheet

[56] References Cited

U.S. PATENT DOCUMENTS

D. 56,674	11/1920	Miller .	
D. 98,383	11/1935	Brothers .	
D. 101,874	11/1936	Jeffries .	
D. 135,467	2/1943	Waterman .	
D. 285,147	8/1986	LeCocq, Jr. .	
D. 291,154	8/1987	Owen	D6/320
D. 324,793	3/1992	Johnson	D6/552



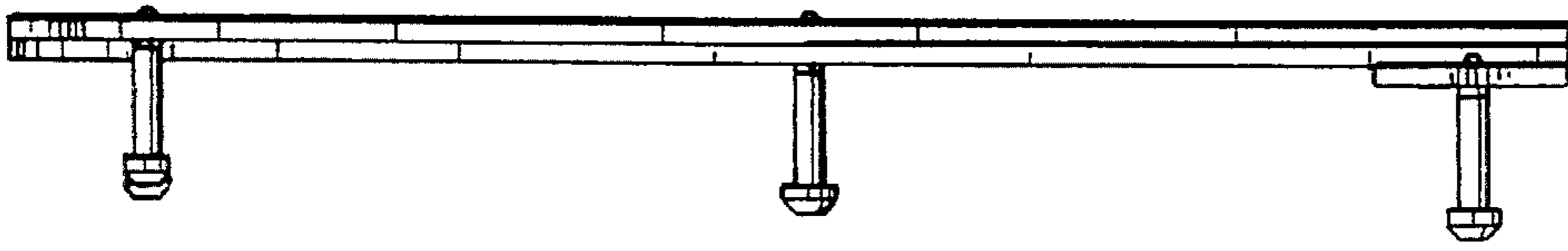


FIG. 3

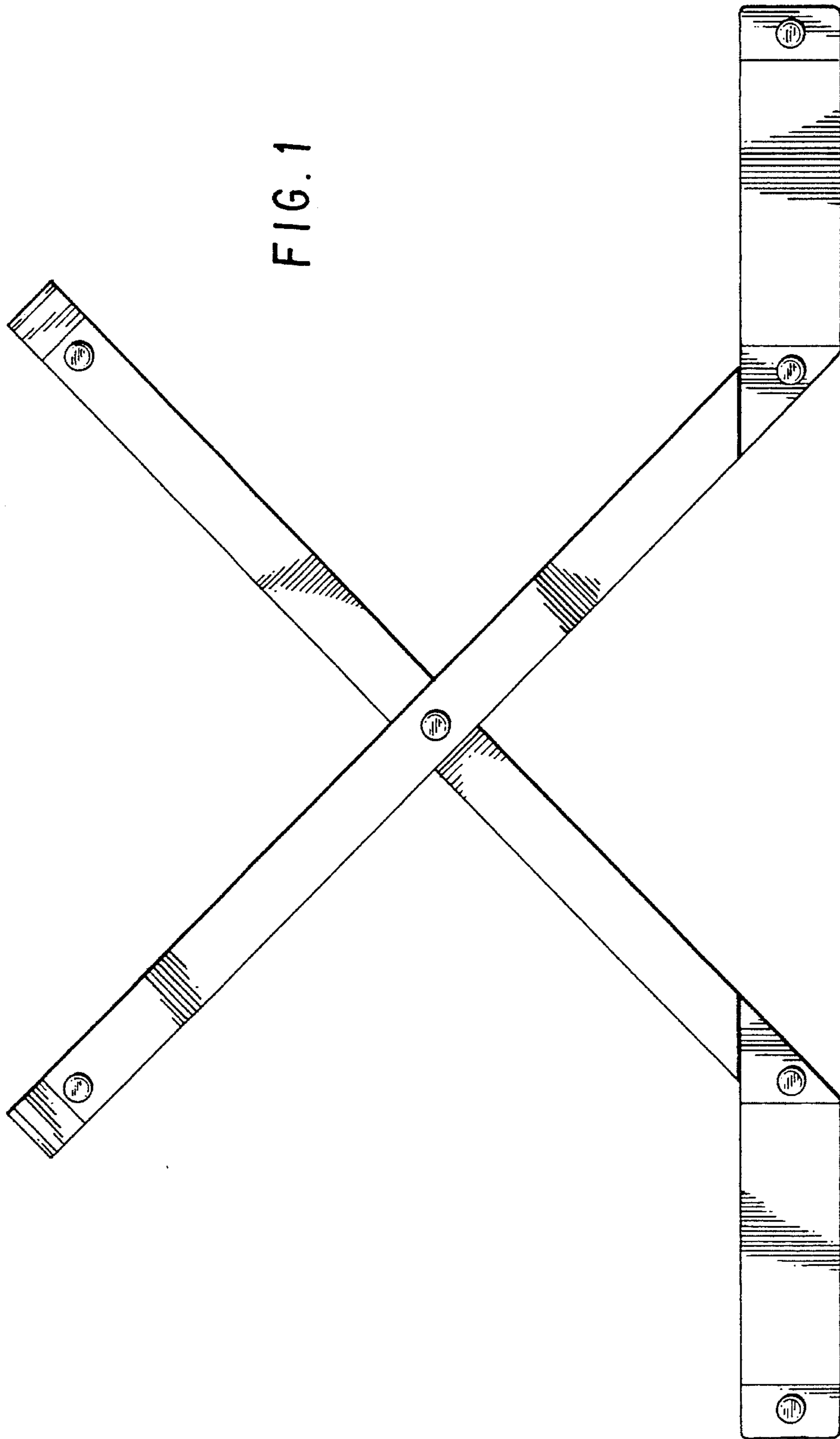


FIG. 1

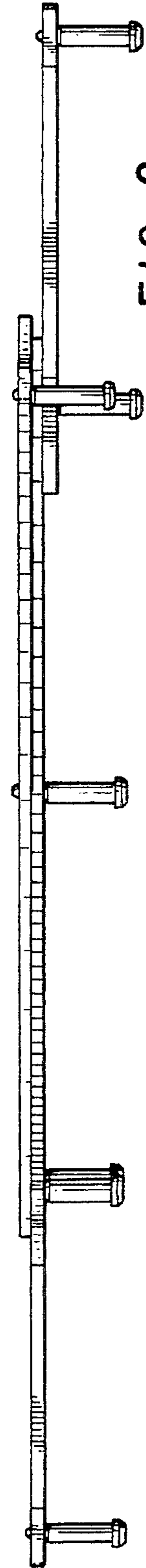


FIG. 2