



US00D362753S

United States Patent [19]

[11] Patent Number: **Des. 362,753**

Bland

[45] Date of Patent: ****Oct. 3, 1995**

[54] **COMBINED FISH AND FISHING ACCESSORY CONTAINER**

[76] Inventor: **Randy O. Bland**, Rte. 2, Box 2471, Burgaw, N.C. 28425

[**] Term: **14 Years**

[21] Appl. No.: **1,424**

[22] Filed: **Nov. 13, 1992**

[52] U.S. Cl. **D3/260; D22/136**

[58] **Field of Search** D22/136; D3/260, D3/221, 904, 905; 224/920, 241; 248/214, 223.4, 311.2; 206/373, 315.11; 43/54.1, 55, 26, 25.2; D12/317, 420, 423, 414

2,721,718 10/1955 Wagner 43/55
 2,800,741 7/1957 Adams 43/55
 3,578,282 5/1971 Olsen 248/214
 4,059,248 11/1977 Kuntz 248/214

FOREIGN PATENT DOCUMENTS

4927317 5/1953 Canada 43/55

Primary Examiner—Doris V. Coles
Attorney, Agent, or Firm—Terry M. Gernstein

[57] CLAIM

The ornamental design for a combined fish and fishing accessory container, as shown and described.

DESCRIPTION

FIG. 1 is a top, front and end perspective view of the combined fish and fishing accessory container showing my new design;

FIG. 2 is a front elevational view thereof;

FIG. 3 is a rear elevational view thereof;

FIG. 4 is an end elevational view thereof, the end opposite being a mirror image of the end shown in FIG. 4;

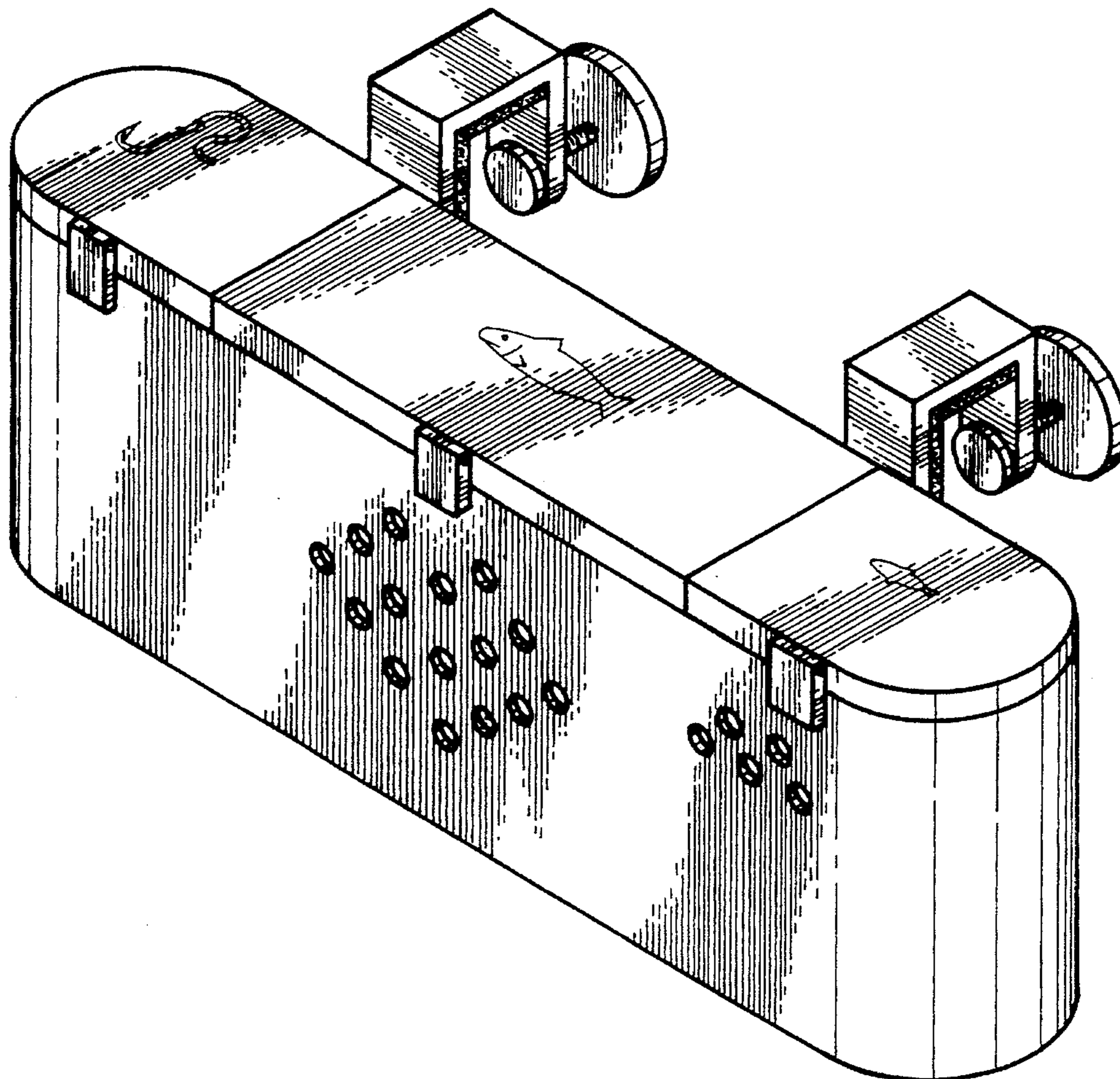
FIG. 5 is a top plan view thereof; and,

FIG. 6 is a bottom plan view thereof.

1 Claim, 3 Drawing Sheets

[56] **References Cited**
 U.S. PATENT DOCUMENTS

D. 316,330	4/1991	Vicento	D3/905	X
D. 320,504	10/1991	Mroczka	D22/136	X
D. 326,893	6/1992	Kolesar	D22/136	
1,076,542	10/1913	Balch, Jr.	43/55	
1,150,776	9/1915	Lamb	43/55	
2,098,636	11/1937	Smith et al.	43/54.1	
2,558,124	6/1951	Burden	43/57.1	
2,603,549	7/1952	Tessmer	43/57.1	
2,711,050	6/1955	McIntyre	43/57.1	



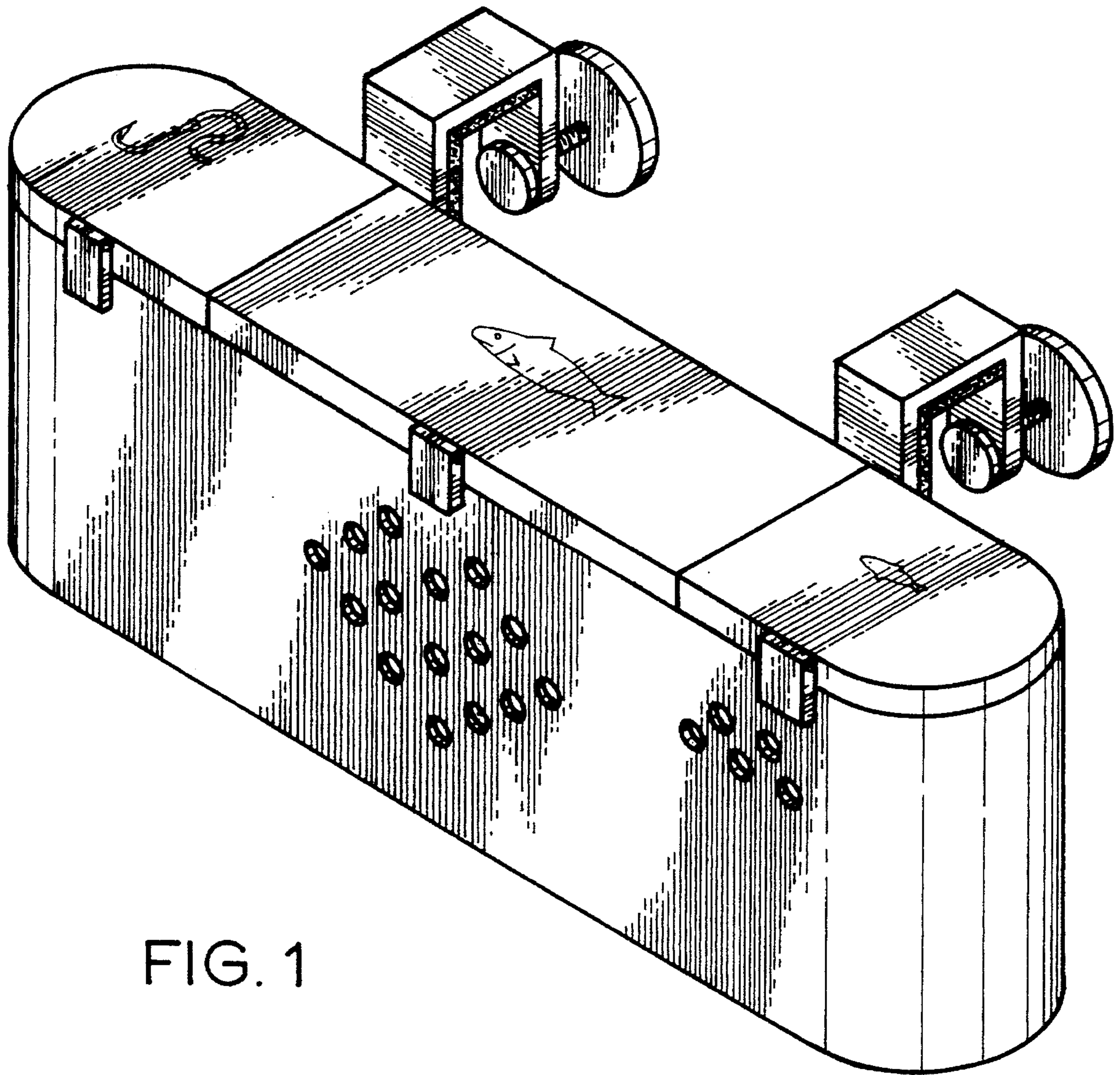


FIG. 1

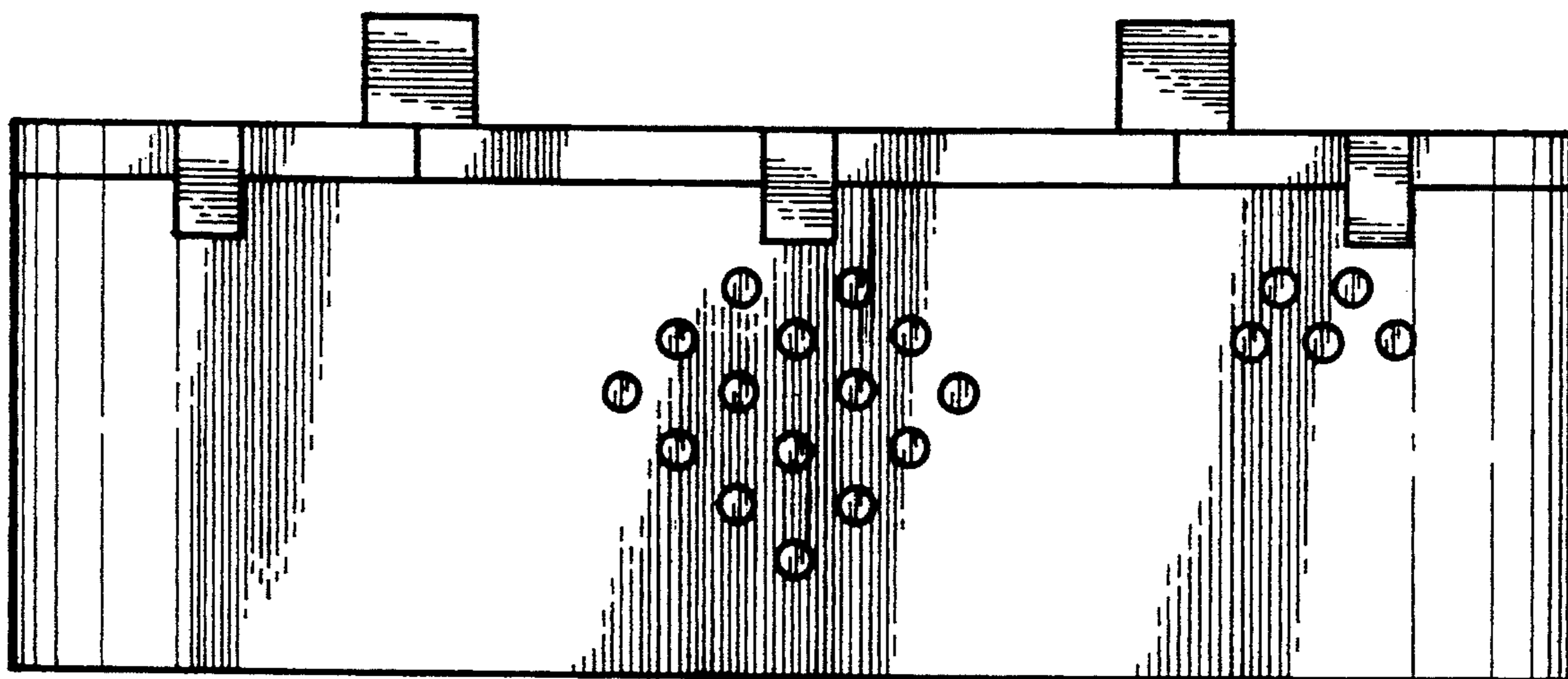


FIG. 2

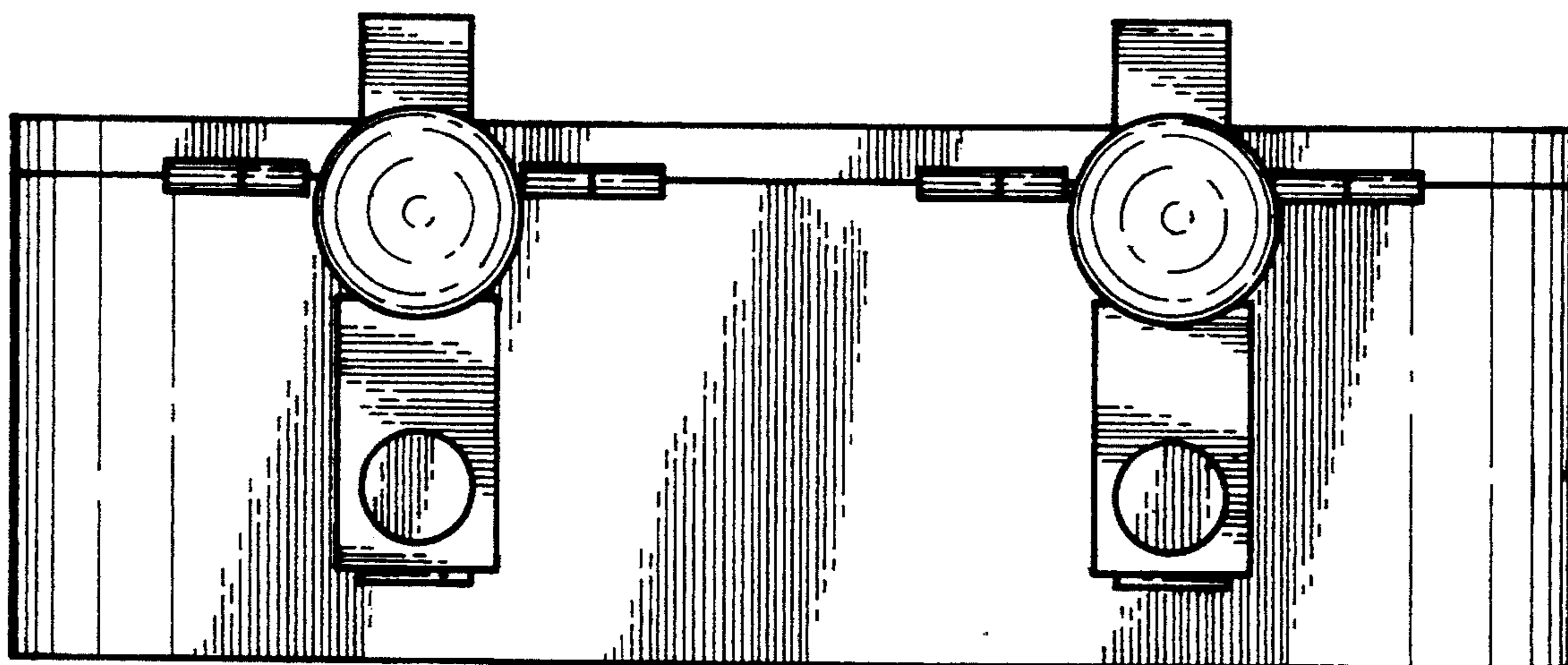


FIG. 3

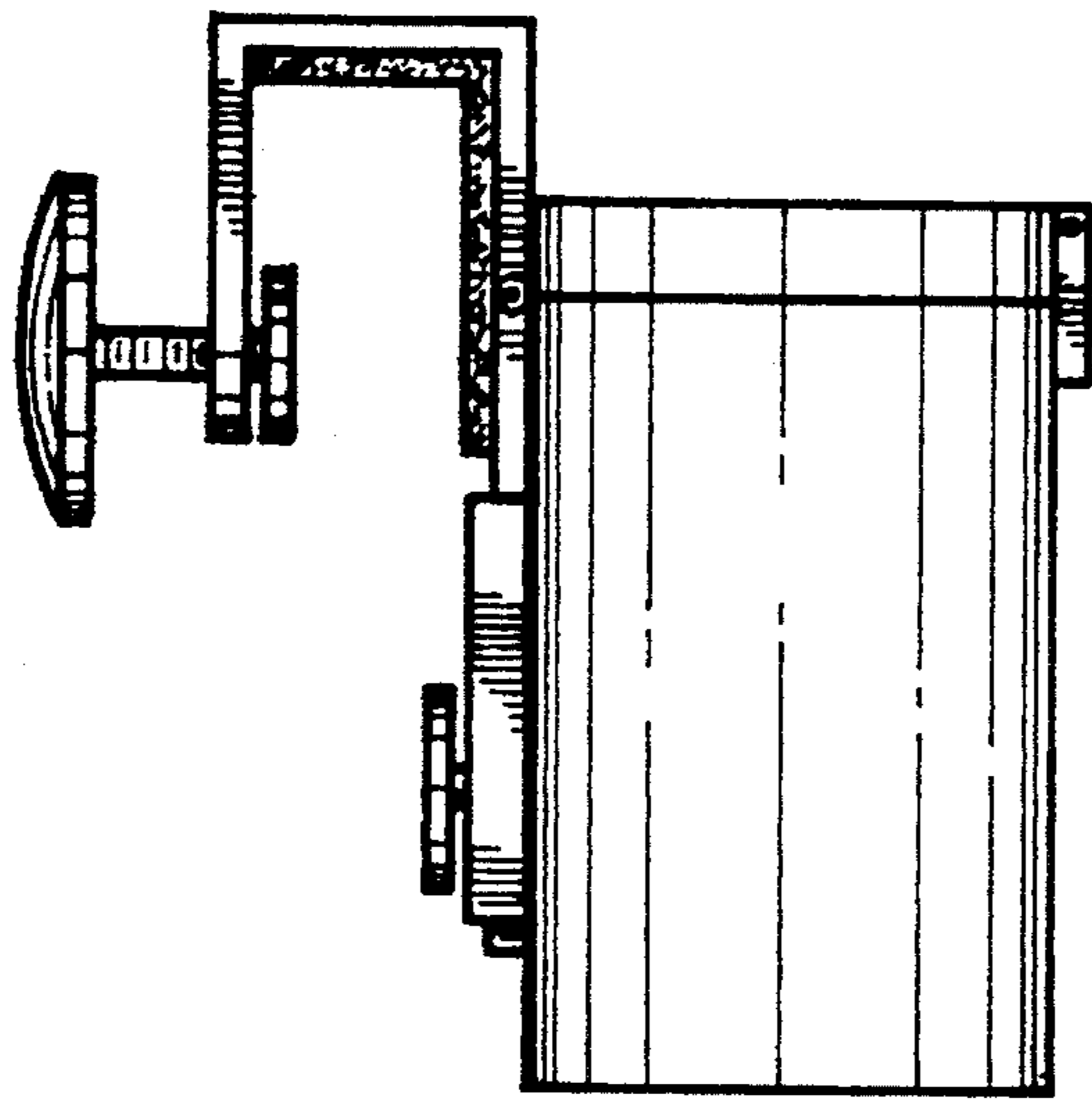


FIG. 4

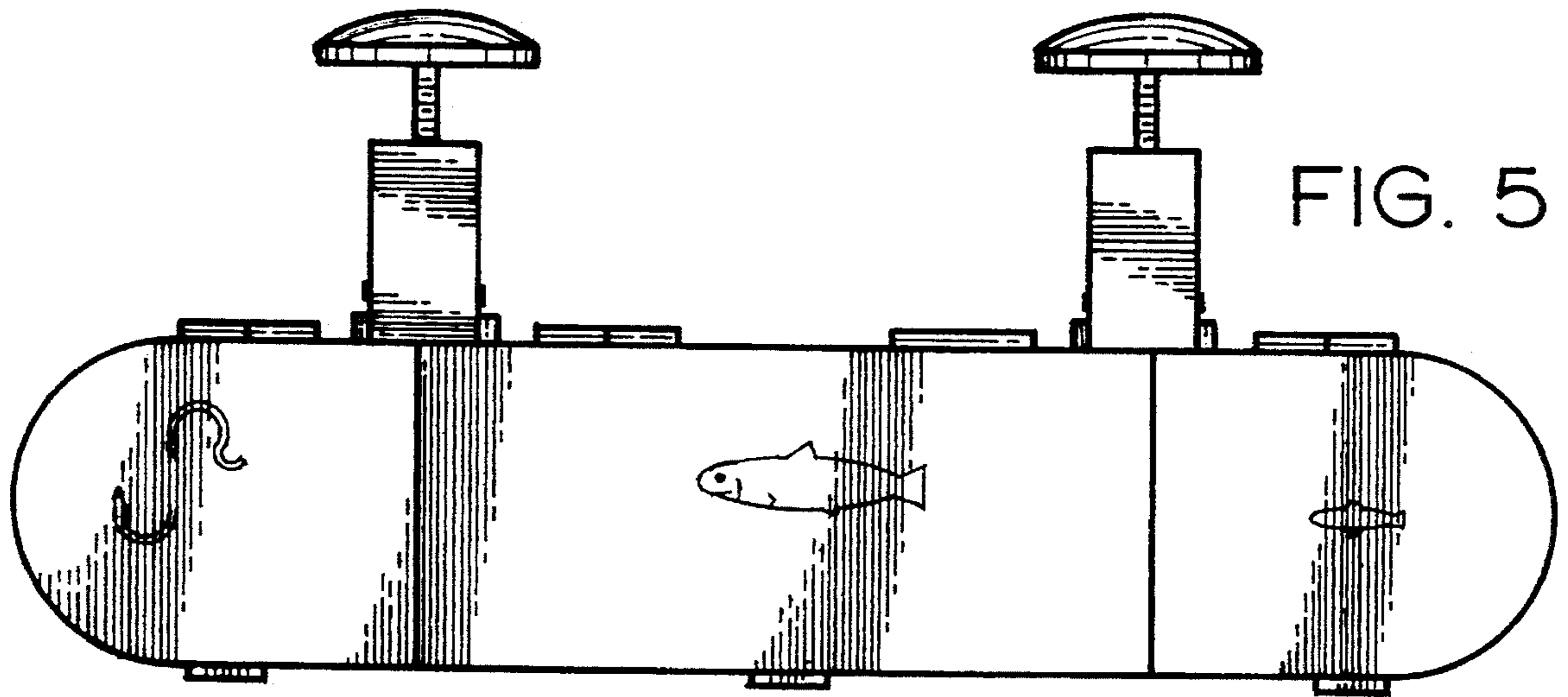


FIG. 5

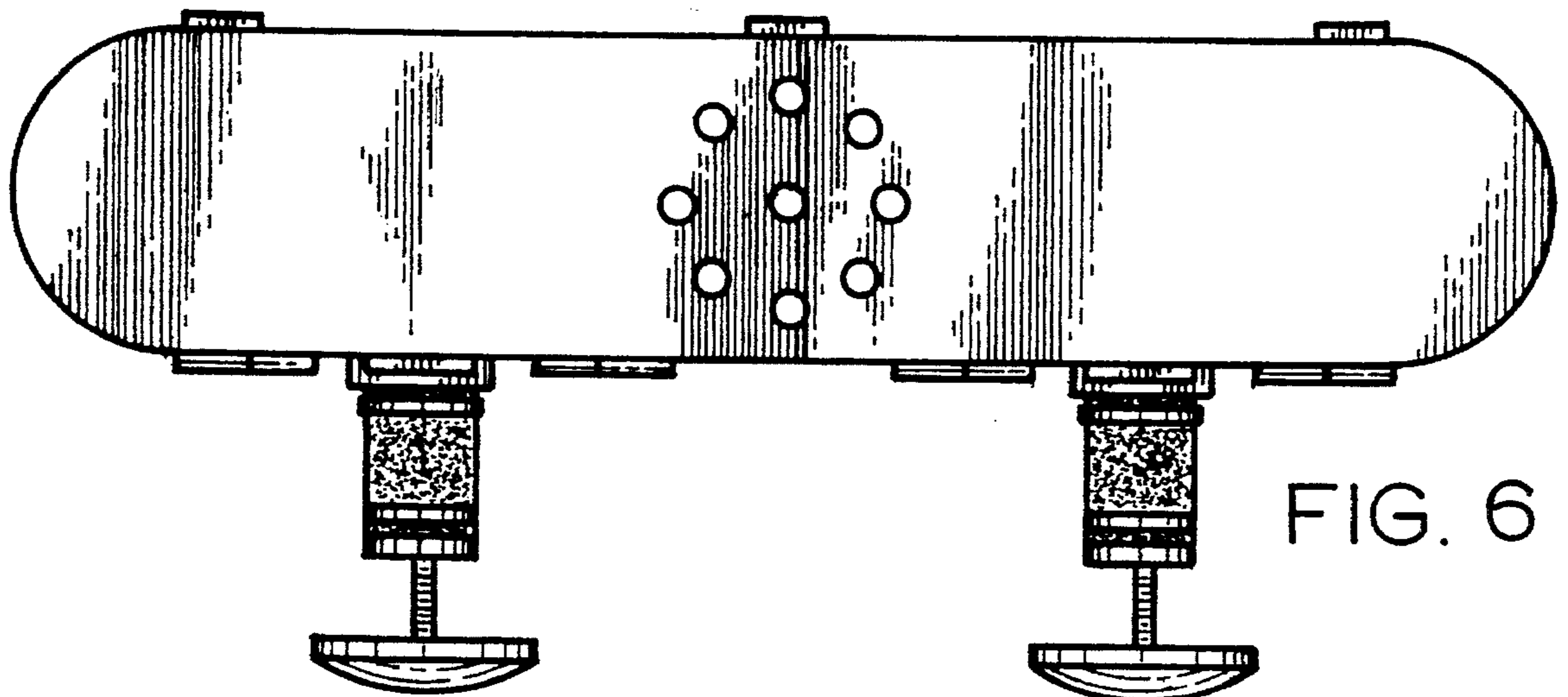


FIG. 6