



US00D362741S

United States Patent [19]
Hollinger

[11] **Patent Number:** **Des. 362,741**
[45] **Date of Patent:** ****Oct. 3, 1995**

[54] **BELT BUCKLE**

4,825,515 5/1989 Wolterstorff, Jr. 24/625
5,222,279 6/1993 Frano et al. 24/625

[75] Inventor: **Fred Hollinger**, Kings Park, N.Y.

Primary Examiner—Ted Shooman
Assistant Examiner—Paula Mortimer
Attorney, Agent, or Firm—Stanley J. Yavner

[73] Assignee: **E & B Giftware, Inc.**, Mt. Vernon, N.Y.

[**] Term: **14 Years**

[57] **CLAIM**

[21] Appl. No.: **27,040**

The ornamental design for a belt buckle, as shown and described.

[22] Filed: **Aug. 11, 1994**

DESCRIPTION

[52] U.S. Cl. **D2/639; D11/200**

[58] **Field of Search** D11/200, 201,
D11/202, 216, 218; D2/624, 625, 626, 627,
639; D3/327; 2/300, 308, 311; 24/170,
615, 633, 625

FIG. 1 is a front isometric view of a belt buckle showing my new design, the broken line showing of the belt is for illustrative purposes only and forms no part of the claimed design;

FIG. 2 is a top plan view thereof;

FIG. 3 is a front elevational view thereof;

FIG. 4 is a left side elevational view thereof;

FIG. 5 is a right side elevational view thereof;

FIG. 6 is a rear elevational view thereof; and,

FIG. 7 is a top, right side and front isometric view of the design, similar to FIG. 1, but showing the design in disassembled orientation.

[56] **References Cited**

U.S. PATENT DOCUMENTS

D. 340,886	11/1993	Anscher	D11/200	X
D. 349,262	8/1994	Krauss	D11/200	X
D. 349,871	8/1994	Murai	D11/200	X
D. 352,680	11/1994	Matoba	D11/200	X
4,712,280	12/1987	Fildan	24/633	X
4,779,315	10/1988	Kohus	24/625	X
4,800,629	1/1989	Ikeda	24/170	

1 Claim, 3 Drawing Sheets

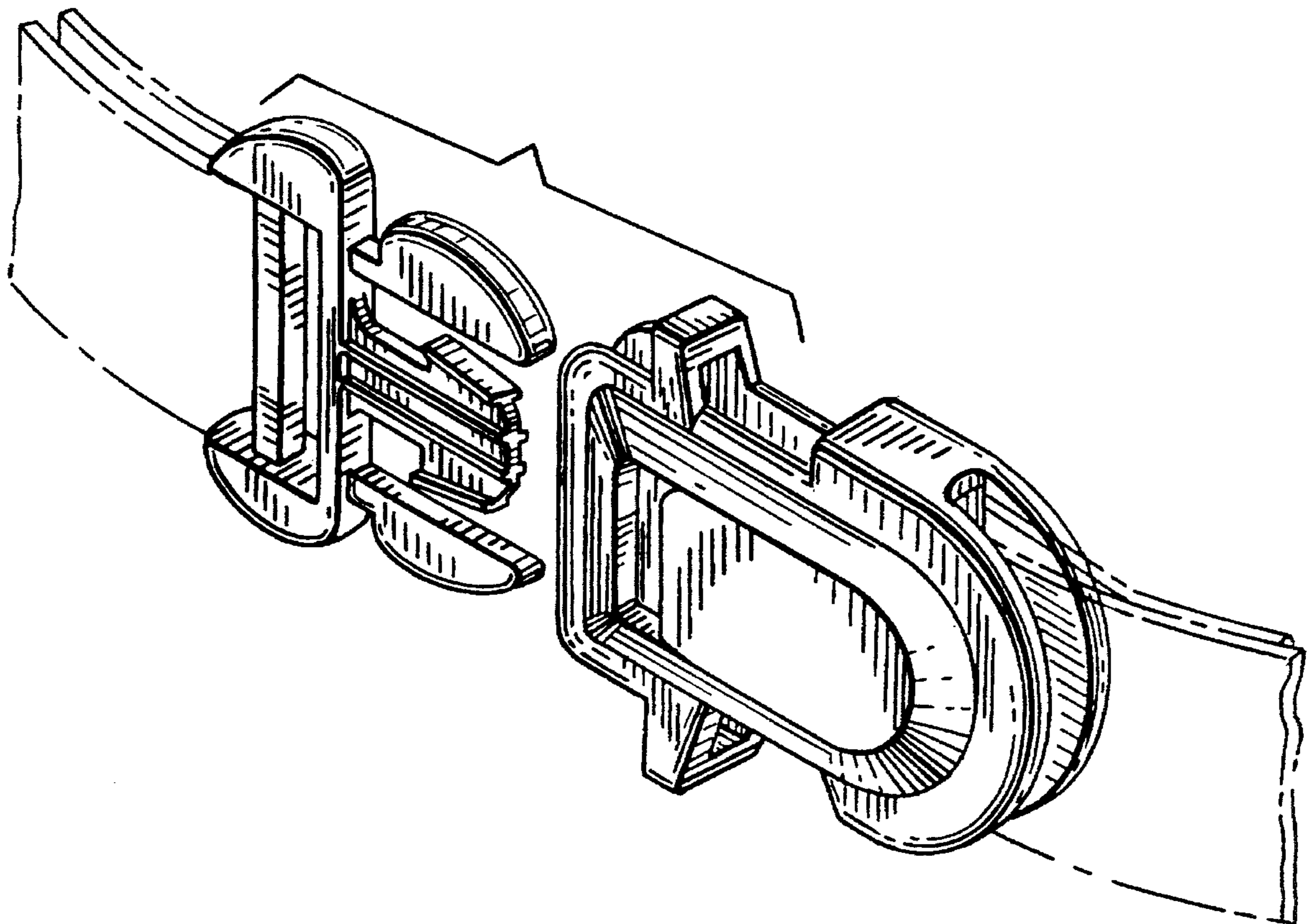


FIG. 1

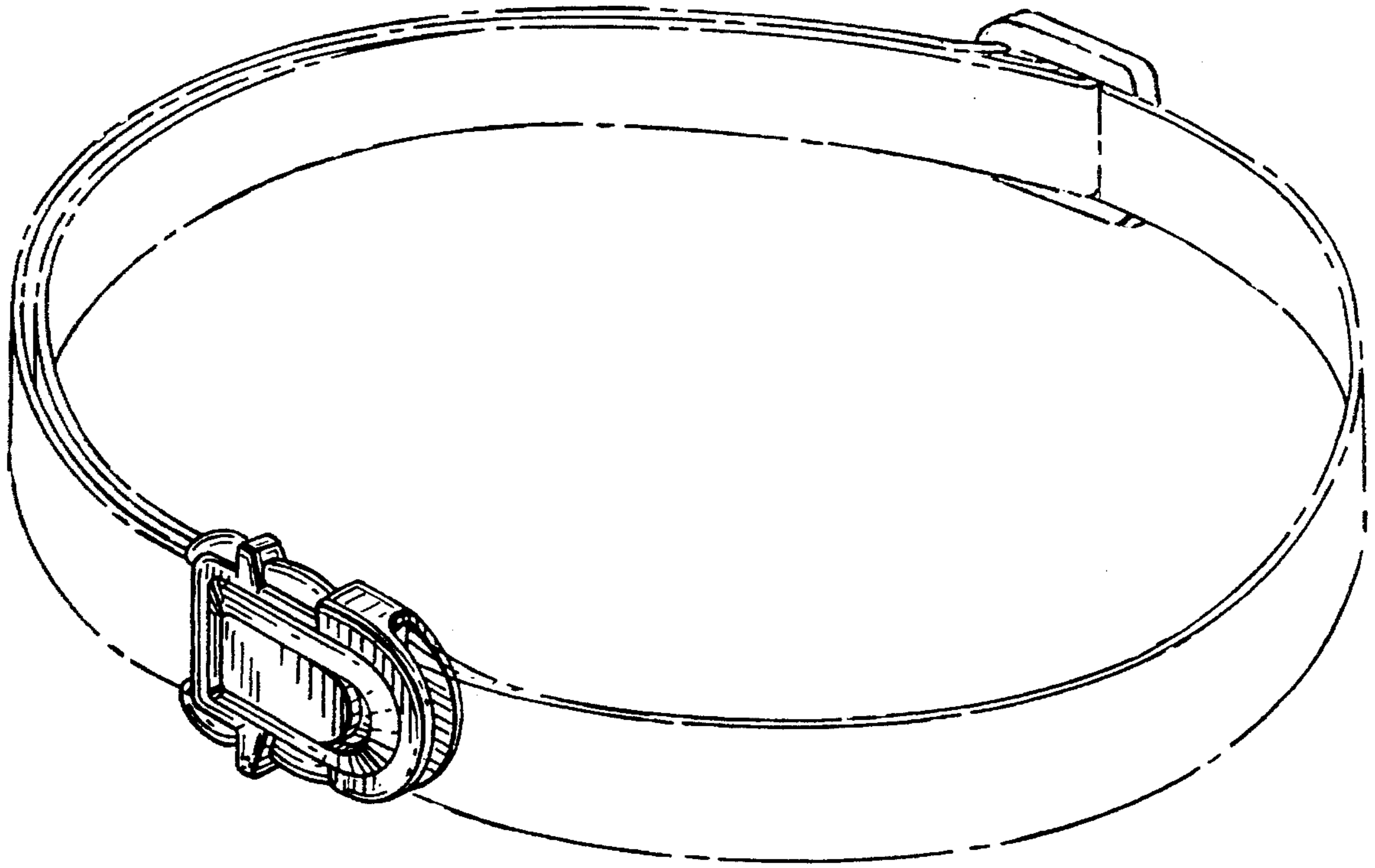


FIG. 2

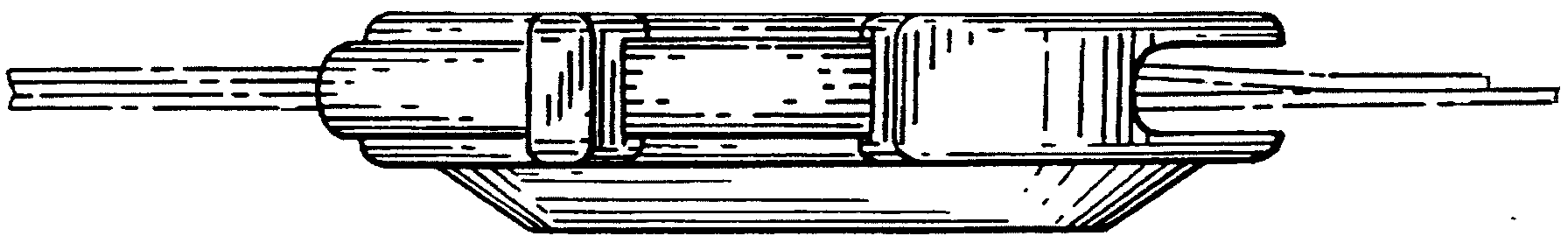


FIG. 3

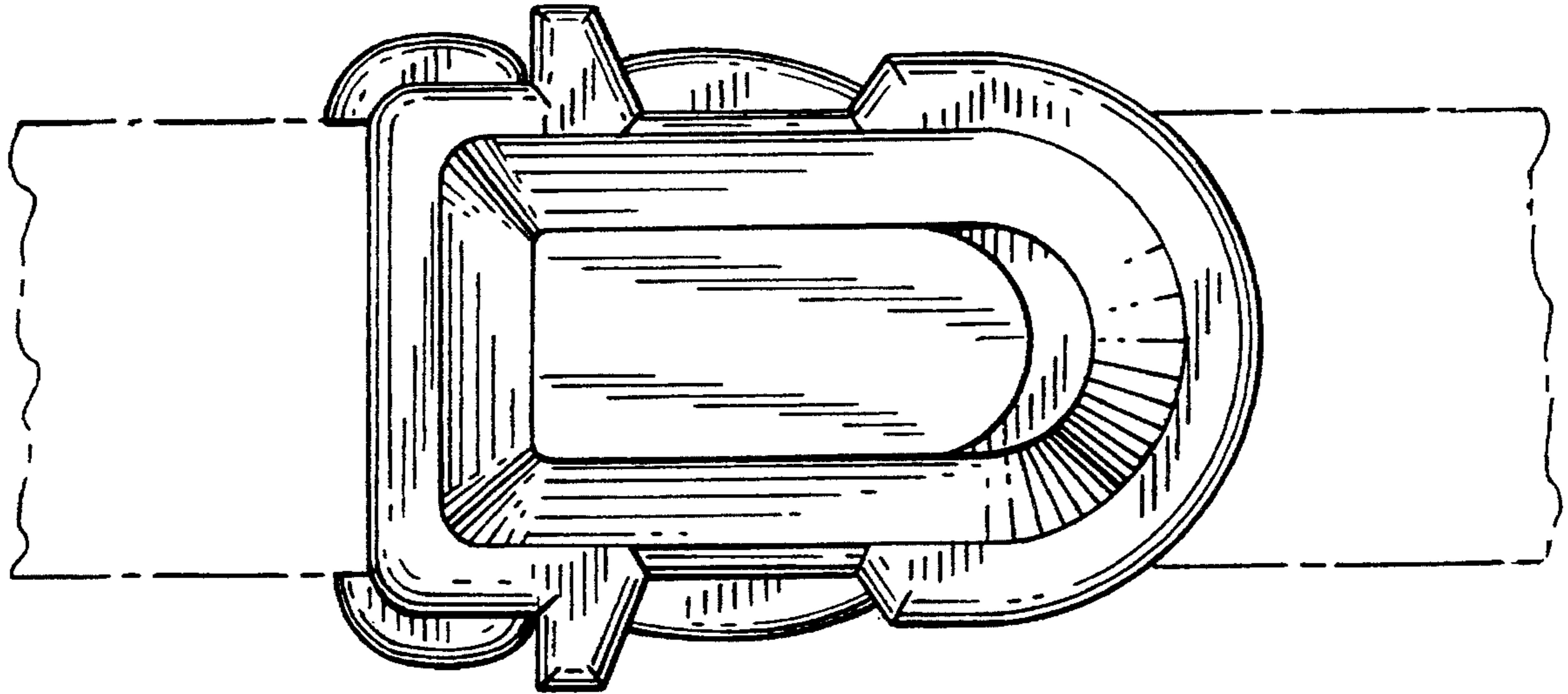


FIG. 4

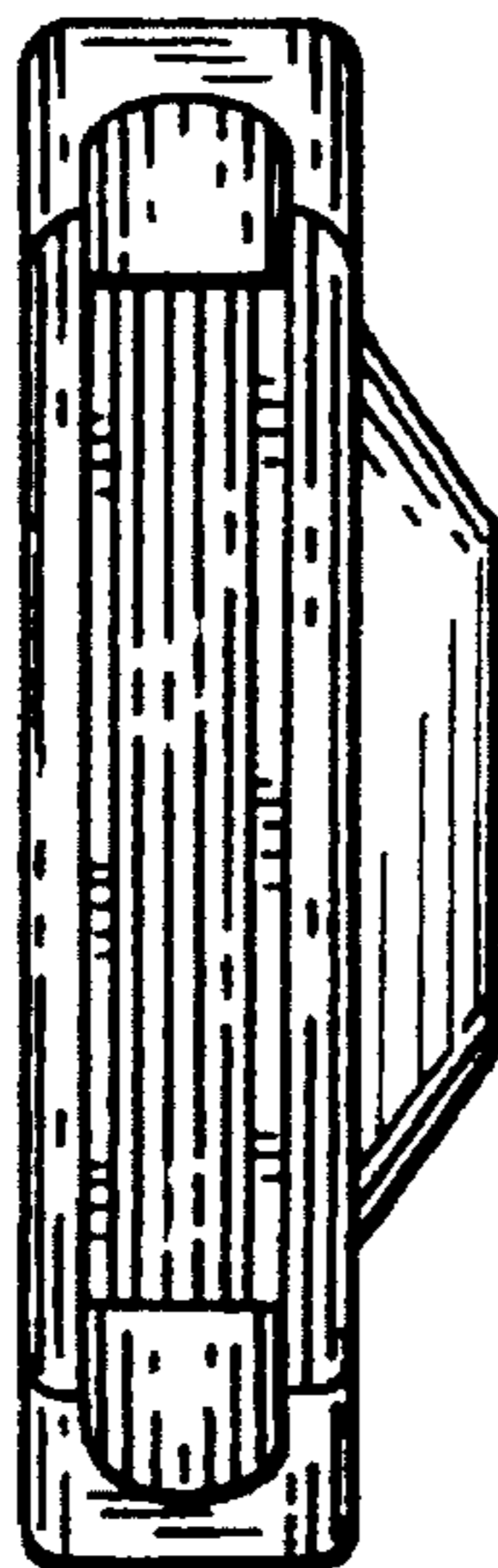


FIG. 5



FIG. 6

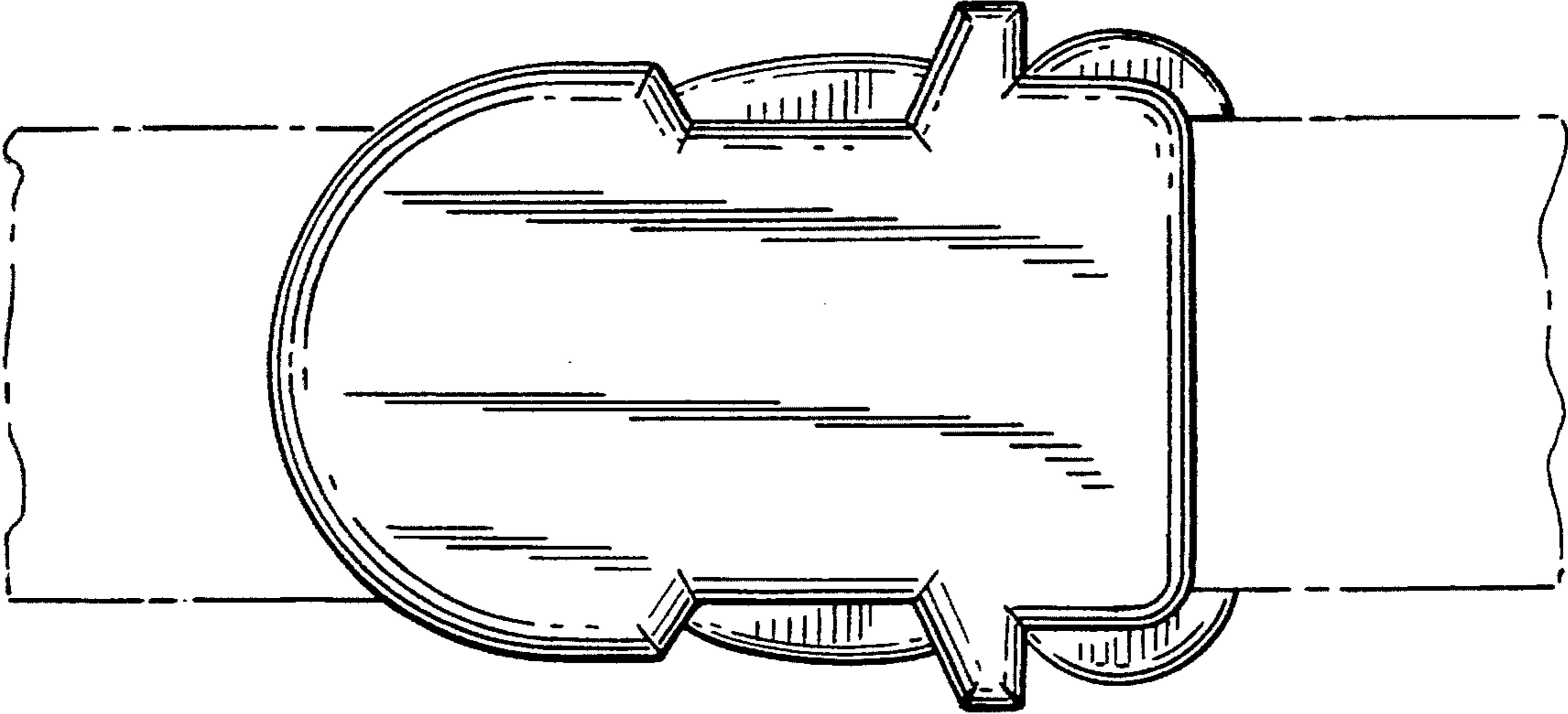


FIG. 7

