



US00D362737S

United States Patent [19]

[11] Patent Number: **Des. 362,737**

Messina, Jr.

[45] Date of Patent: ****Sep. 26, 1995**

[54] **DECORATIVE EXTERIOR LAMP**

[76] Inventor: **Thomas J. Messina, Jr.**, 20 Villa Rosa Ter., Woodmont, Conn. 06460

[**] Term: **14 Years**

[21] Appl. No.: **24,109**

[22] Filed: **Jun. 8, 1994**

[52] U.S. Cl. **D26/67; D26/72**

[58] Field of Search **D26/72, 80-92, D26/67-71; 362/147, 432, 404-408, 431, 367**

[56] **References Cited**

U.S. PATENT DOCUMENTS

D. 179,182 11/1956 Bibbs D26/67

OTHER PUBLICATIONS

American Lantern ©1975, p. 56, Lantern #9311.

Architectural Area Lighting Co. Flyer, May 19, 1976, Exterior Luminaire #A75A-1310.

Progress Lighting Catalog, ©1992, p. 27, Pedestal Lantern #P5452-25.

Primary Examiner—Susan J. Lucas
Attorney, Agent, or Firm—Ware, Fressola, Van Der Sluys & Adolphson

[57] **CLAIM**

The ornamental design for a decorative exterior lamp, as shown and described.

DESCRIPTION

FIG. 1 is a perspective view of a decorative exterior lamp showing my new design;

FIG. 2 is front elevation view thereof, the sides and rear being identical;

FIG. 3 is a top plan view thereof;

FIG. 4 is a bottom plan view thereof;

FIG. 5 is a perspective view of a second embodiment of my new design;

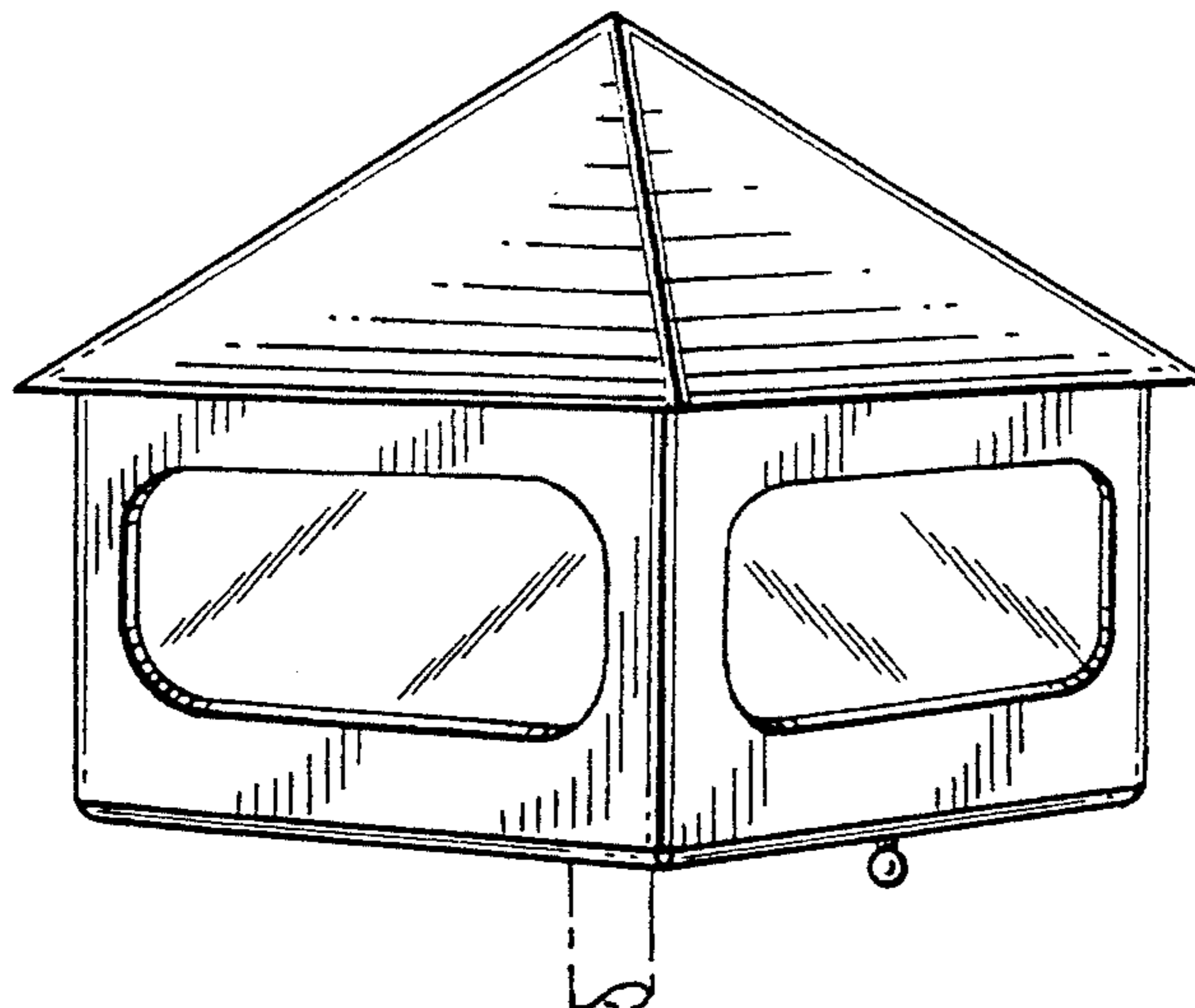
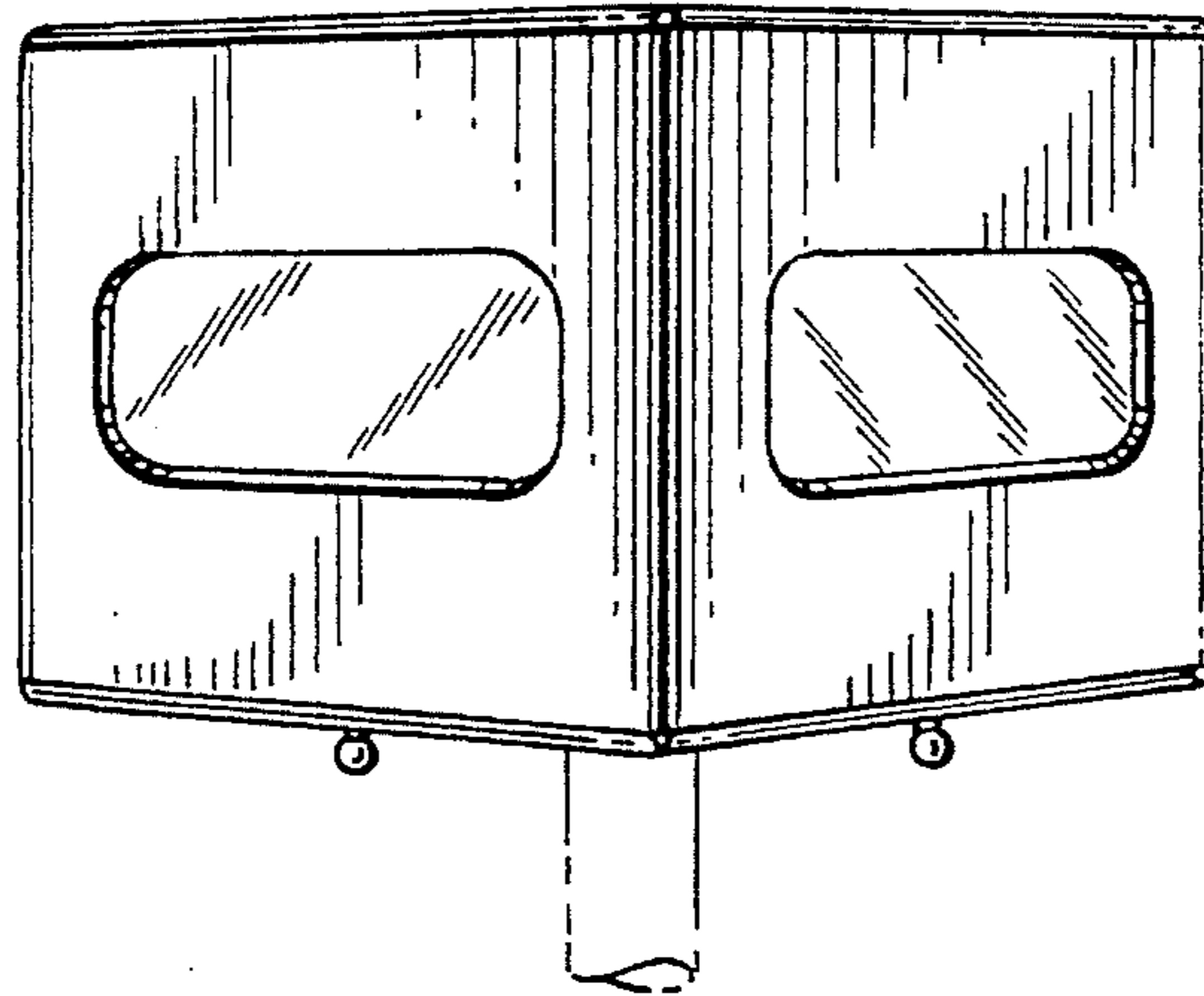
FIG. 6 is a front elevation view thereof, the rear being identical;

FIG. 7 is a top plan view thereof;

FIG. 8 is a left side elevation view thereof, the right side being identical; and,

FIG. 9 is a bottom plan view thereof.

1 Claim, 2 Drawing Sheets



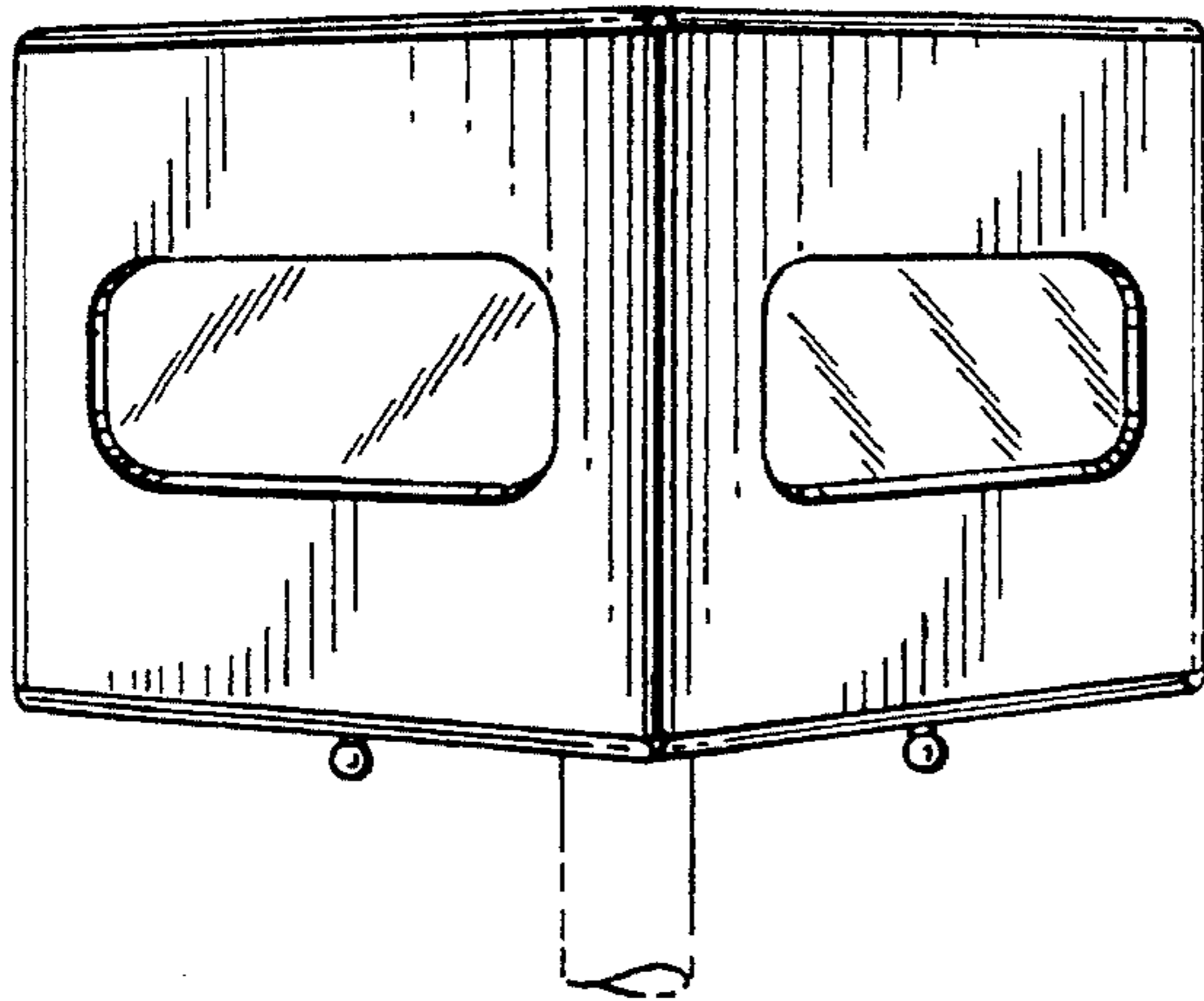


FIG. 1

FIG. 2

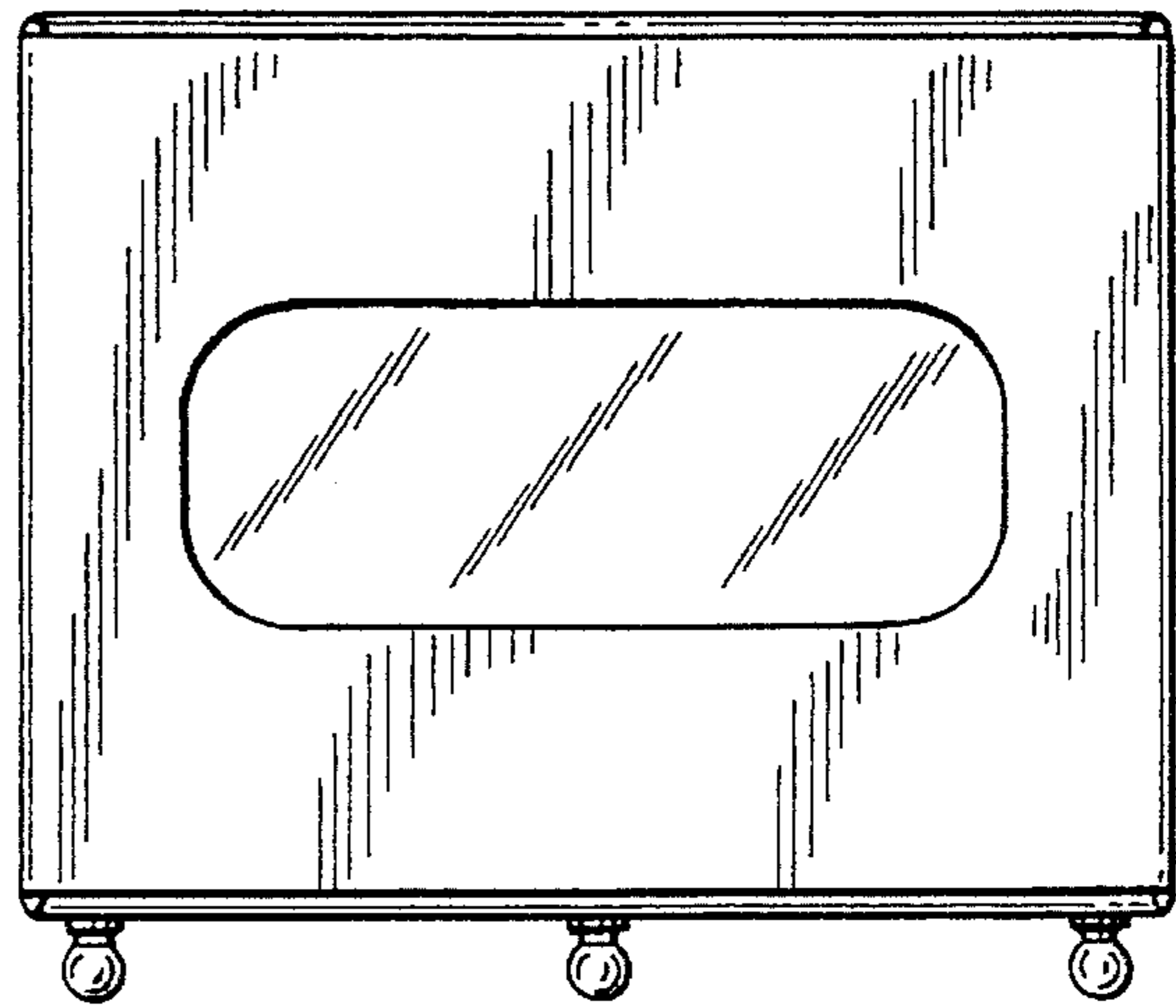


FIG. 3

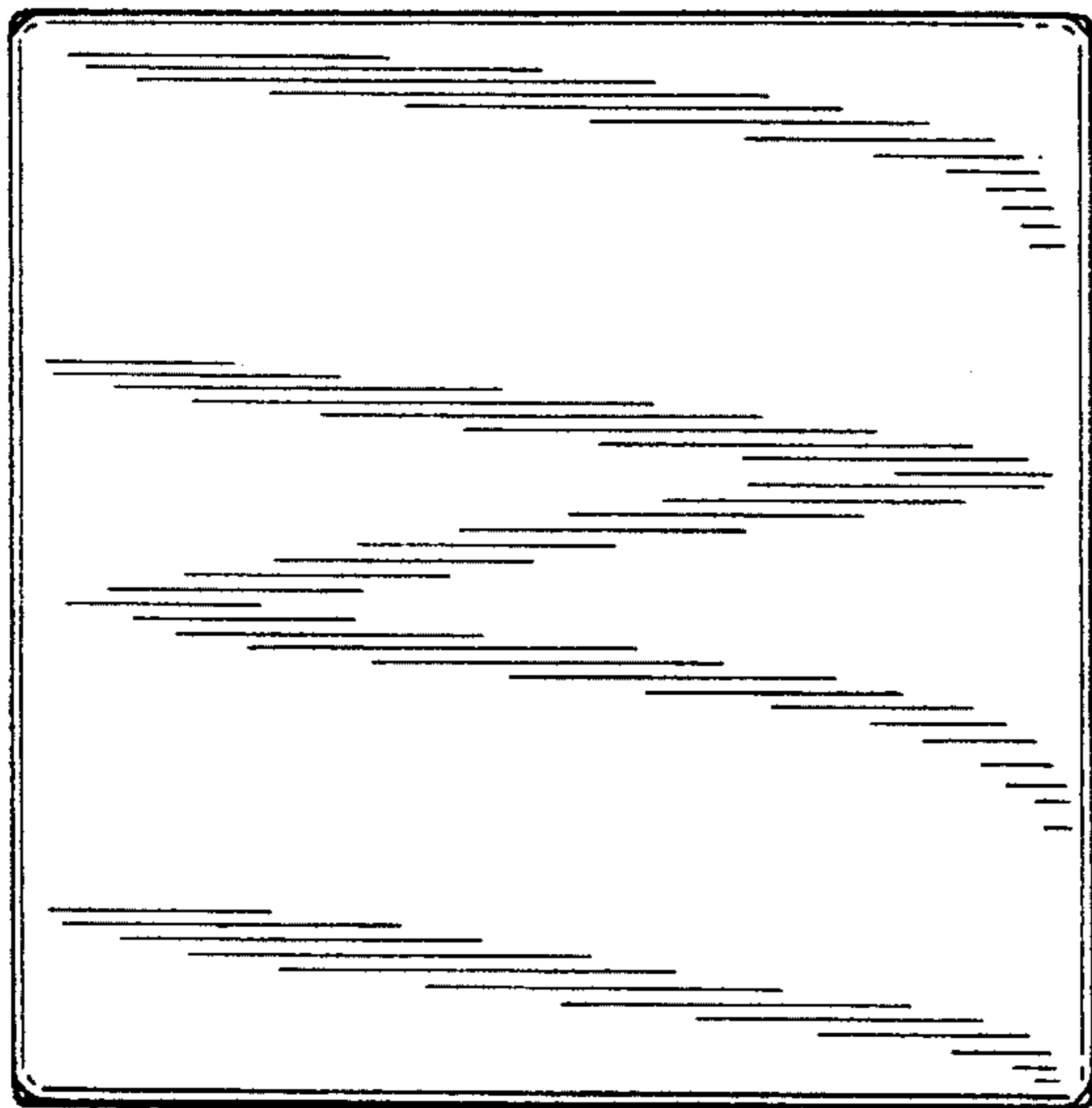


FIG. 4

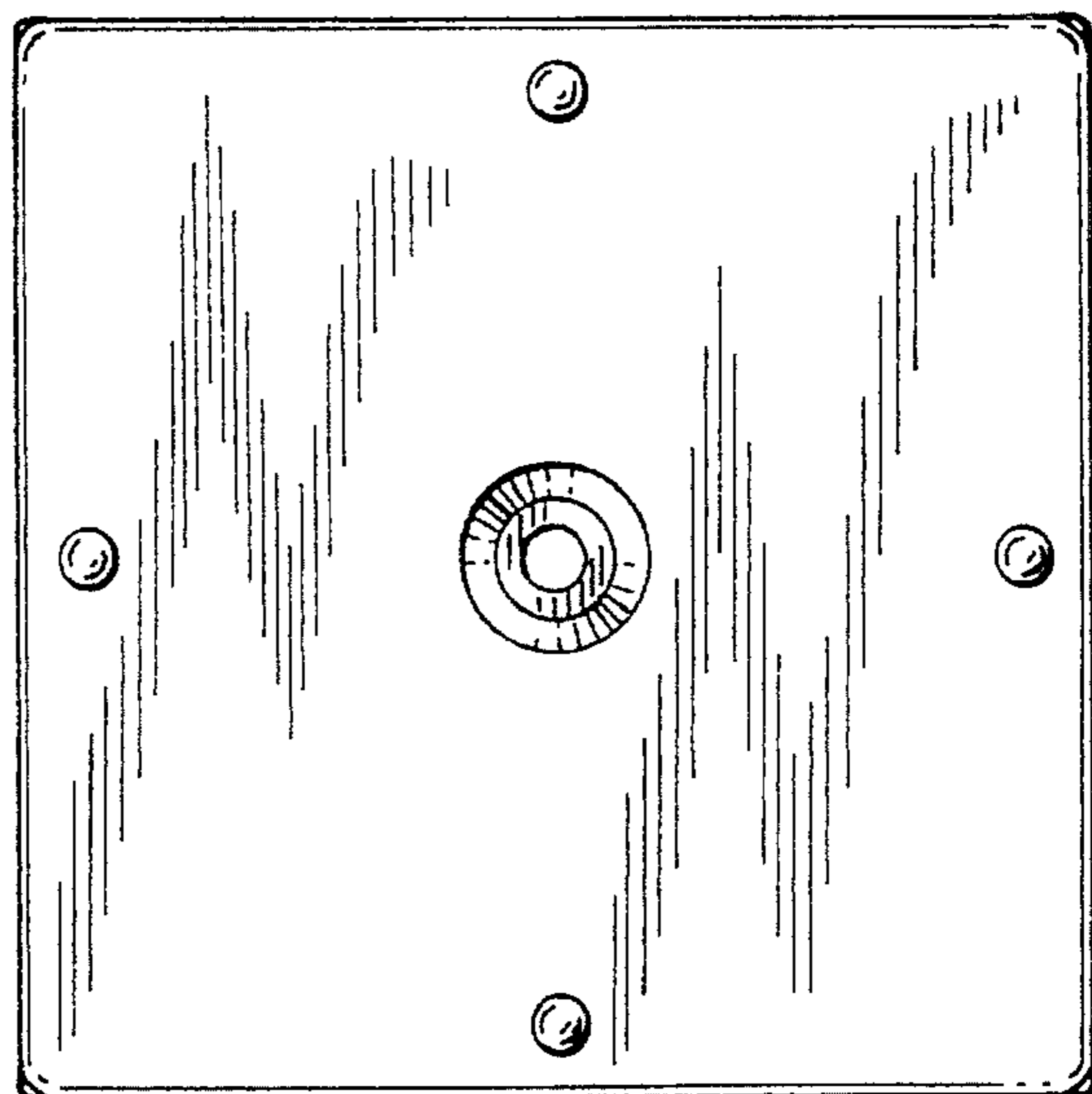


FIG. 5

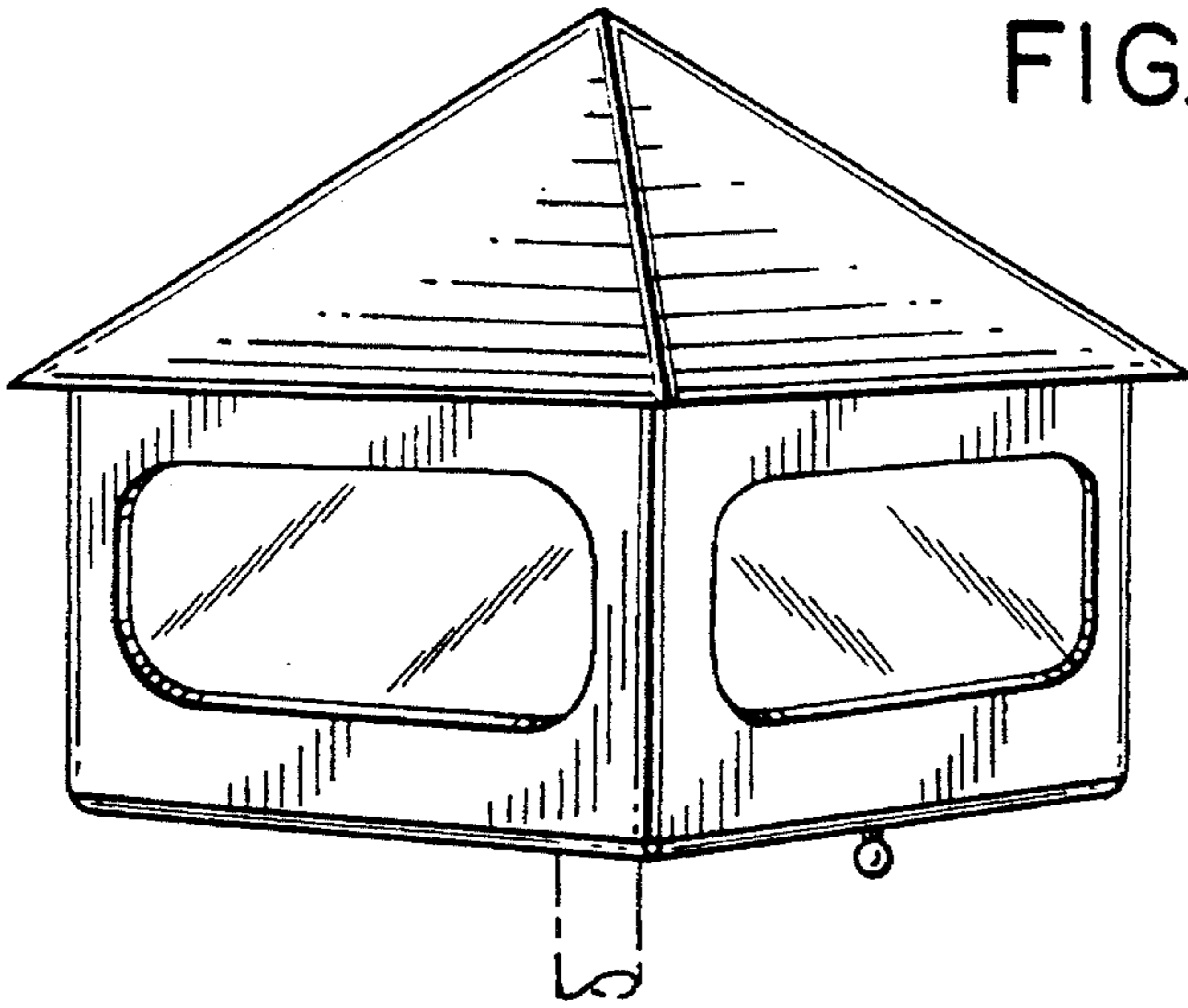


FIG. 6

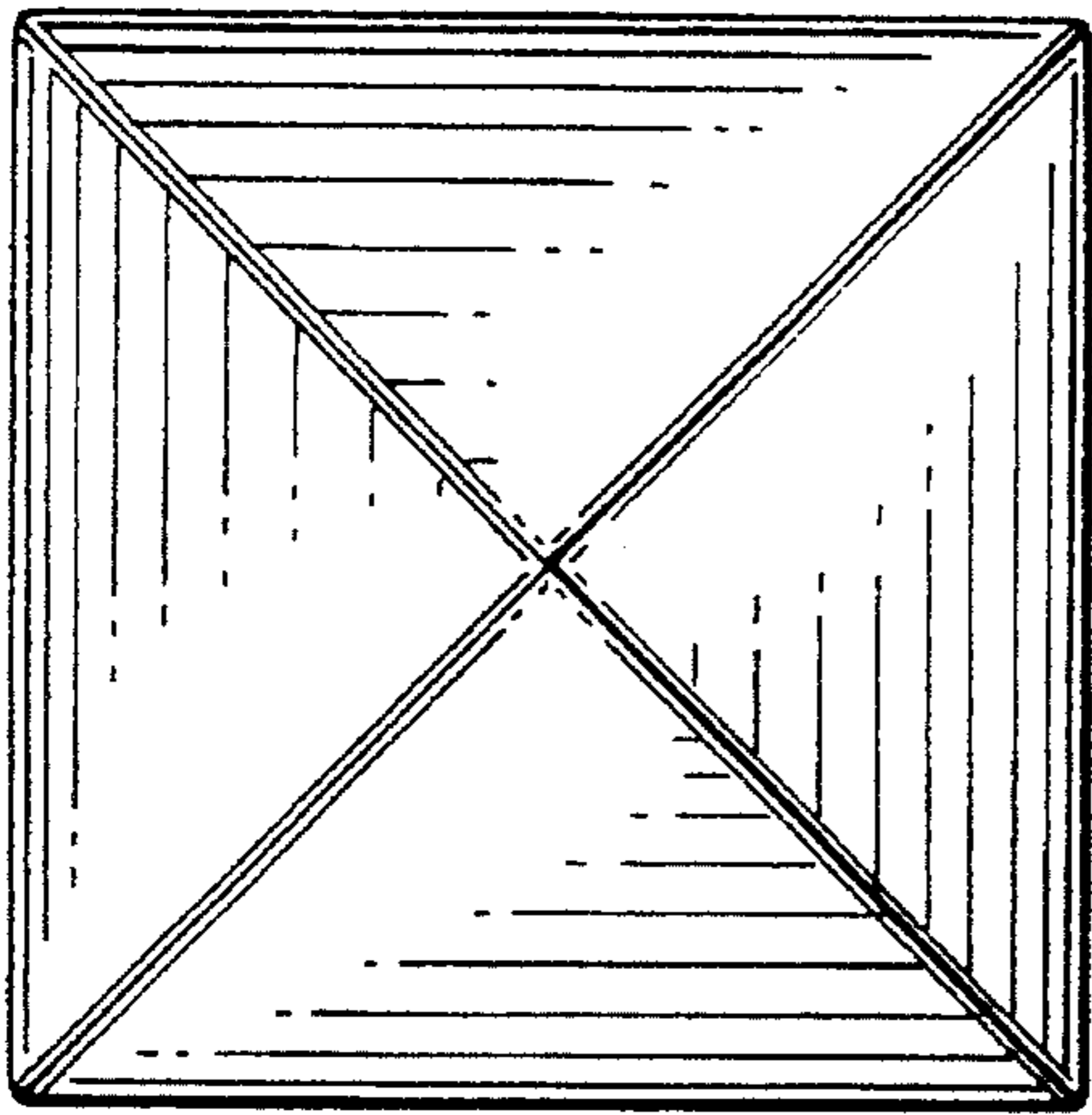
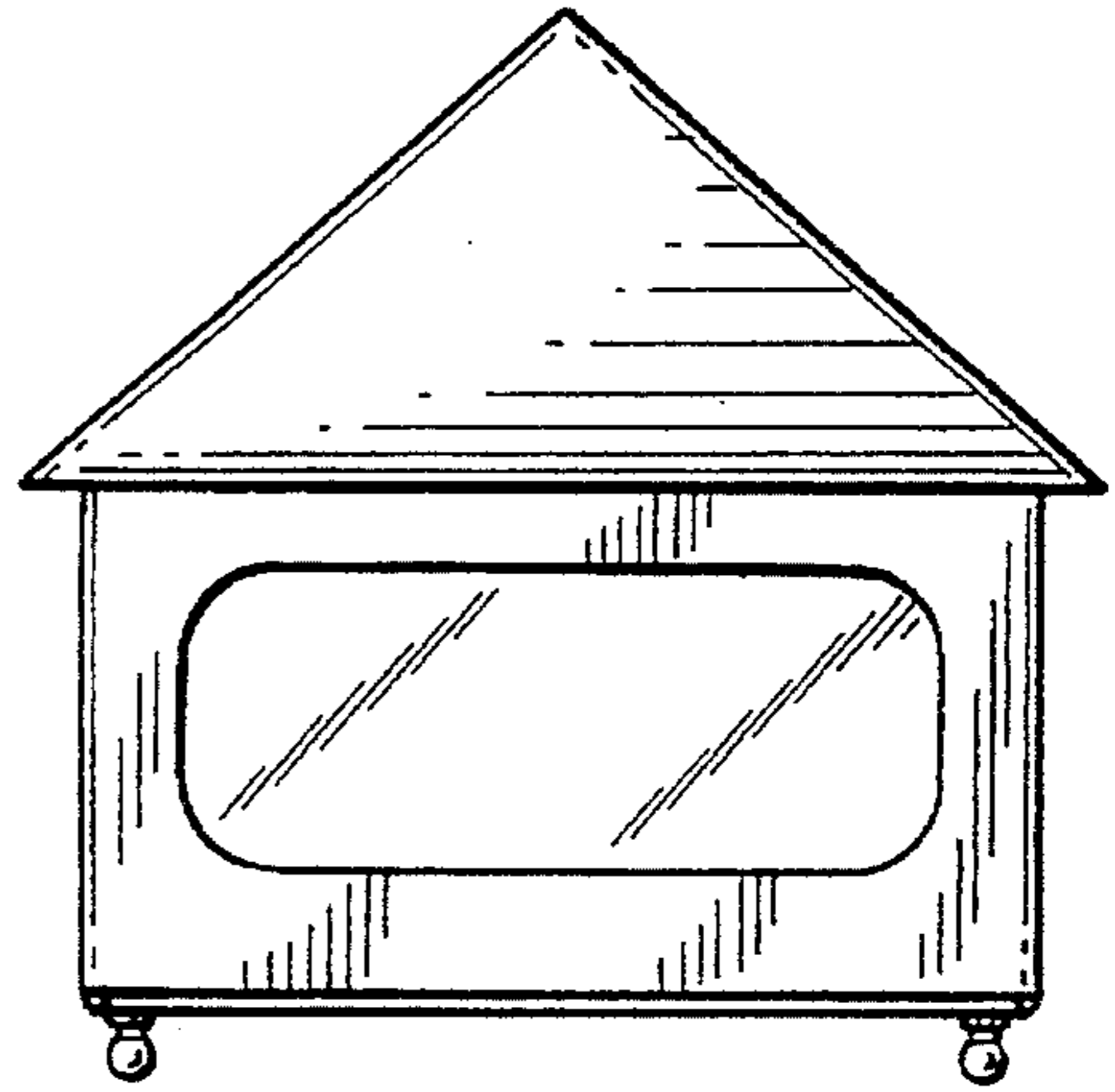


FIG. 7

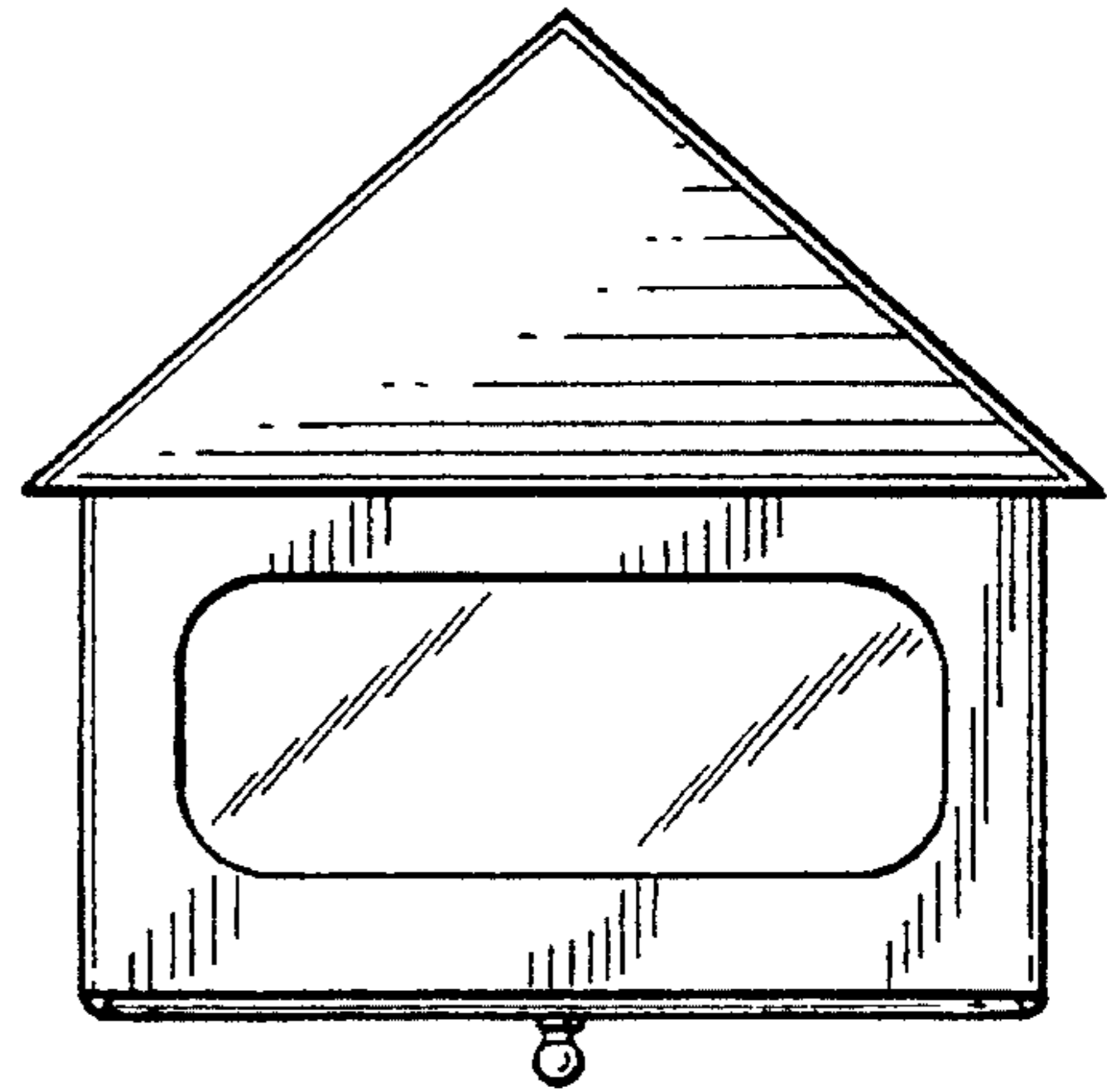


FIG. 8

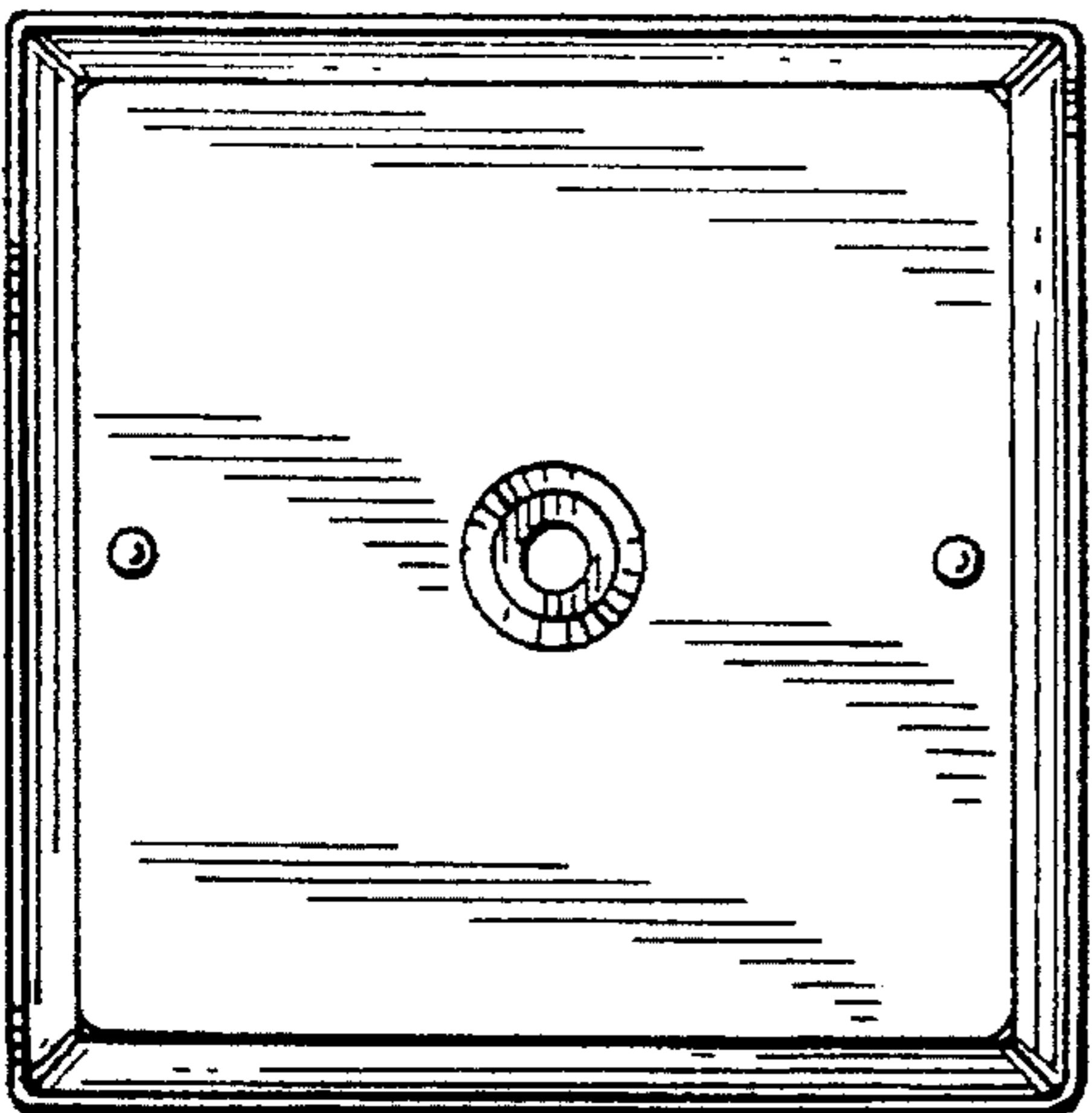


FIG. 9