



US00D362732S

# United States Patent [19]

[11] Patent Number: **Des. 362,732**

Franson

[45] Date of Patent: **\*\*Sep. 26, 1995**

[54] WINDOW COMPONENT EXTRUSION

4,974,364 12/1990 Durham, Jr. .... 49/501

[75] Inventor: **Jeffrey R. Franson**, Kent, Wash.

*Primary Examiner*—Doris Clark  
*Attorney, Agent, or Firm*—Seed and Berry

[73] Assignee: **Mikron Industries**, Kent, Wash.

[\*\*] Term: **14 Years**

[57] **CLAIM**

[21] Appl. No.: **20,000**

The ornamental design for a window component extrusion, as shown and described.

[22] Filed: **Mar. 16, 1994**

**DESCRIPTION**

[52] U.S. Cl. .... **D25/124**

[58] Field of Search ..... D25/124, 52; 49/501, 49/504, DIG. 2; 52/204.1, 205.1

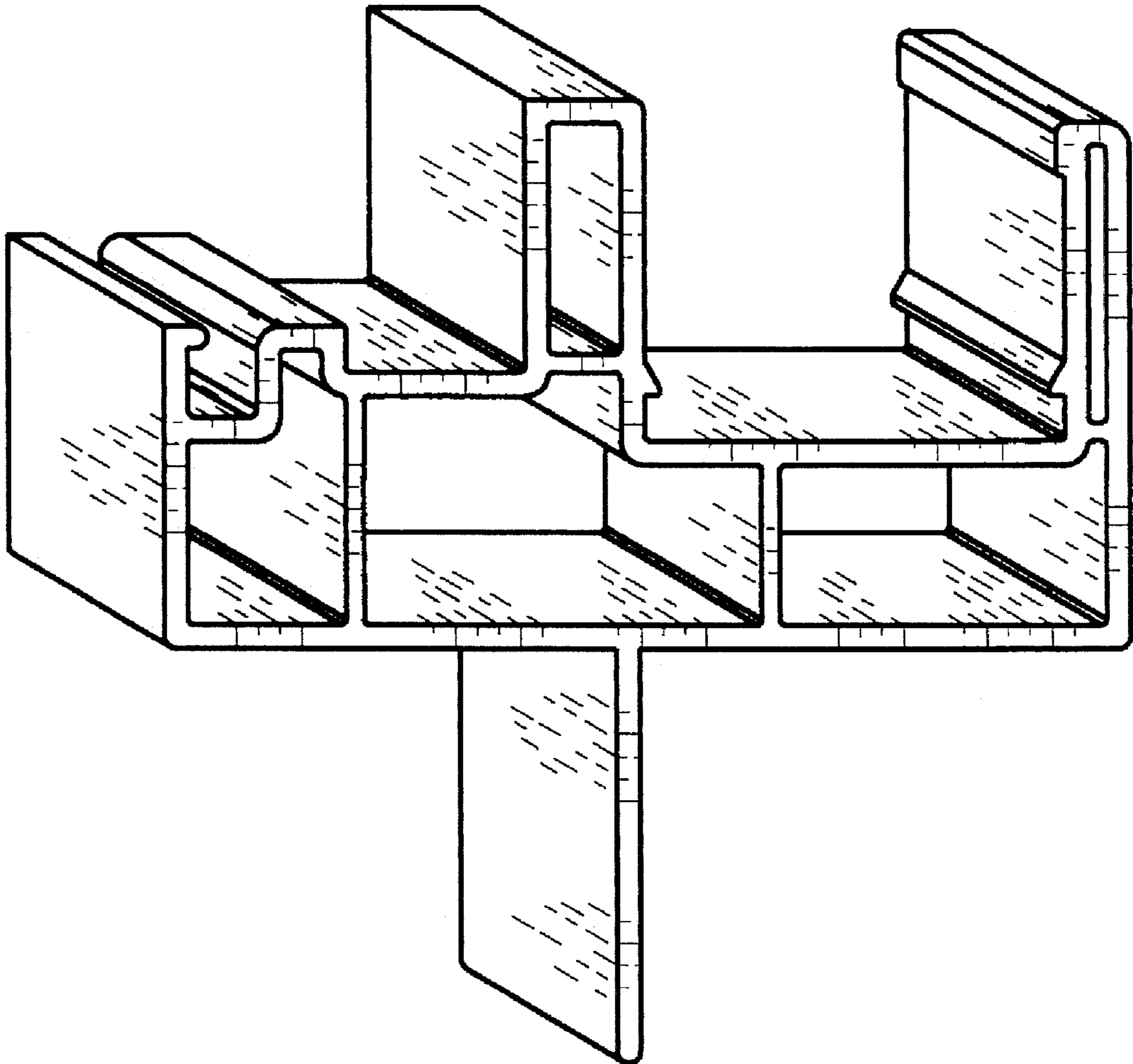
FIG. 1 is a top right perspective view of a window component extrusion showing my new design, the window component extrusion being of indefinite length; and, FIG. 2 is a bottom left perspective view thereof.

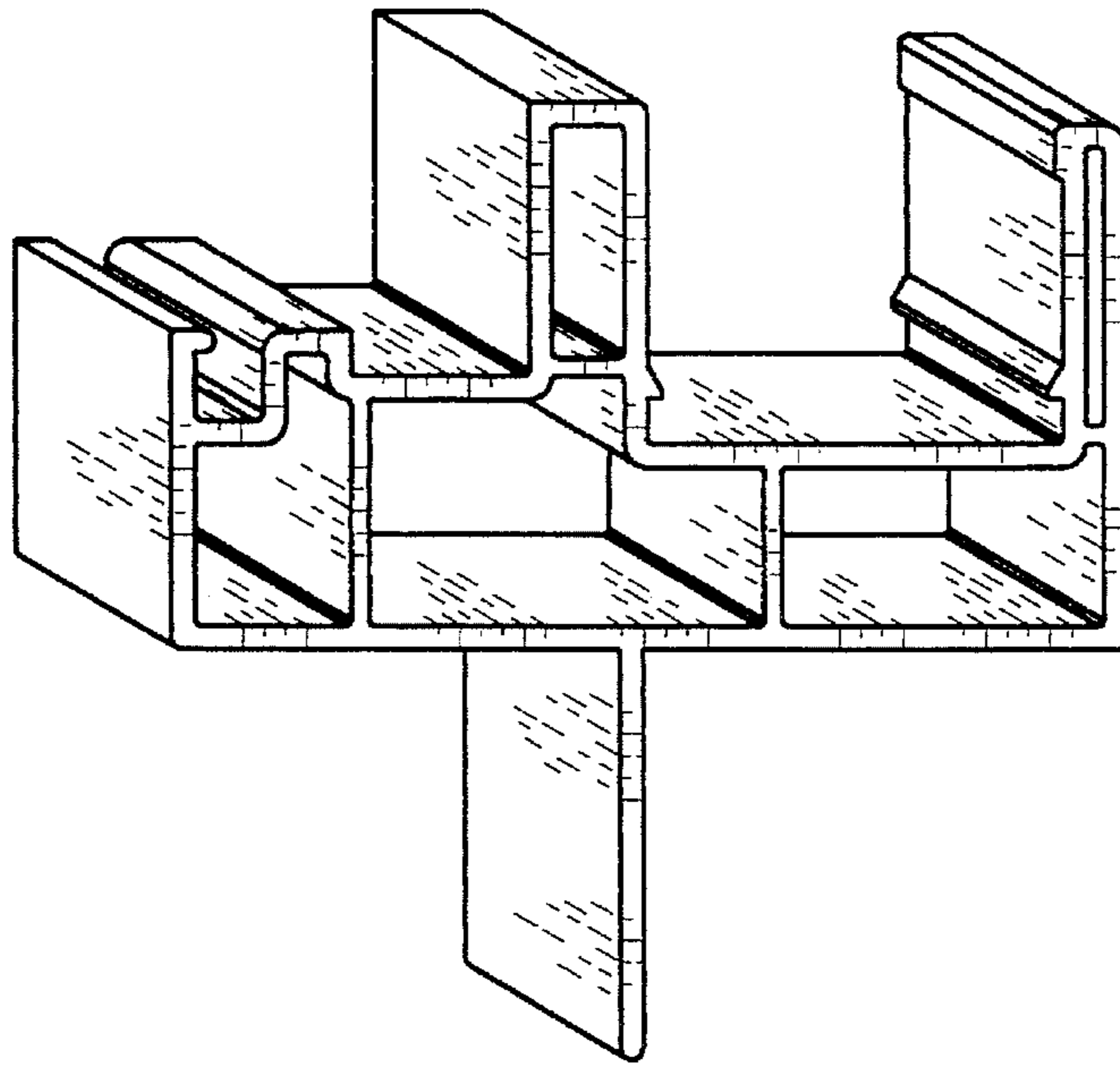
[56] **References Cited**

**U.S. PATENT DOCUMENTS**

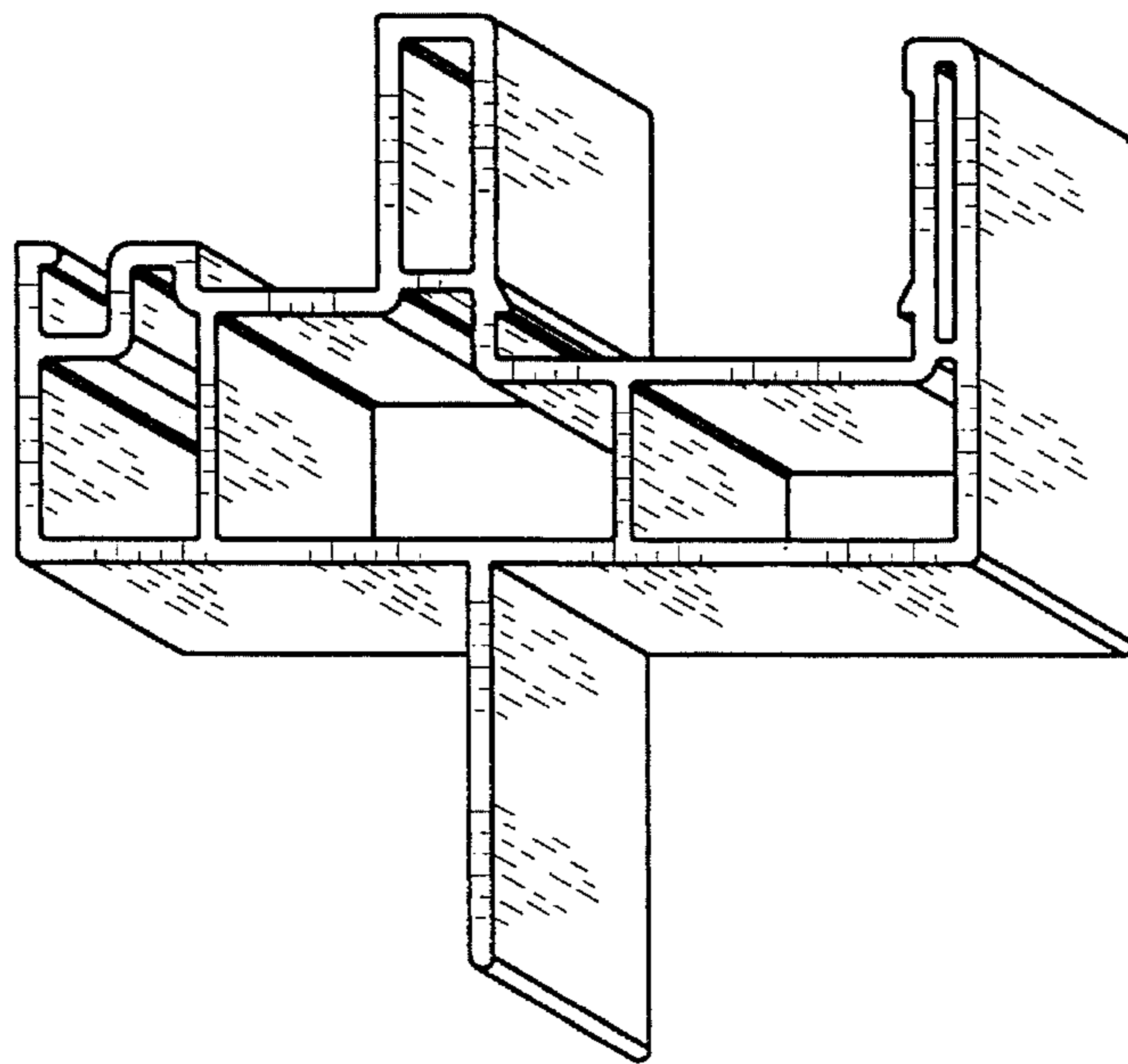
D. 336,143 6/1993 Cole ..... D25/124

**1 Claim, 1 Drawing Sheet**





*FIG. 1*



*FIG. 2*