



US00D362729S

# United States Patent [19]

[11] Patent Number: **Des. 362,729**

**Kitchel**

[45] Date of Patent: **\*\*Sep. 26, 1995**

[54] **PORTABLE GARAGE**

[75] Inventor: **Kurt S. Kitchel**, 1749 N. Country Club Dr., Mesa, Ariz. 85201

[73] Assignee: **Kurt S. Kitchel**, Mesa, Ariz.

[\*\*] Term: **14 Years**

[21] Appl. No.: **28,442**

[22] Filed: **Sep. 15, 1994**

[52] U.S. Cl. .... **D25/11; D25/17**

[58] Field of Search ..... D25/1, 4, 5, 13, D25/15, 16, 17, 18, 19, 21, 22, 26, 29, 30, 32, 33, 34, 35, 56, 61; 52/63, 64, 71, 79, 1, 222; 135/901

3,600,866	8/1971	Griffith .....	D25/34 X
4,057,941	11/1977	Schwartz .....	52/222 X
4,306,390	12/1981	Brown .....	52/67
4,800,701	1/1989	Dunsworth .....	52/66
4,884,376	12/1989	DeBlock et al. ....	D25/1
4,944,321	7/1990	Moyet-Ortiz .....	135/88
5,094,257	3/1992	Wilson et al. ....	135/88
5,216,850	6/1993	Kemper et al. ....	52/2.11

*Primary Examiner*—Lou Zarfaz  
*Assistant Examiner*—Monica A. Hannon  
*Attorney, Agent, or Firm*—Richard G. Harrer

## [57] CLAIM

The ornamental design for a portable garage, as shown and described.

## DESCRIPTION

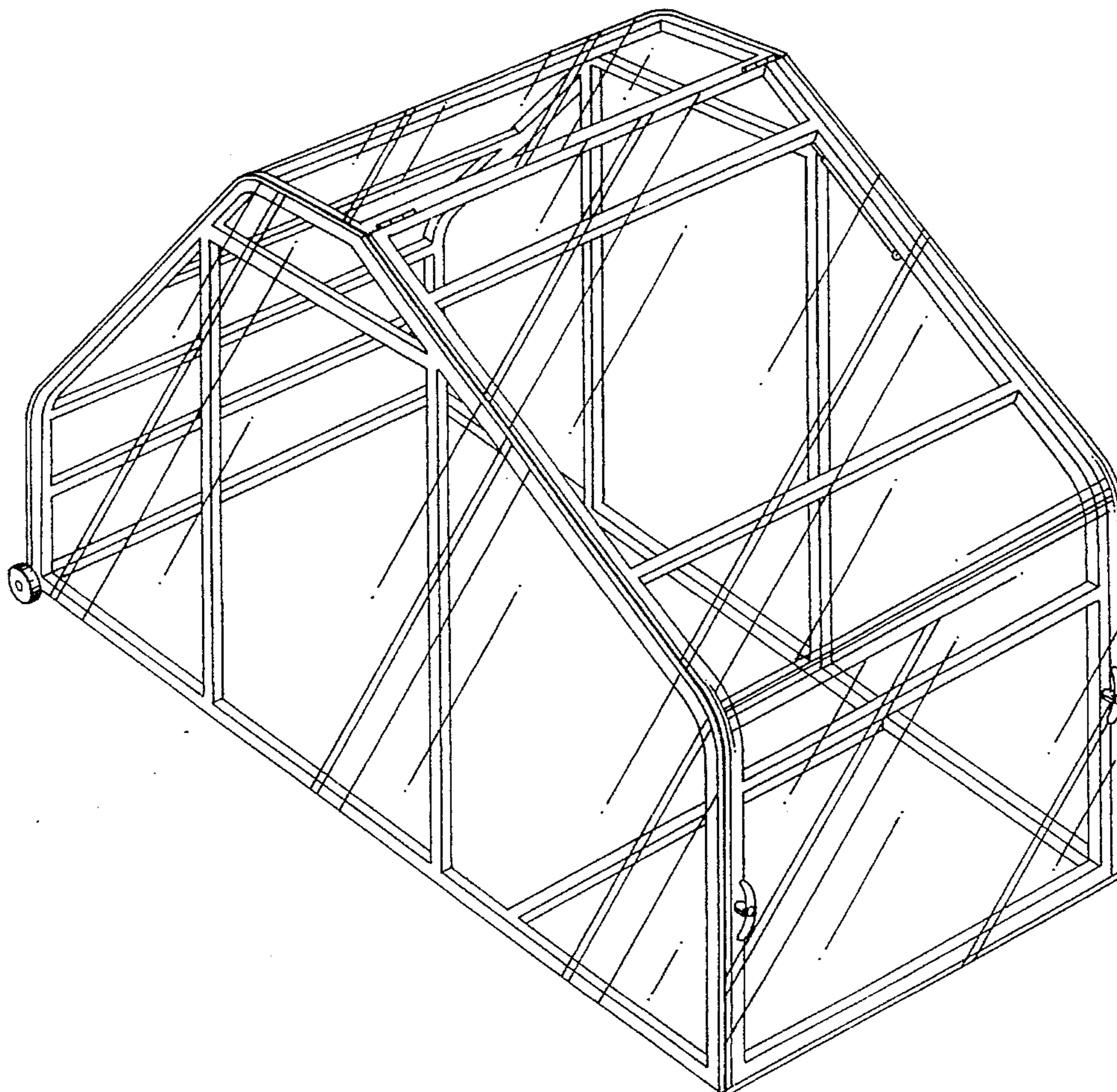
FIG. 1 is a perspective view of a portable garage showing my new design;  
FIG. 2 is a side elevational view hereof;  
FIG. 3 is a front elevational view hereof;  
FIG. 4 is a top view hereof;  
FIG. 5 is a rear view hereof;  
FIG. 6 is a bottom view hereof; and,  
FIG. 7 is a side view hereof showing the door to the portable garage in an open position.

## References Cited

### U.S. PATENT DOCUMENTS

D. 201,671	7/1965	Wiegand .....	D25/21 X
D. 228,450	9/1973	Flickinger .....	D25/15
D. 239,170	3/1976	Hansen .....	D25/35 X
D. 268,702	4/1983	Todd .....	D25/22
D. 343,688	1/1994	Jason .....	D25/16
2,571,362	10/1951	Hervey .....	135/4
3,097,400	7/1963	Davis et al. ....	D25/33 X
3,465,765	9/1969	Dietz .....	135/3

**1 Claim, 2 Drawing Sheets**





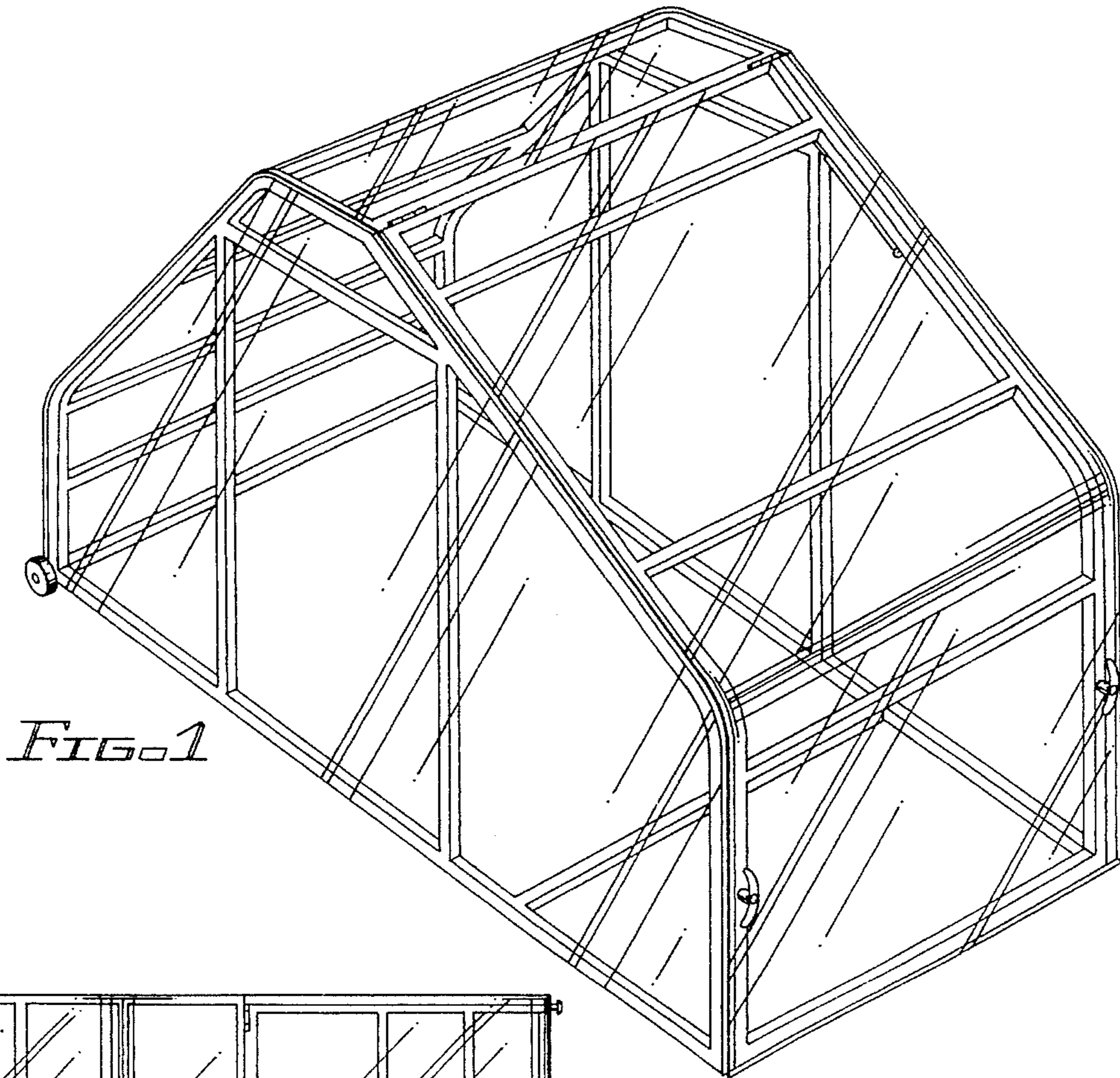


FIG. 1

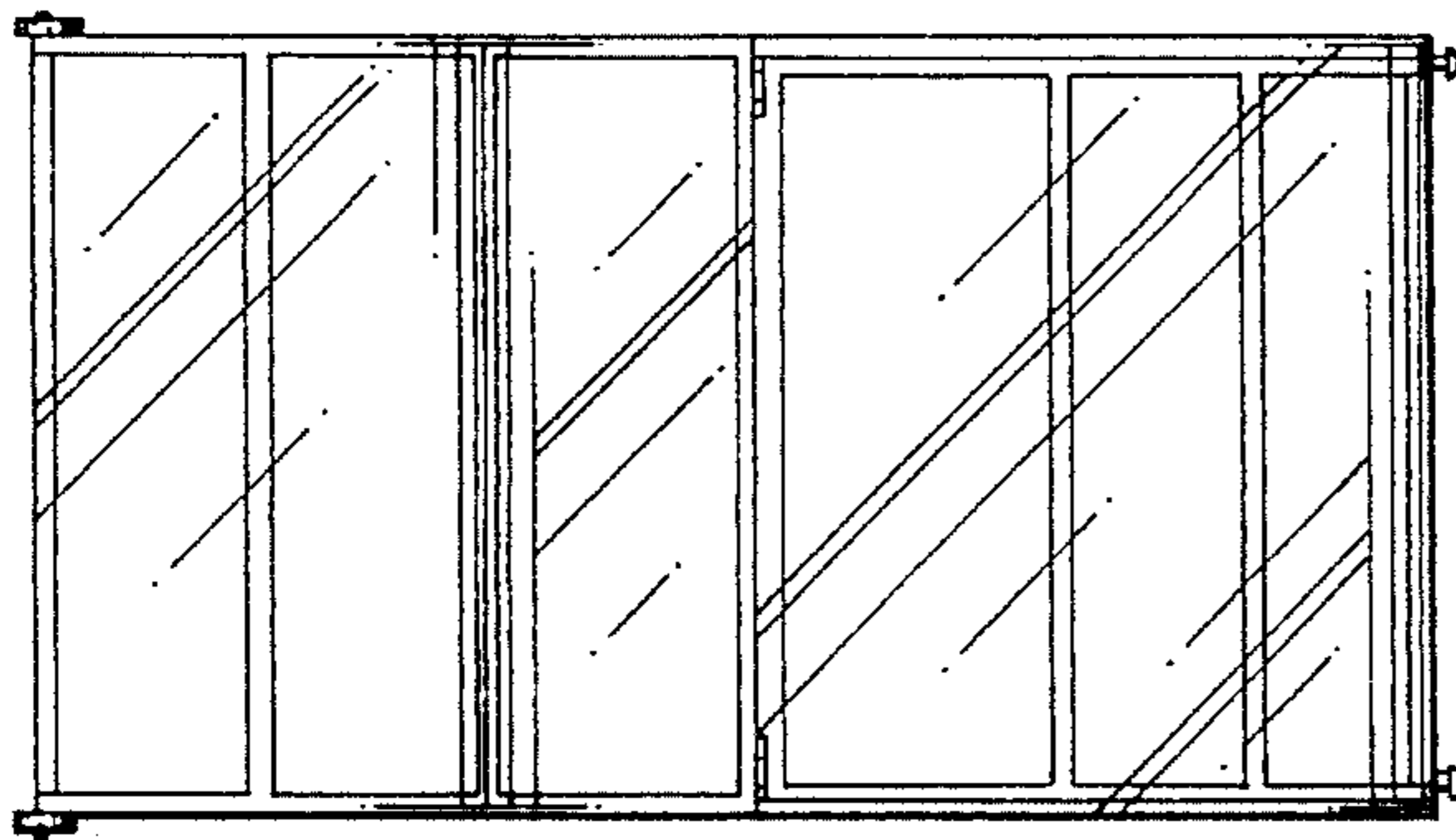


FIG. 4

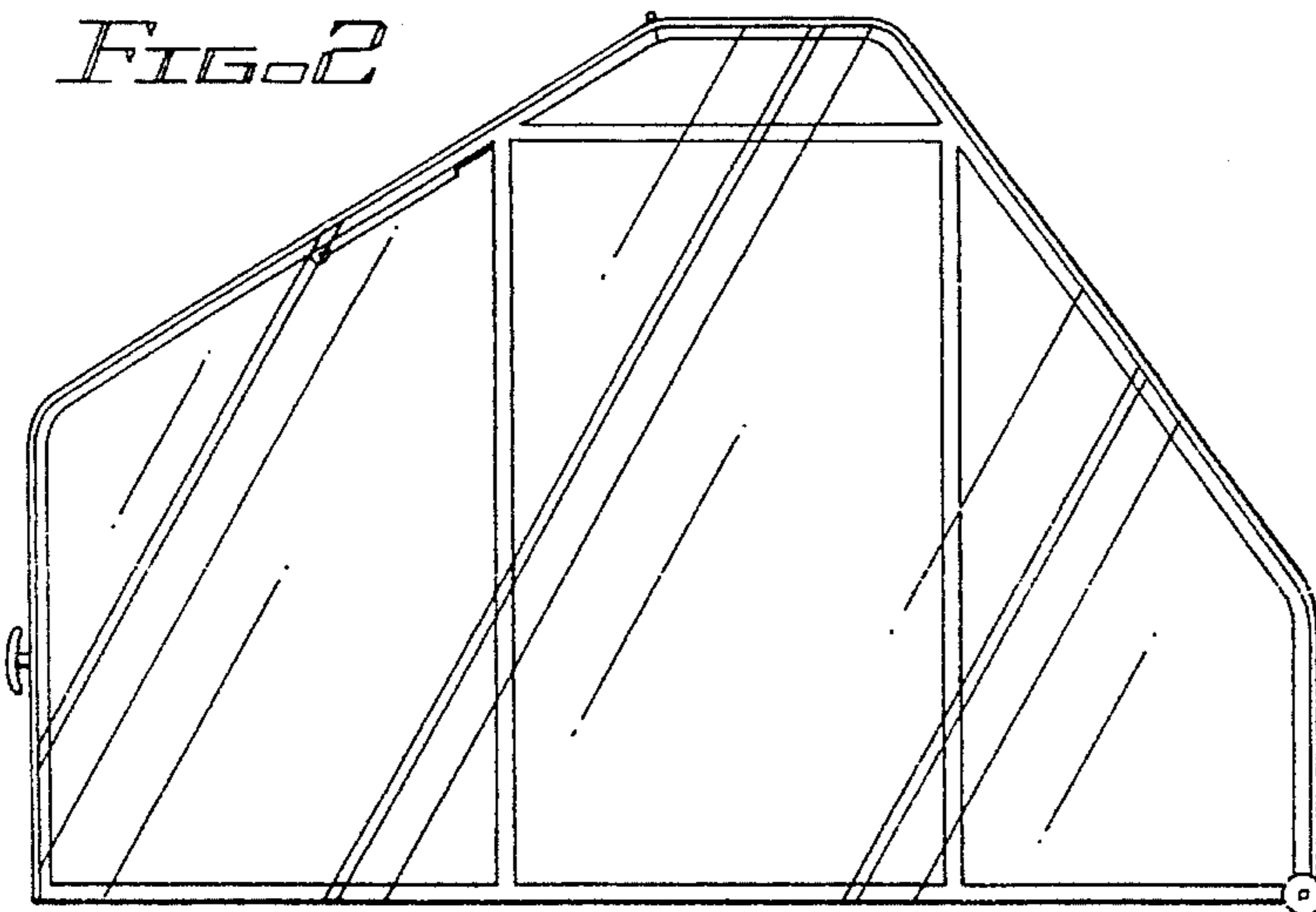


FIG. 2

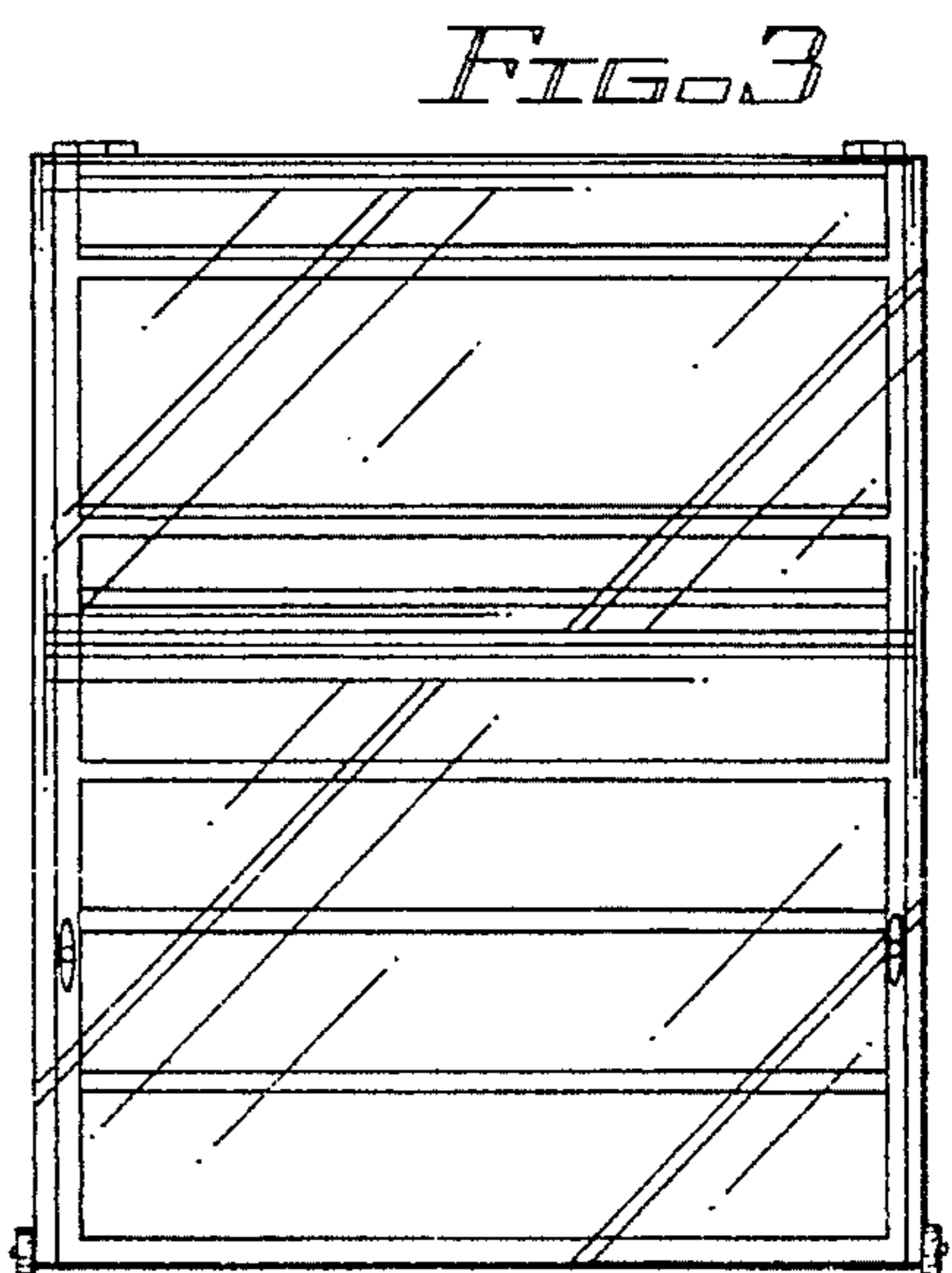


FIG. 3

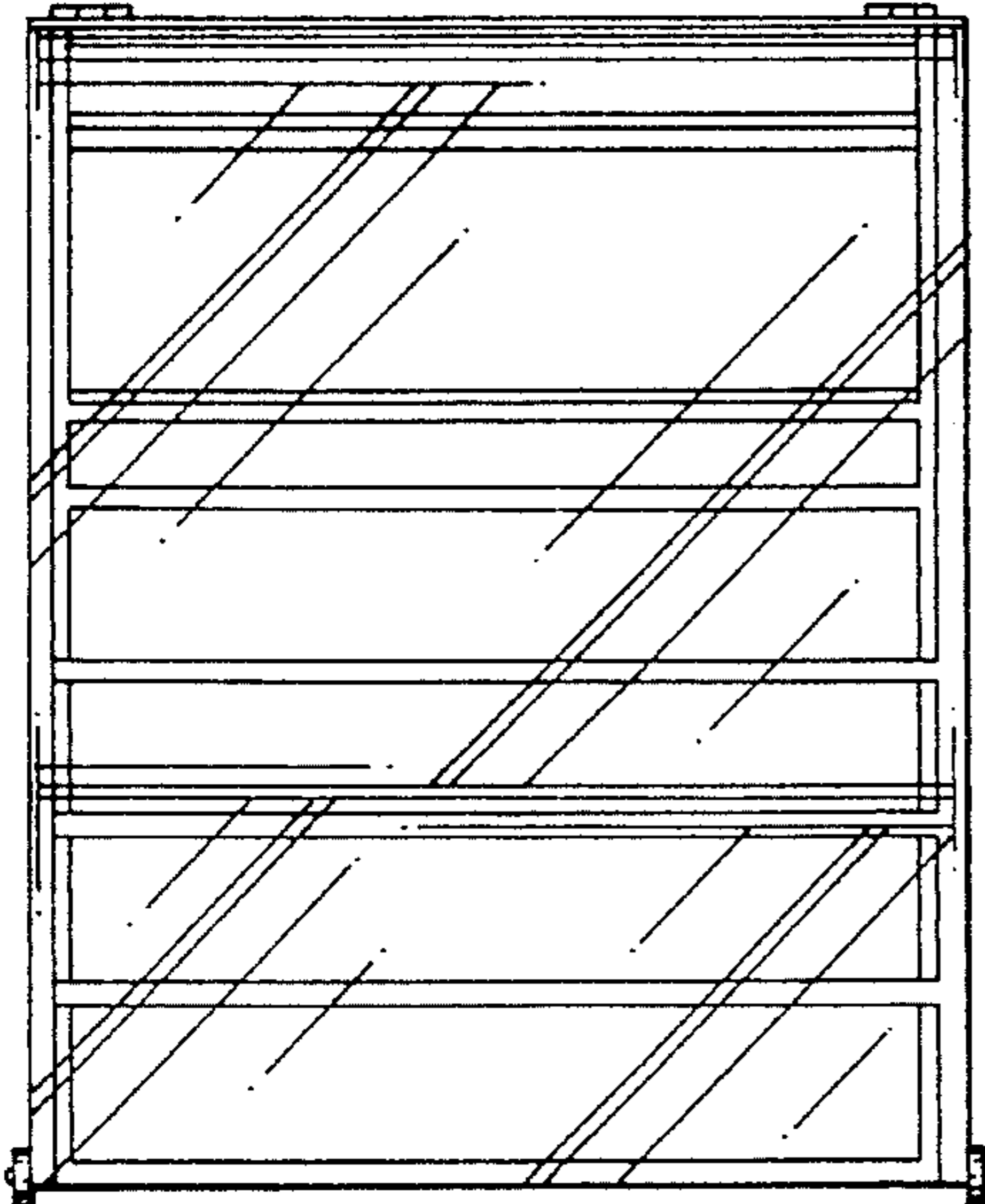


FIG. 5

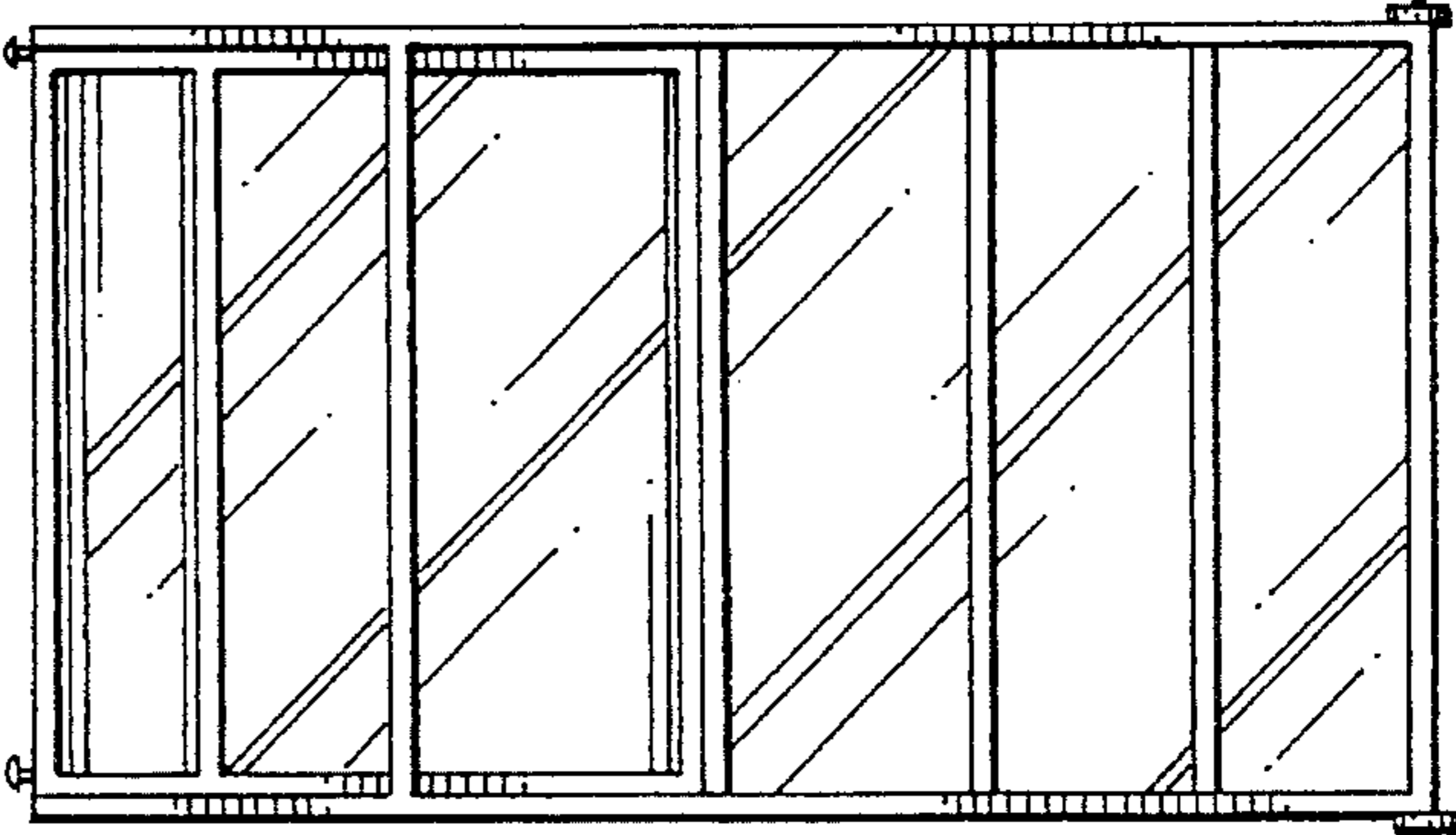


FIG. 6

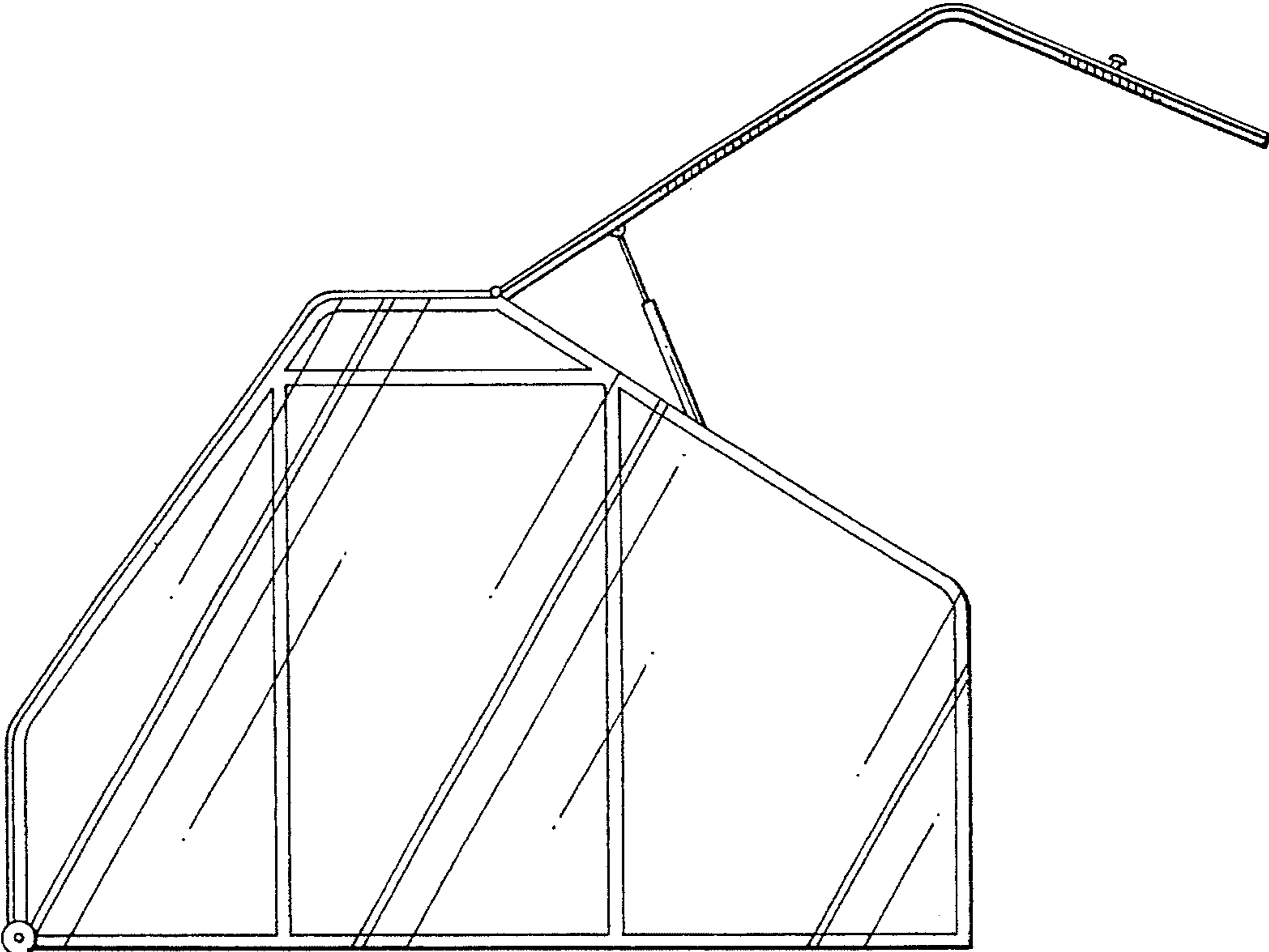


FIG. 7