



US00D362722S

# United States Patent [19]

[11] Patent Number: **Des. 362,722**

**Simmen**

[45] Date of Patent: **\*\*Sep. 26, 1995**

[54] **DENTAL CARTRIDGE**

[75] Inventor: **Christian Simmen**, Mahwah, N.J.

[73] Assignee: **Coltene/Whaldent, Inc.**, Mahwah, N.J.

[\*\*] Term: **14 Years**

[21] Appl. No.: **18,368**

[22] Filed: **Feb. 4, 1994**

[52] U.S. Cl. .... **D24/176**

[58] Field of Search ..... **D24/176; 433/90, 433/89, 80, 82; D23/207, 209**

[56] **References Cited**

**U.S. PATENT DOCUMENTS**

D. 351,892	10/1994	Wolf et al. ....	D24/176
4,834,268	5/1989	Keller .	
4,951,848	8/1990	Keller .	
4,981,241	1/1991	Keller .	
5,005,735	4/1991	Keller .	
5,054,655	10/1991	Keller .	
5,122,057	6/1992	Discko, Jr. ....	433/90
5,165,890	11/1992	Discko, Jr. ....	433/90
5,178,305	1/1993	Keller .	

*Primary Examiner*—**Kay H. Chin**

*Attorney, Agent, or Firm*—**Helfgott & Karas**

[57] **CLAIM**

The ornamental design for a dental cartridge, as shown and described.

**DESCRIPTION**

FIG. 1 is a top perspective view of a dental cartridge showing my new design;

FIG. 2 is a top plan view thereof, the bottom plan view being identical;

FIG. 3 is a front elevational view thereof, the rear elevational view being identical;

FIG. 4 is a top perspective view of a second embodiment of the dental cartridge;

FIG. 5 is a top plan view of FIG. 4, the bottom plan view being identical;

FIG. 6 is a front elevational view of FIG. 4, the rear elevational view being identical;

FIG. 7 is a top perspective view of a third embodiment of the dental cartridge;

FIG. 8 is a top plan view of FIG. 7, the bottom plan view being identical;

FIG. 9 is a front elevational view of FIG. 7, the rear elevational view being identical;

FIG. 10 is a top perspective view of fourth embodiment of the dental cartridge including a closed flange at one end thereof, the bottom view being identical thereto, and the rear end view of the cartridge is the same as the FIG. 3;

FIG. 11 is a top perspective view of fifth embodiment of the dental cartridge, the bottom view being identical thereto, and the end view of the cartridge is the same as the FIG. 3;

FIG. 12 is a top perspective view of a sixth embodiment of the dental cartridge, the bottom view being identical thereto, and the rear end view of the cartridge is the same as the FIG. 6;

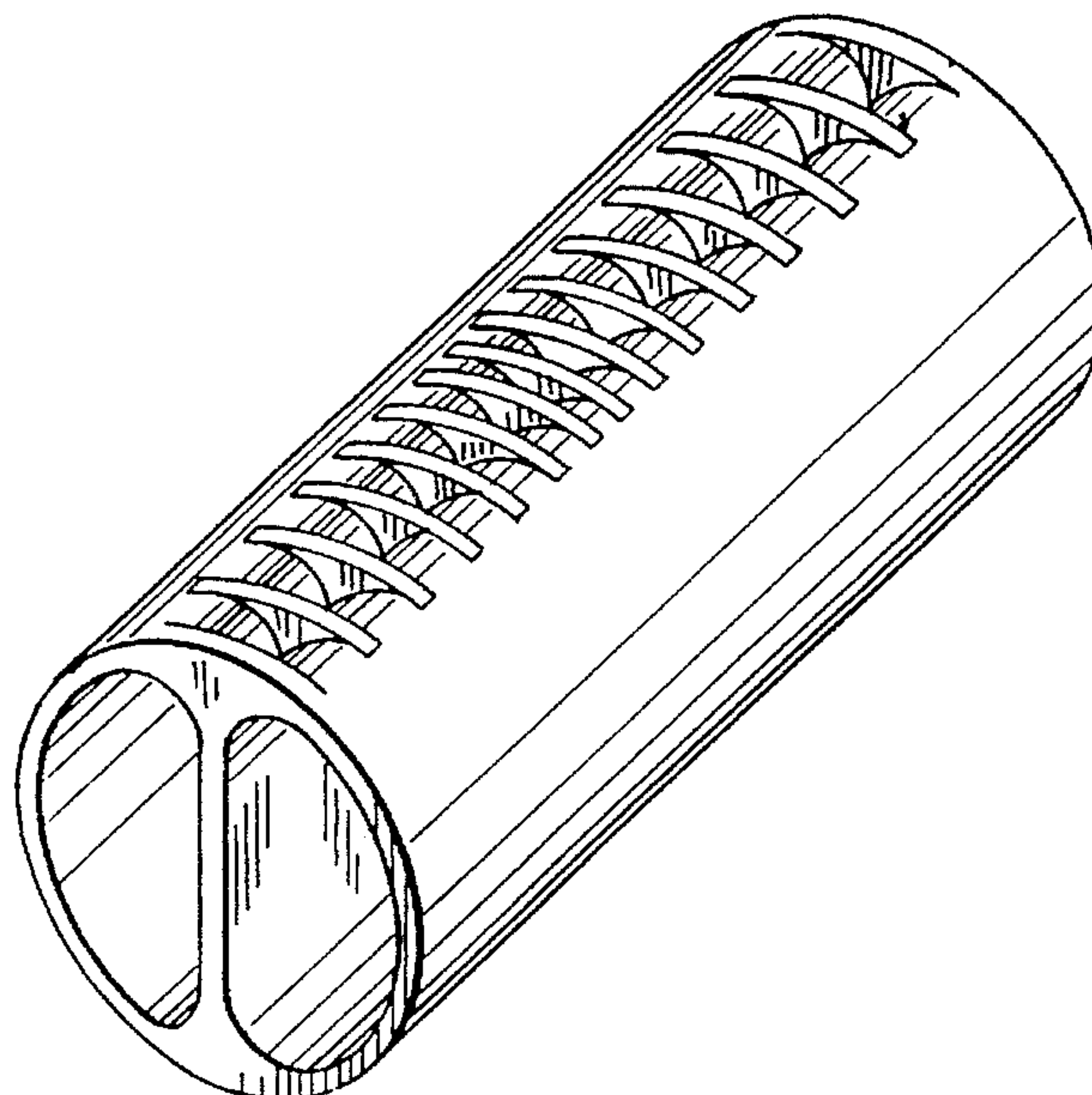
FIG. 13 is a top perspective view of a seventh embodiment of the dental cartridge, the bottom view being identical thereto, and the rear end view of the cartridge is the same as the FIG. 6;

FIG. 14 is a front and top perspective view of a eighth embodiment of the dental cartridge, the rear and bottom view being identical thereto;

FIG. 15 is a front and top perspective view of a ninth embodiment of the dental cartridge, the rear and bottom view being identical thereto; and,

FIG. 16 is a front and top perspective view of a tenth embodiment of the dental cartridge, the rear and bottom view being identical thereto.

**1 Claim, 5 Drawing Sheets**



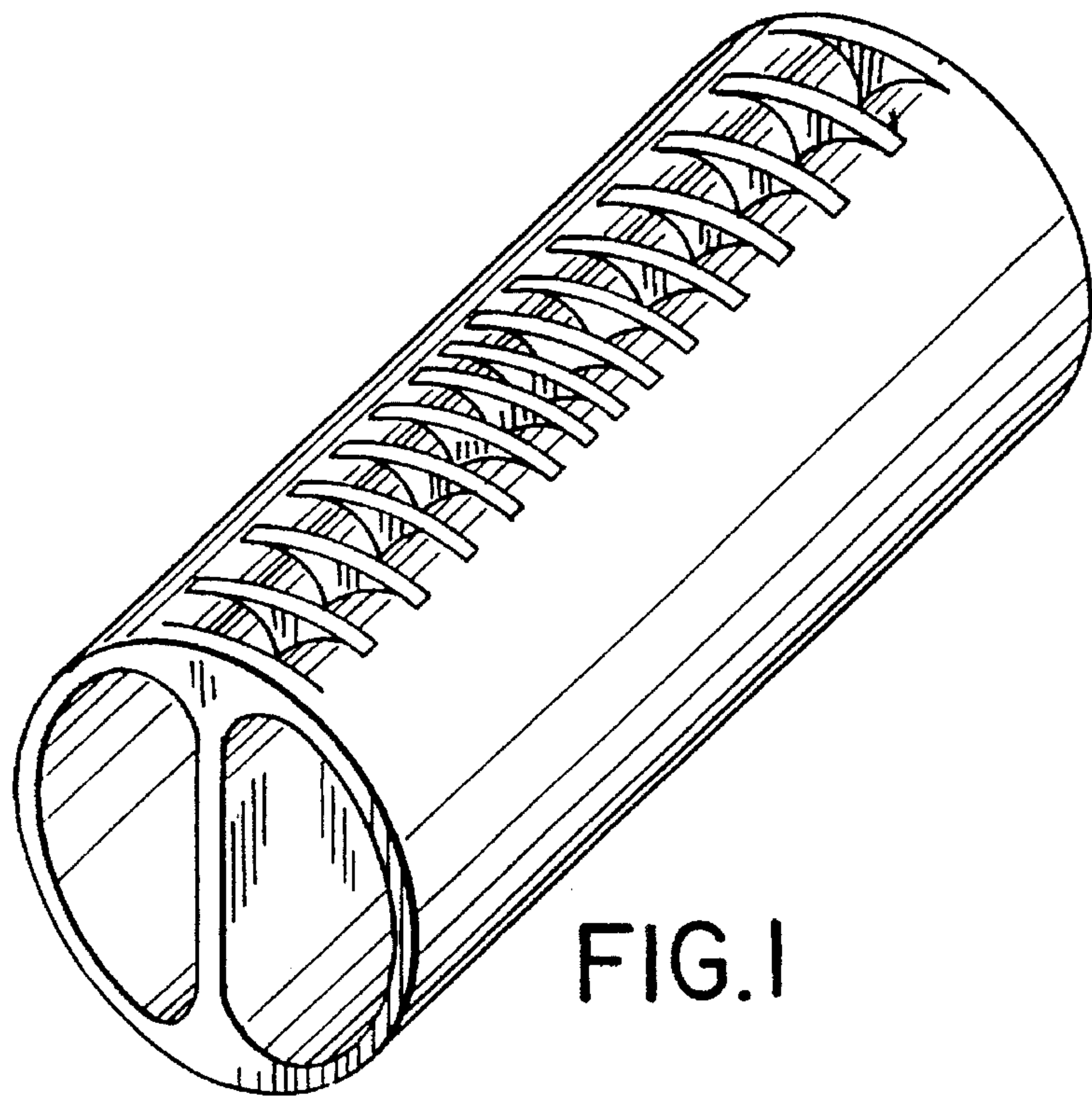


FIG. 1

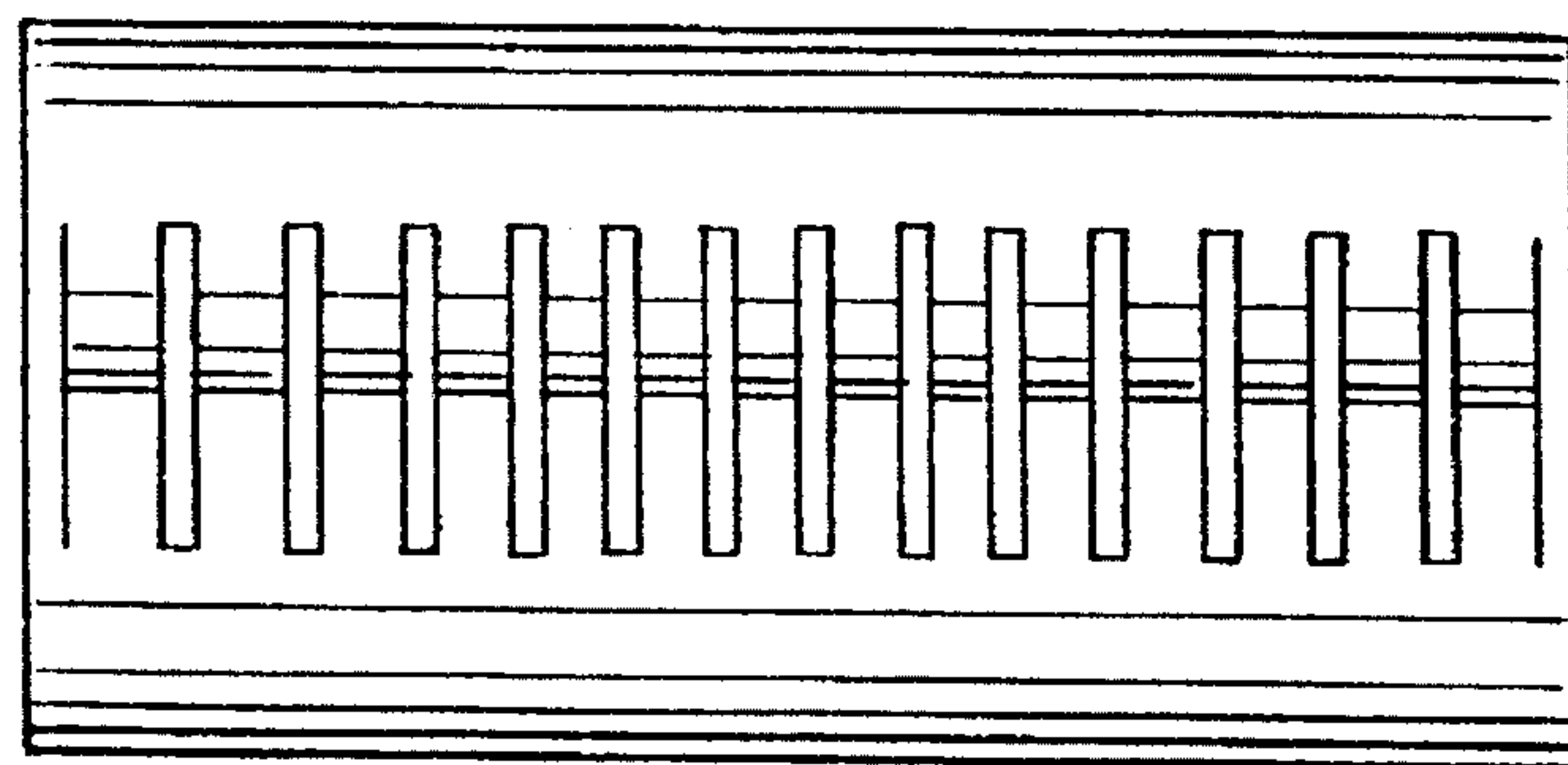


FIG. 2

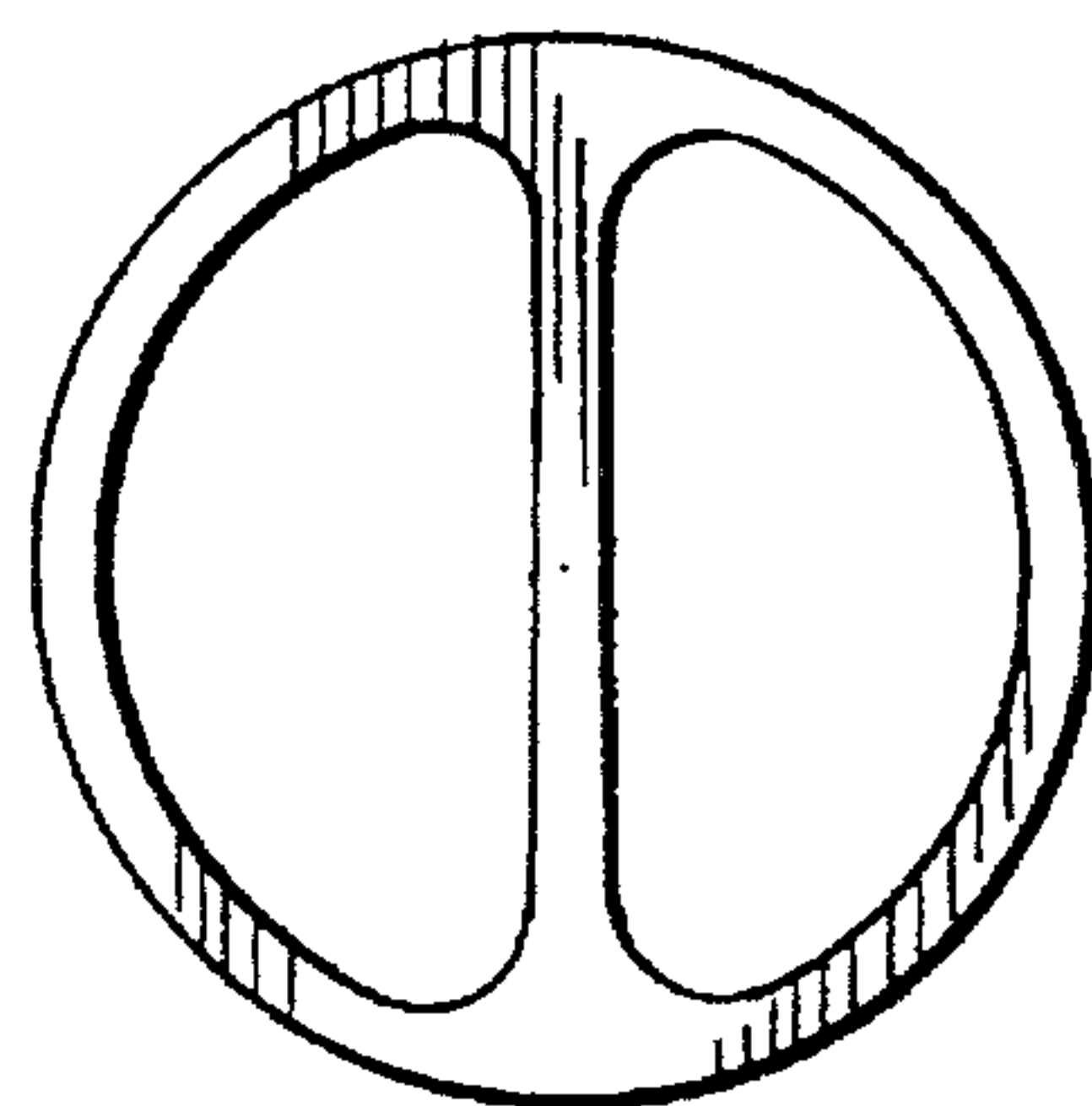


FIG. 3

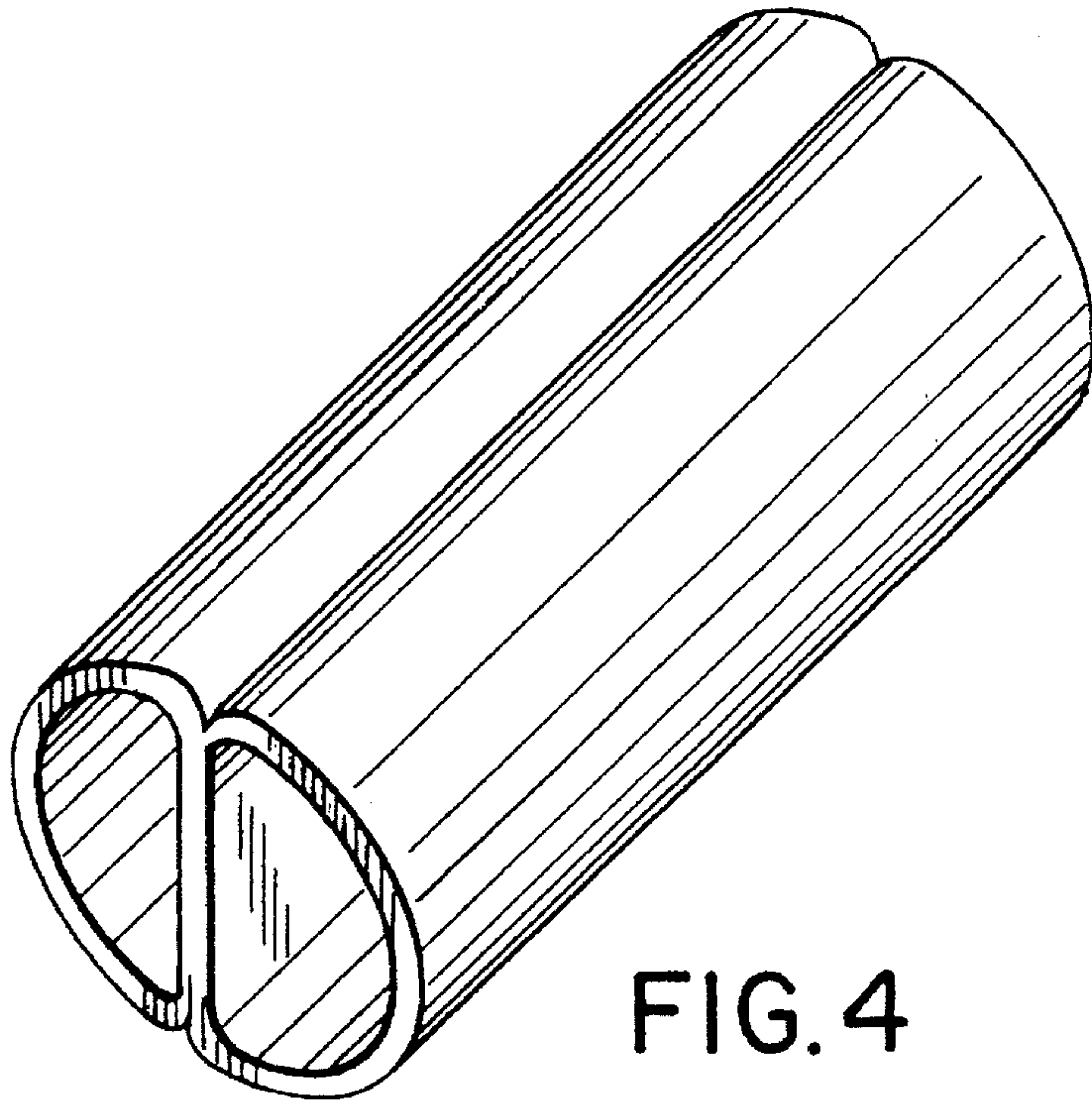


FIG. 4

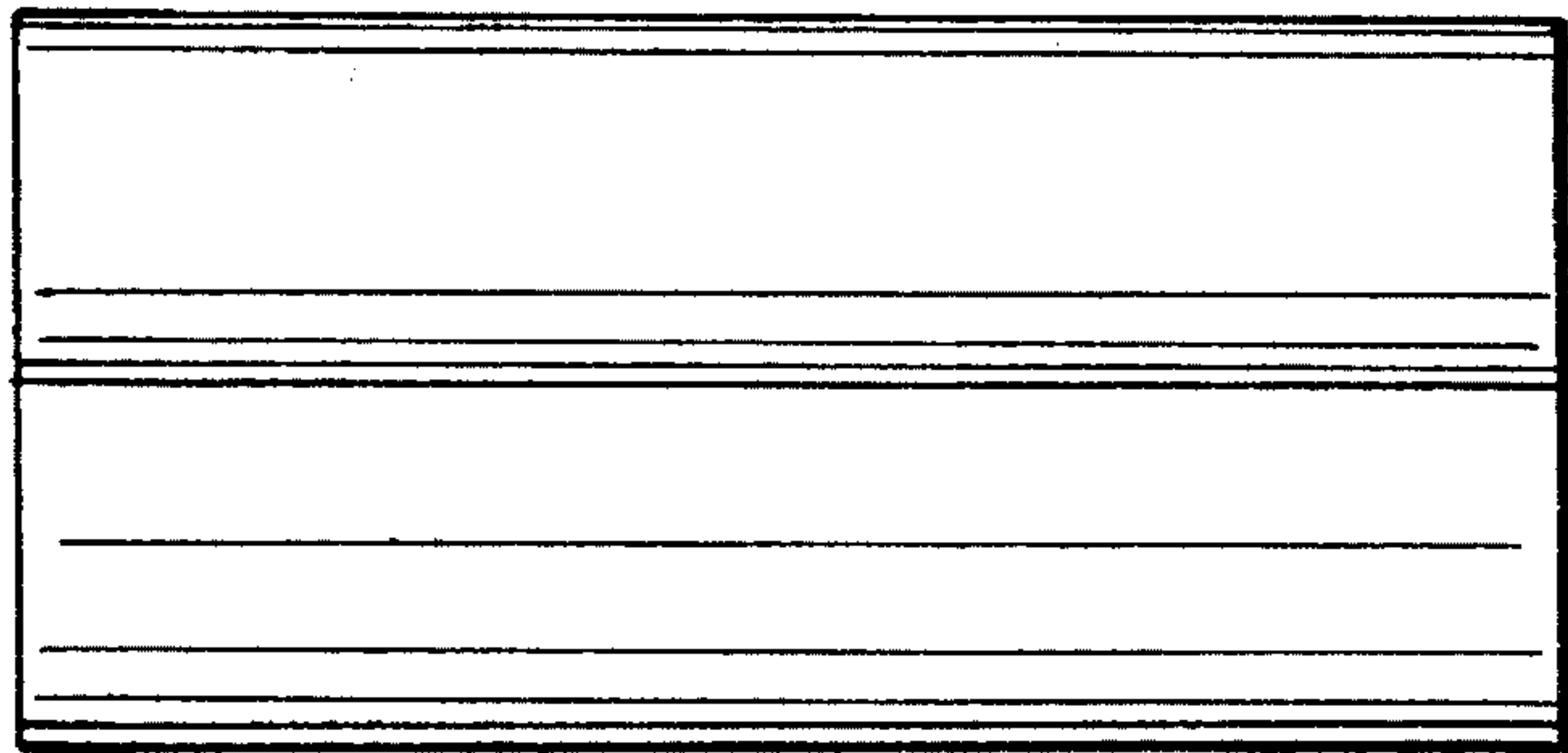


FIG. 5

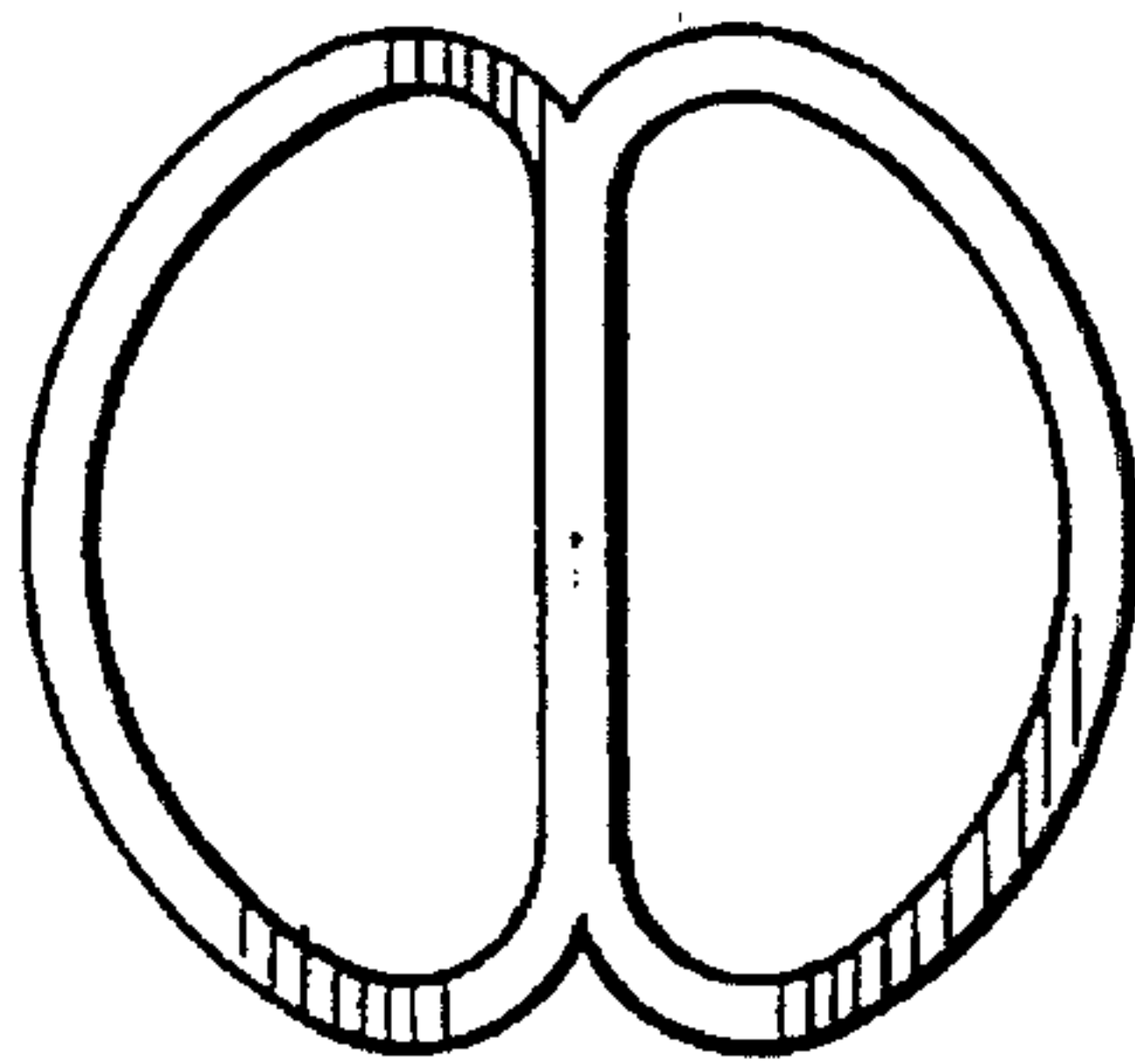


FIG. 6



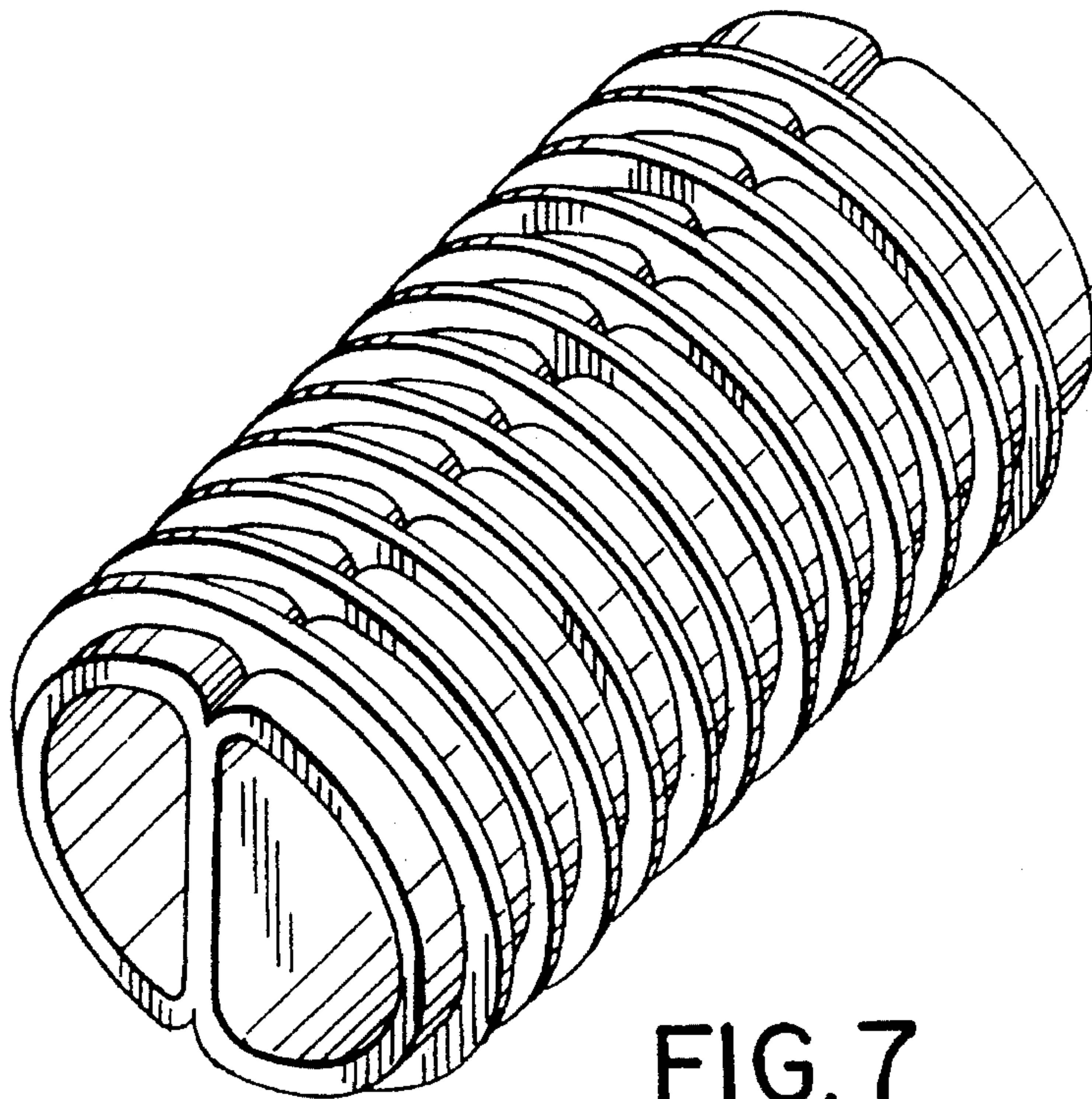


FIG. 7

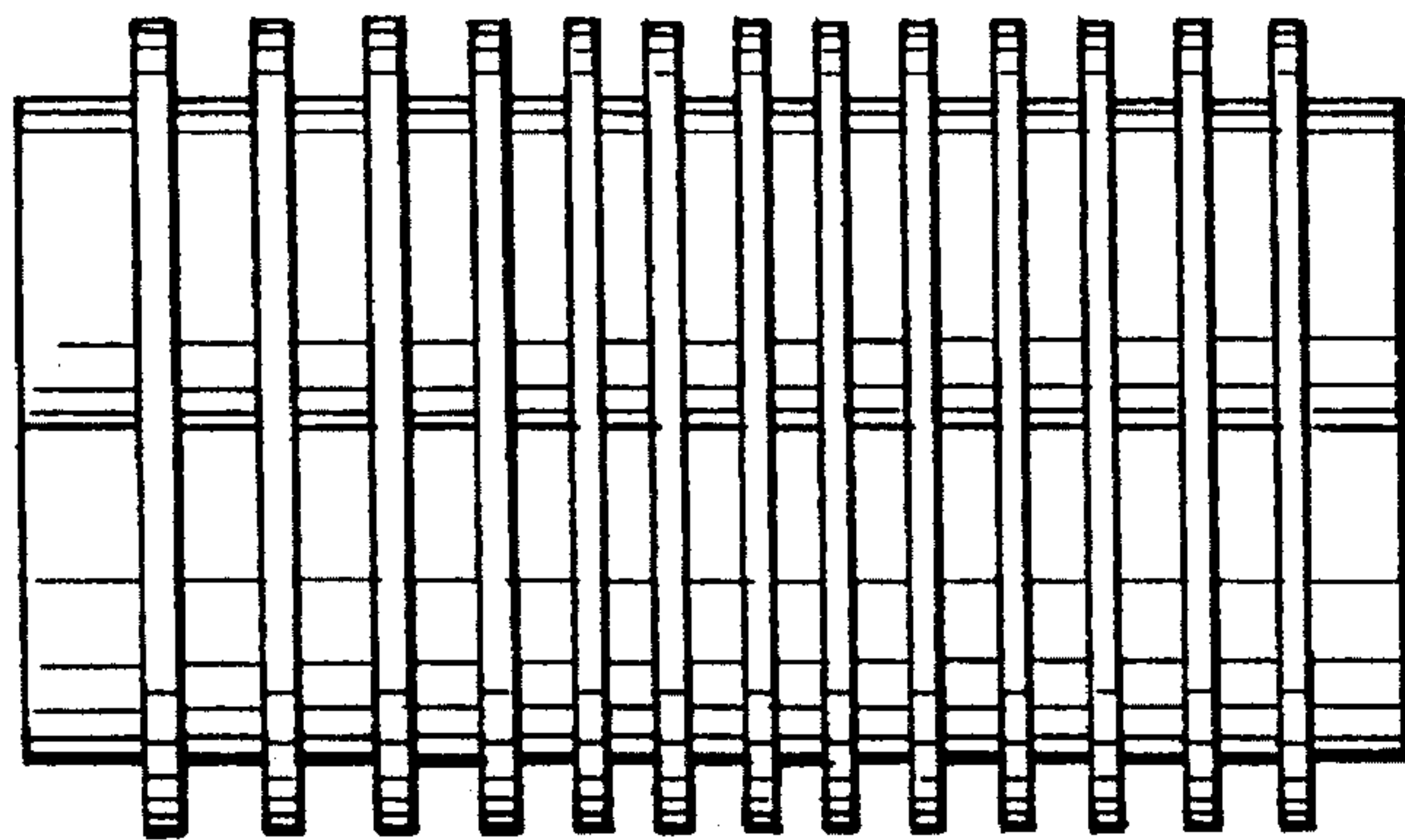


FIG. 8

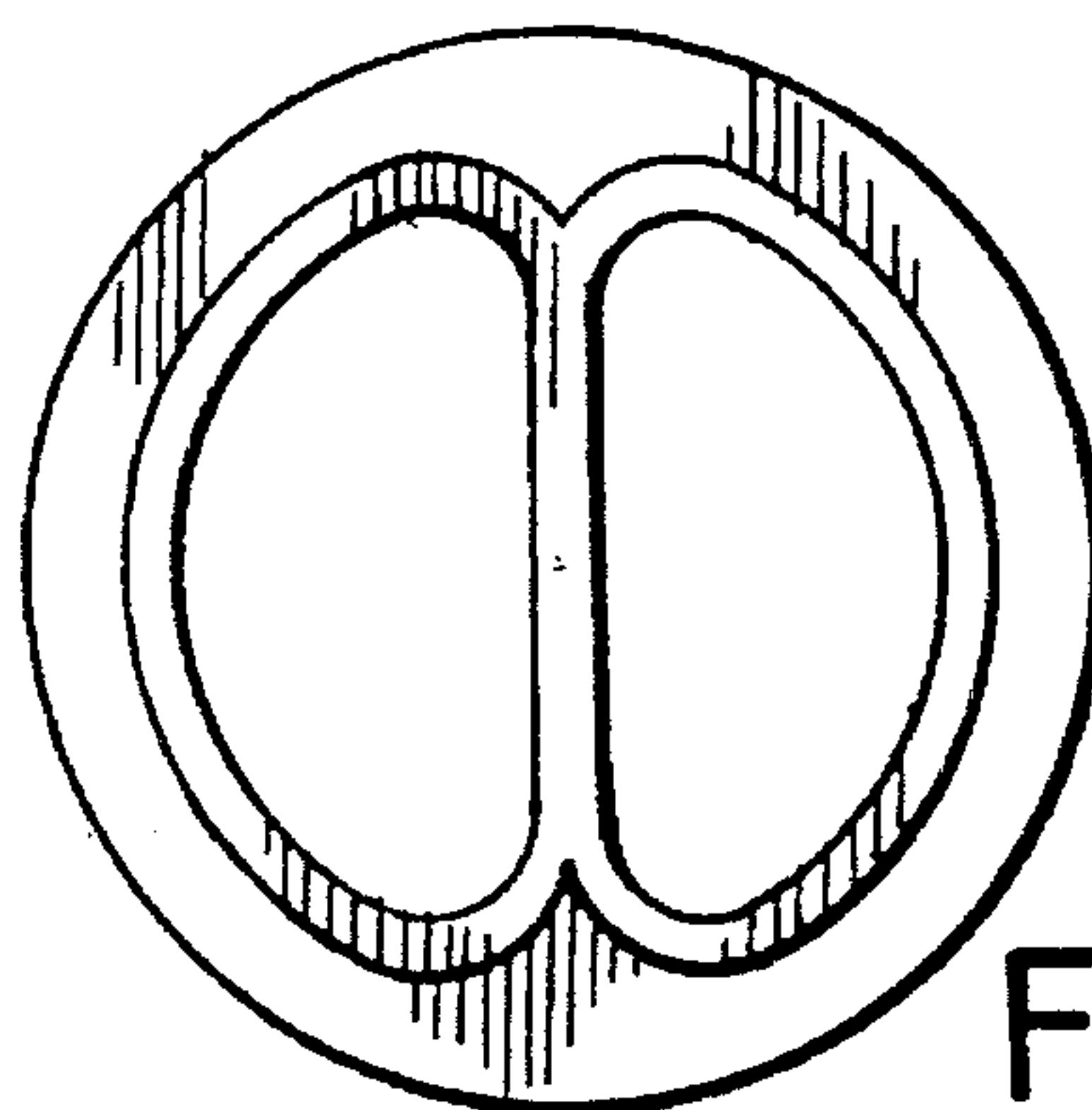


FIG. 9

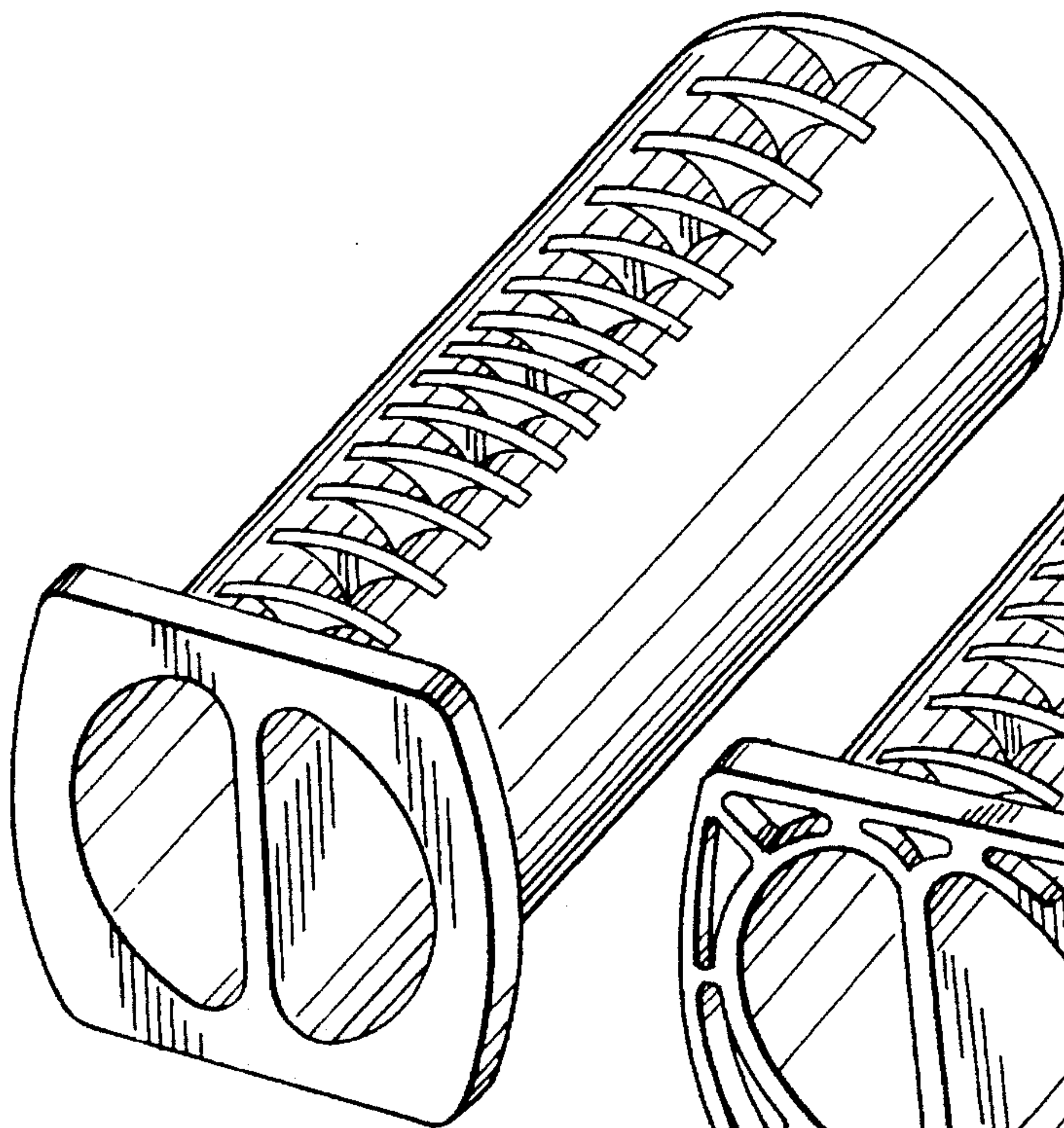


FIG. 10

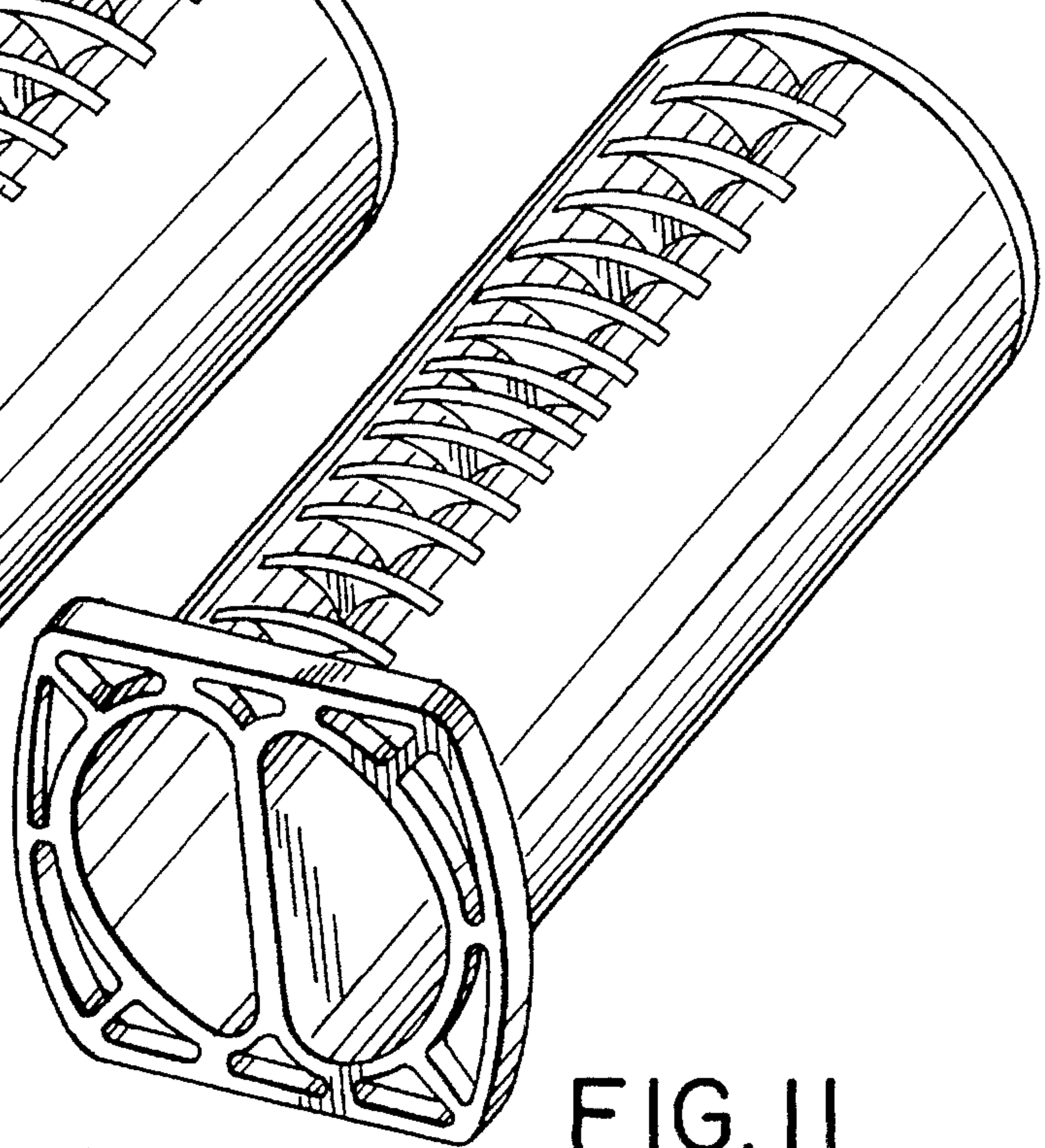


FIG. 11

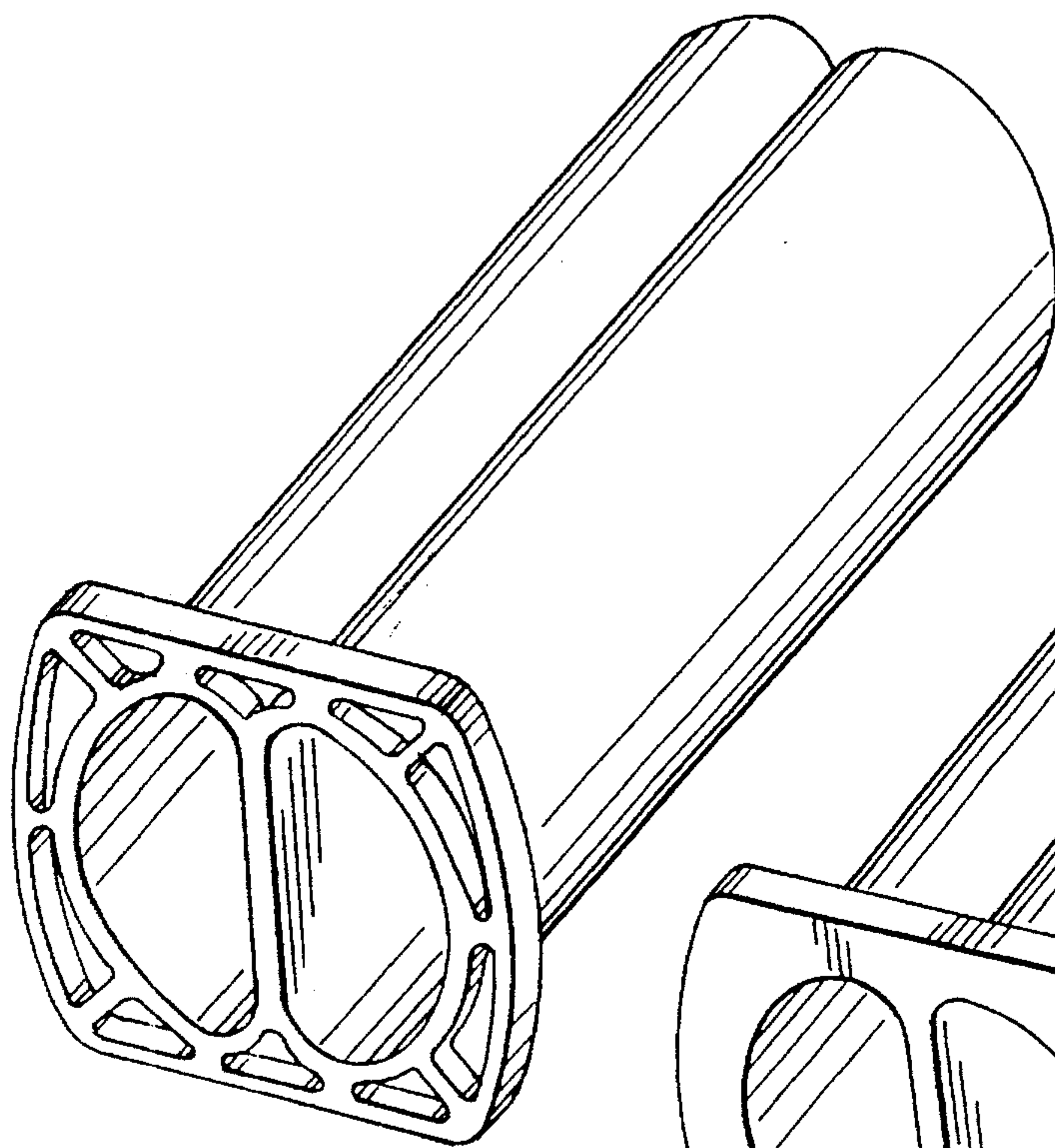


FIG. 12

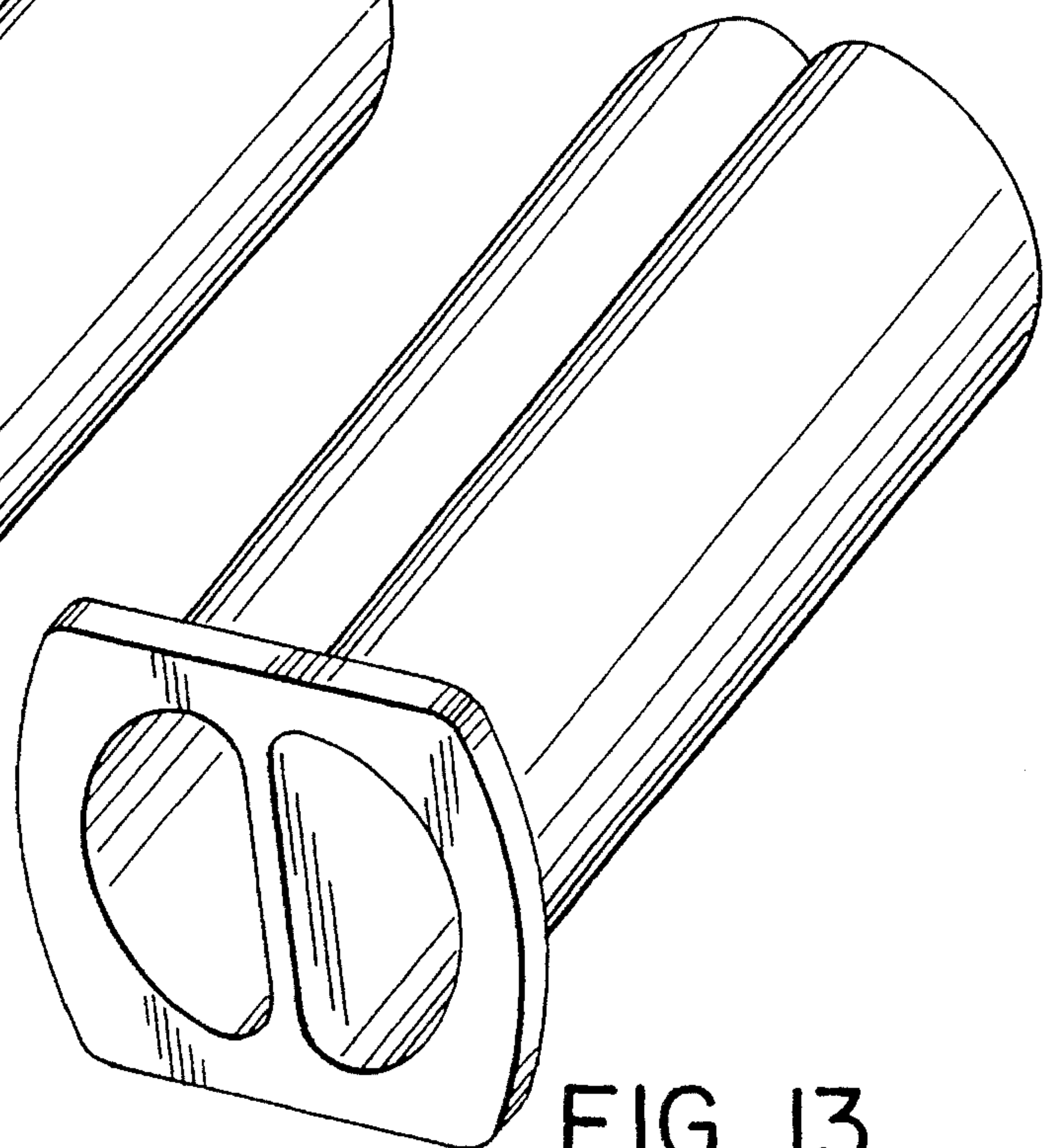


FIG. 13



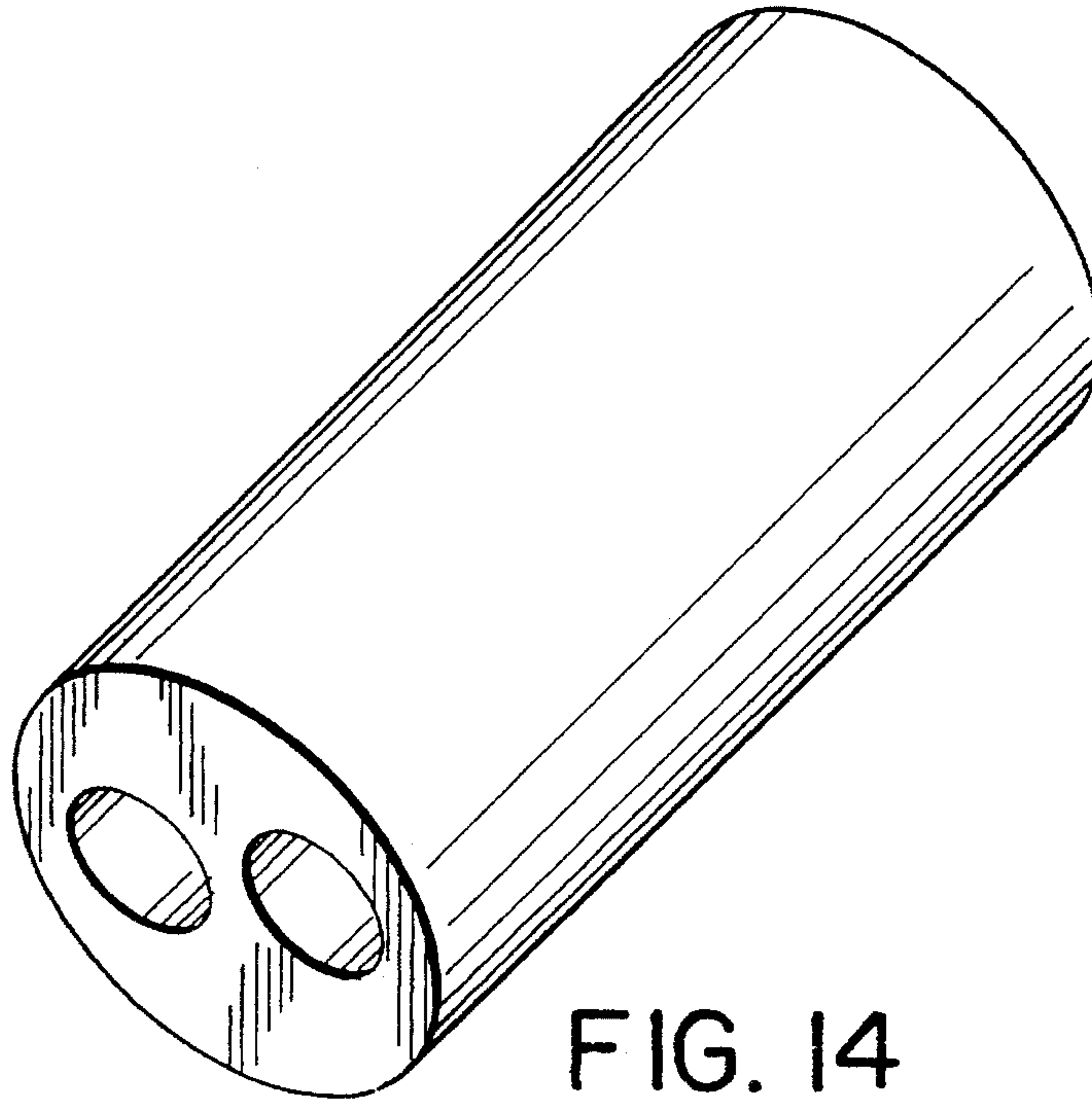


FIG. 14

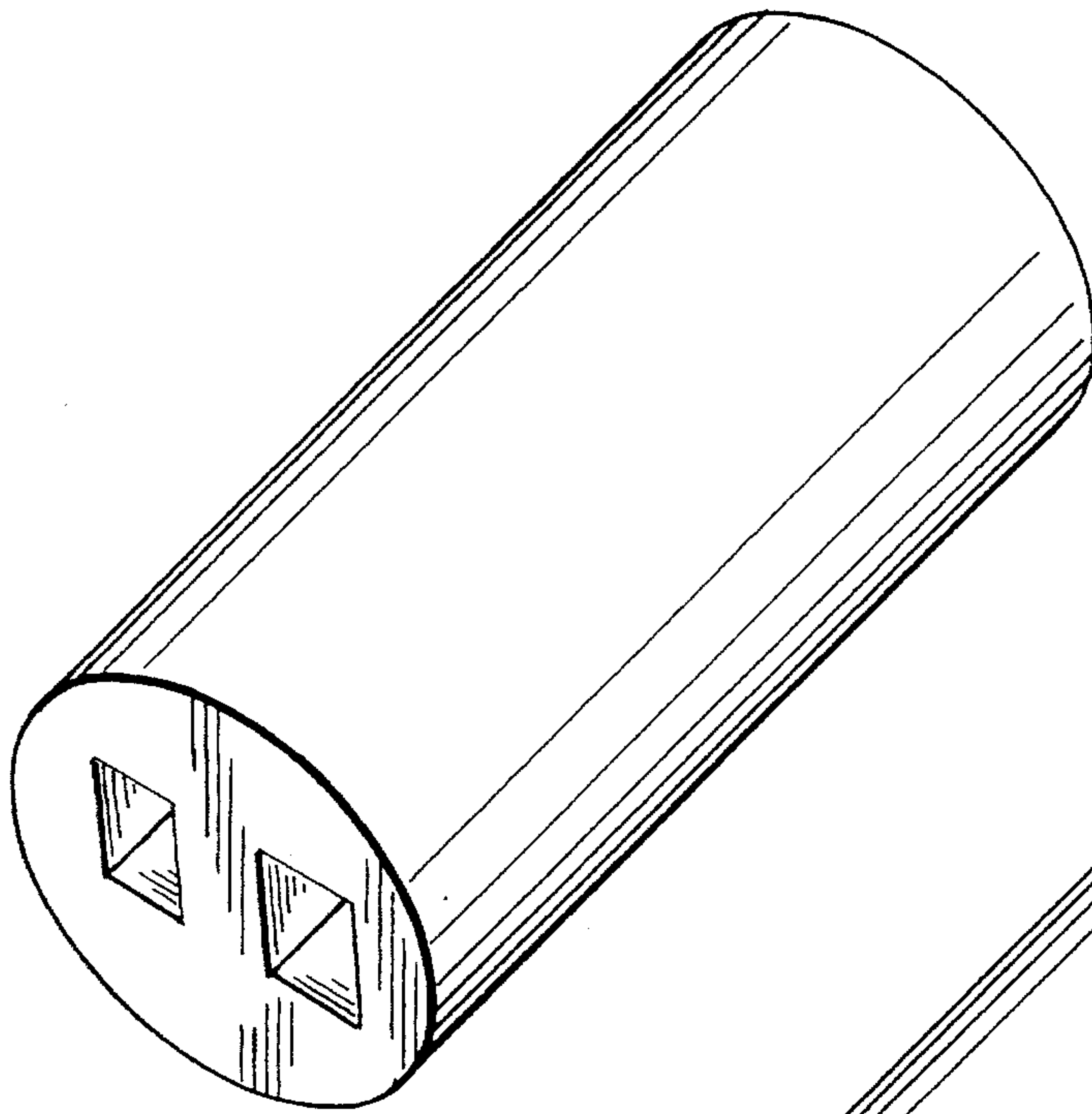


FIG. 15

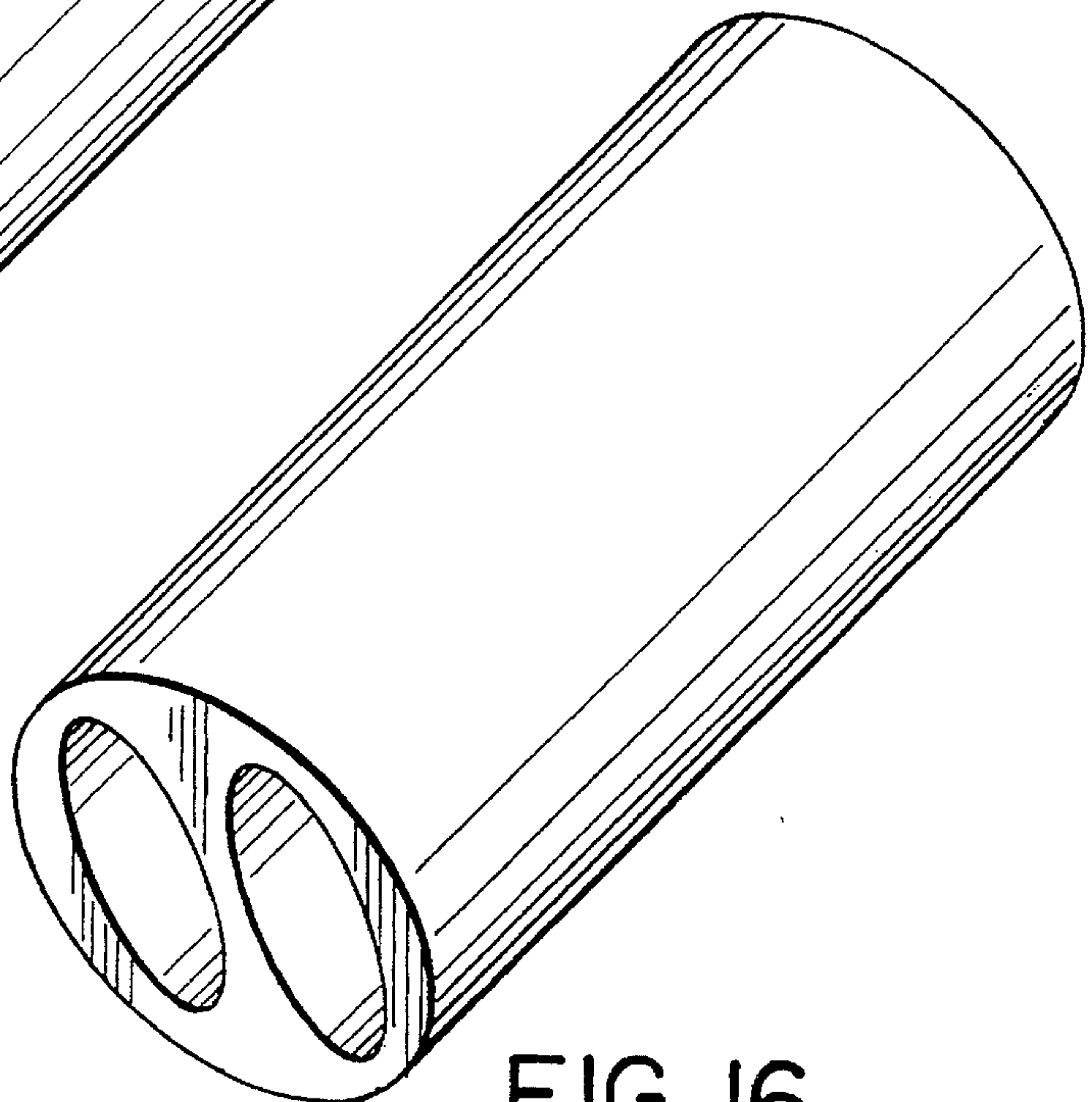


FIG. 16