



US00D362720S

United States Patent [19]

[11] Patent Number: **Des. 362,720**

Holmén et al.

[45] Date of Patent: ****Sep. 26, 1995**

[54] **ABUTMENT FOR USE IN ORAL IMPLANTOLOGY**

[75] Inventors: **Anders Holmén, Hovås; Leif Broberg,**
Göteborg, both of Sweden

[73] Assignee: **Aktiebolaget Astra,** Sodertalje, Sweden

[**] Term: **14 Years**

[21] Appl. No.: **7,625**

[22] Filed: **Apr. 28, 1993**

[30] **Foreign Application Priority Data**

Oct. 28, 1992	[SE]	Sweden	92-2221
Oct. 28, 1992	[SE]	Sweden	92-2227

[52] U.S. Cl. **D24/155**

[58] Field of Search D24/155; 433/174,
433/173, 172, 181

[56] **References Cited**

U.S. PATENT DOCUMENTS

5,009,596	4/1991	Soderberg	433/173
5,110,292	5/1992	Balfour et al.	433/173
5,114,343	5/1992	Musikanti et al.	433/173
5,195,891	3/1993	Sulc	433/173

OTHER PUBLICATIONS

"Astra Implant System Components and Instruments", Oct., 1990.

"Astra Tech Implant Dental System Components and Instruments", Jun., 1992.

"Astra Tech Implant Dental System", Feb., 1992.

Primary Examiner—Stella Reid
Attorney, Agent, or Firm—White & Case

[57] **CLAIM**

The ornamental design for an abutment for use in oral implantology, as shown and described.

DESCRIPTION

FIG. 1 is a top, front perspective view of an abutment replica for use in oral implantology;

FIG. 2 is a bottom, front perspective view thereof;

FIG. 3 is a plan view thereof;

FIG. 4 is a bottom plan view thereof;

FIG. 5 is a front elevational view thereof;

FIG. 6 is a side elevational side view thereof;

FIG. 7 is a top, front perspective view of a second embodiment of an abutment replica for use in oral implantology;

FIG. 8 is a bottom, front perspective view thereof;

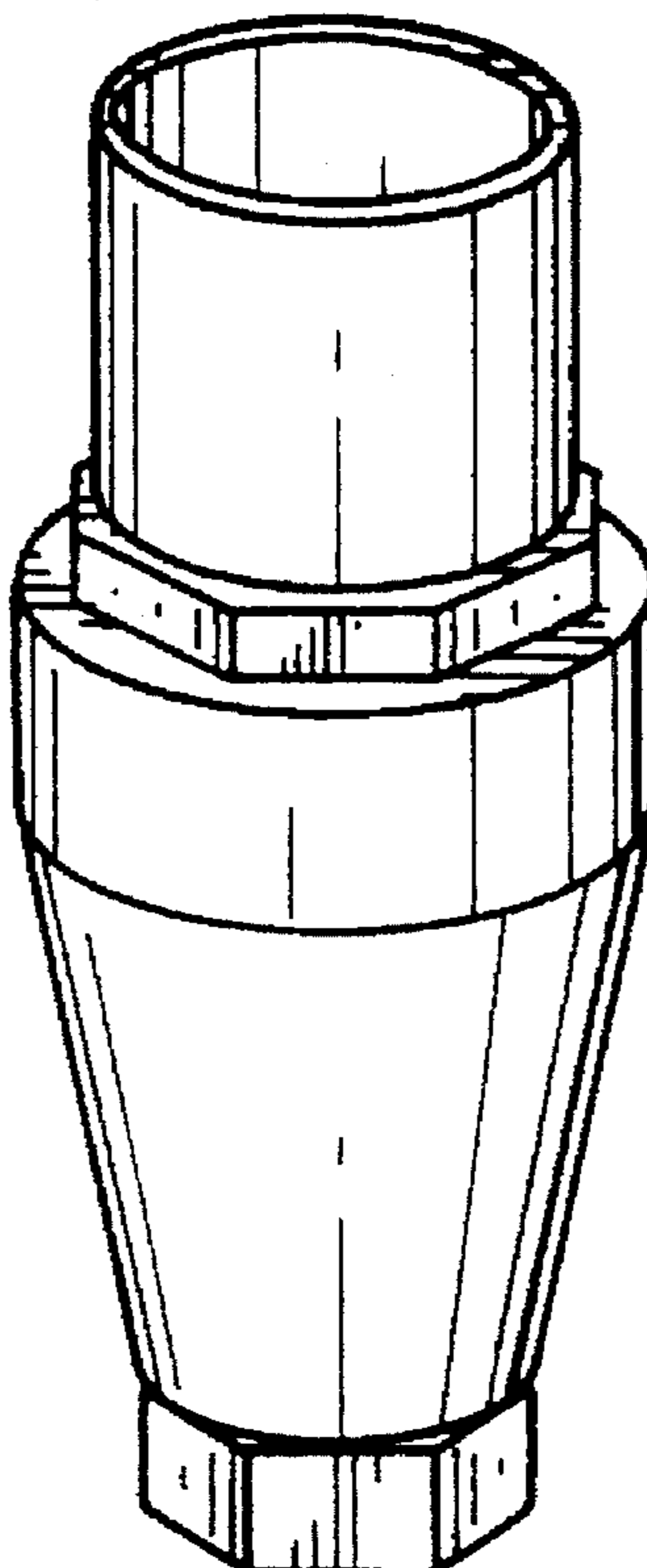
FIG. 9 is a top plan view thereof;

FIG. 10 is a bottom plan view thereof;

FIG. 11 is a front elevational view thereof; and,

FIG. 12 is a side elevational view thereof.

1 Claim, 2 Drawing Sheets



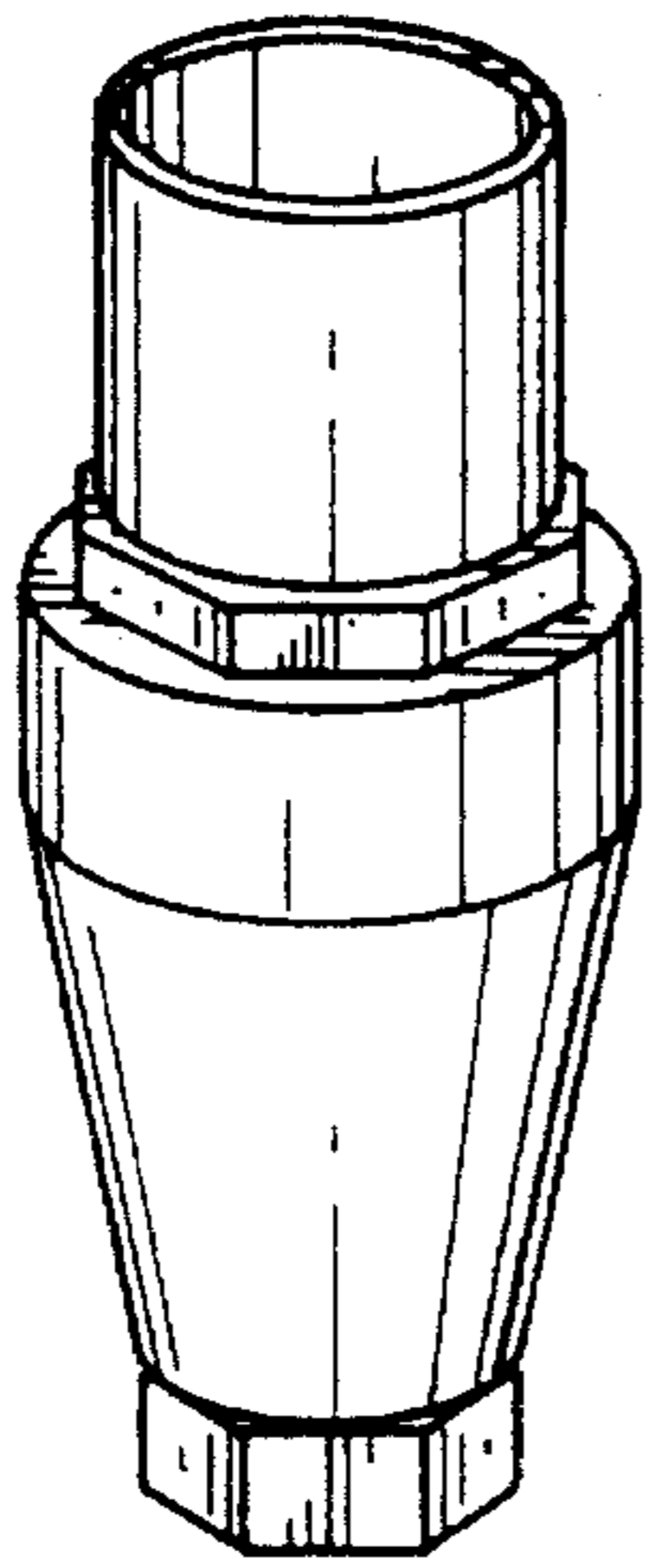


FIG. 1

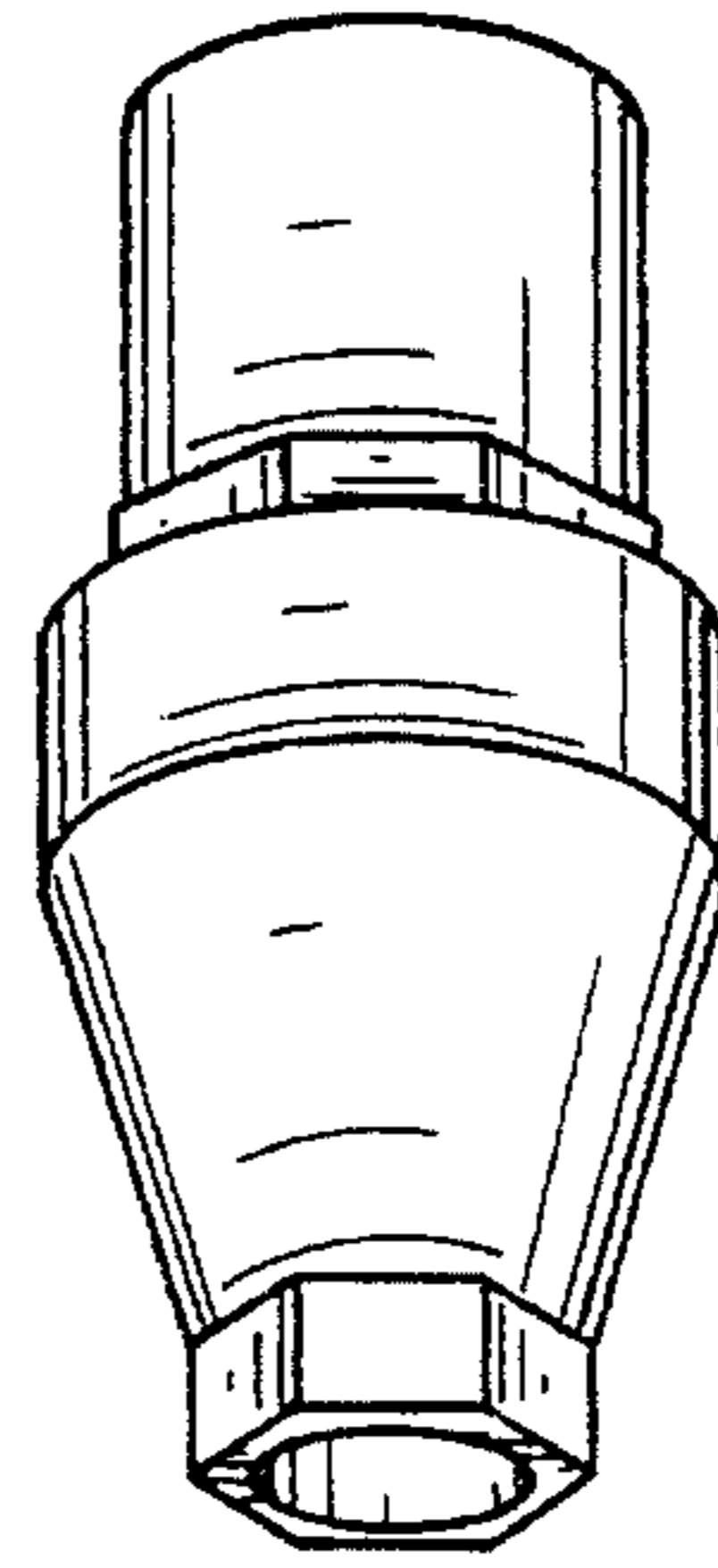


FIG. 2

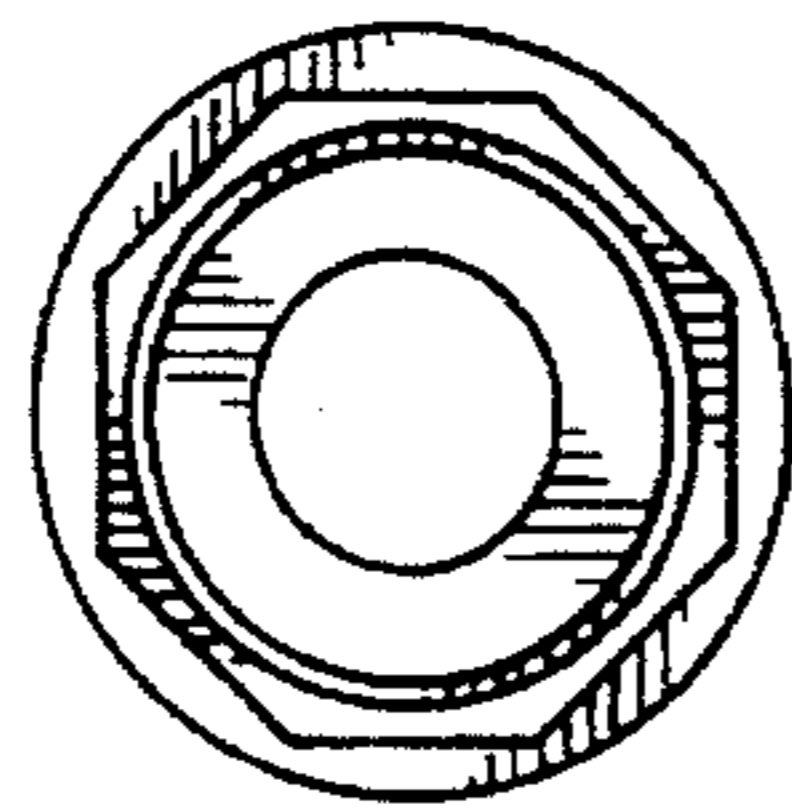


FIG. 3

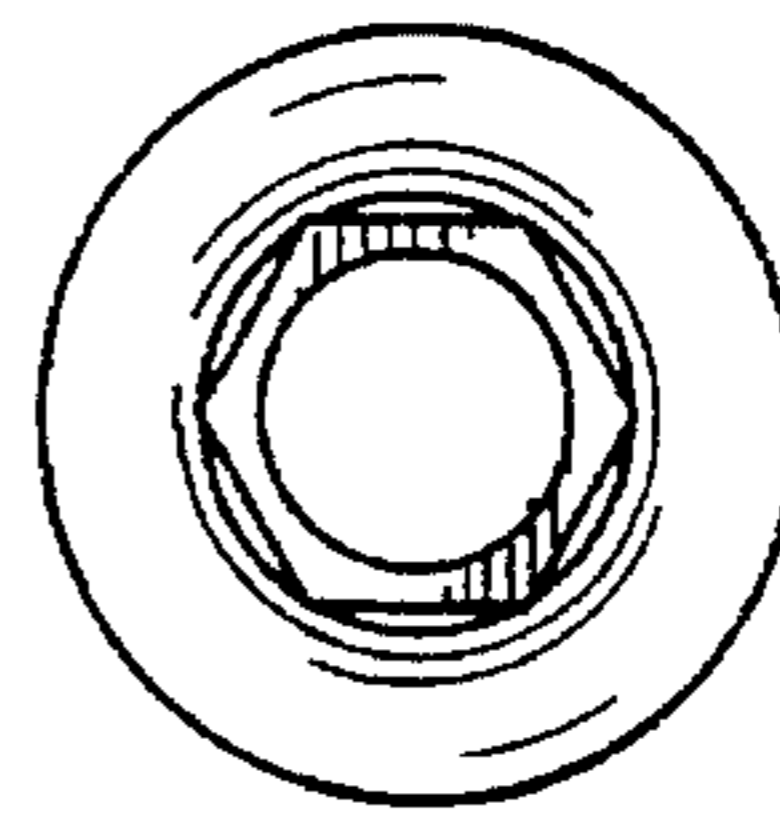


FIG. 4

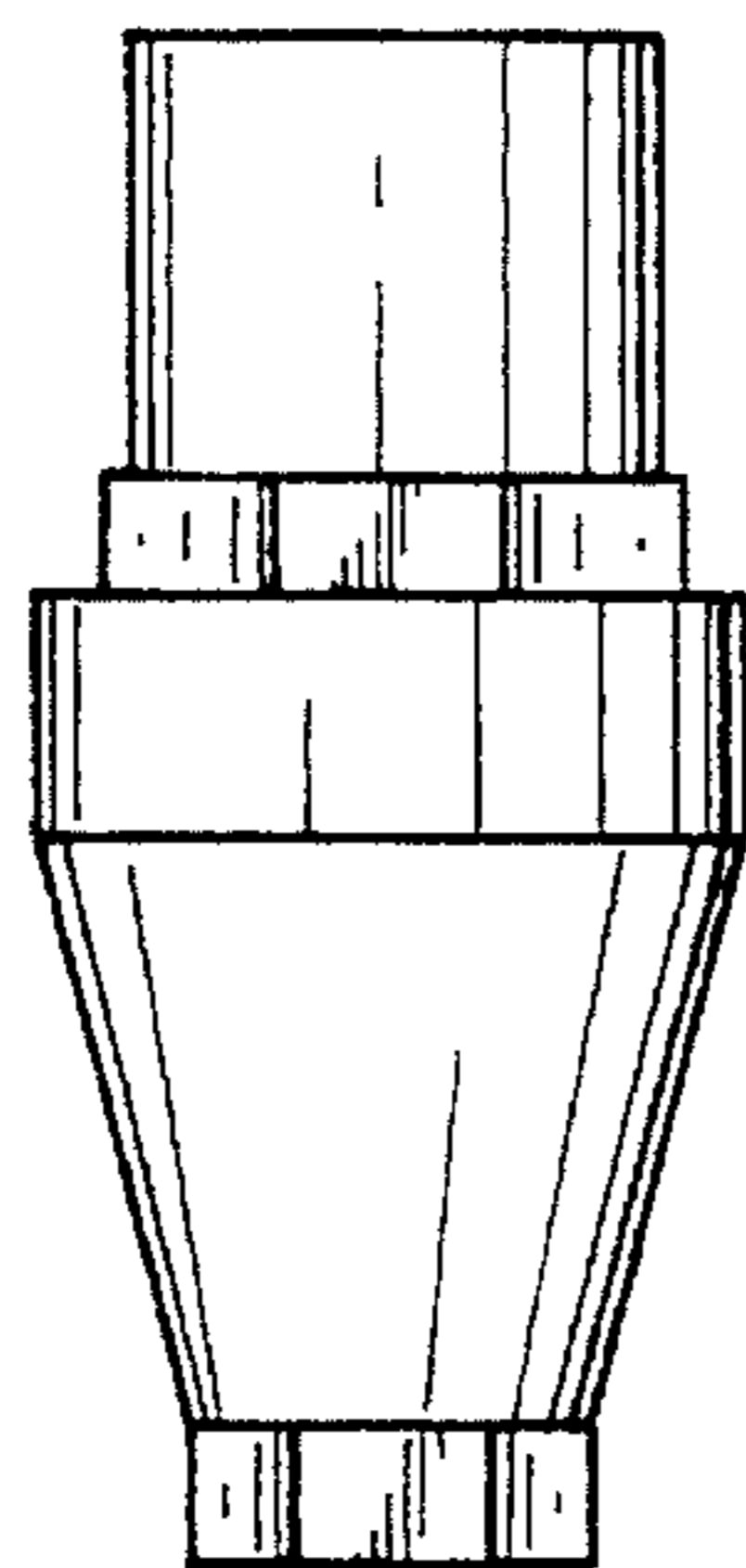


FIG. 5

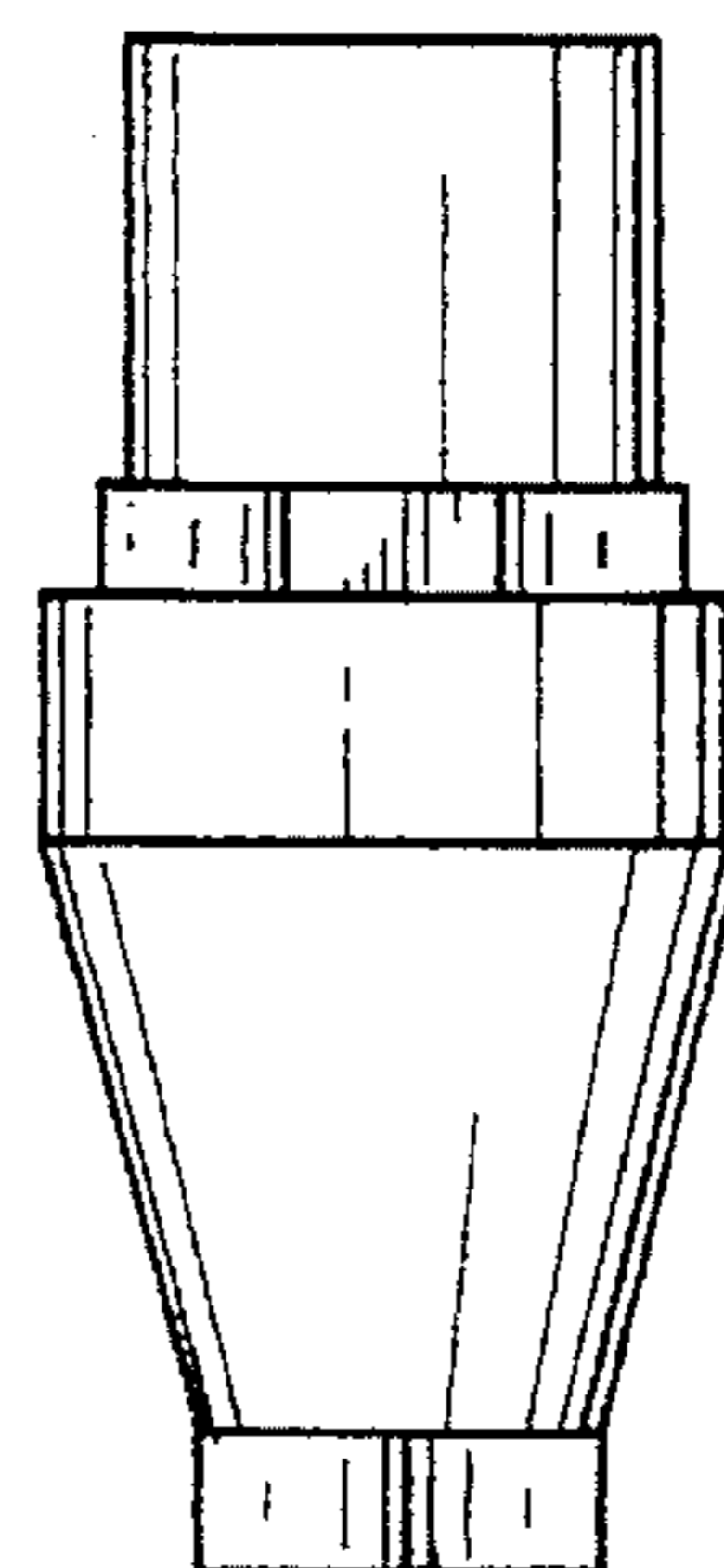


FIG. 6

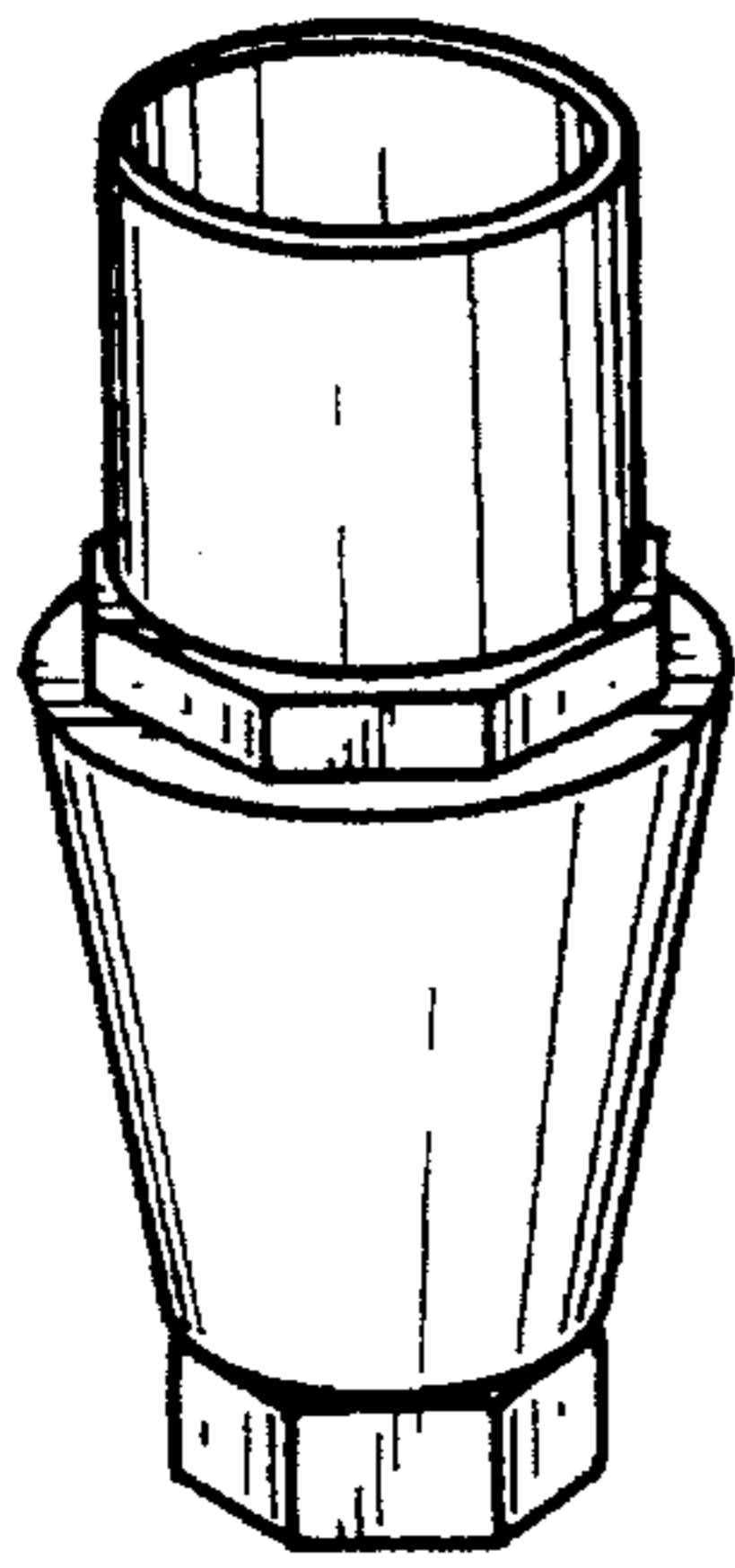


FIG. 7

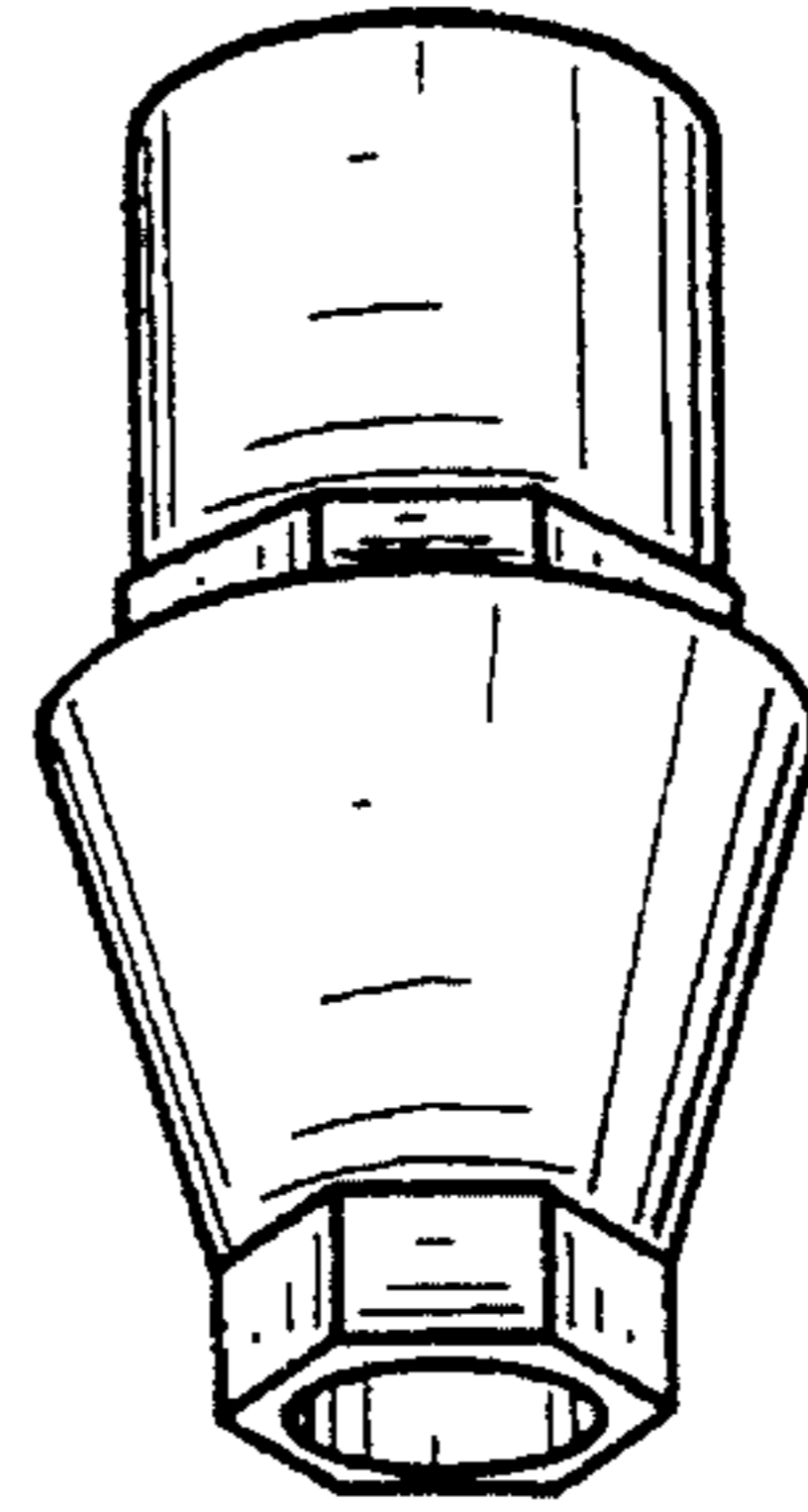


FIG. 8

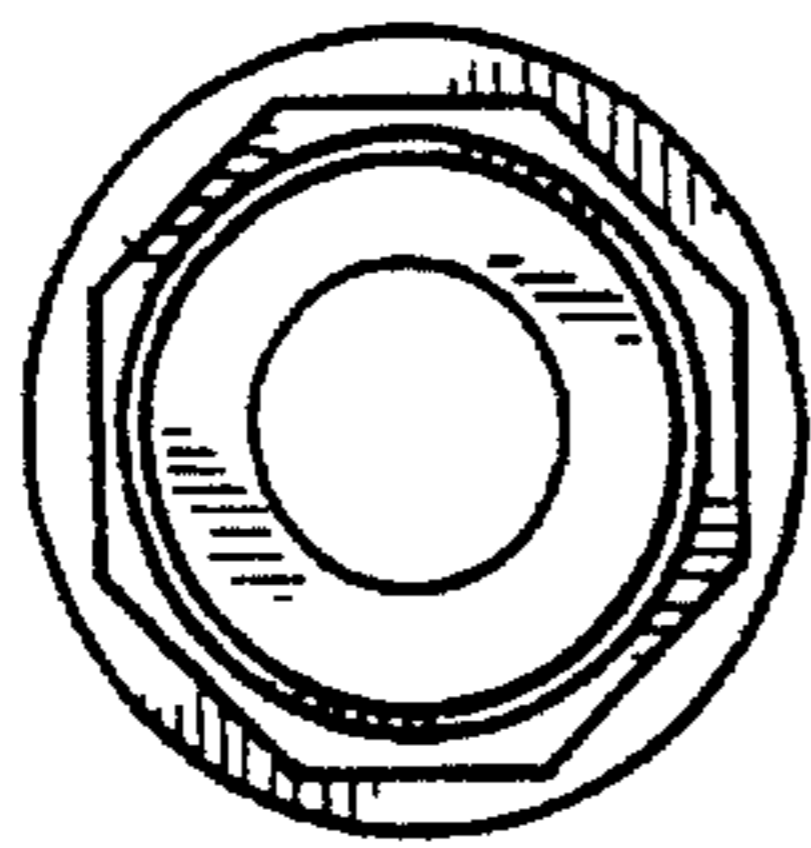


FIG. 9

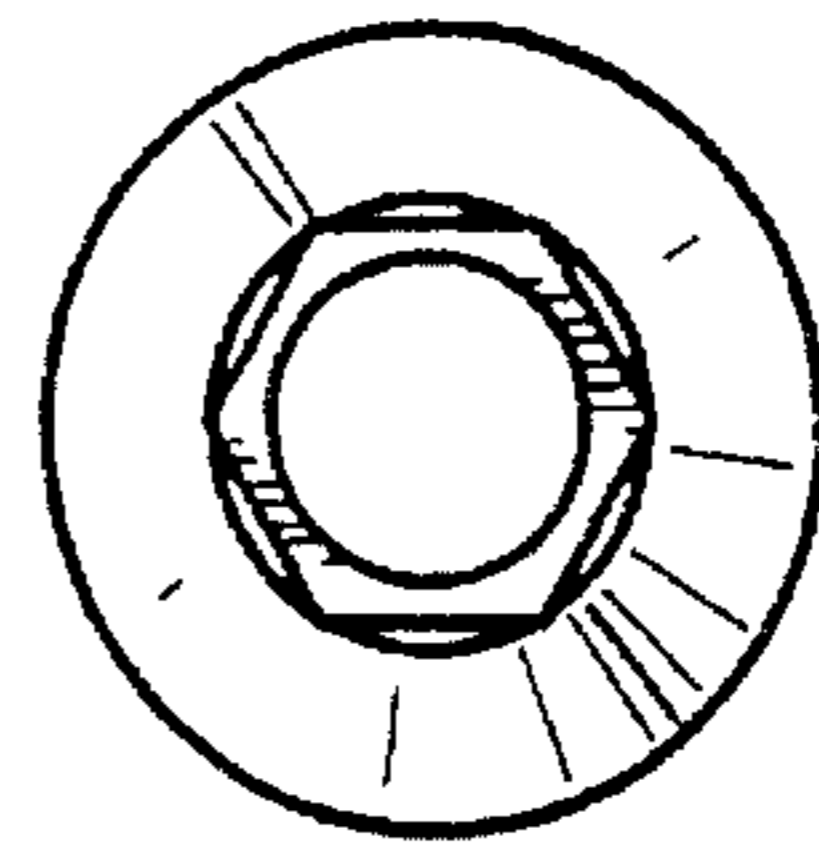


FIG. 10

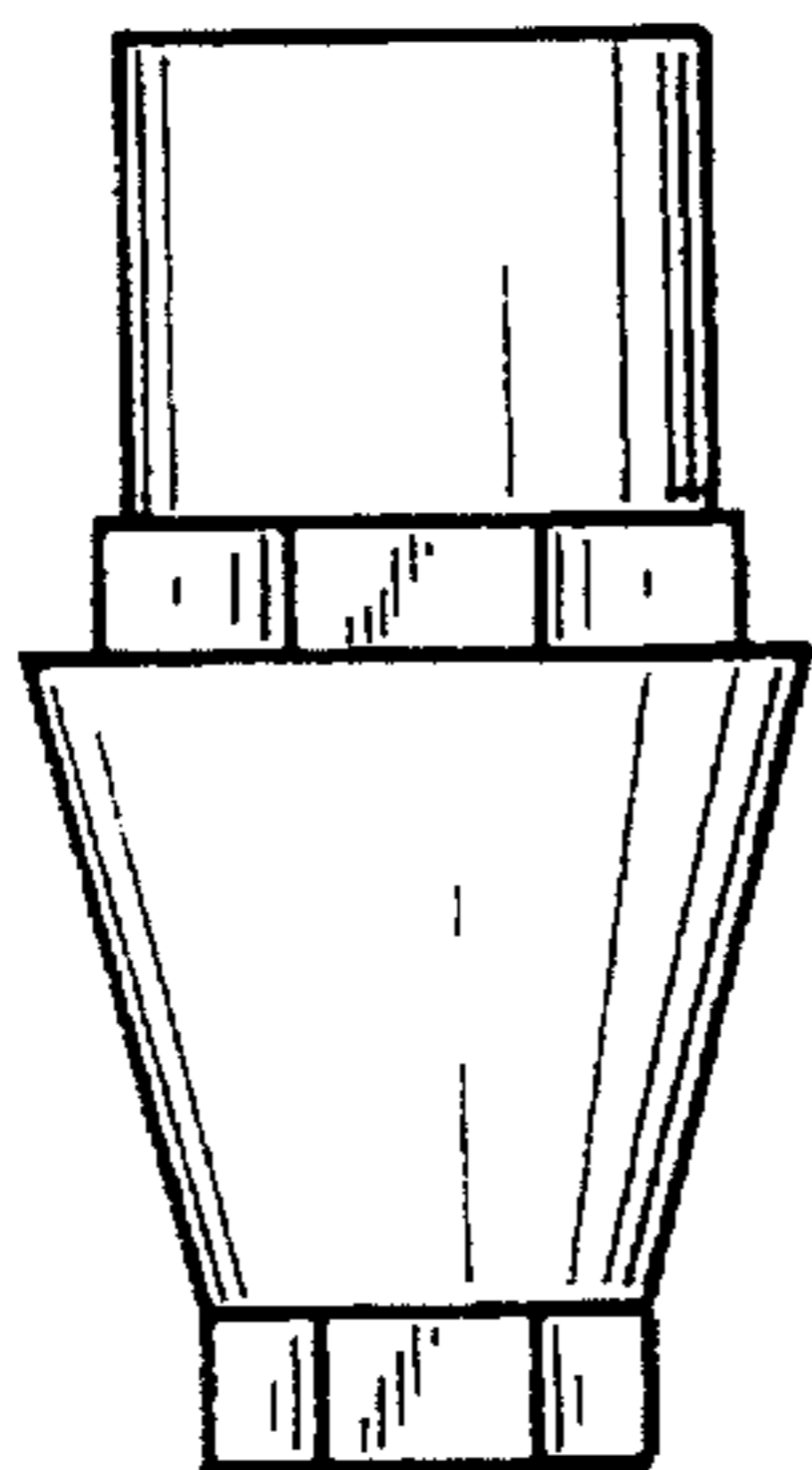


FIG. 11

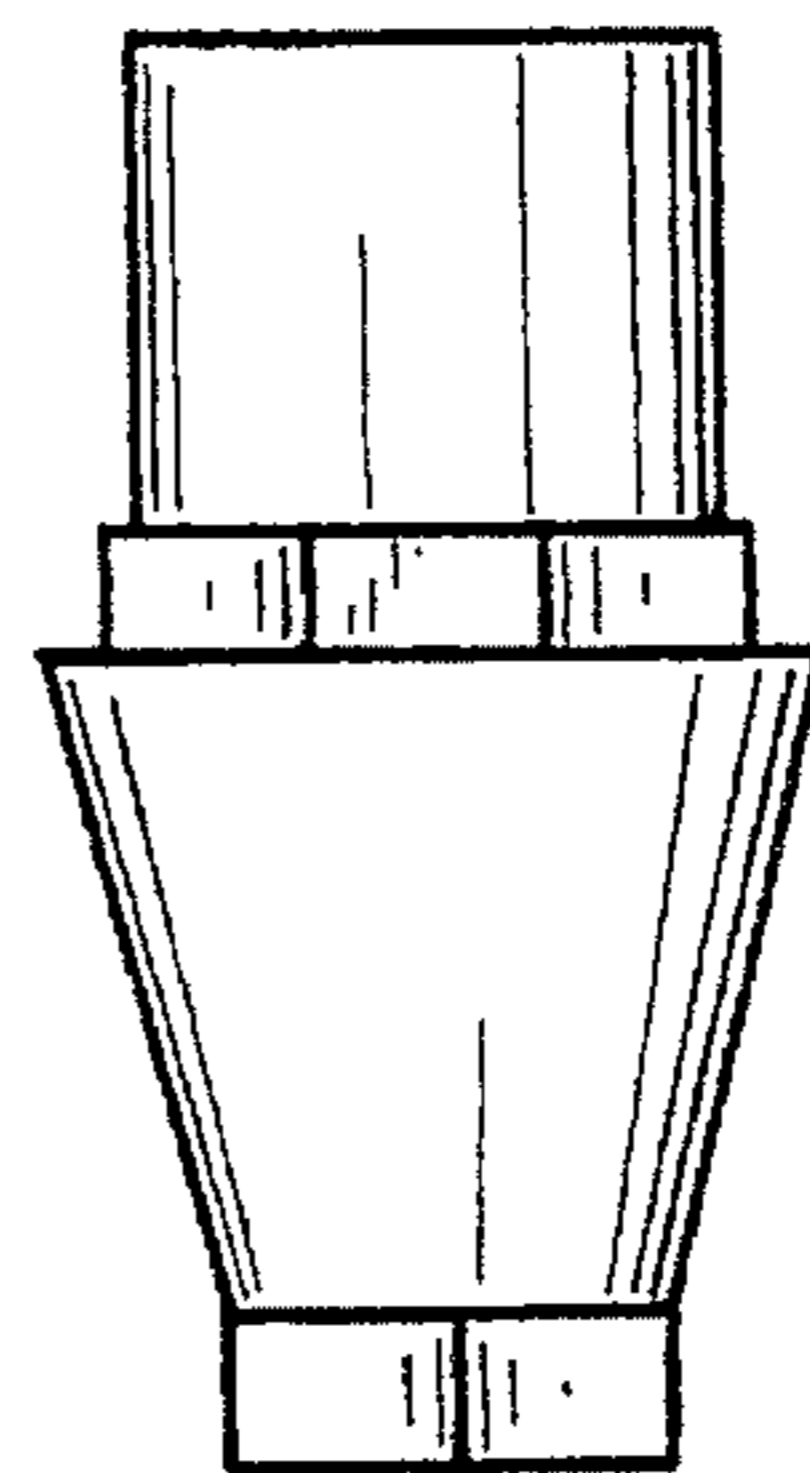


FIG. 12