



US00D362718S

United States Patent [19]

[11] Patent Number: **Des. 362,718**

Deily et al.

[45] Date of Patent: ****Sep. 26, 1995**

[54] **TURN LOCK CANNULA**

5,071,413	12/1991	Utterberg	604/283
5,139,483	8/1992	Ryan	604/283 X
5,158,554	10/1992	Jepson et al.	604/283
5,209,740	5/1993	Bryant et al.	604/283 X

[75] Inventors: **Michael F. Deily**, Tustin; **Wayne M. Parris**, Anaheim, both of Calif.

[73] Assignee: **McGaw, Inc.**, Irvine, Calif.

[**] Term: **14 Years**

Primary Examiner—Cathy Anne MacCormac
Assistant Examiner—I. Simmons
Attorney, Agent, or Firm—Christie, Parker & Hale

[21] Appl. No.: **21,768**

[57] **CLAIM**

[22] Filed: **Apr. 22, 1994**

The ornamental design for a turn lock cannula, as shown and described.

[52] U.S. Cl. **D24/129**

DESCRIPTION

[58] **Field of Search** D24/129, 112,
D24/128, 127, 108; 604/280, 283, 244,
413, 29, 403, 905

FIG. 1 is a perspective view of a turn lock cannula, showing our new design;

FIG. 2 is a front elevational view thereof;

FIG. 3 is a back elevational view thereof;

FIG. 4 is a side elevational view thereof, the opposite side elevational view being identical;

FIG. 5 is a top plan view thereof; and,

FIG. 6 is a bottom plan view thereof.

[56] **References Cited**

U.S. PATENT DOCUMENTS

4,508,367	4/1985	Oreopoulos et al.	285/3
4,511,359	4/1985	Vaillancourt	604/411
4,578,063	3/1986	Inman et al.	604/175
4,946,455	8/1990	Rusen	D24/129 X

1 Claim, 2 Drawing Sheets

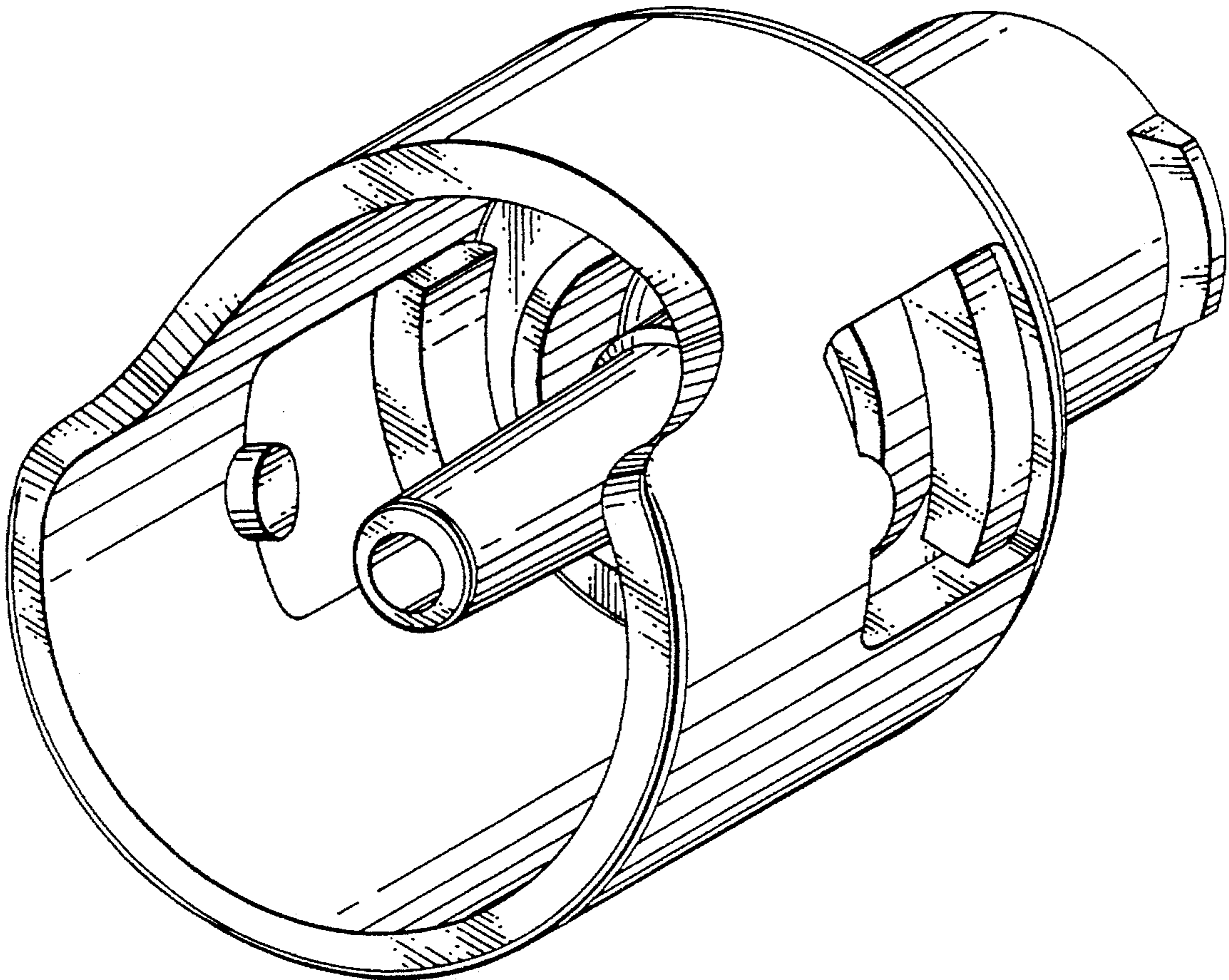


Fig. 1

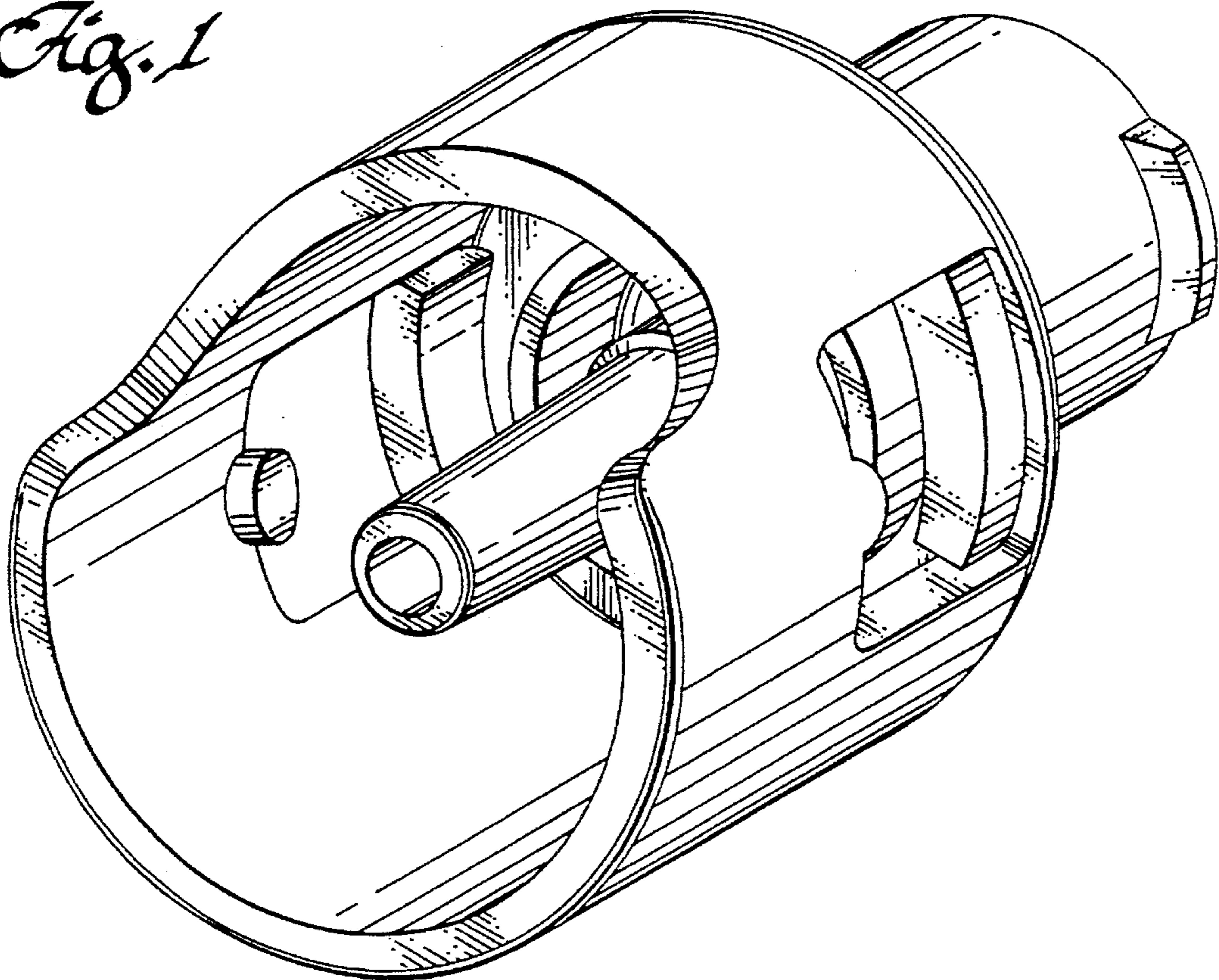


Fig. 5

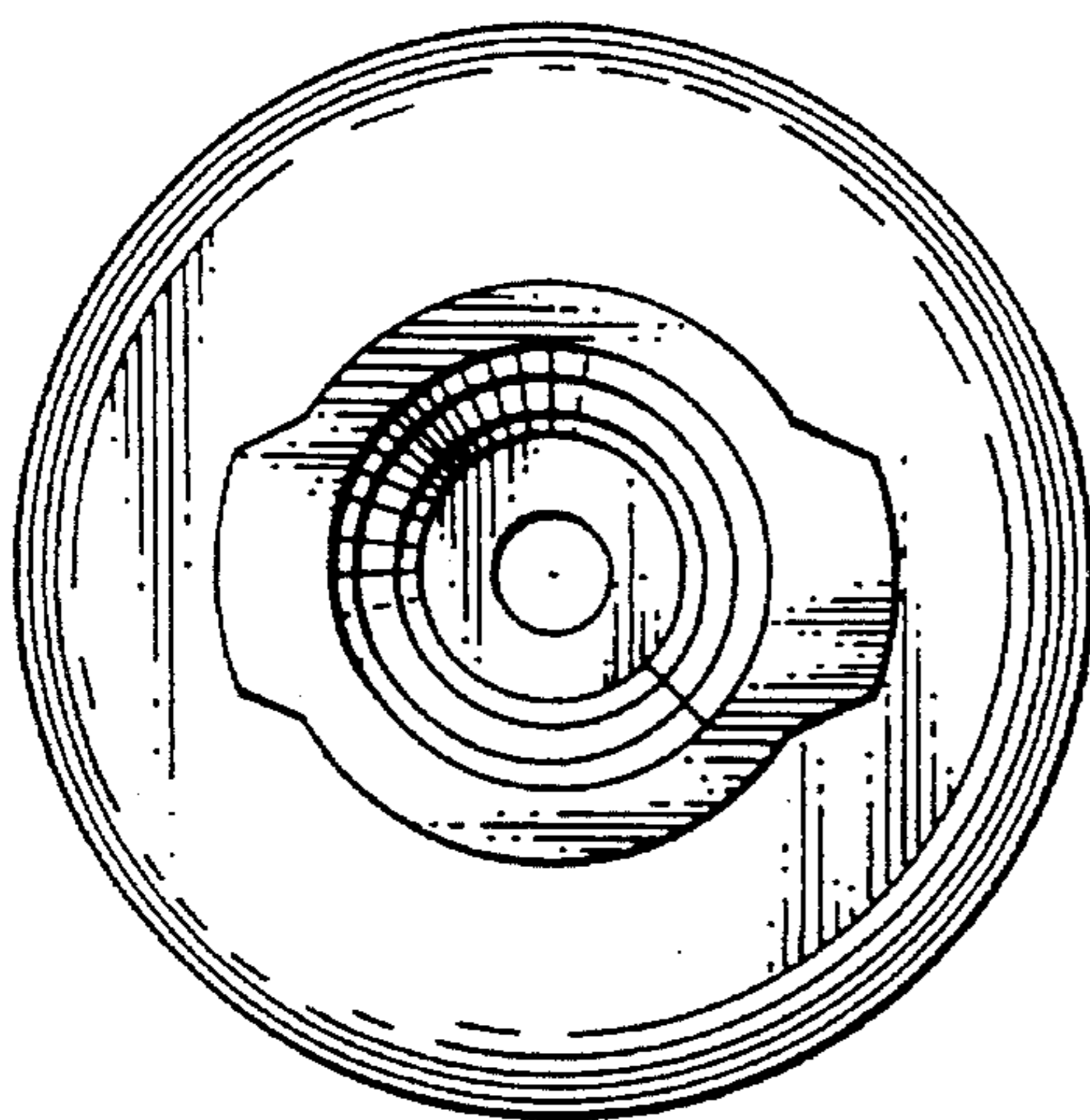


Fig. 6

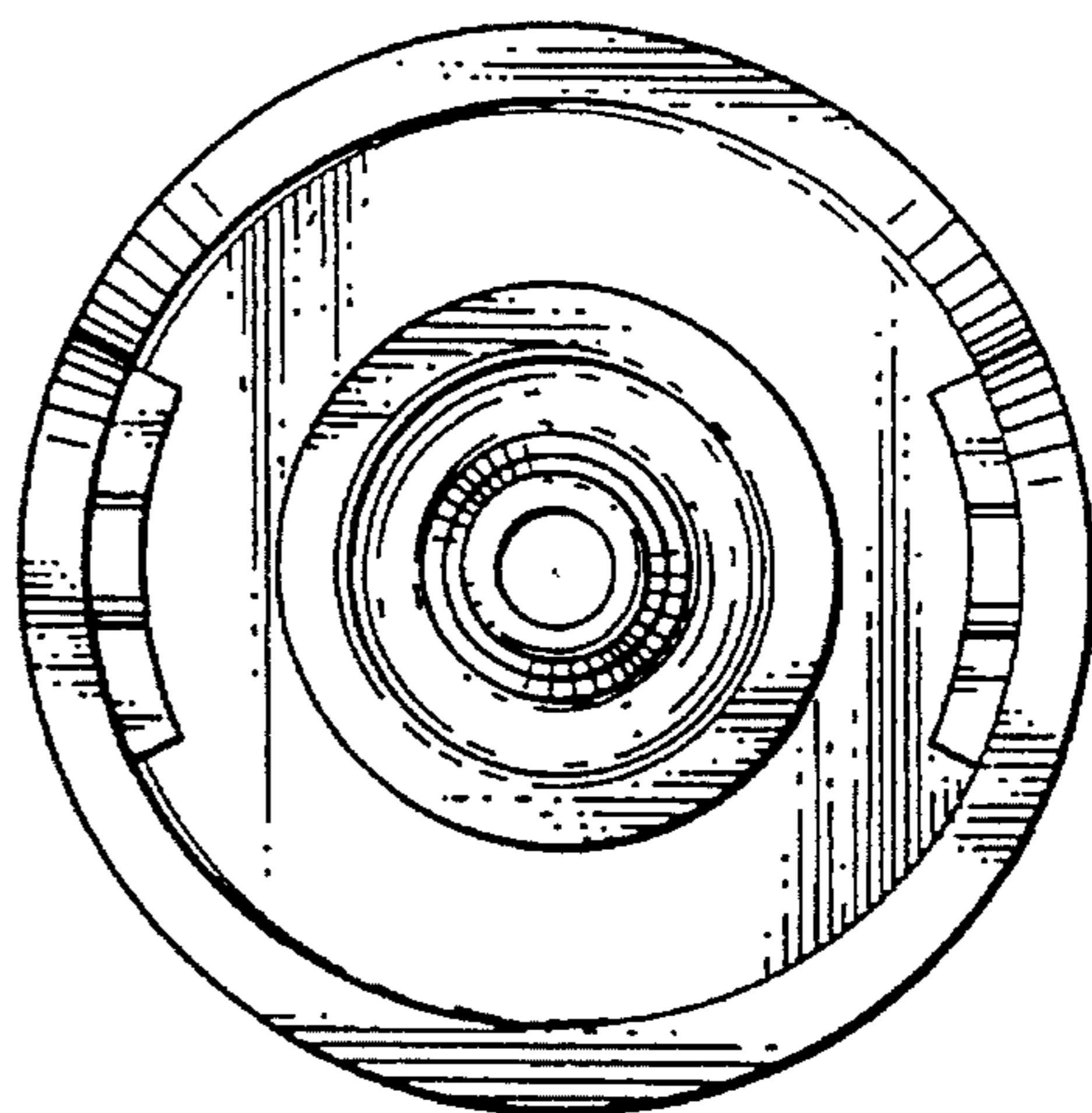


Fig. 1

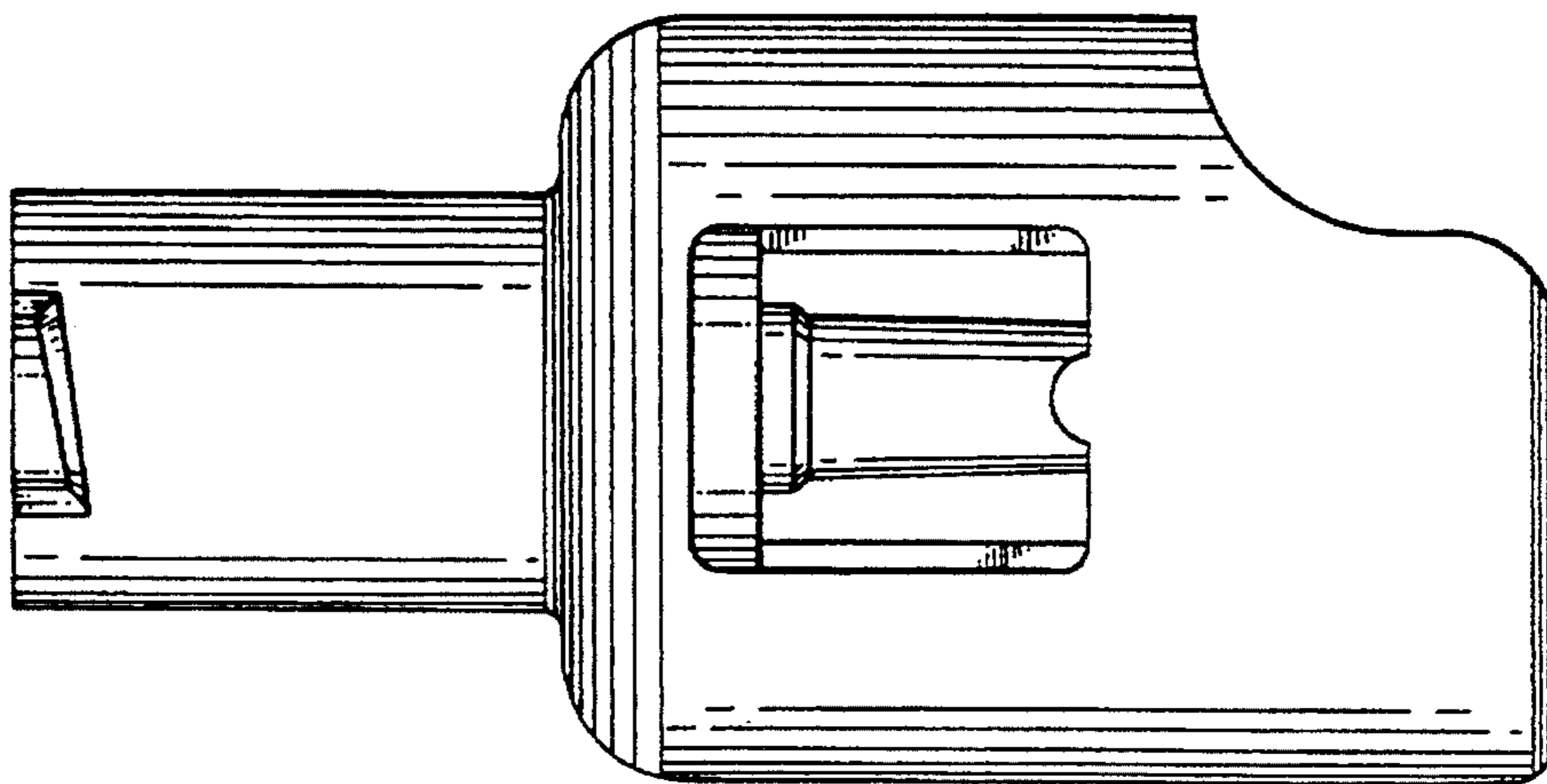


Fig. 3

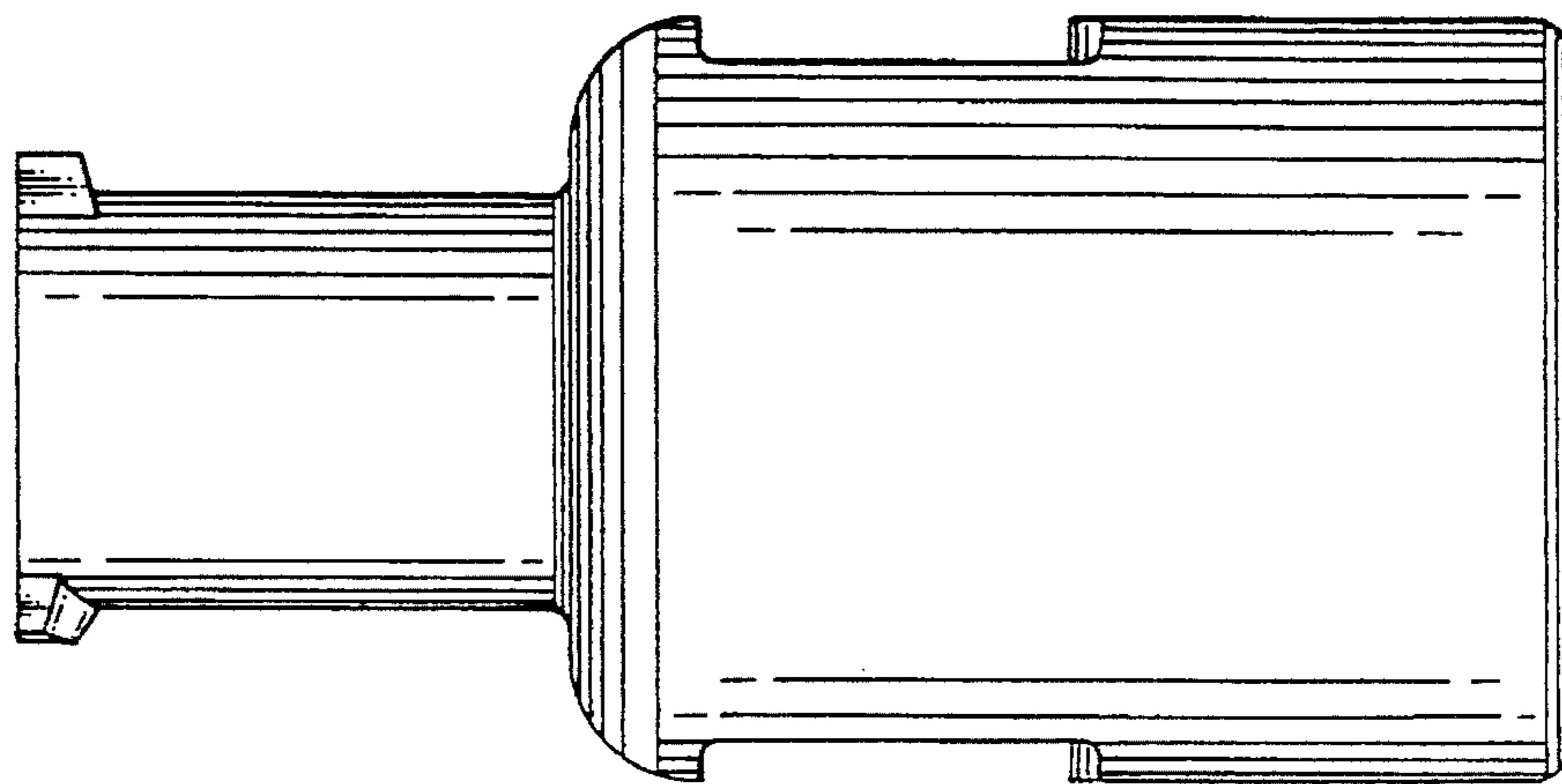


Fig. 2

