



US00D362714S

United States Patent [19]

[11] Patent Number: **Des. 362,714**

Colussi et al.

[45] Date of Patent: ****Sep. 26, 1995**

[54] **BATHTUB**

4,575,882 3/1986 Diamond 4/559
5,101,521 4/1992 Levien D23/277 X

[75] Inventors: **Lucio Colussi; Mario D'Andrea**, both of Pordenone, Italy

Primary Examiner—Cathy Anne MacCormac
Assistant Examiner—Eric Watterson
Attorney, Agent, or Firm—Wenderoth, Lind & Ponack

[73] Assignee: **Albatros System S.p.A.**, Pordenone, Italy

[**] Term: **14 Years**

[57] **CLAIM**

[21] Appl. No.: **20,020**

The ornamental design for a bathtub, as shown and described.

[22] Filed: **Mar. 16, 1994**

DESCRIPTION

[30] **Foreign Application Priority Data**

FIG. 1 is a top front perspective view of a bathtub, showing my new design;

Sep. 27, 1993 [FI] Finland PN93 0 000015

FIG. 2 is a rear perspective view thereof;

[52] U.S. Cl. **D23/277**

FIG. 3 is a top plan view thereof;

[58] **Field of Search** D23/275, 277, D23/279, 280.1, 280.2, 280.4, 283; 4/538, 555, 584, 589, 592, 593, 596, 597, 570, 615, 600, 602, 604, 605, 607, 610, 612, 613, 614; 52/35

FIG. 4 is a left side elevational view thereof;

FIG. 5 is a right side elevational view thereof;

FIG. 6 is a right end view thereof; and,

FIG. 7 is a left end view thereof.

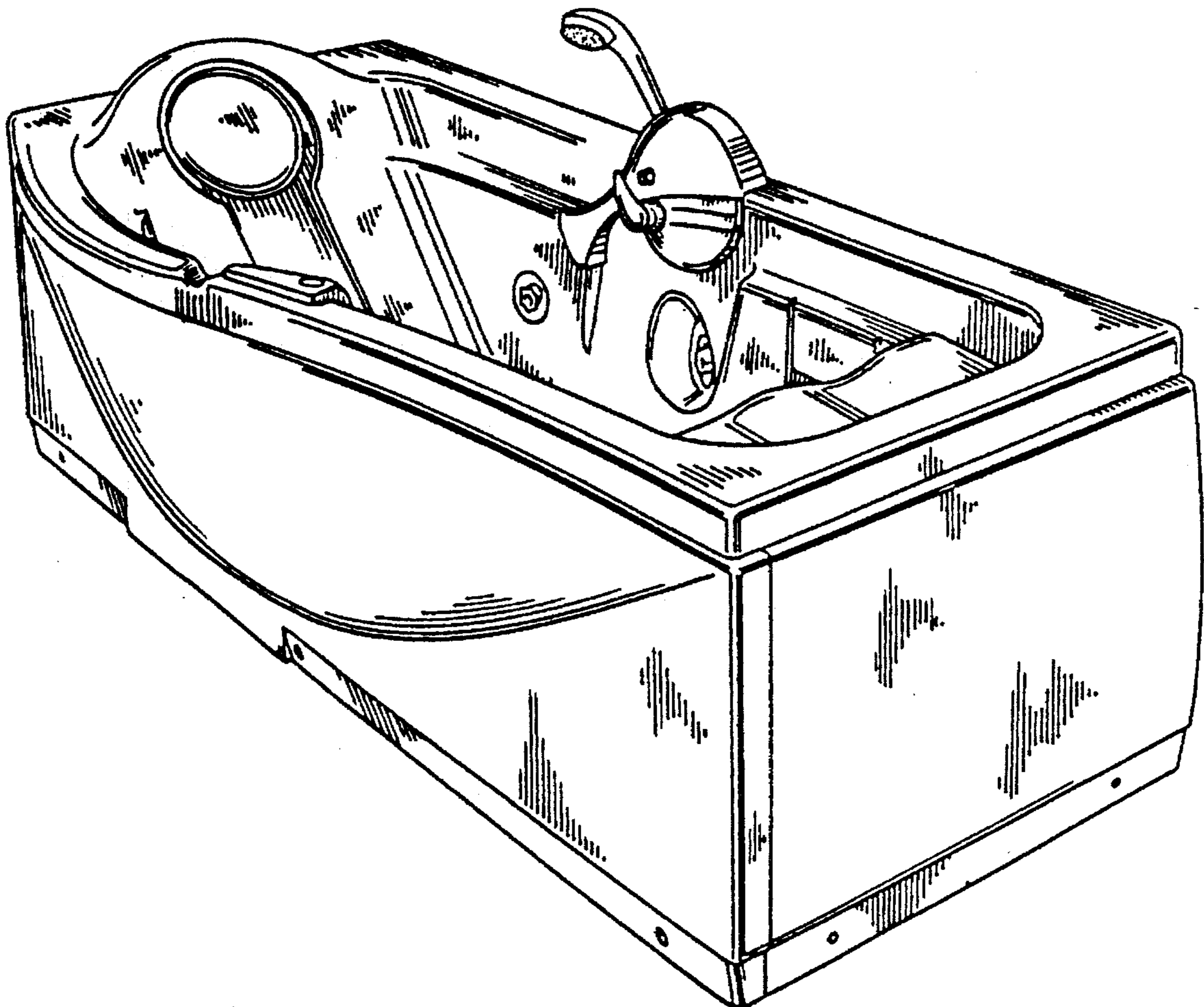
The bottom view being plain and unornamented.

[56] **References Cited**

U.S. PATENT DOCUMENTS

D. 203,803 2/1966 Tecton D23/277

1 Claim, 4 Drawing Sheets



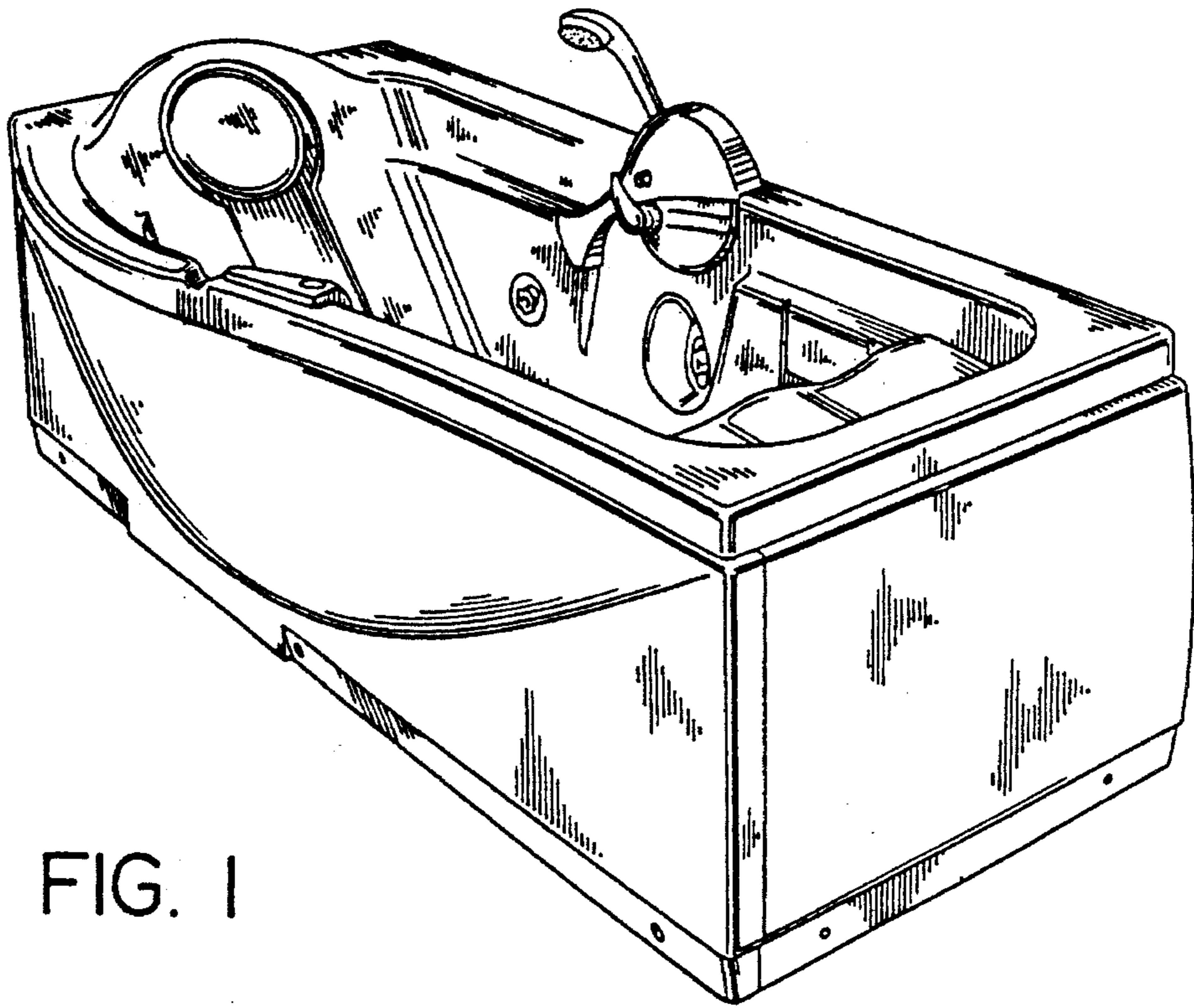


FIG. 1

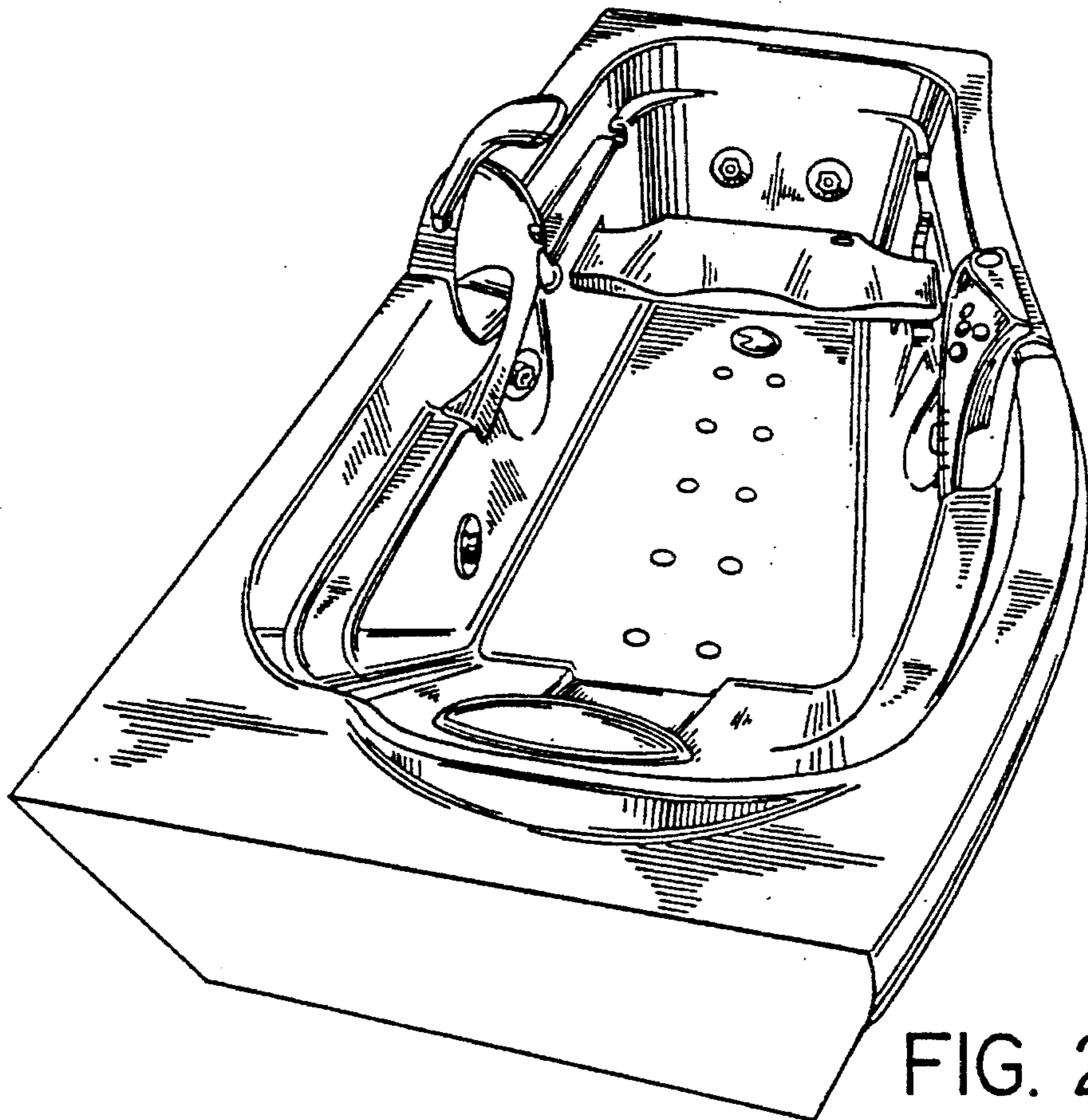


FIG. 2

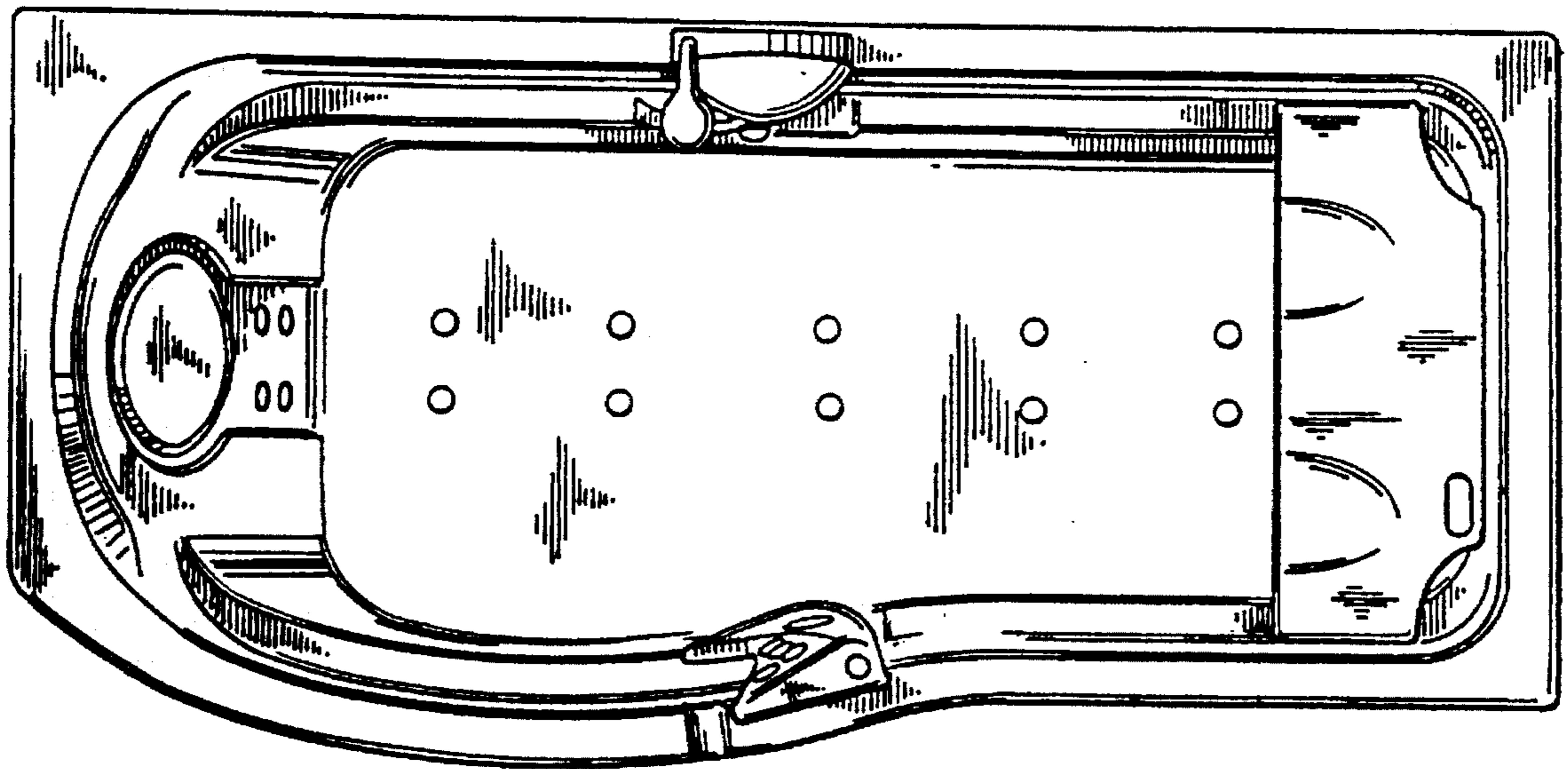


FIG. 3

FIG. 4

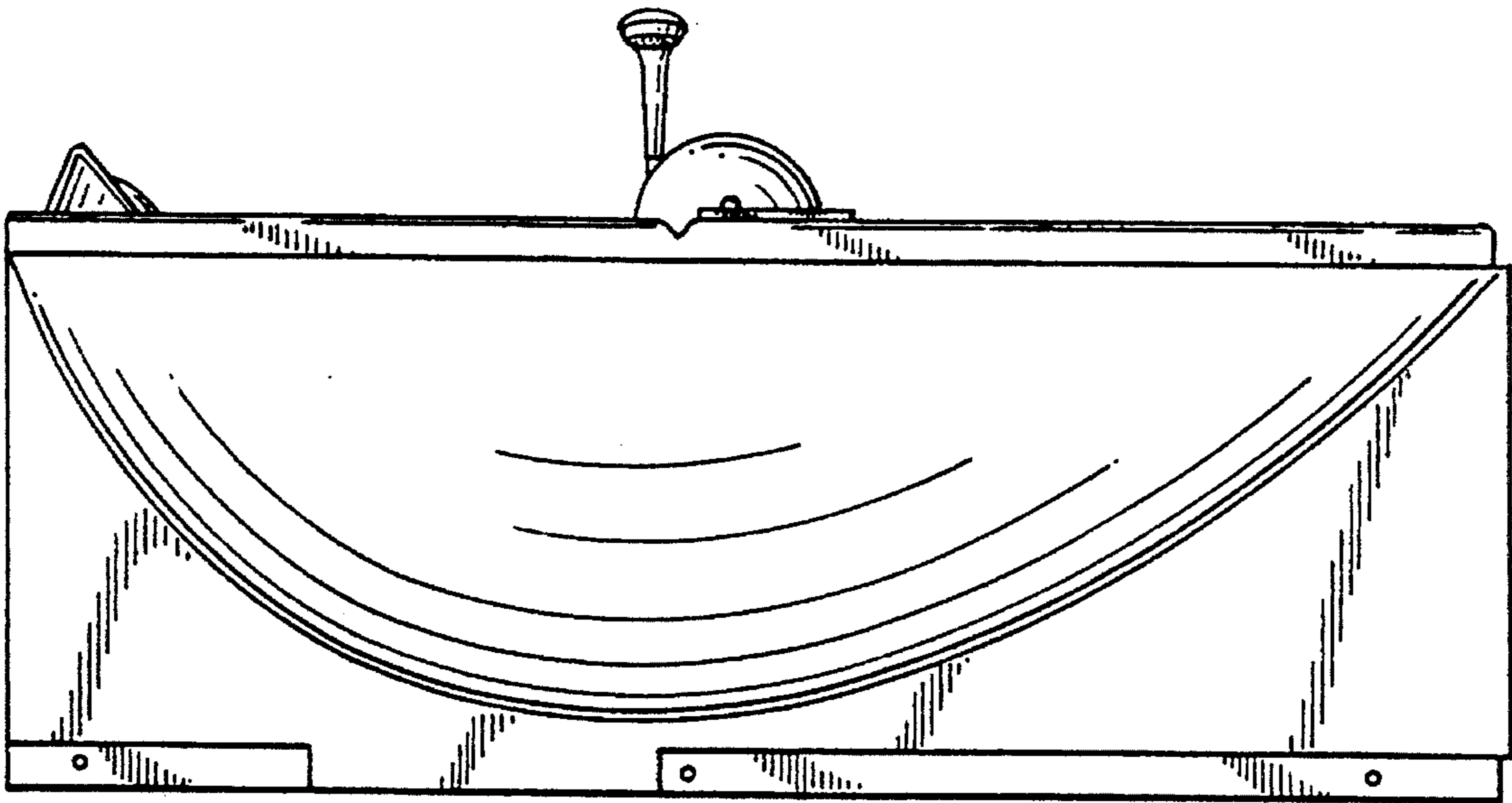


FIG. 5

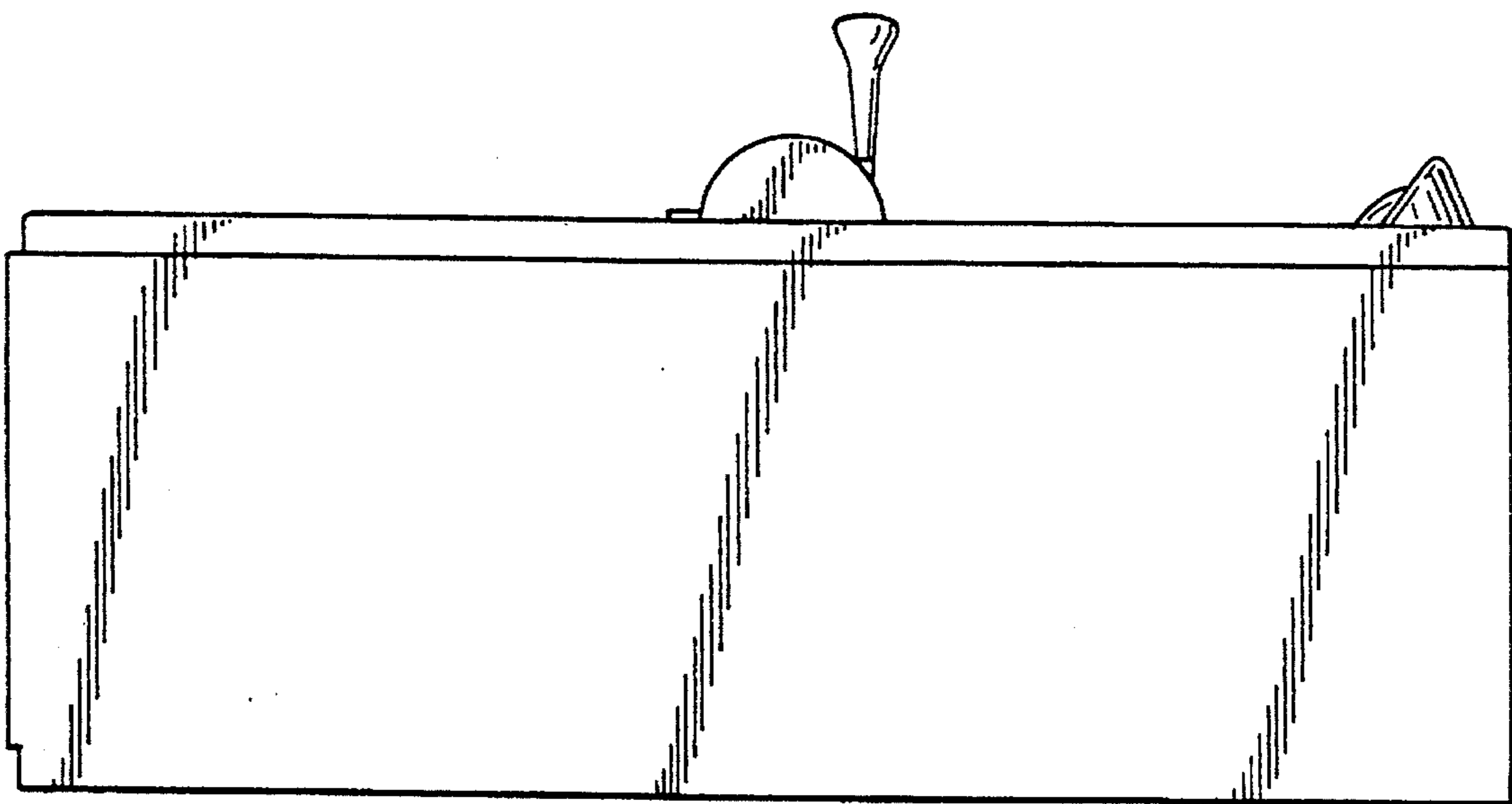


FIG. 6

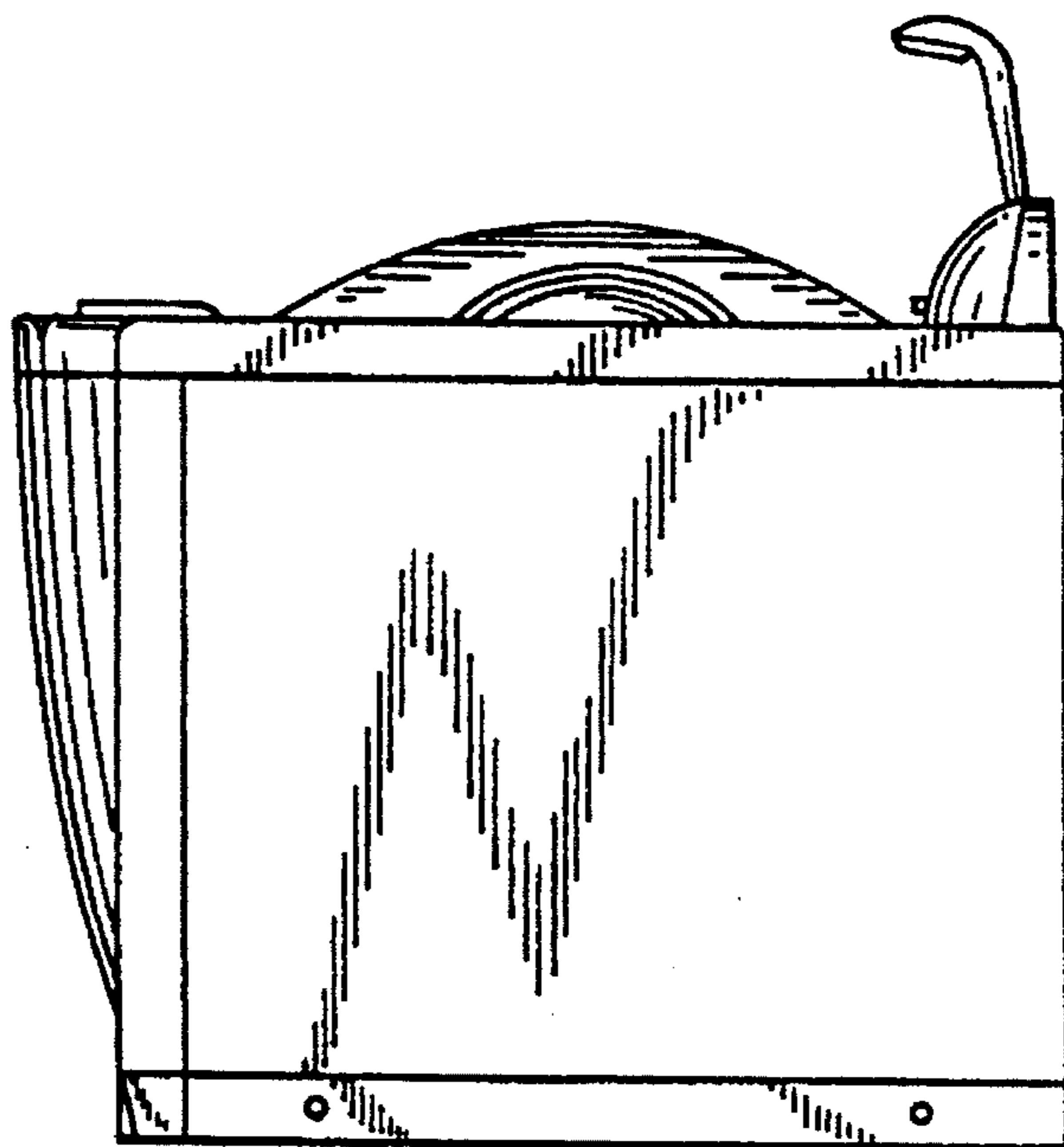
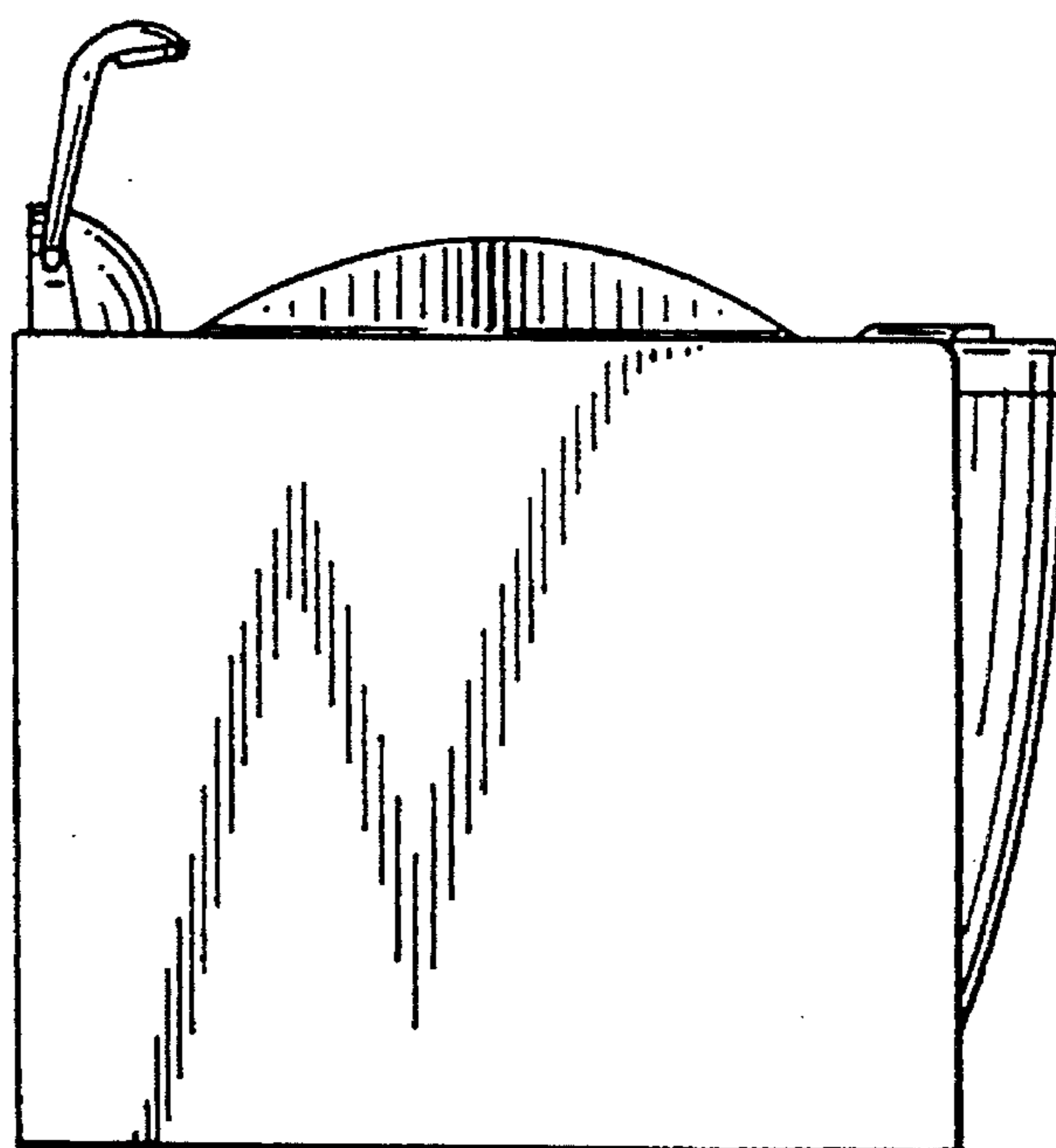


FIG. 7



UNITED STATES PATENT AND TRADEMARK OFFICE
CERTIFICATE OF CORRECTION

PATENT NO. : Des. 362,714
DATED : September 26, 1995
INVENTOR(S) : Lucio COLUSSI et al.

It is certified that error appears in the above-identified patent and that said Letters Patent is hereby corrected as shown below:

On the title page item [30], the Foreign Application Priority Data, change "[FI] FINLAND" to--[IT] Italy--.

Signed and Sealed this

Twenty-sixth Day of December, 1995



Attest:

BRUCE LEHMAN

Attesting Officer

Commissioner of Patents and Trademarks