



US00D362708S

United States Patent [19]

[11] Patent Number: **Des. 362,708**

Brown

[45] Date of Patent: ****Sep. 26, 1995**

[54] **SITE FOR A BOW**

4,328,625	5/1982	Carella	33/265
4,567,668	2/1986	King et al.	33/265
5,168,631	12/1992	Sherman	33/265

[76] Inventor: **Steven E. Brown**, Rural Route #1, Lot 31 - Con 1- Vespra, Barrie, Ontario, Canada, L4M 4Y8

Primary Examiner—Louis S. Zarfaz
Assistant Examiner—Catherine R. Oliver

[**] Term: **14 Years**

[57] **CLAIM**

[21] Appl. No.: **14,244**

The ornamental design for a site for a bow, as shown and described.

[22] Filed: **Oct. 18, 1993**

[52] U.S. Cl. **D22/107**

DESCRIPTION

[58] **Field of Search** D22/107, 115;
33/265; 124/41.1, 86, 87, 89, 88, 23.1,
24.1

FIG. 1 is a front elevational view of the a site for a bow showing my new design;
FIG. 2 is a rear elevational view thereof;
FIG. 3 is a left side elevational view thereof;
FIG. 4 is a right side elevational view thereof;
FIG. 5 is a top plan view thereof; and,
FIG. 6 is a bottom plan view thereof.

[56] **References Cited**

U.S. PATENT DOCUMENTS

D. 240,527	7/1976	Nishikata	D22/107
D. 260,417	8/1981	Siekman	D22/107
3,526,037	9/1970	Crosby	33/265

1 Claim, 3 Drawing Sheets

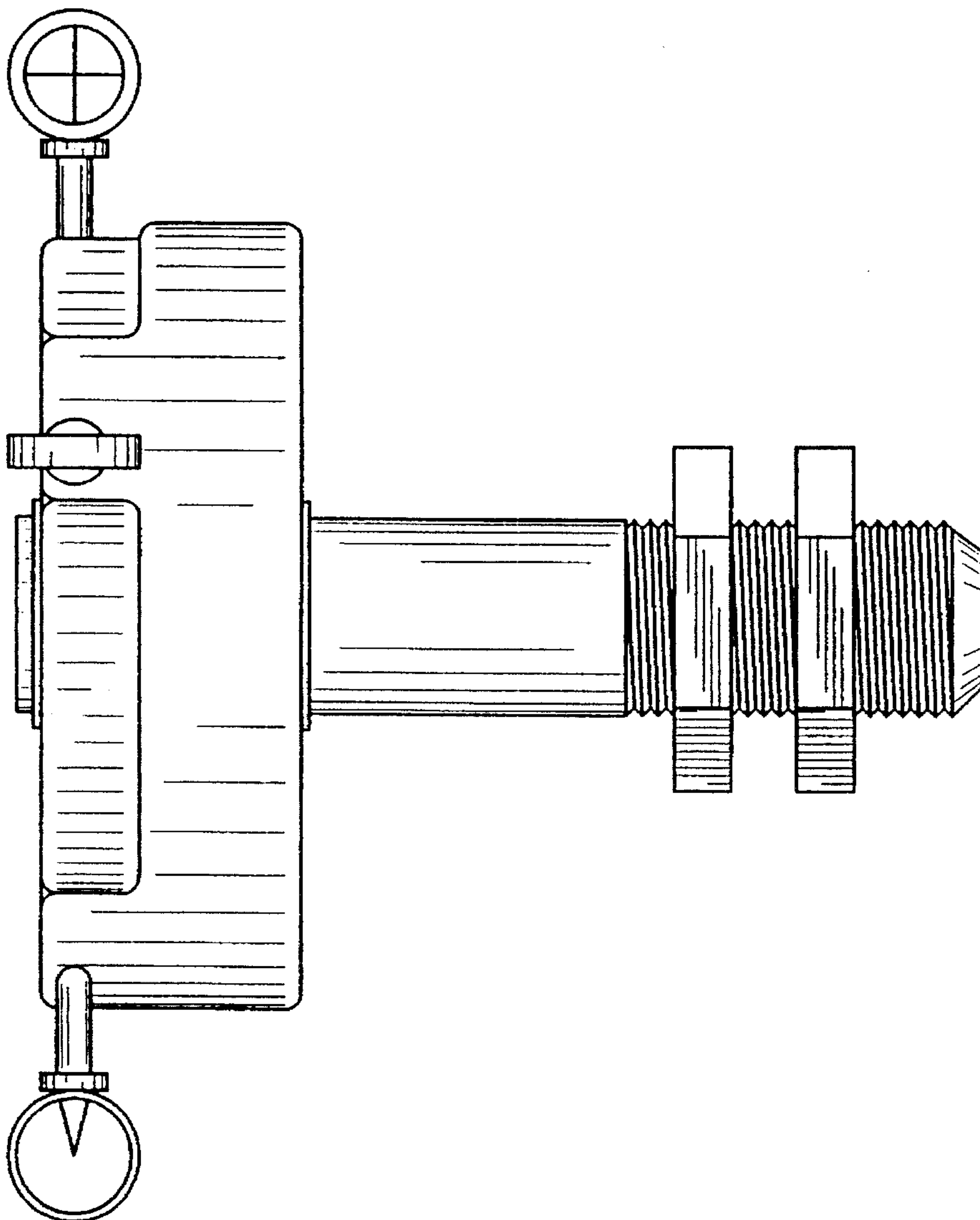


FIG. 1

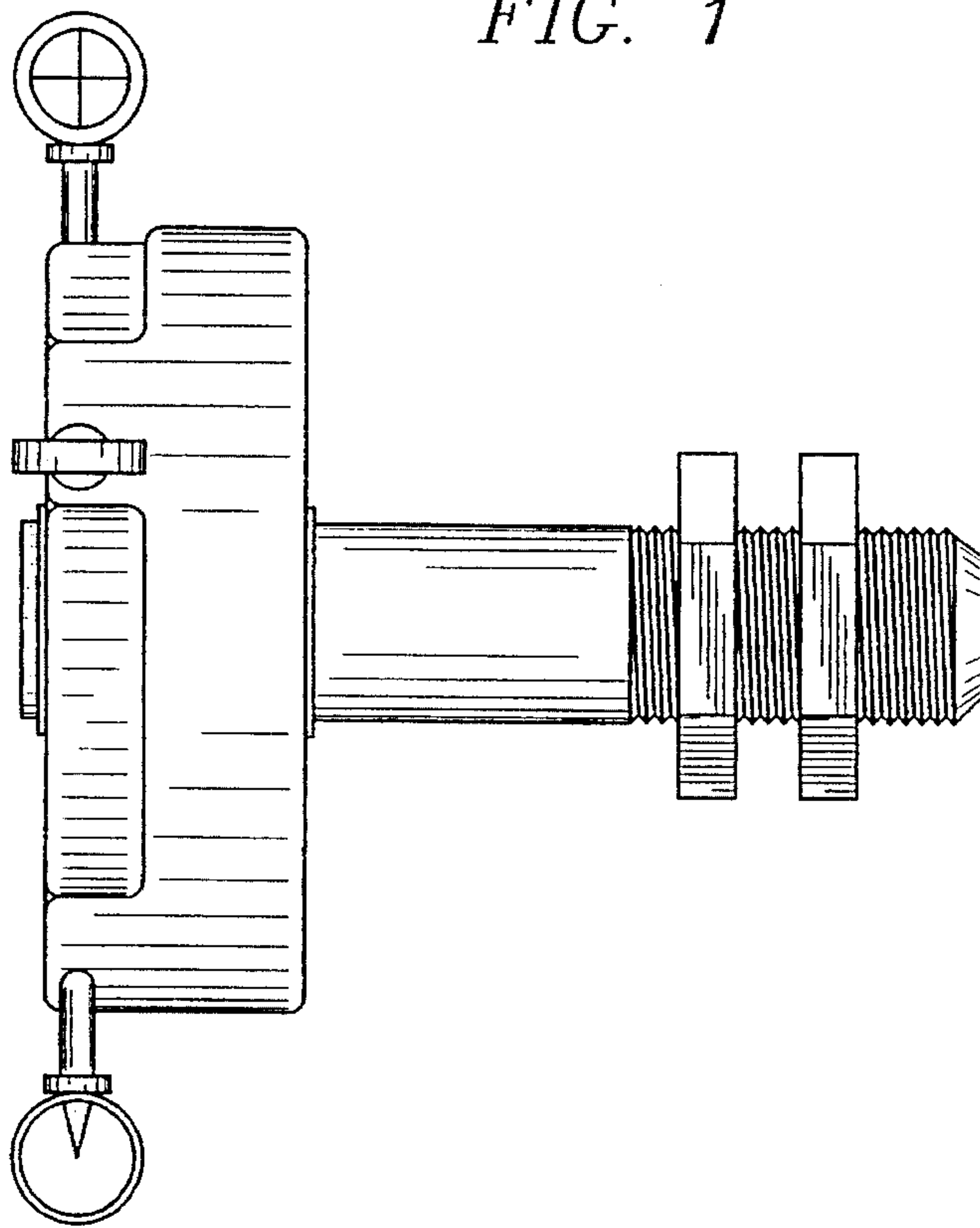


FIG. 2

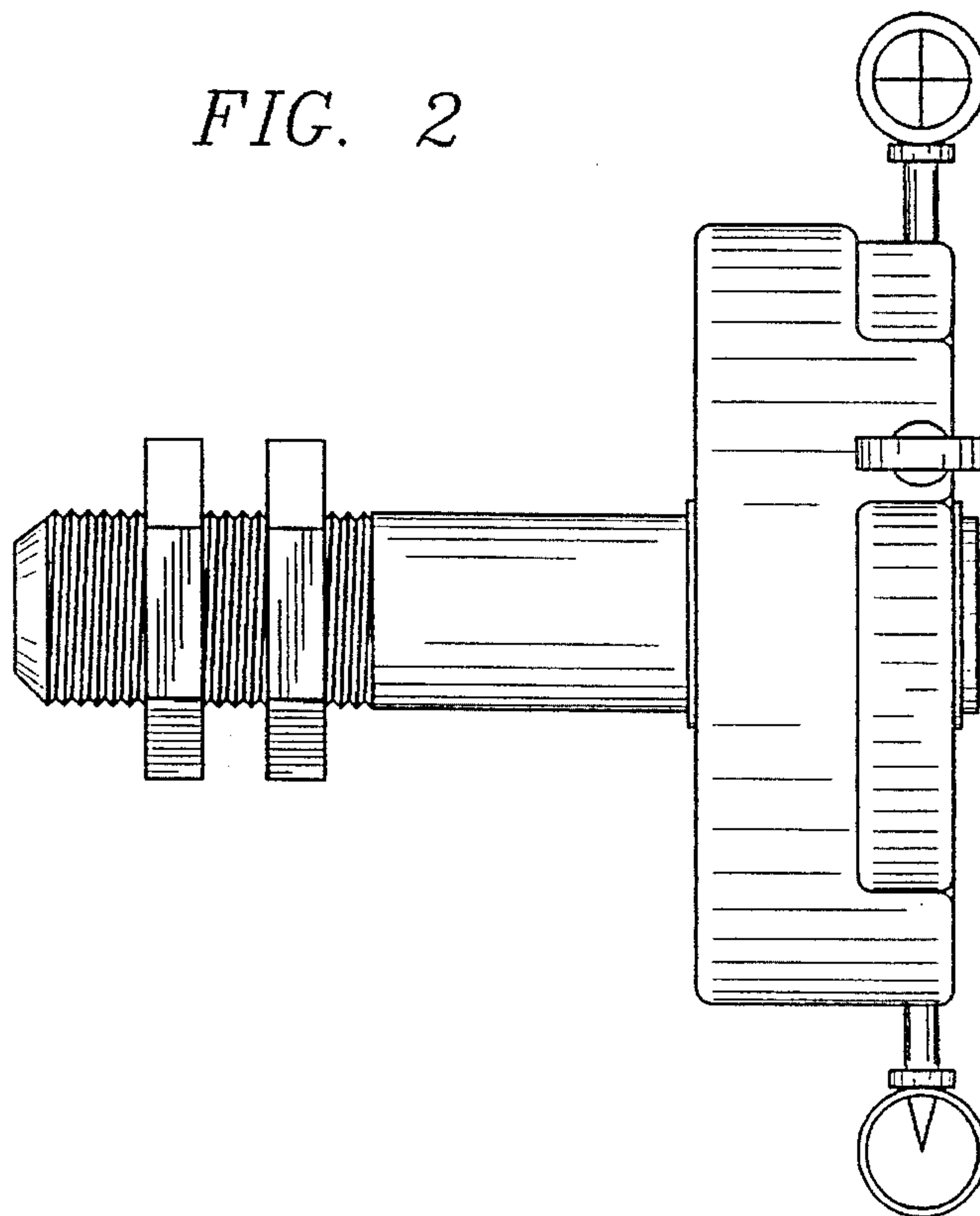


FIG. 3

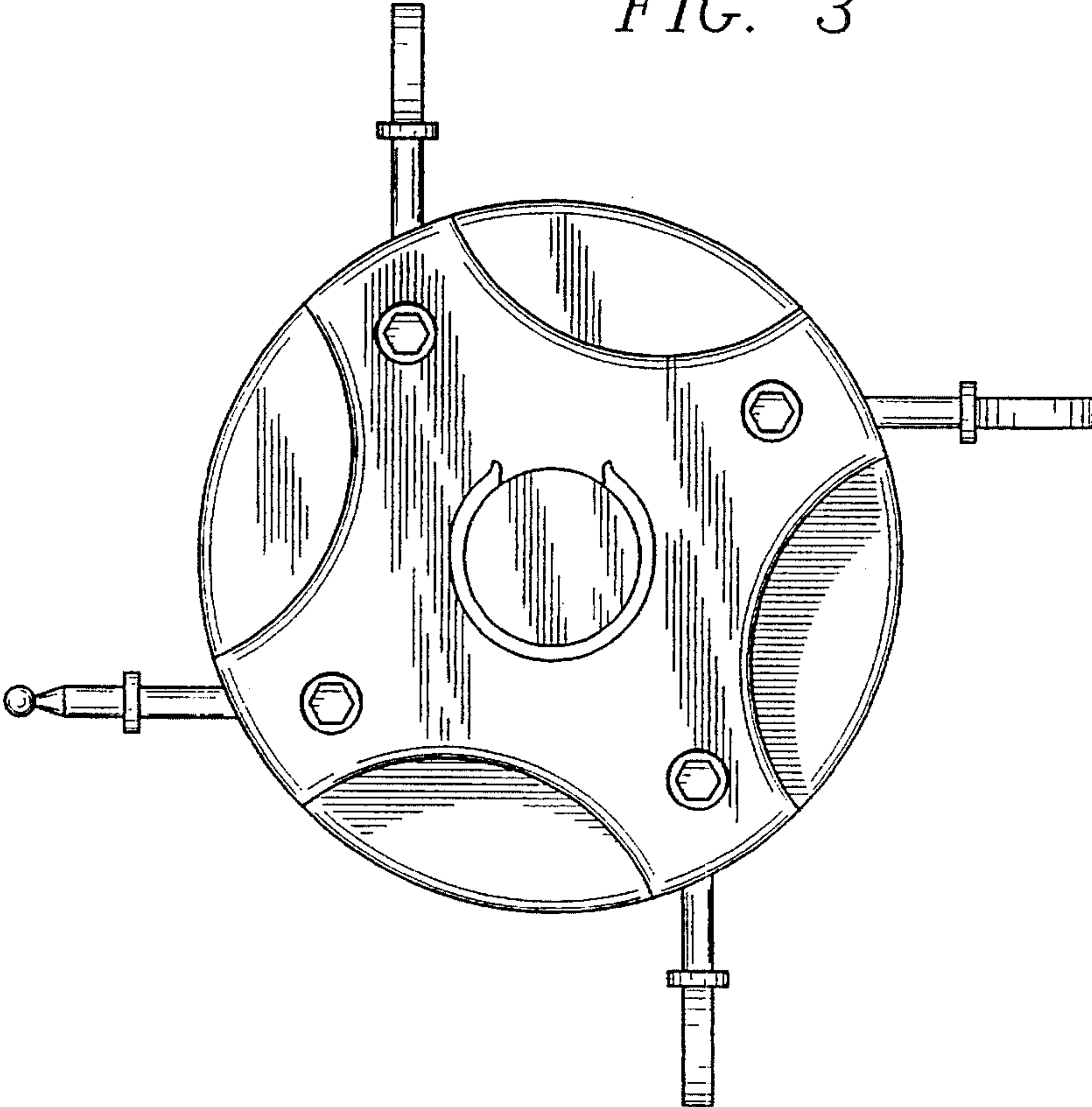


FIG. 4

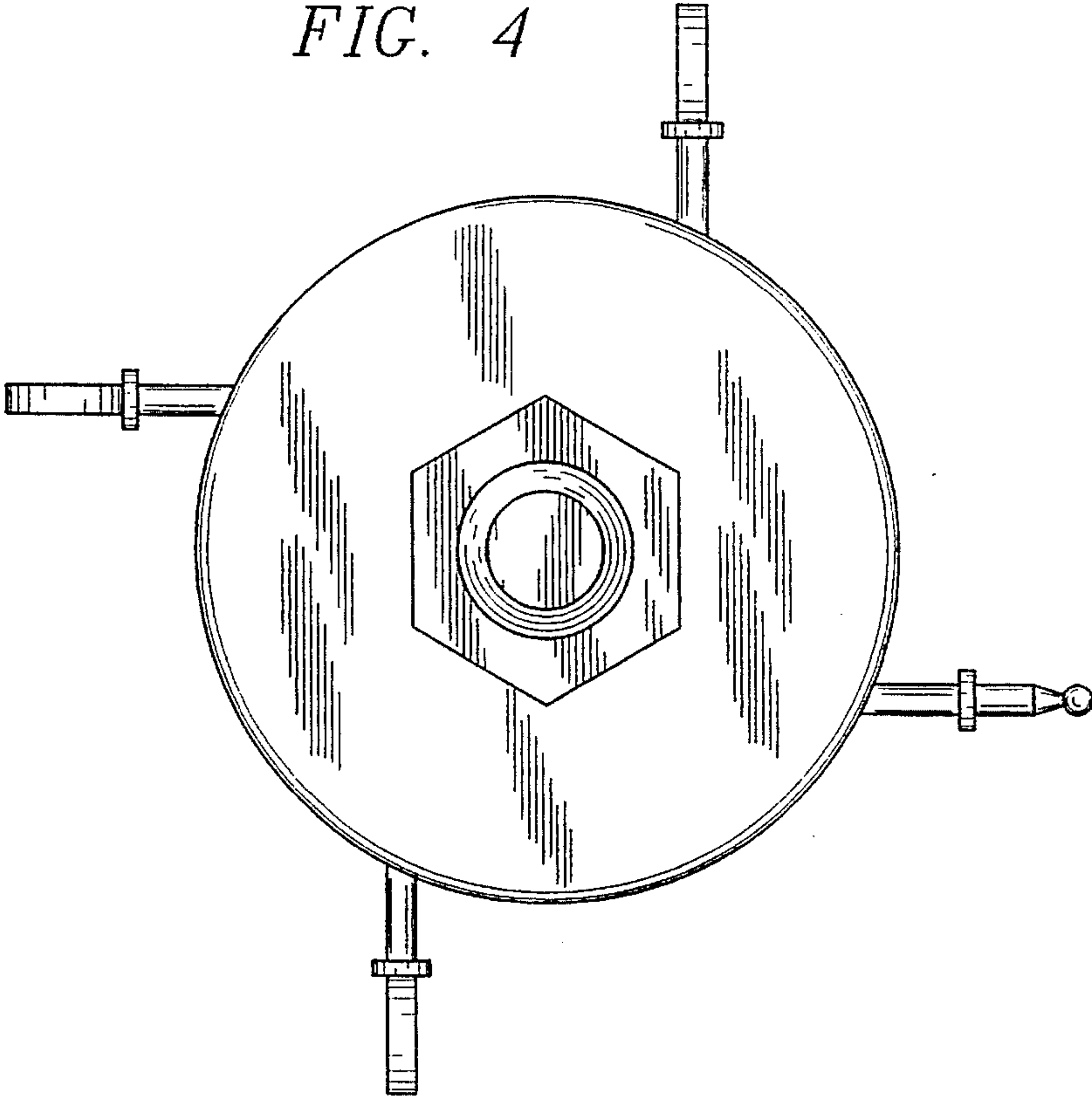


FIG. 5

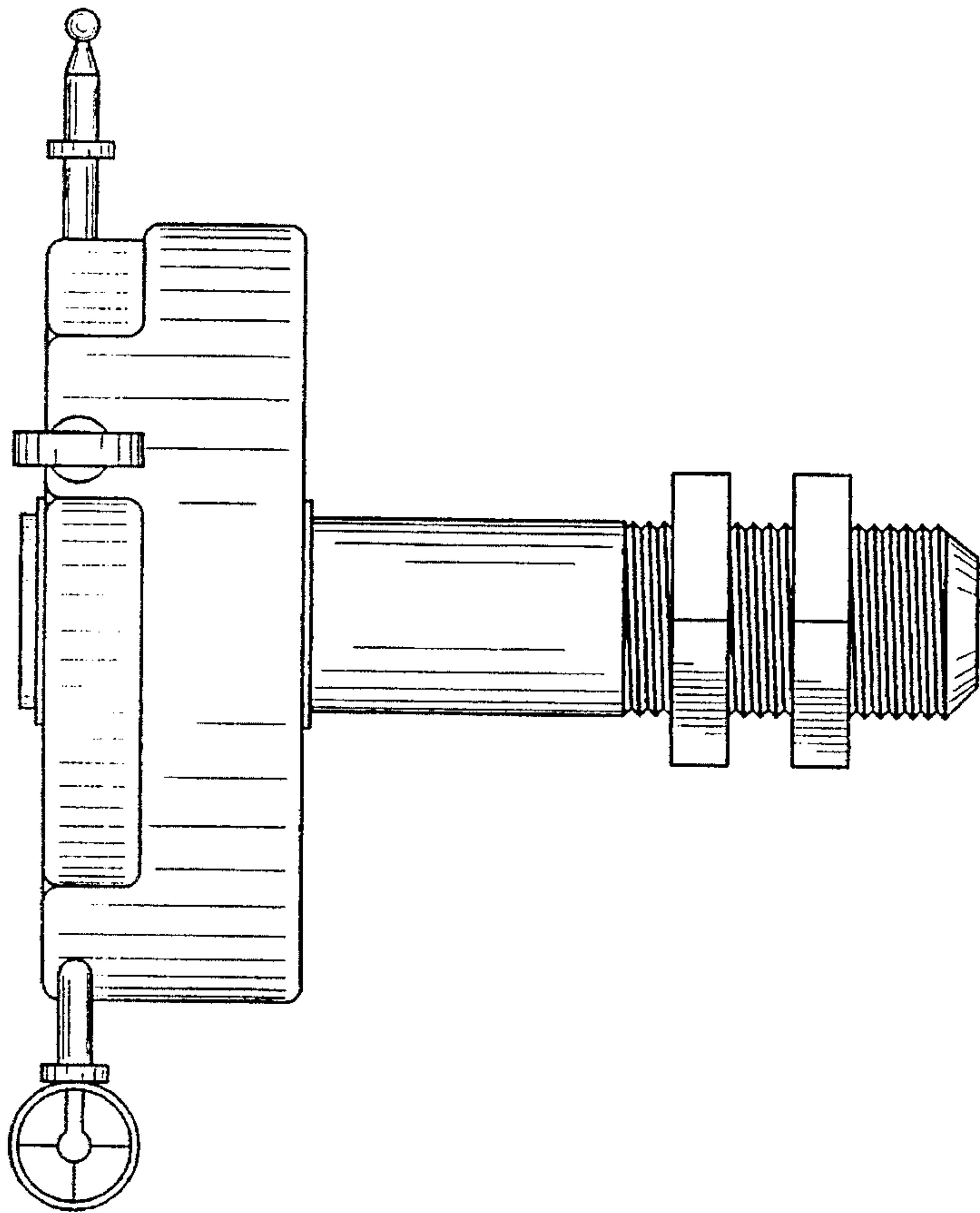


FIG. 6

