



US00D362707S

United States Patent [19]

[11] **Patent Number:** **Des. 362,707**

Massey

[45] **Date of Patent:** ****Sep. 26, 1995**

[54] **NOVELTY BRICK**

Primary Examiner—Theodore M. Shooman
Assistant Examiner—Cheri Cohen

[76] **Inventor:** **Darryl D. Massey**, 858 Third St., Apt. 28, Santa Monica, Calif. 90403

[**] **Term:** **14 Years**

[57] **CLAIM**

The ornamental design for a novelty brick, as shown and described.

[21] **Appl. No.:** **23,190**

[22] **Filed:** **May 19, 1994**

DESCRIPTION

[52] **U.S. Cl. D21/240; D21/203**

[58] **Field of Search D21/203, 108, D21/240; D25/113; 273/424; 446/85; D11/157**

FIG. 1 is a perspective view of a novelty brick showing my new design;

[56] **References Cited**

U.S. PATENT DOCUMENTS

D. 47,844	9/1915	Ballou	D25/113
D. 62,882	8/1923	Castellani	D25/113
D. 62,884	8/1923	Castellani	D25/113
D. 75,212	5/1928	Clune	D25/113

FIG. 2 is a top plan view thereof, the bottom view being identical;

OTHER PUBLICATIONS

- Spirit Novelties, Inc., 1991, (Foam Brick).
- "Ezdo for Kids" Building Brix, ©1993.
- Spalding Sports Catalog, 1978, p. 51, (Basketball).

FIG. 3 is a left side elevation view thereof, the right side being identical; and,

FIG. 4 is a front elevation view thereof, the rear being identical.

1 Claim, 1 Drawing Sheet

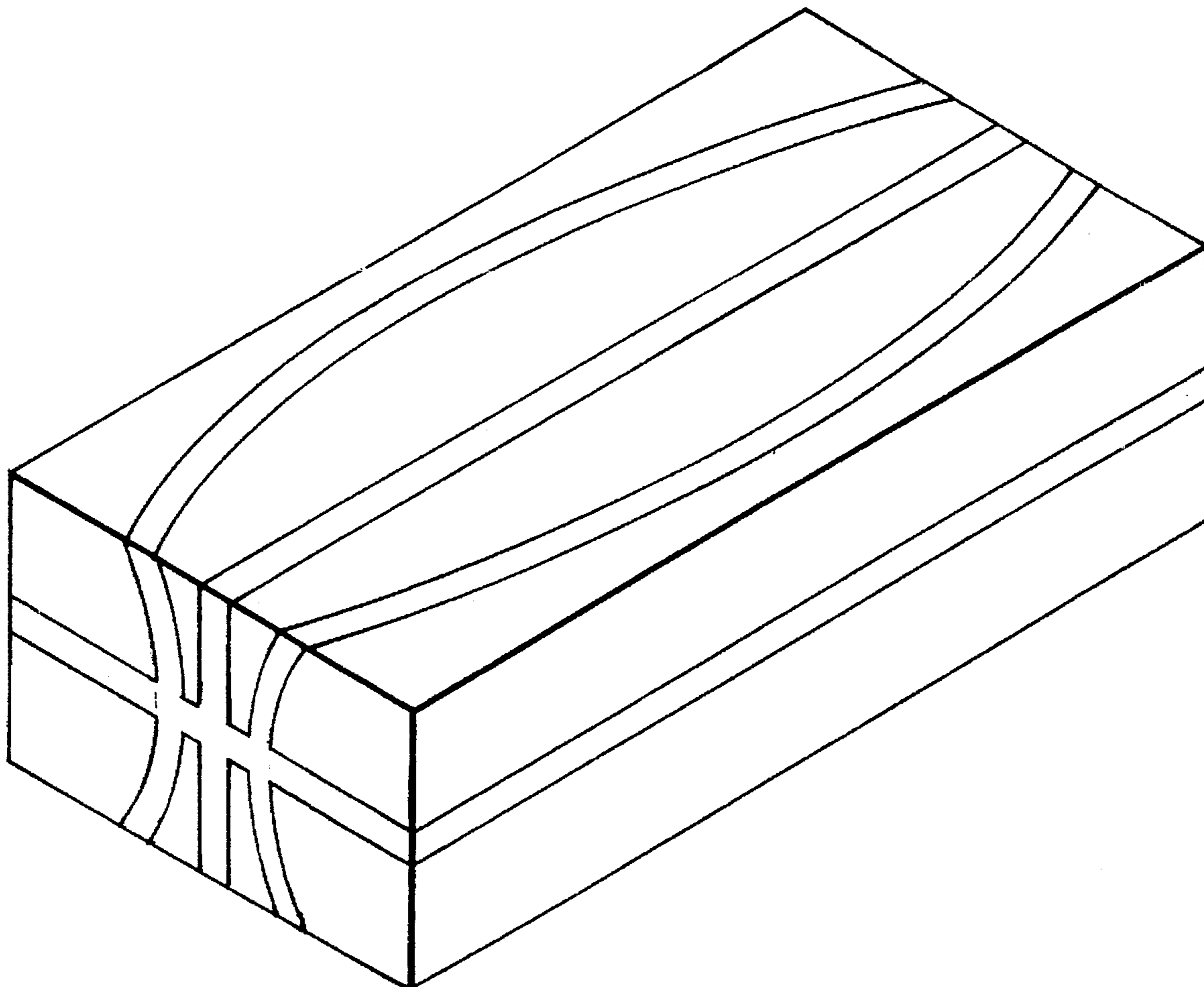


FIG. 1.

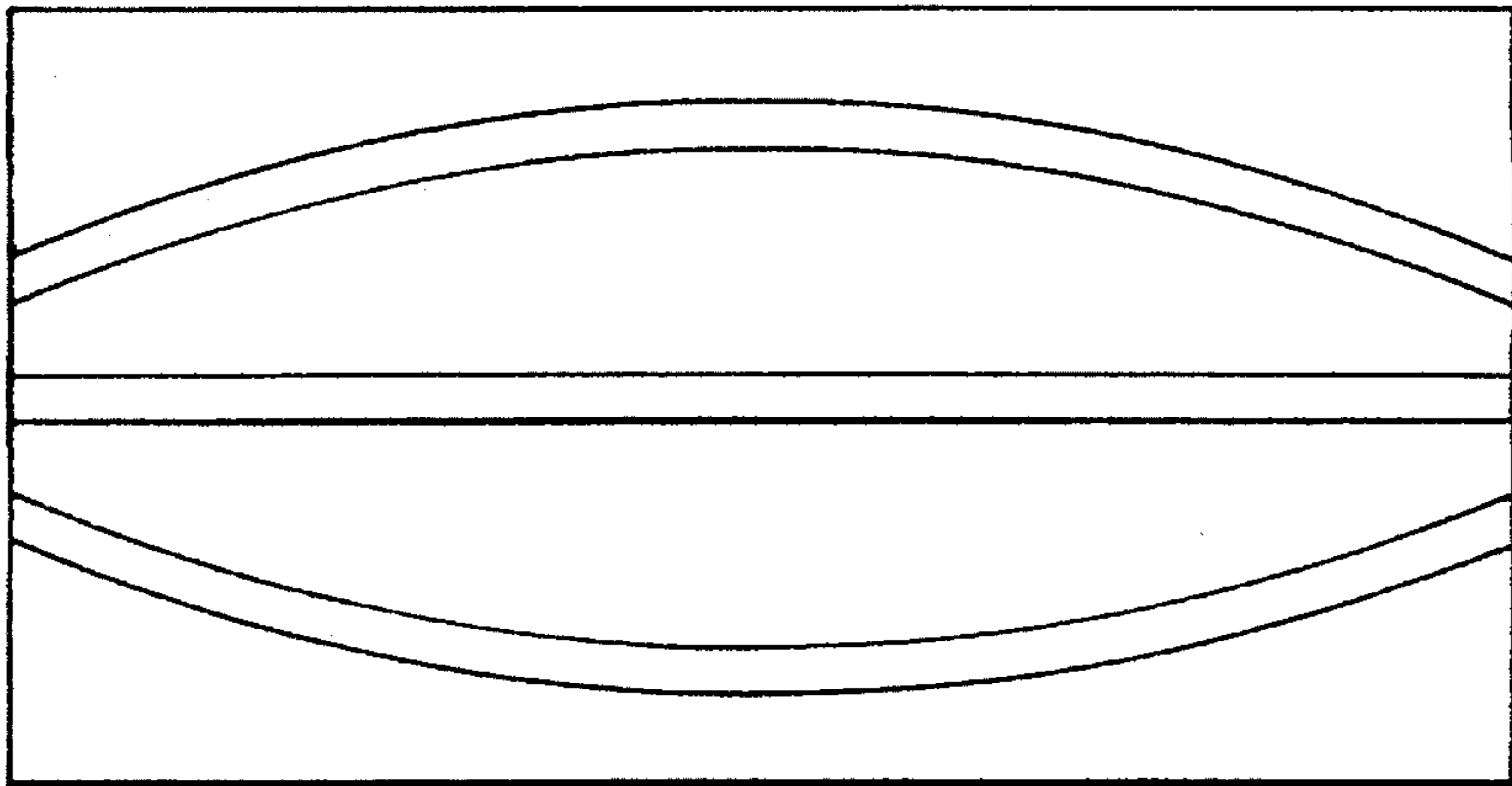
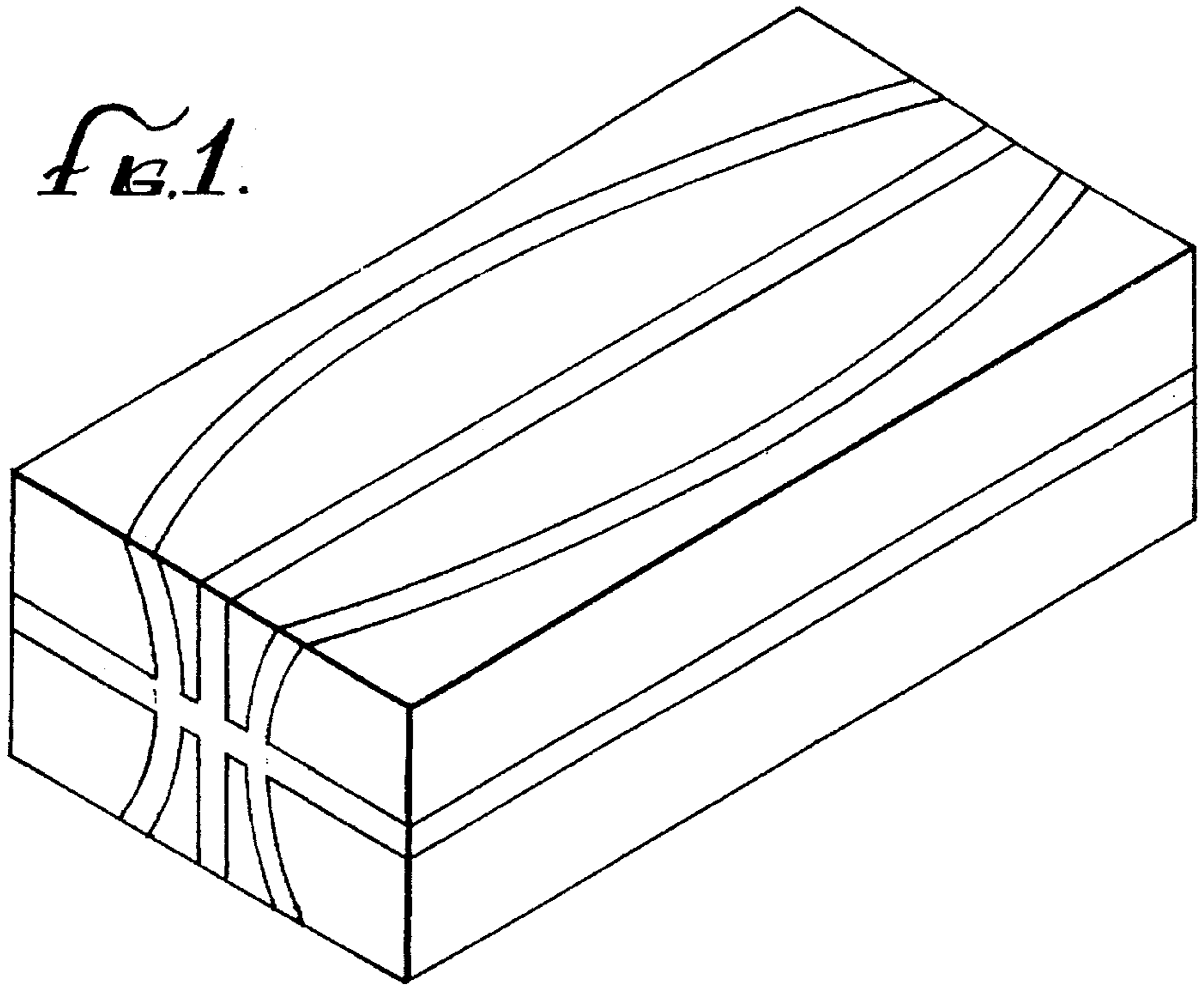


FIG. 2.

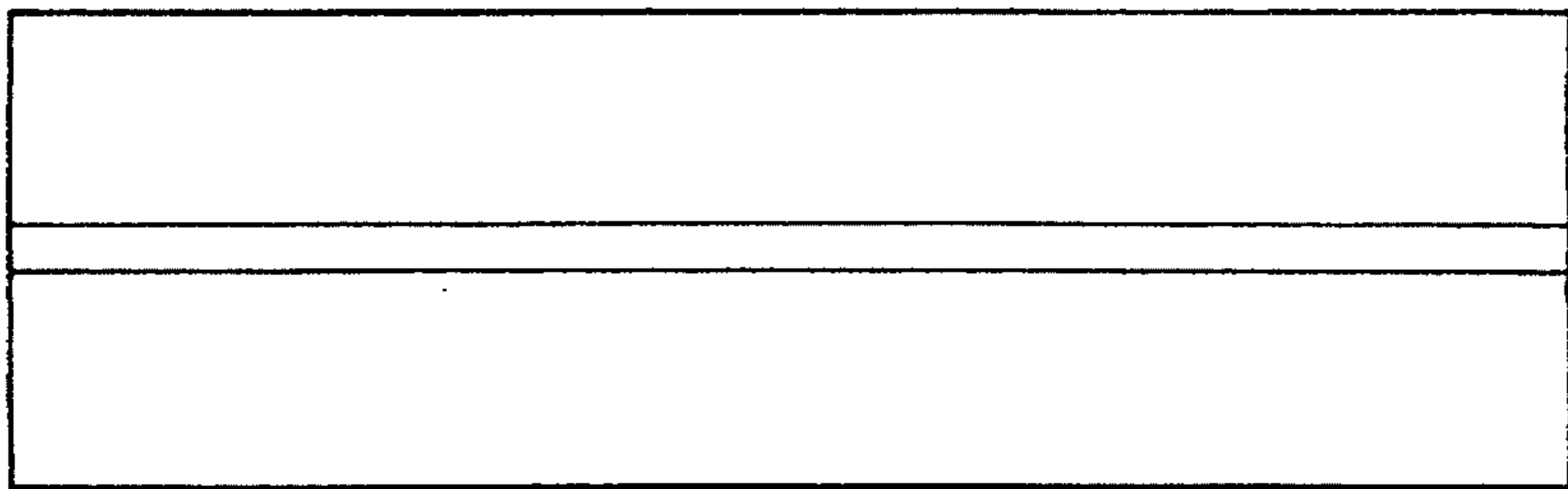


FIG. 3.

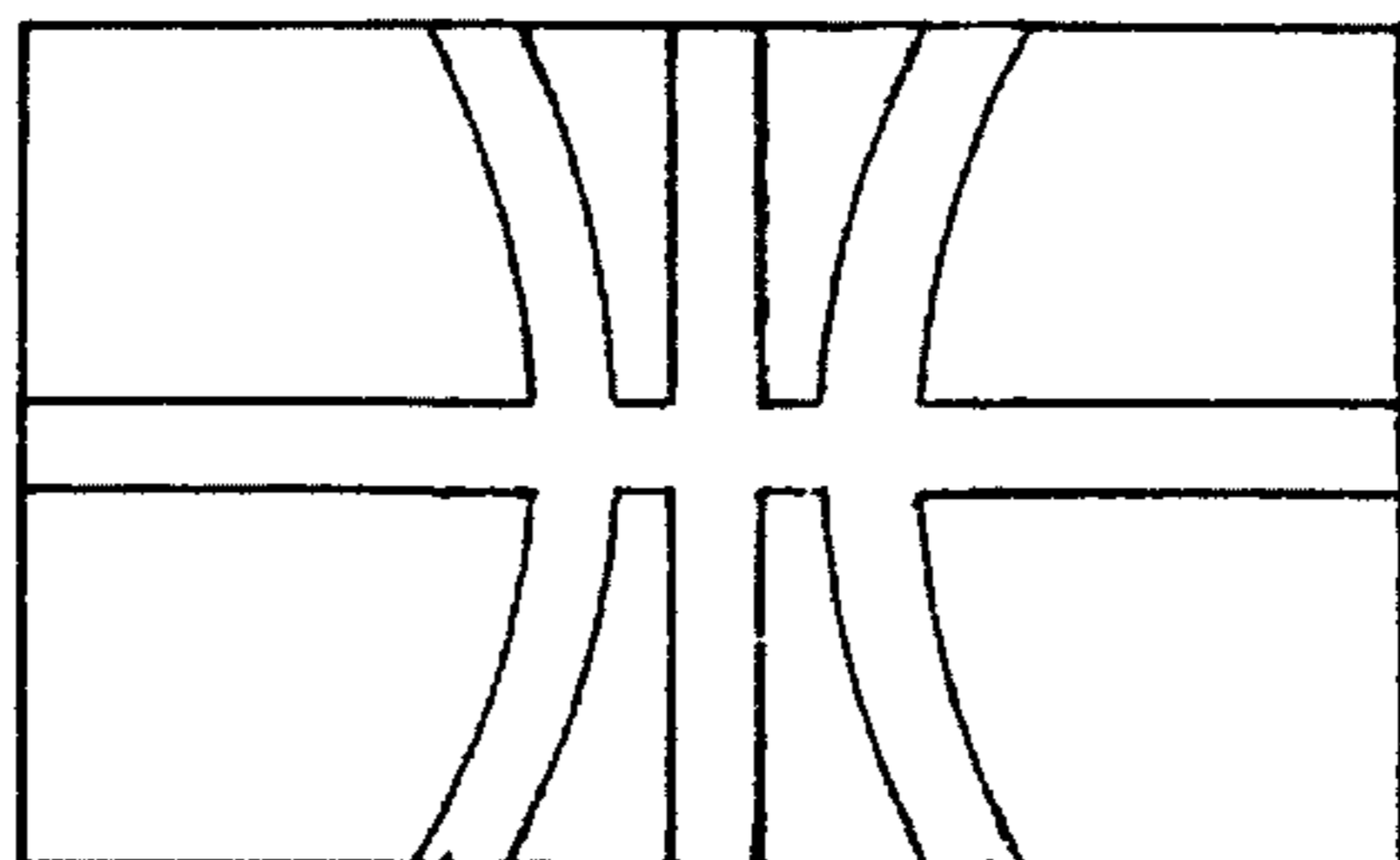


FIG. 4.