



US00D362706S

# United States Patent [19]

[11] Patent Number: **Des. 362,706**

Wamsley

[45] Date of Patent: **\*\*Sep. 26, 1995**

[54] FISHING FLOAT

5,058,522 10/1991 Bauer ..... 441/130  
5,217,400 6/1993 Creek et al. .... 441/132

[76] Inventor: **Ronald J. Wamsley**, 1506 W. Warner,  
Guthrie, Okla. 73044

*Primary Examiner*—Kay H. Chin  
*Attorney, Agent, or Firm*—Robert K. Rhea

[\*\*] Term: **14 Years**

[57] **CLAIM**

[21] Appl. No.: **26,114**

The ornamental design for a fishing float, as shown.

[22] Filed: **Jun. 27, 1994**

**DESCRIPTION**

[52] U.S. Cl. .... **D21/237; D12/306**

[58] Field of Search ..... D21/236, 237;  
D12/316; 441/130; 114/61, 163; 440/6

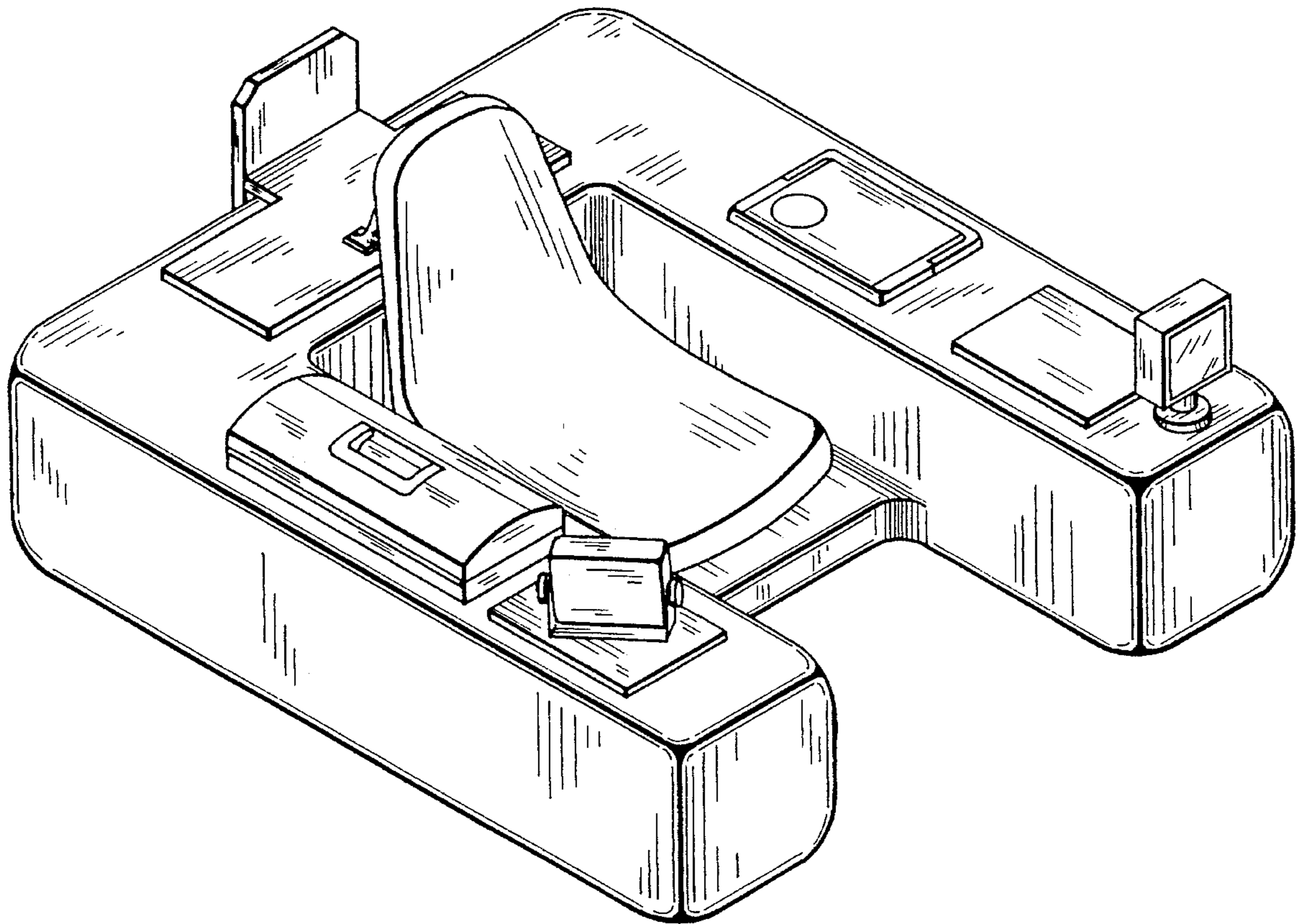
FIG. 1 is a perspective view of my new design for a fishing float;  
FIG. 2 is a top plan view thereof;  
FIG. 3 is a bottom view thereof;  
FIG. 4 is a front elevational view thereof;  
FIG. 5 is a rear elevational view thereof;  
FIG. 6 is a left side elevational view thereof; and,  
FIG. 7 is a right side elevational view thereof.

[56] **References Cited**

**U.S. PATENT DOCUMENTS**

3,471,875 10/1969 Lyon ..... 441/130  
4,271,549 6/1981 Chandler ..... 441/130  
4,311,108 1/1982 Horton ..... 441/130  
4,480,568 11/1984 Trefethern et al. .... 114/61

**1 Claim, 3 Drawing Sheets**



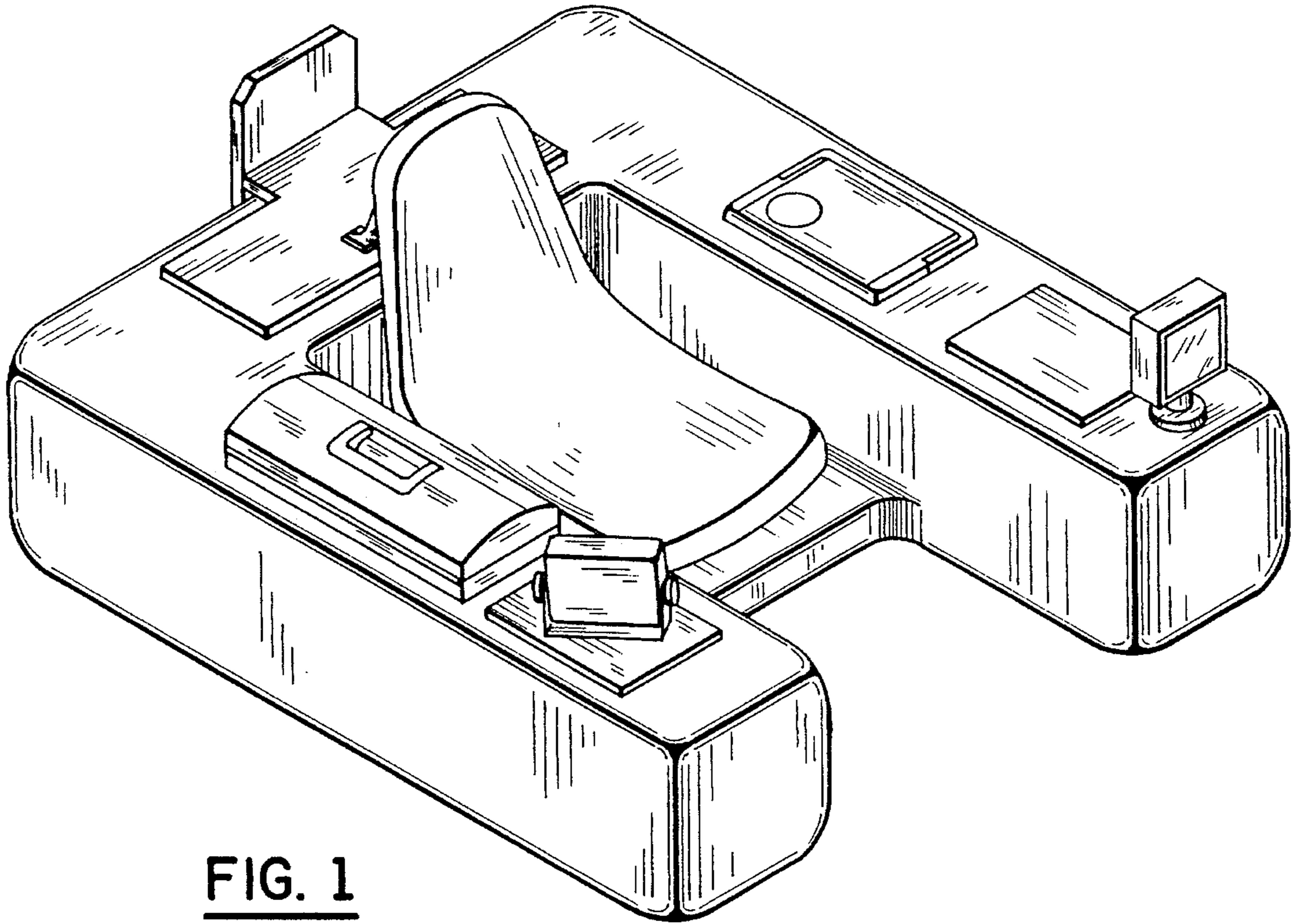


FIG. 1

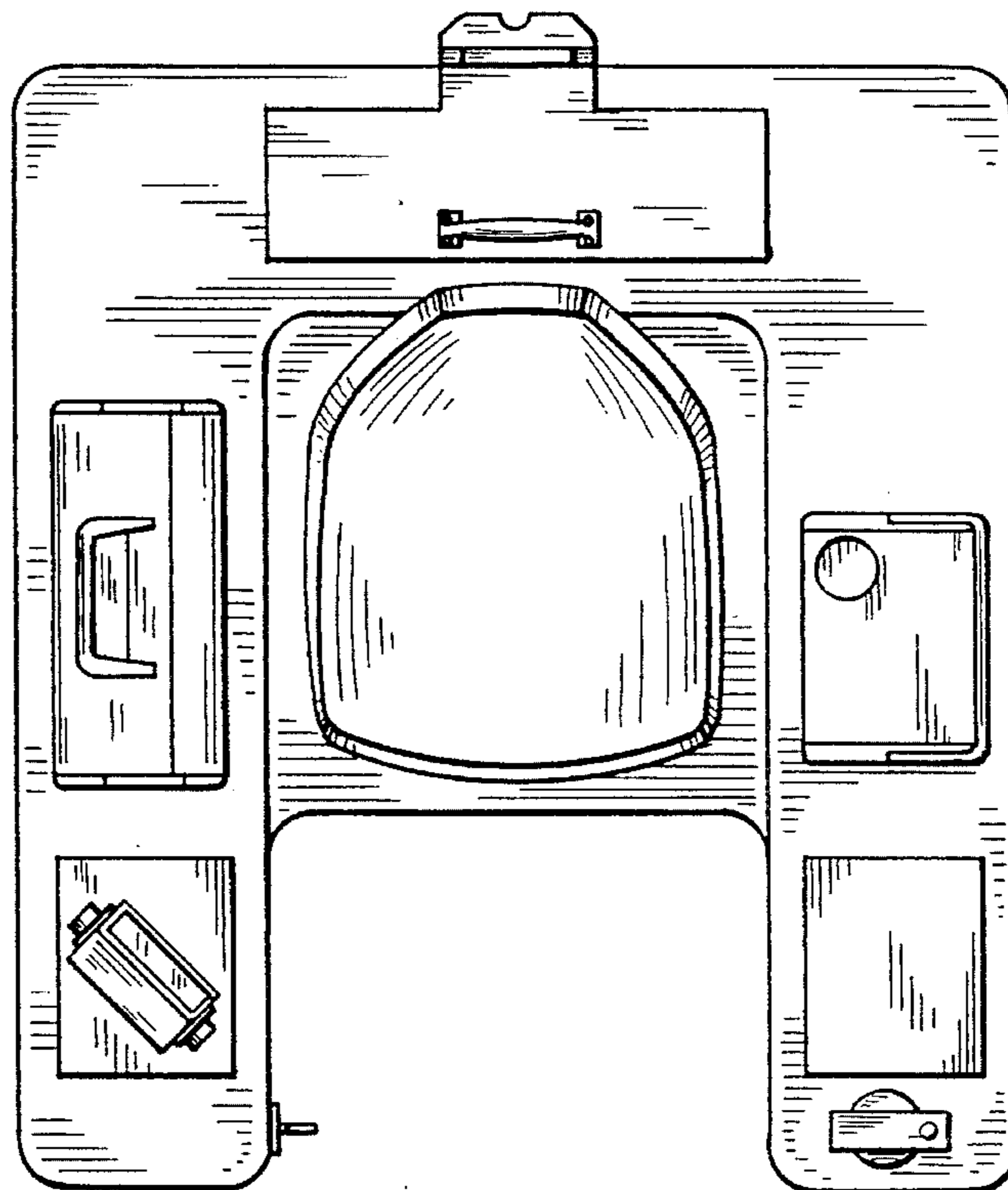


FIG. 2

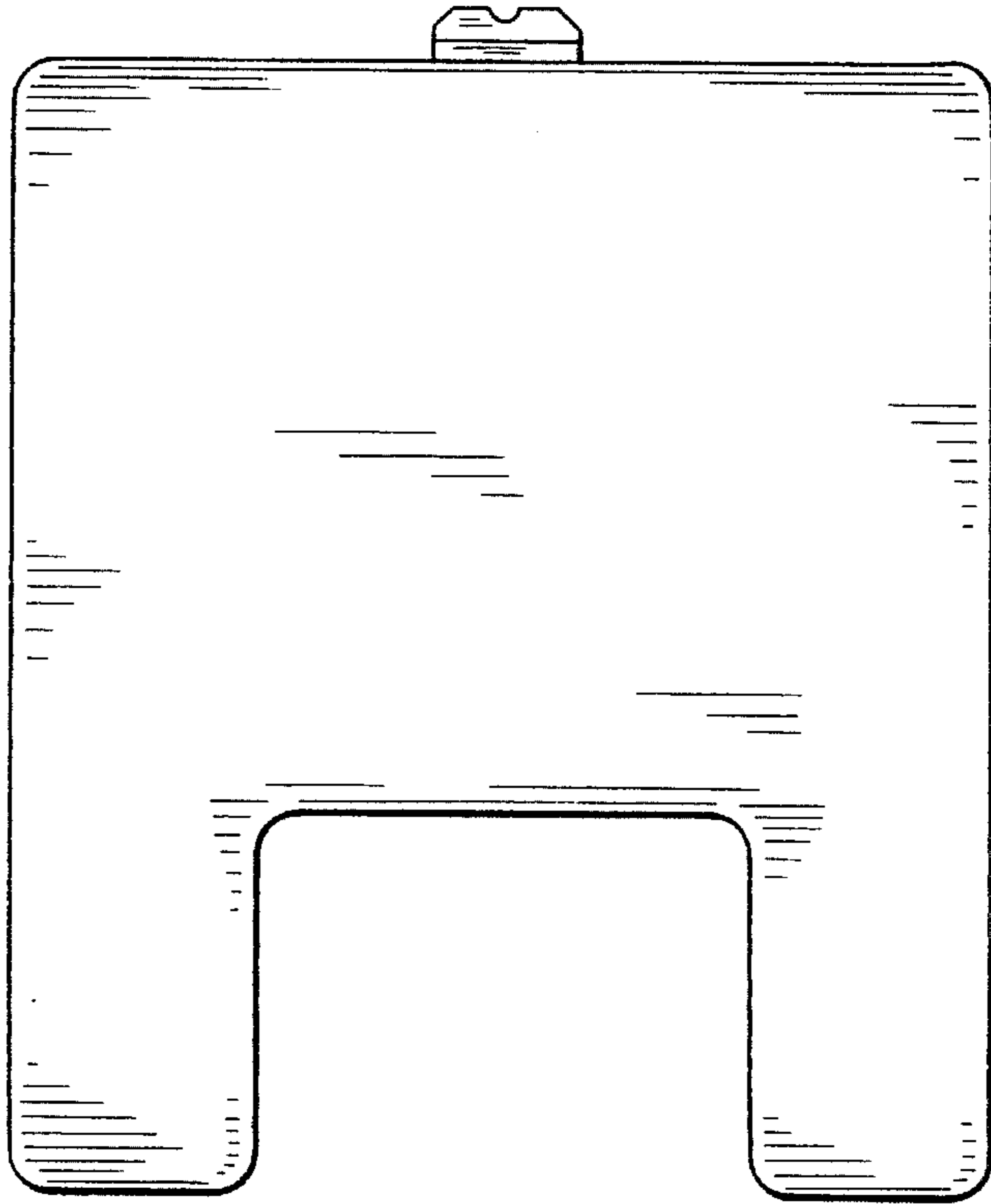


FIG. 3

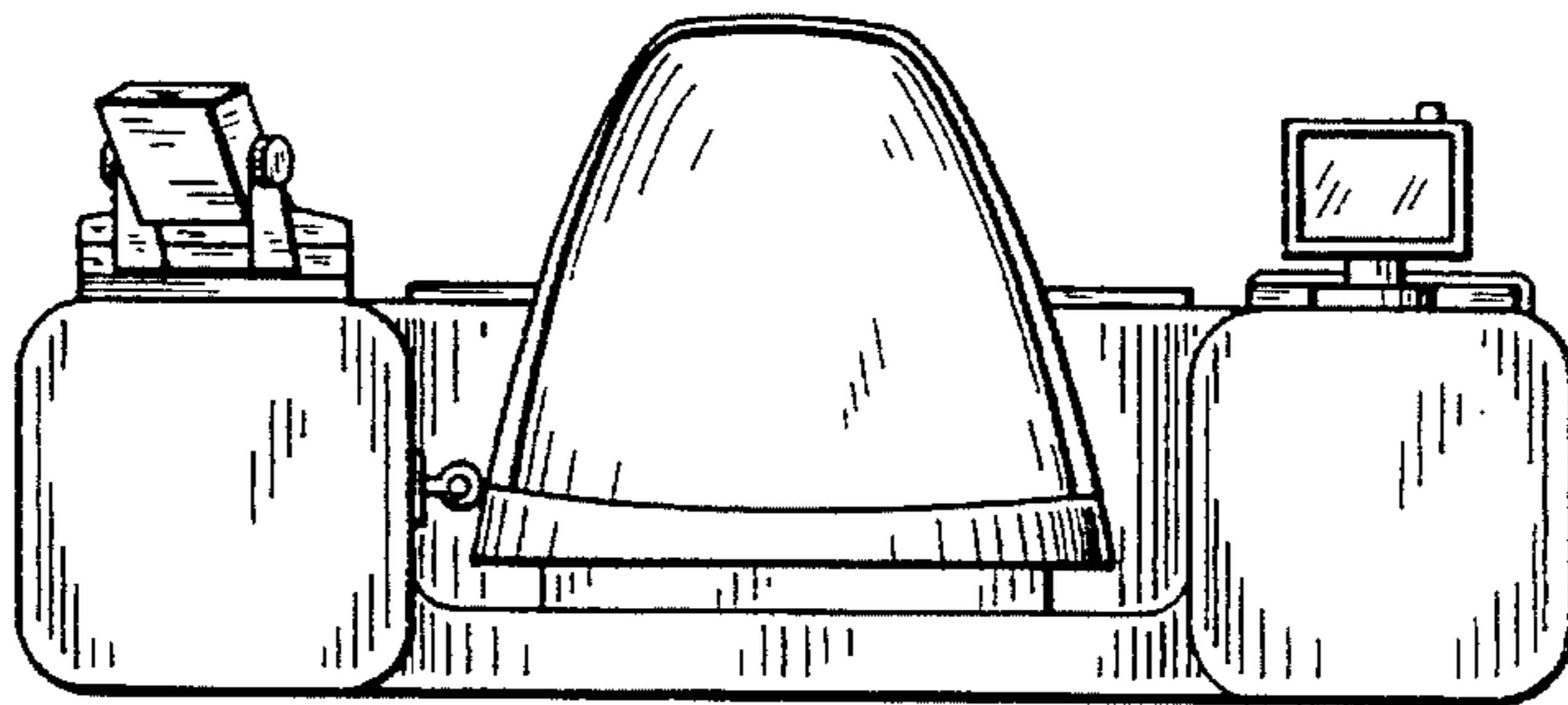


FIG. 4

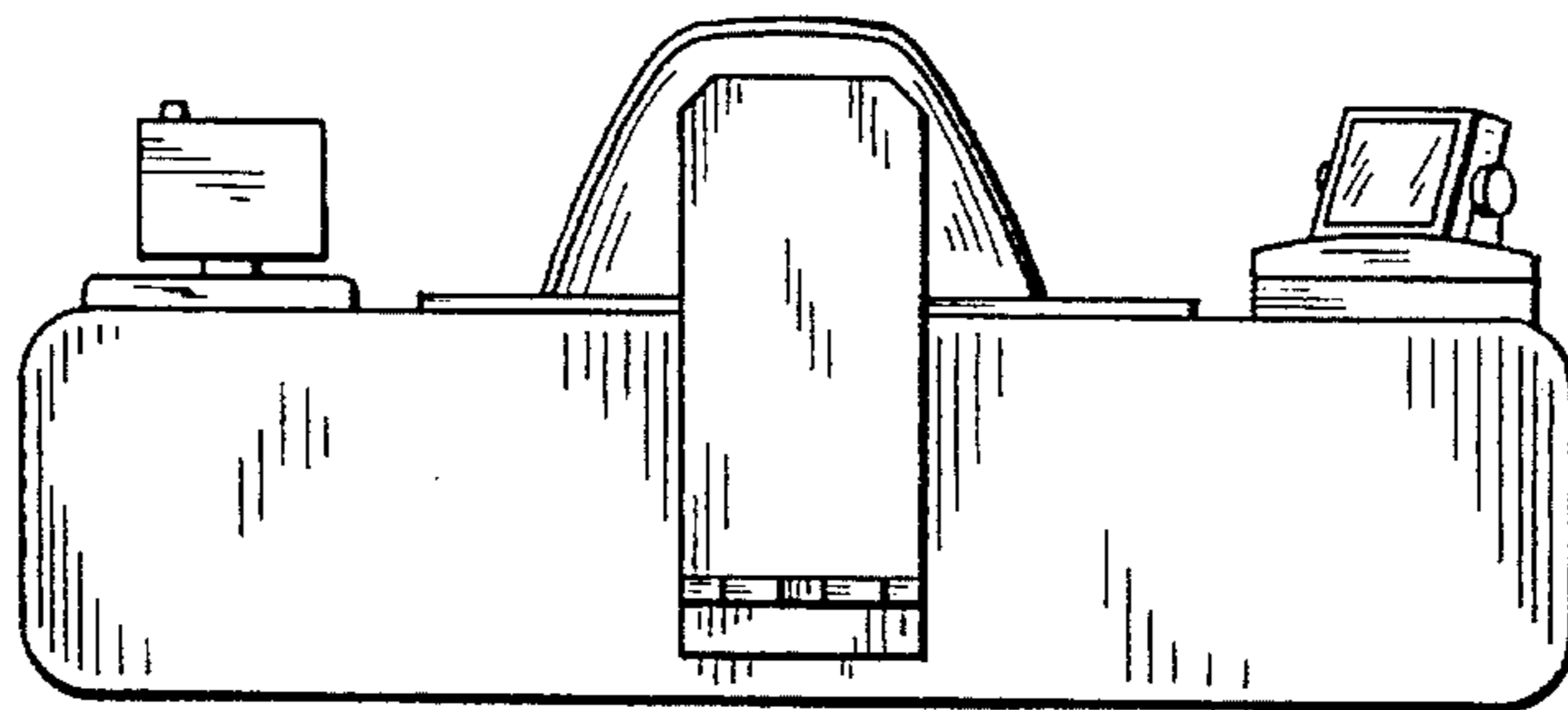


FIG. 5

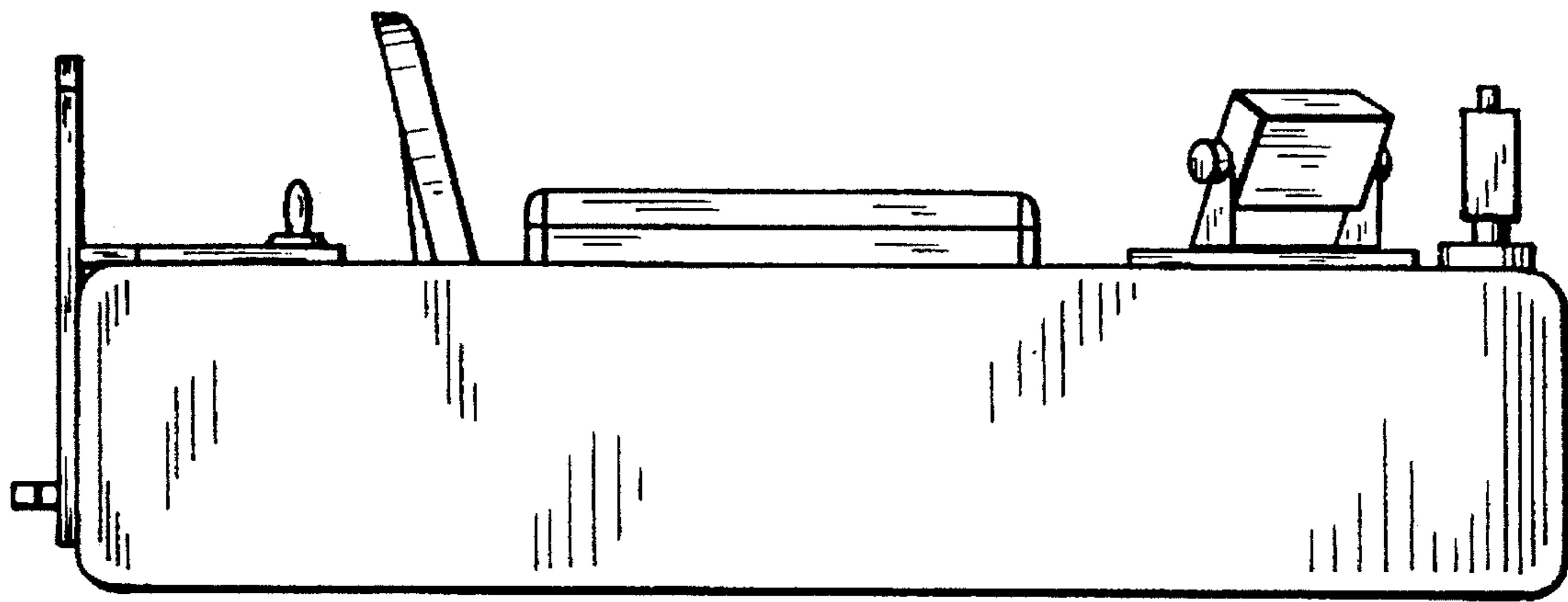


FIG. 6

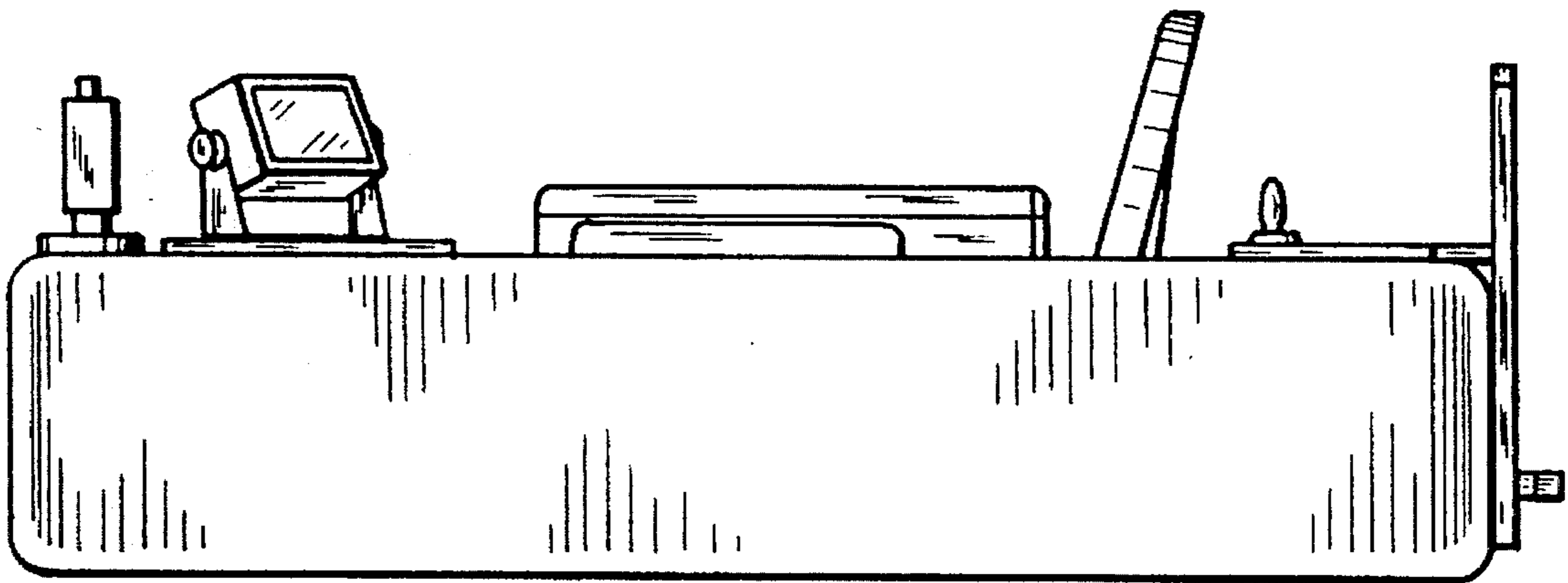


FIG. 7