



US00D362705S

United States Patent [19] Sprecher

[11] **Patent Number:** **Des. 362,705**
[45] **Date of Patent:** ****Sep. 26, 1995**

[54] **PUTTER HEAD**
[76] **Inventor:** **Jeffrey D. Sprecher**, 10232
Orangewood Ave., Garden Grove, Calif.
92640
[**] **Term:** **14 Years**
[21] **Appl. No.:** **26,486**
[22] **Filed:** **Jul. 29, 1994**
[52] **U.S. Cl.** **D21/218**
[58] **Field of Search** **D21/217-219;**
273/167-175

2,665,909 1/1954 Wilson D21/217 X
4,147,357 4/1979 Strop 273/167 FX
4,795,153 1/1989 Thomas 273/168 X
4,902,015 2/1990 Nebbia 273/168
4,951,949 8/1990 Kastenhuber 273/167 G X

Primary Examiner—Theodore M. Shooman
Assistant Examiner—Mitchell I. Siegel
Attorney, Agent, or Firm—Poms, Smith, Lande & Rose

[57] **CLAIM**

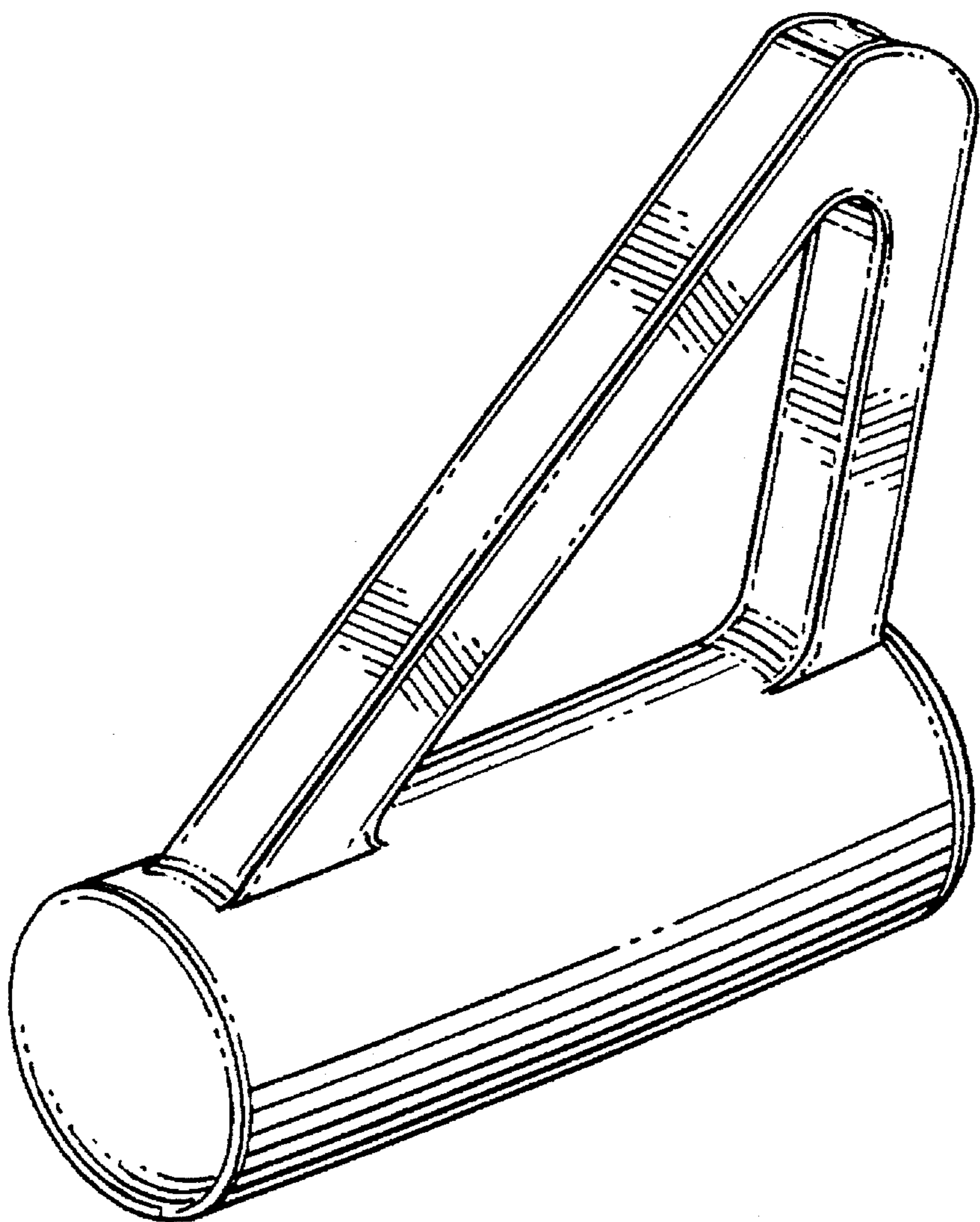
The ornamental design for a putter head, as shown and described.

DESCRIPTION

FIG. 1 is a front, right and top isometric view of putter head showing my new design;
FIG. 2 is a plan view thereof;
FIG. 3 is a bottom view thereof;
FIG. 4 is a rear elevational view thereof; and,
FIG. 5 is a left elevational view thereof.

[56] **References Cited**
U.S. PATENT DOCUMENTS
D. 91,336 1/1934 Thompson 273/167 G X
D. 220,844 6/1971 Letters D21/219
D. 223,031 2/1972 Ernst 273/167 G X
D. 264,864 6/1982 Hahn D21/218
D. 293,355 12/1987 Wampler D21/218
D. 327,929 7/1992 Nebbia et al. D21/219 X

1 Claim, 1 Drawing Sheet



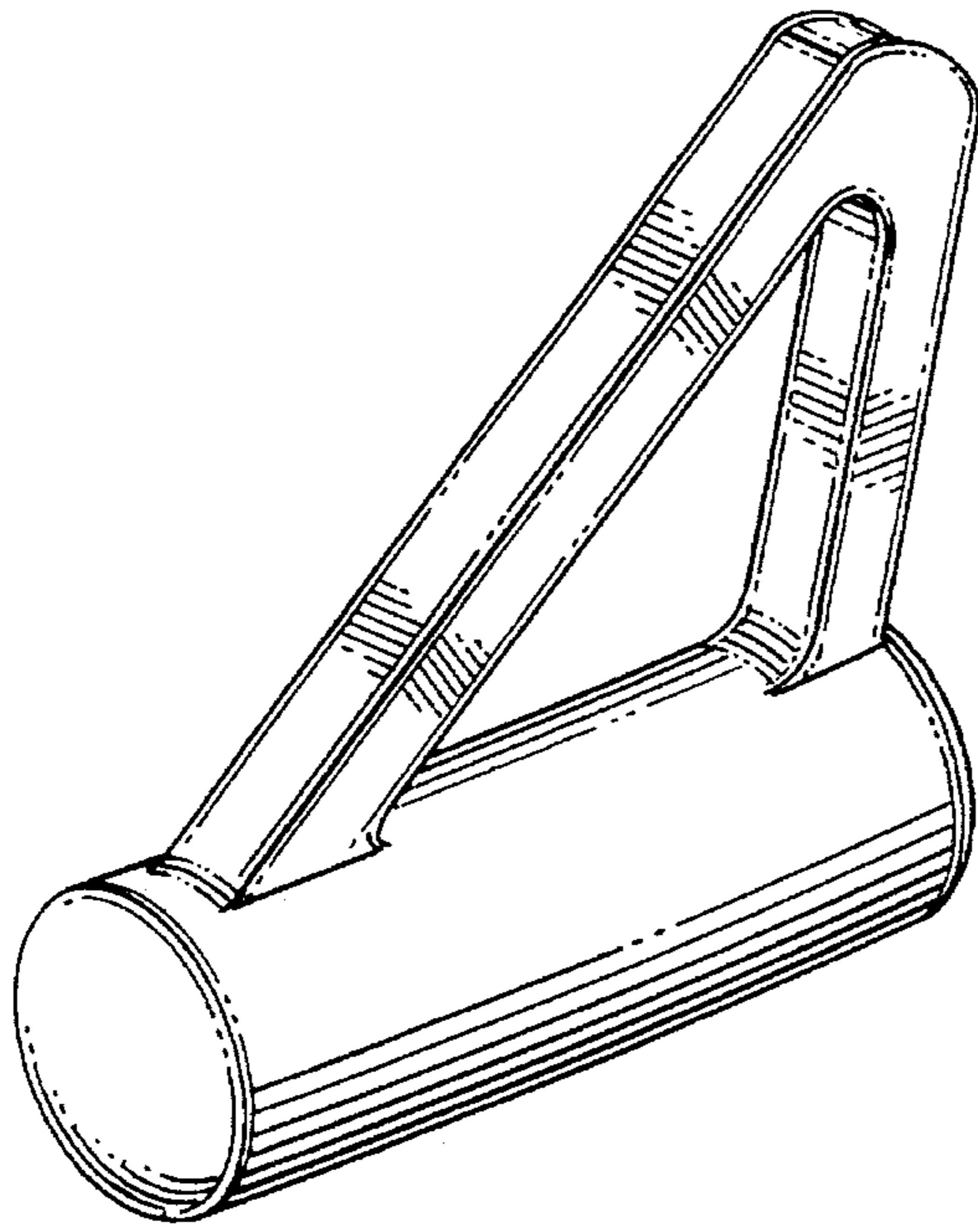


FIG. 1.

FIG. 2.

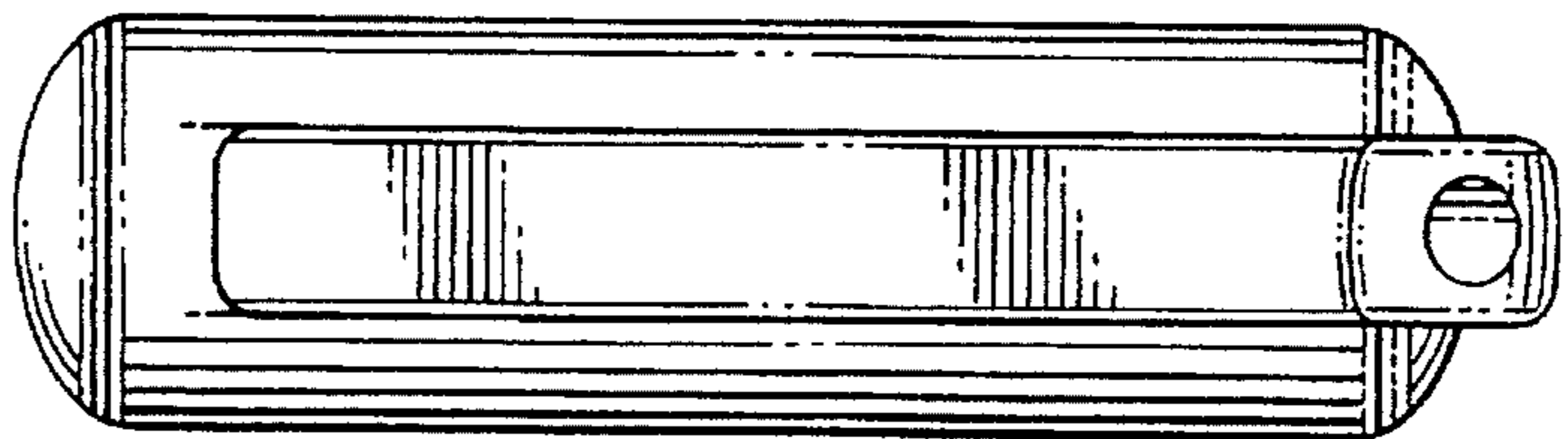


FIG. 3.

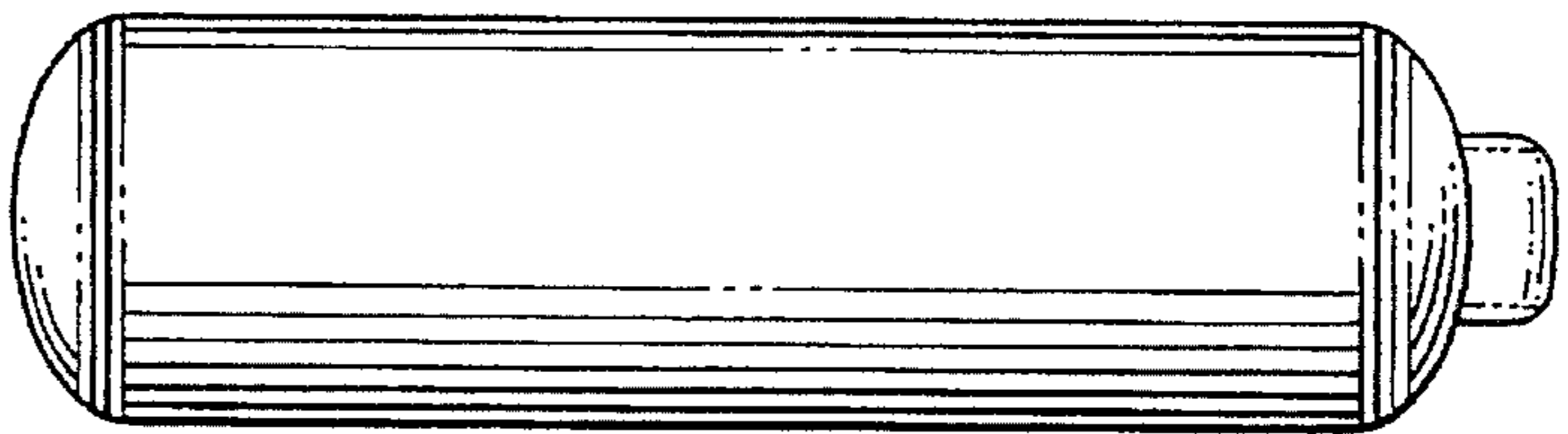


FIG. 5.

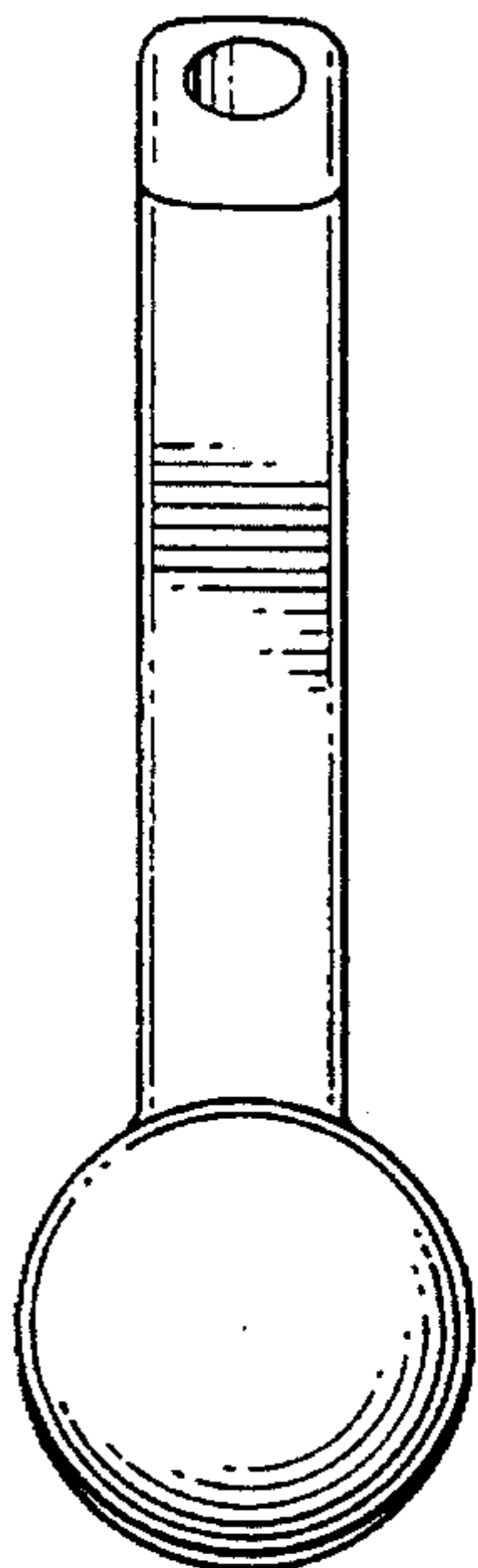


FIG. 4.

