



US00D362701S

United States Patent [19]

[11] Patent Number: **Des. 362,701**

Reilly

[45] Date of Patent: ****Sep. 26, 1995**

[54] **FINGER WEIGHT**

5,144,694 9/1992 Conrad Da oud et al. 2/311

[76] Inventor: **Peter C. Reilly**, Three Hanover Square,
New York, N.Y. 10004

Primary Examiner—Ted Shooman
Assistant Examiner—Philip Hyder
Attorney, Agent, or Firm—Charles E. Baxley

[**] Term: **14 Years**

[57] **CLAIM**

[21] Appl. No.: **28,454**

The ornamental design for finger weight, as shown and described.

[22] Filed: **Sep. 15, 1994**

[52] U.S. Cl. **D21/196**

[58] Field of Search D21/191, 197,
D21/198, 196; 482/105, 44; D24/196; D11/189,
190; 2/161, 162, 163, 181, 338, DIG. 11

DESCRIPTION

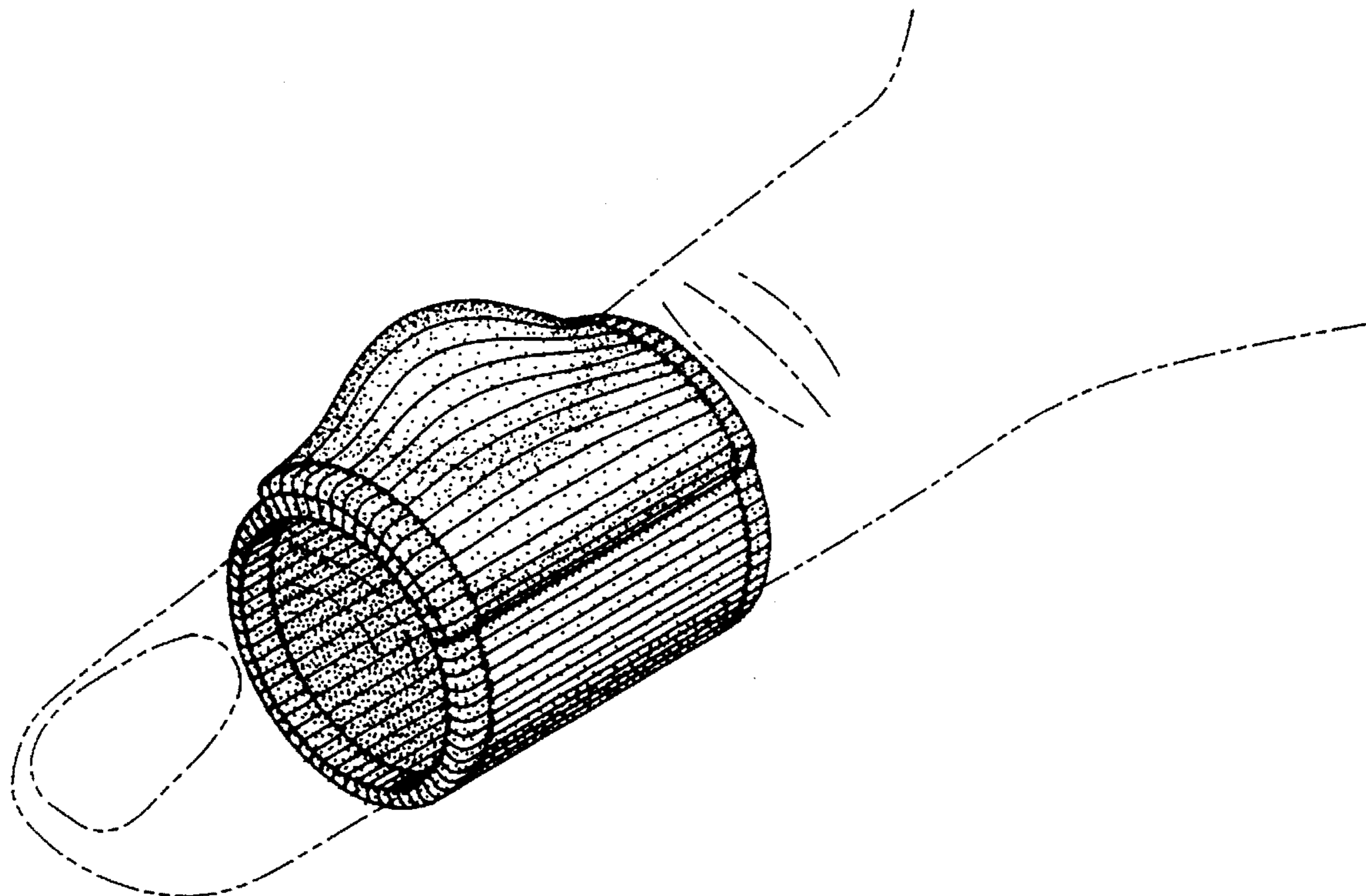
[56] **References Cited**

U.S. PATENT DOCUMENTS

19,814	3/1858	Monestier	482/48
D. 287,525	12/1986	Durward	D21/196
D. 287,640	1/1987	Primiano	D24/190
D. 335,938	5/1993	Kam	D24/190
D. 342,039	12/1993	Ambar	D11/26
4,517,685	5/1985	Lesley	2/DIG. 11
4,675,915	6/1987	Siciliano	2/181
5,058,885	10/1991	Brant	482/48

FIG. 1 is a perspective elevational view of a finger weight according to my design;
FIG. 2 is a front elevational view thereof, the rear end elevational view thereof being a mirror image of FIG. 2;
FIG. 3 is a right elevational view thereof, the left elevational view thereof being a mirror image of FIG. 3;
FIG. 4 is a top plan view thereof; and,
FIG. 5 is a bottom plan view thereof.
The broken line showing of a finger in FIG. 1 is for illustrative purposes only and forms no part of the claimed design.

1 Claim, 1 Drawing Sheet



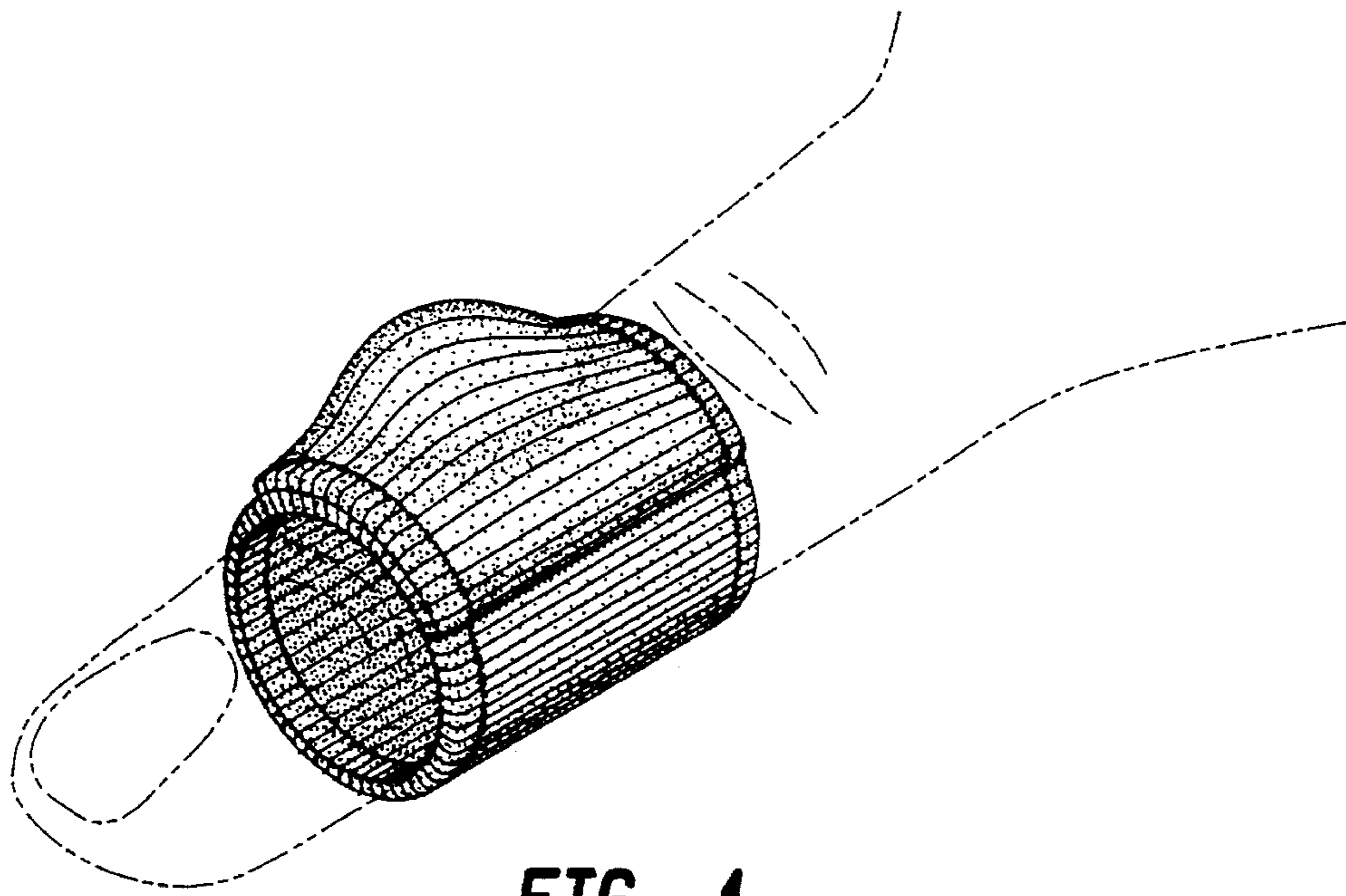


FIG. 1

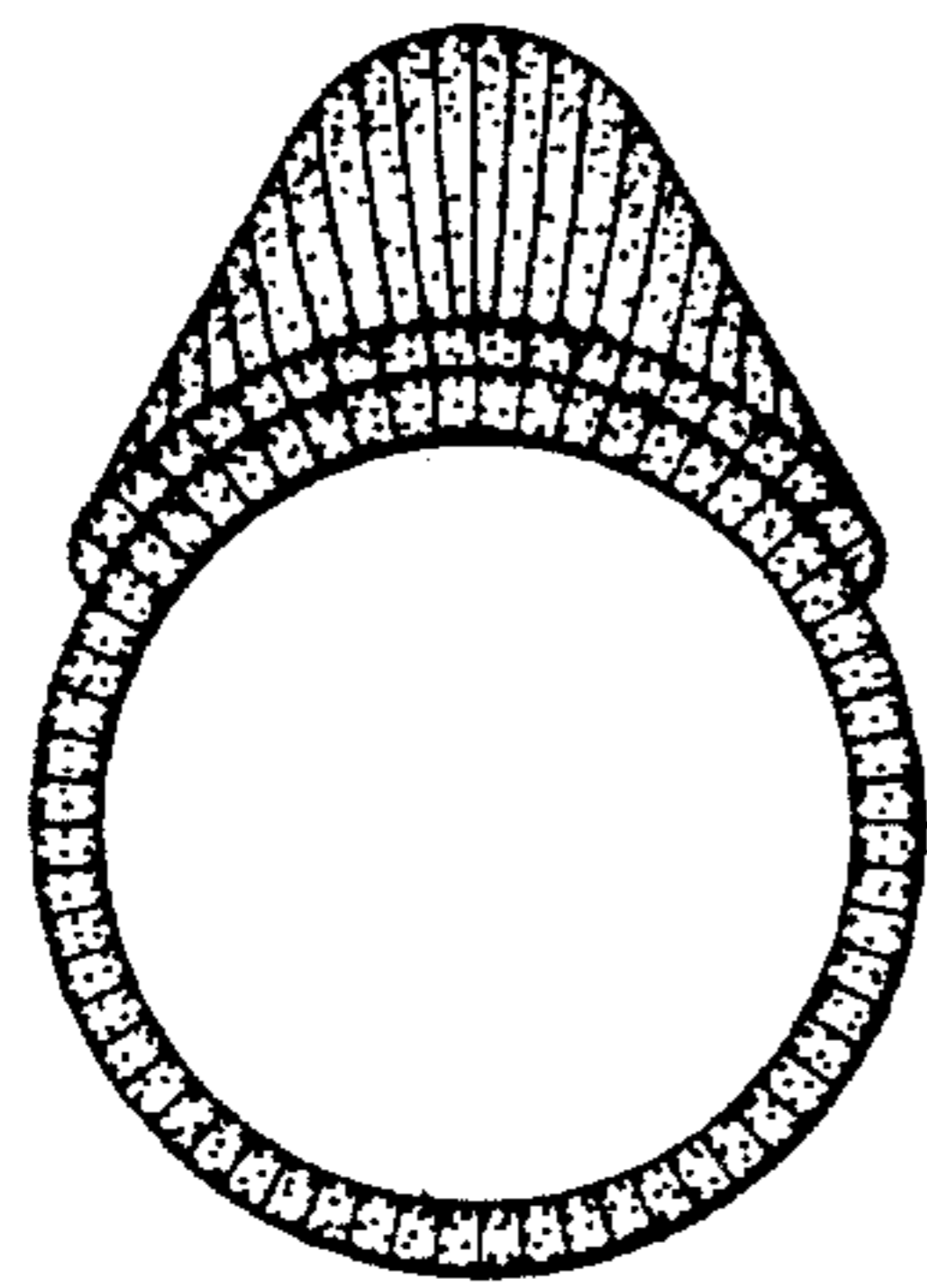


FIG. 2

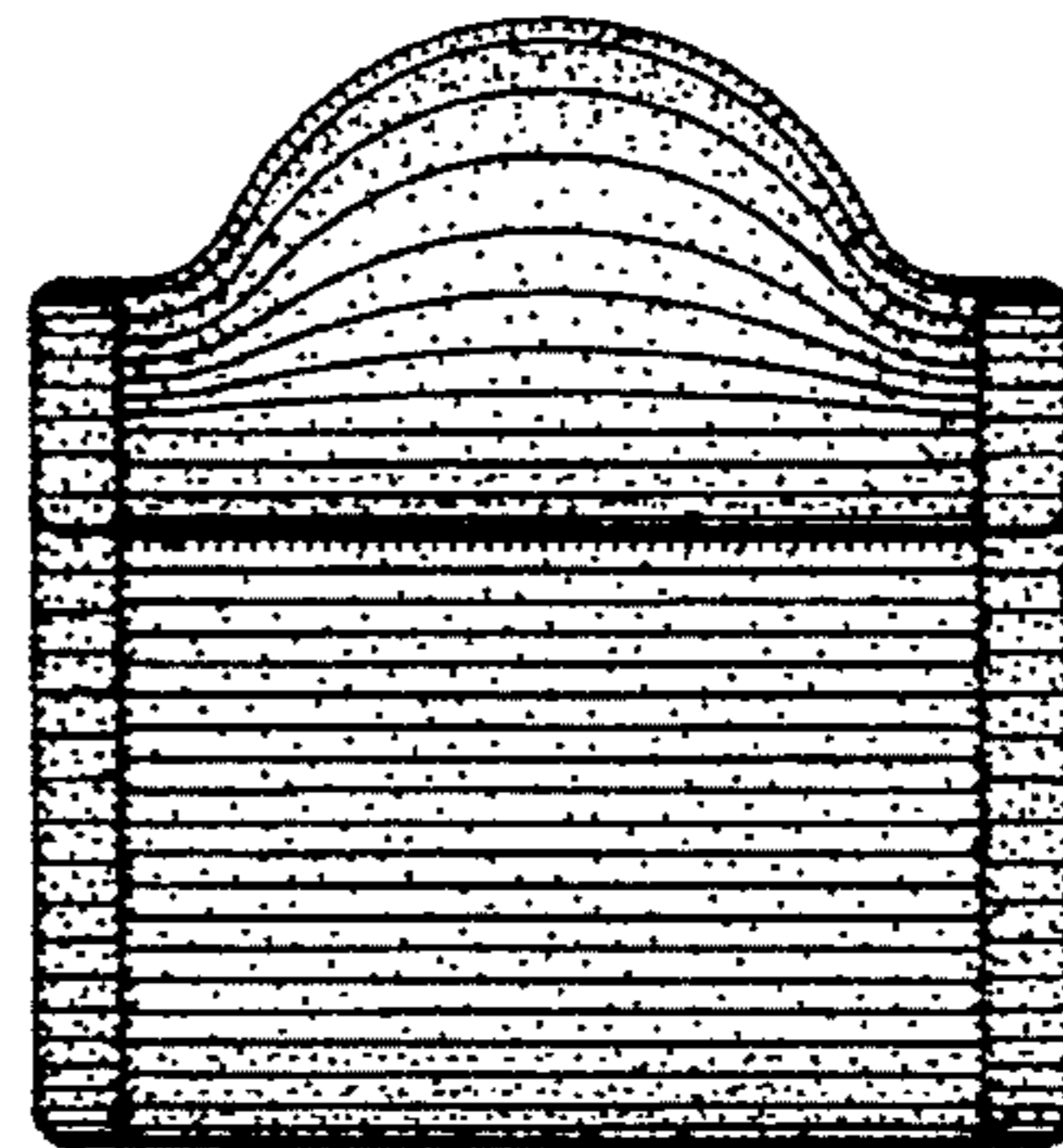


FIG. 3

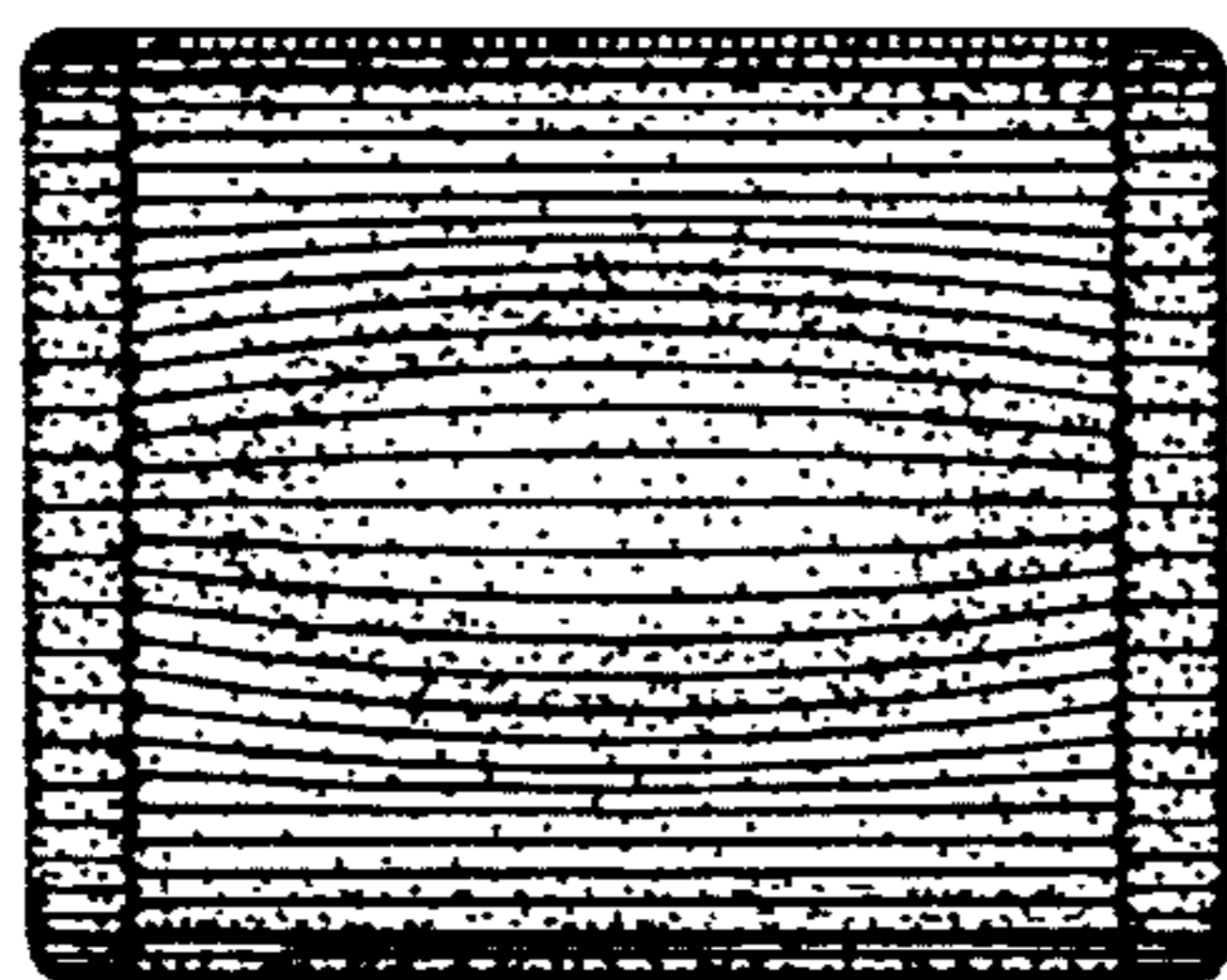


FIG. 4

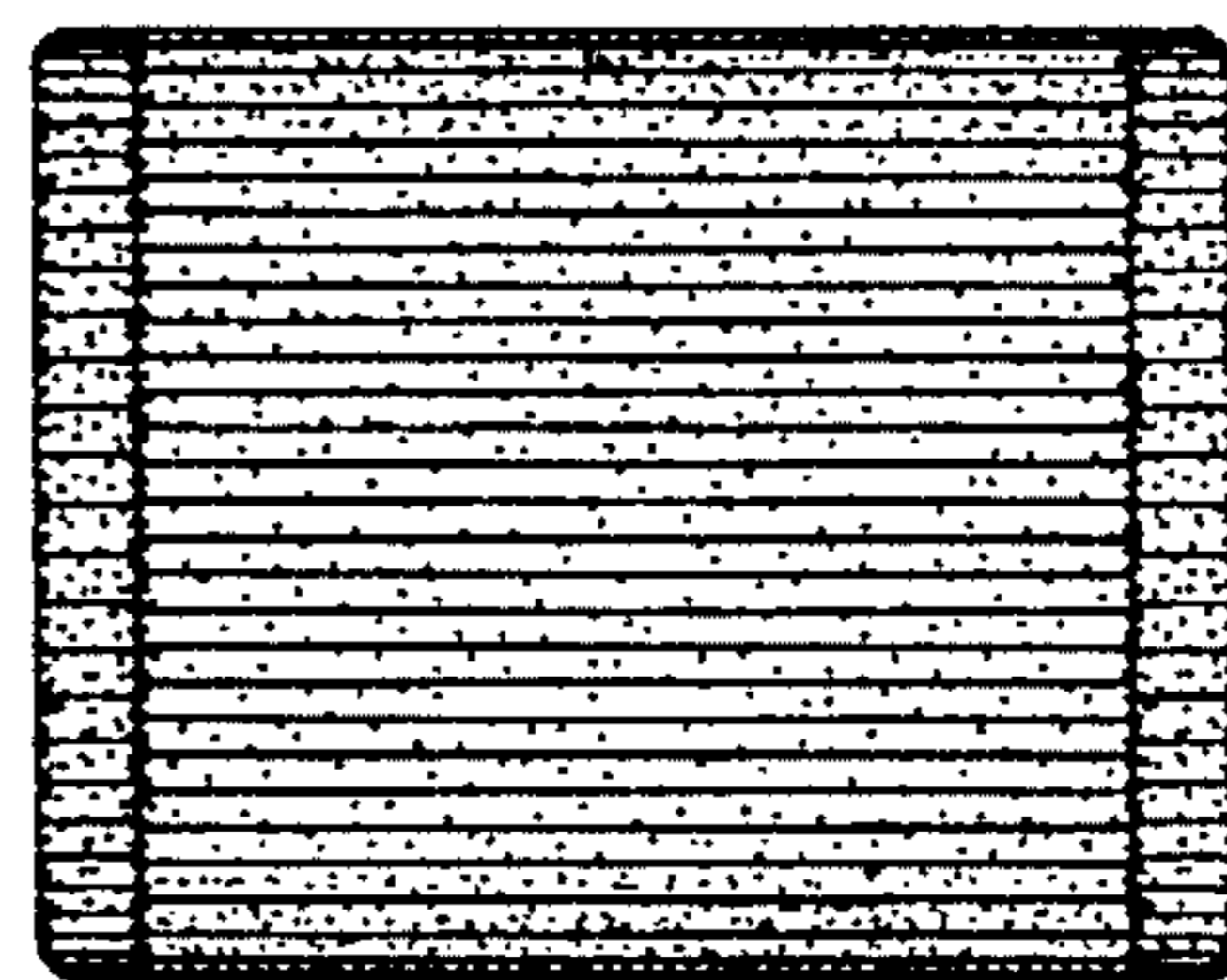


FIG. 5