



US00D362700S

United States Patent [19]

[11] Patent Number: **Des. 362,700**

Breibart et al.

[45] Date of Patent: ****Sep. 26, 1995**

[54] **PHYSICAL EXERCISER**

[76] Inventors: **Joan R. Breibart**, 3101 Old Pecos Trail, Santa Fe, N.M. 87505; **Michele K. Larsson**, P.O. Box 22983, Santa Fe, N.M. 87502

[**] Term: **14 Years**

[21] Appl. No.: **25,524**

[22] Filed: **Jul. 5, 1994**

[52] U.S. Cl. **D21/195**

[58] Field of Search D21/191, 195; 482/95, 142, 72, 138, 94, 140, 145

5,066,005	11/1991	Luecki	482/96
5,110,122	5/1992	Moore et al.	482/138
5,232,426	8/1993	Van Straaten	482/142
5,338,278	8/1994	Endelman	482/142

OTHER PUBLICATIONS

Institute for the Pilates Method, Sales Brochure for Mini-Reformer, 1994.
Michele Meyer, "Fitness," *Lears*, pp. 38-39, Jan. 1994.

Primary Examiner—Terry A. Wallace
Assistant Examiner—Philip Hyder
Attorney, Agent, or Firm—DeWitt M. Morgan; Kevin Lynn Wildenstein

[57] **CLAIM**

The ornamental design for a physical exerciser, as shown and described.

DESCRIPTION

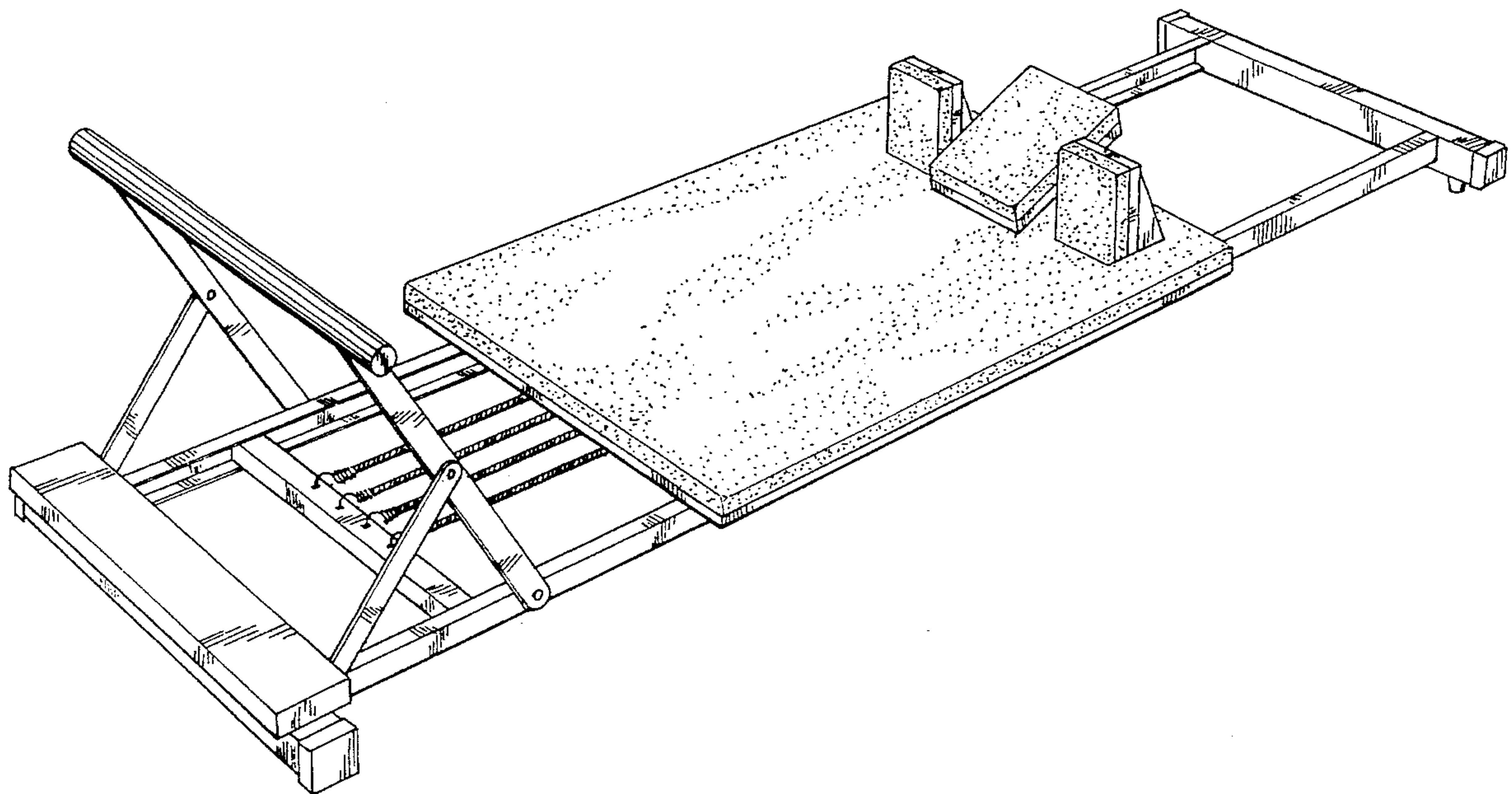
FIG. 1 is a perspective view of the physical exerciser; FIG. 2 is the top view of the physical exerciser; FIG. 3 is the side view of the physical exerciser, the opposite side being a mirror image; FIG. 4 is the bottom view of the physical exerciser; FIG. 5 is an end view of the physical exerciser; and, FIG. 6 is the opposite end view of the physical exerciser.

1 Claim, 4 Drawing Sheets

[56] **References Cited**

U.S. PATENT DOCUMENTS

D. 284,597	7/1986	Smith et al.	D21/195
D. 347,251	5/1994	Dreibelbis et al.	D21/195
1,621,477	3/1927	Pilates .	
3,770,267	11/1973	McCarthy	482/72
3,904,196	9/1975	Berlin	482/72
4,004,801	1/1977	Campanaro et al. .	
4,468,025	8/1984	Sferle	482/72
4,706,953	11/1987	Graham	482/72
4,762,363	8/1988	Hart	482/72
4,884,802	12/1989	Graham	482/72
5,042,797	8/1991	Graham	482/72



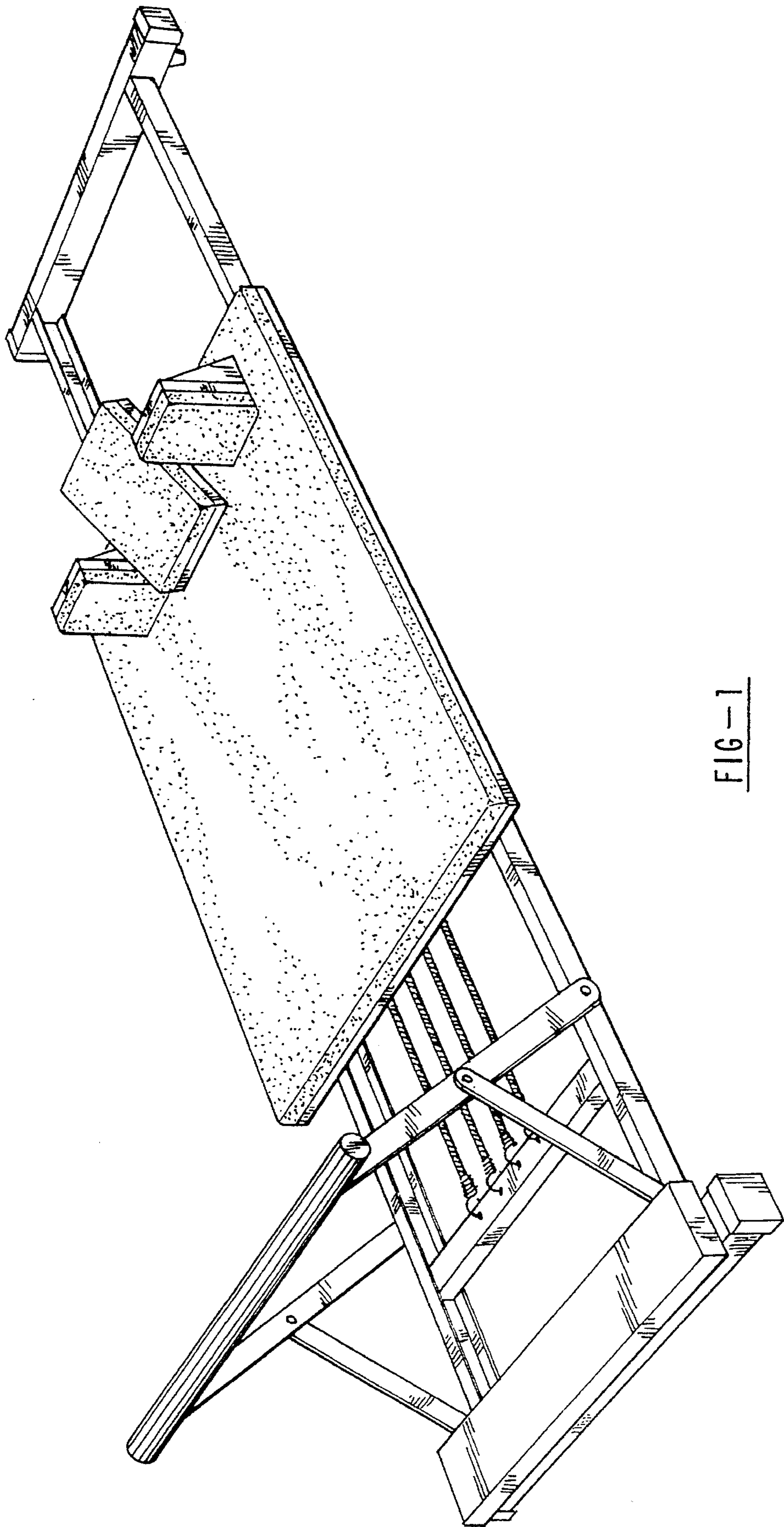


FIG-1

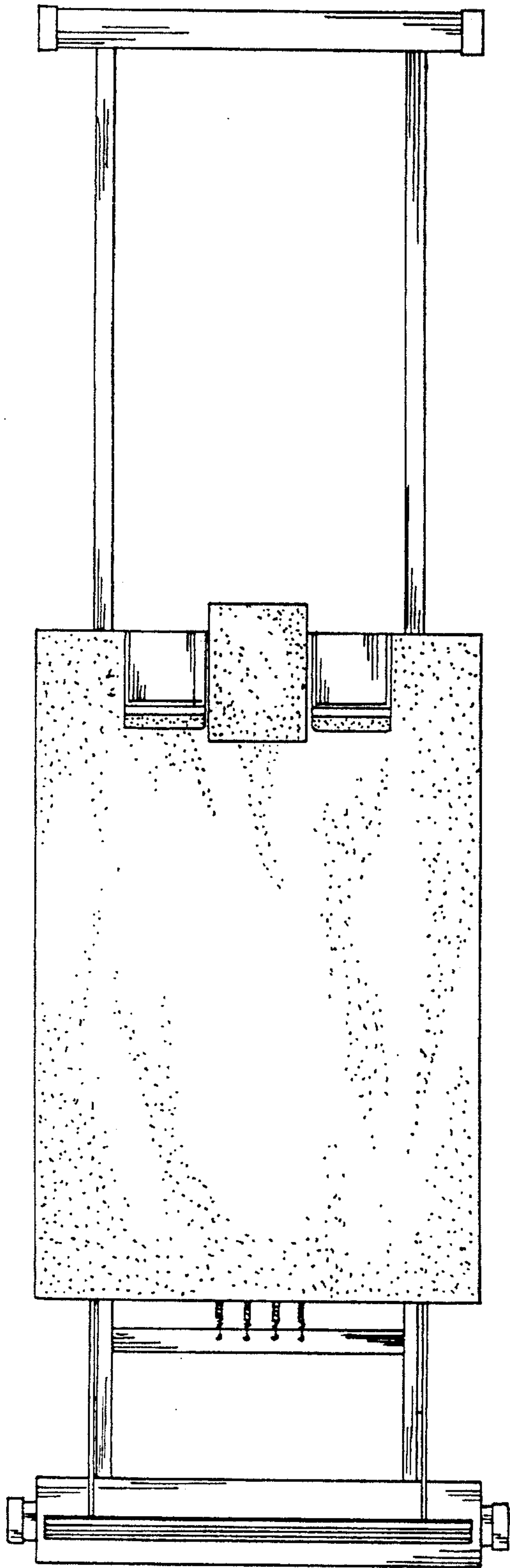


FIG - 2

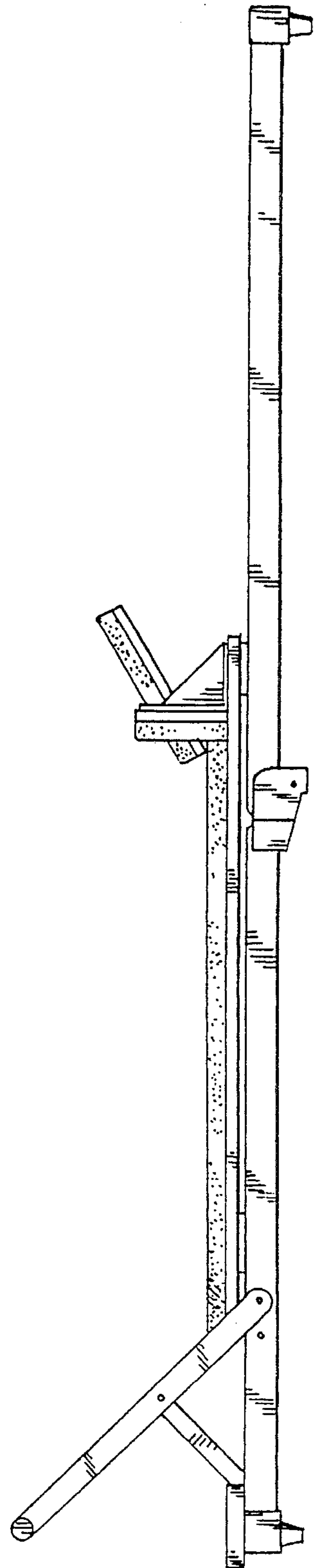


FIG - 3

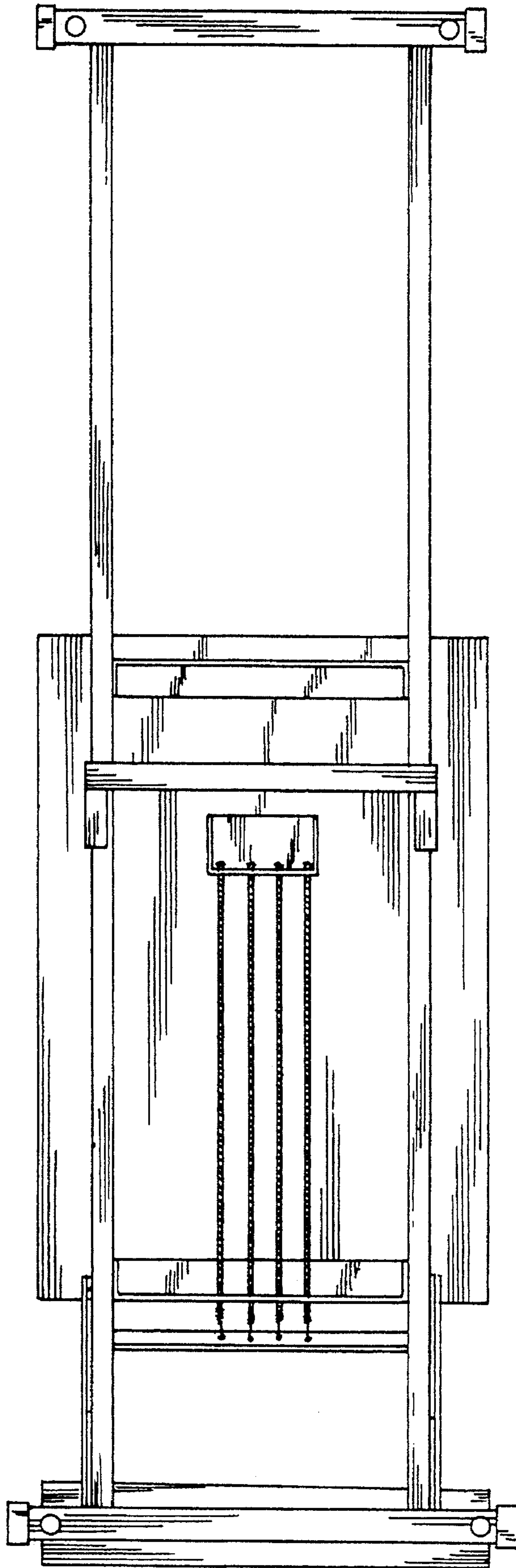


FIG - 4

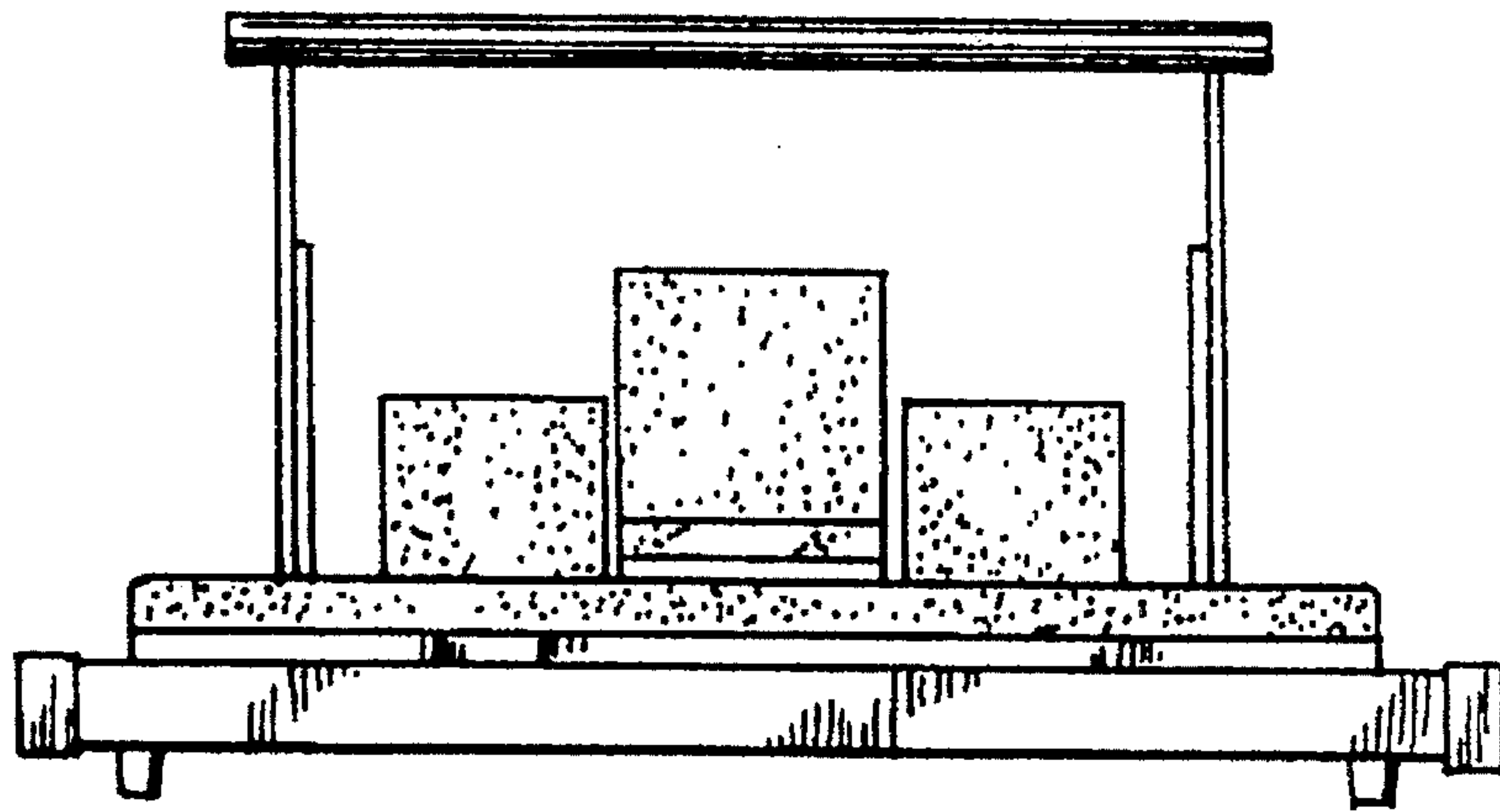


FIG - 5

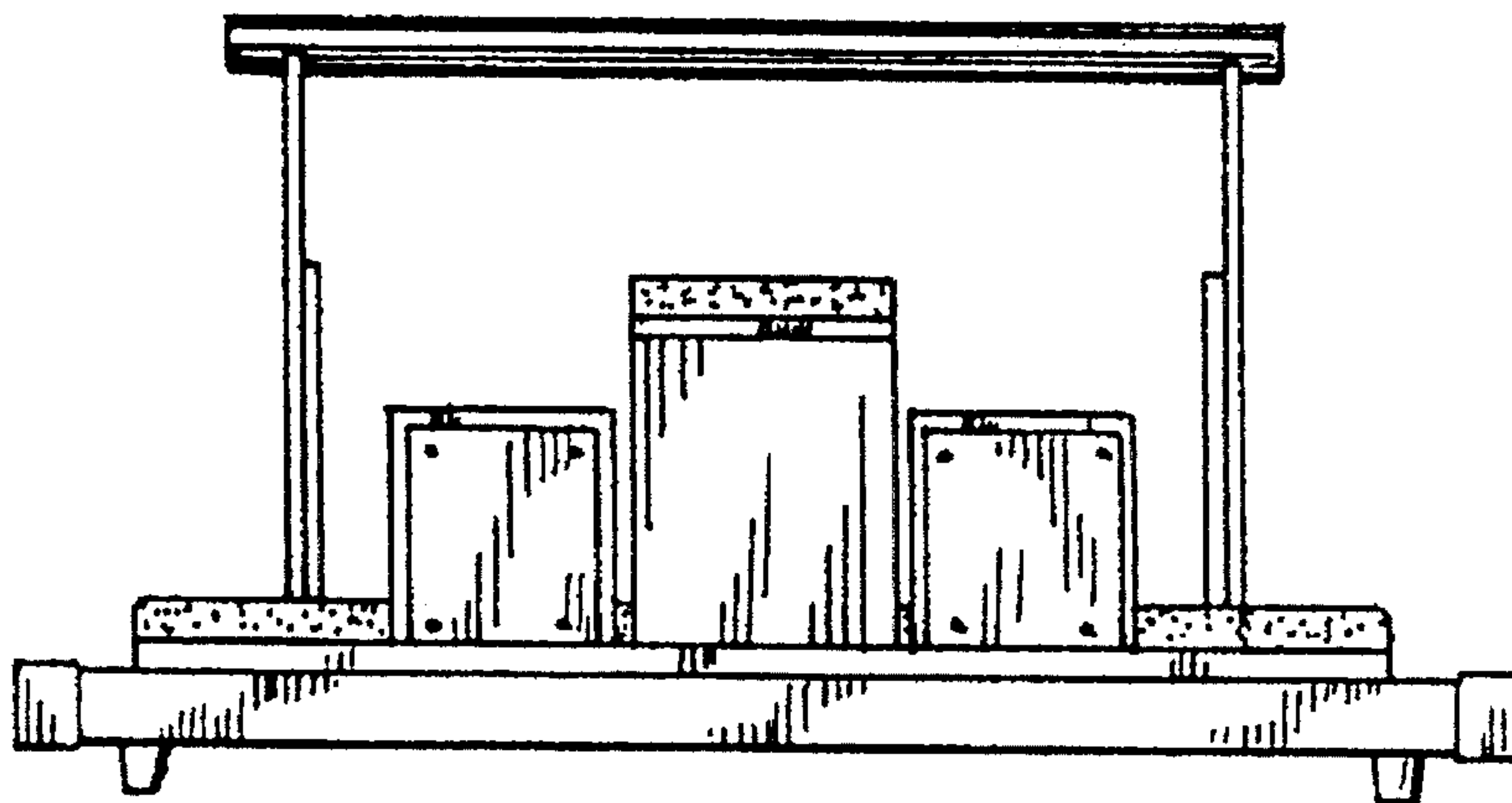


FIG - 6