



US00D362699S

United States Patent [19]

[11] Patent Number: **Des. 362,699**

Heaton et al.

[45] Date of Patent: ****Sep. 26, 1995**

[54] **RECUMBENT EXERCISE BIKE**

[75] Inventors: **Jeffrey S. Heaton**, Kirkland; **Gustavo Aramburu**, Lynnwood; **Kenneth G. Real**, Redmond, all of Wash.

[73] Assignee: **Tunturi, Inc.**, Redmond, Wash.

[**] Term: **14 Years**

[21] Appl. No.: **24,962**

[22] Filed: **Jun. 24, 1994**

[52] U.S. Cl. **D21/194**

[58] Field of Search D21/191, 194,
D21/195; 482/51, 57, 58, 59

[56] **References Cited**

U.S. PATENT DOCUMENTS

D. 298,641	11/1988	Sheltra	D21/194
D. 300,047	2/1989	Sheltra	D21/194
D. 320,826	10/1991	Hildebrandt et al.	D21/194
D. 330,237	10/1992	Miller	D21/194
D. 340,758	10/1993	Ueda	D21/194
D. 342,299	12/1993	Birrell et al.	D21/194
D. 347,039	5/1994	Littrell et al.	D21/194
D. 353,422	12/1994	Bostic et al.	D21/194

OTHER PUBLICATIONS

Ad on Nautilus Recumbent Cycle, 1994.
Flyer on Schwinn Recumbent Bike DX900 and others,
undated.

Brochure on Easy Rider Recumbent Bike, undated.
Flyer on Precor Com'l Recumbent Cycle EC860, 1991.
Flyer on Diversified Products Comfort Cruiser 20-1800,
1993.
Flyer on Diversified Products EMR Bike 13-1600, 1993.
Flyer on Tunturi Recumbent Cycle E414, 1991.
Flyer on Tunturi Recumbent Cycle E504, undated.
Flyer on Tunturi Recumbent Cycle E803, undated.
Flyer on Life Plus, Inc. Life Plus 2000 Exercise Bike, 1989.

Primary Examiner—Ted Shooman
Assistant Examiner—Philip Hyder
Attorney, Agent, or Firm—Graybeal Jackson Haley &
Johnson

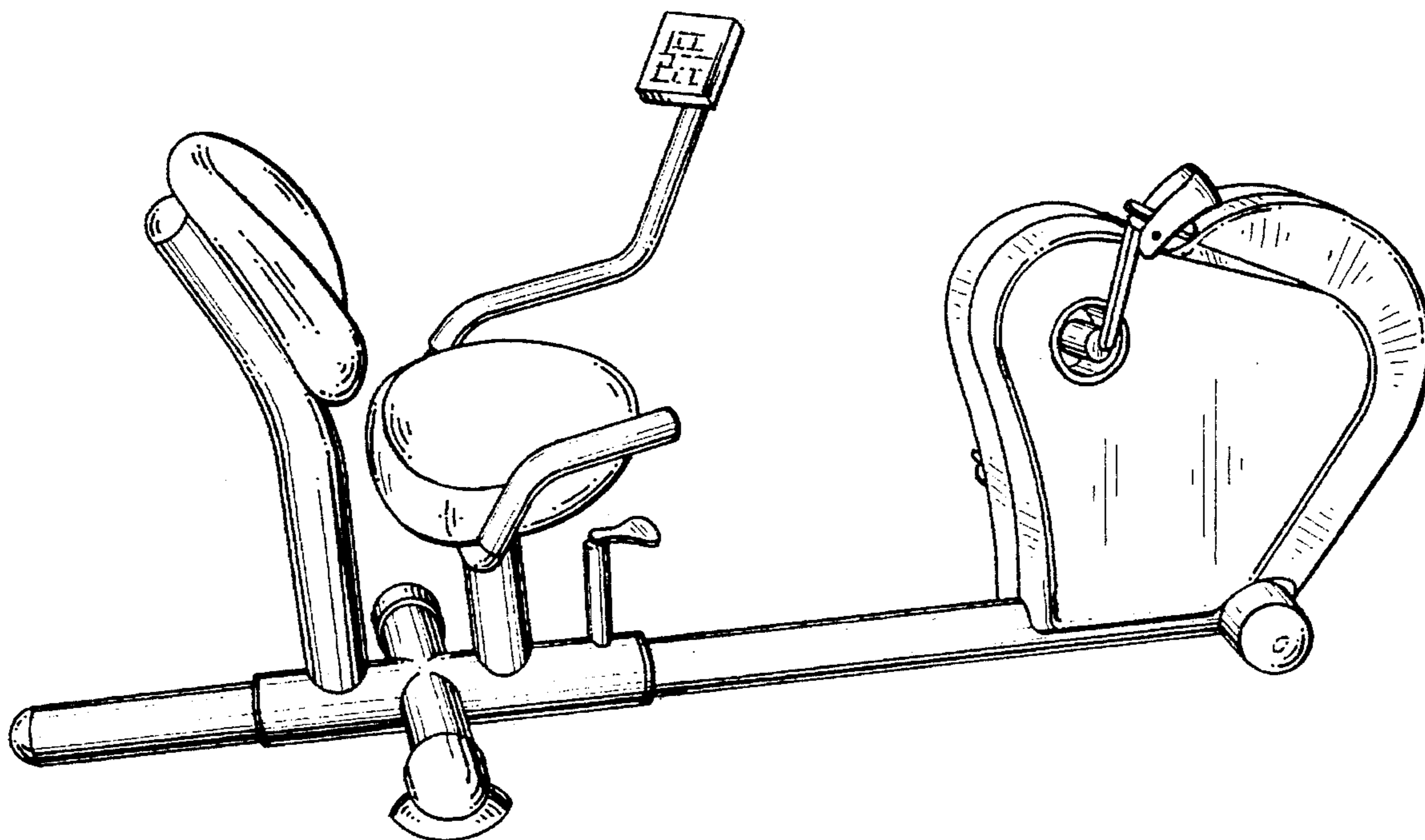
[57] **CLAIM**

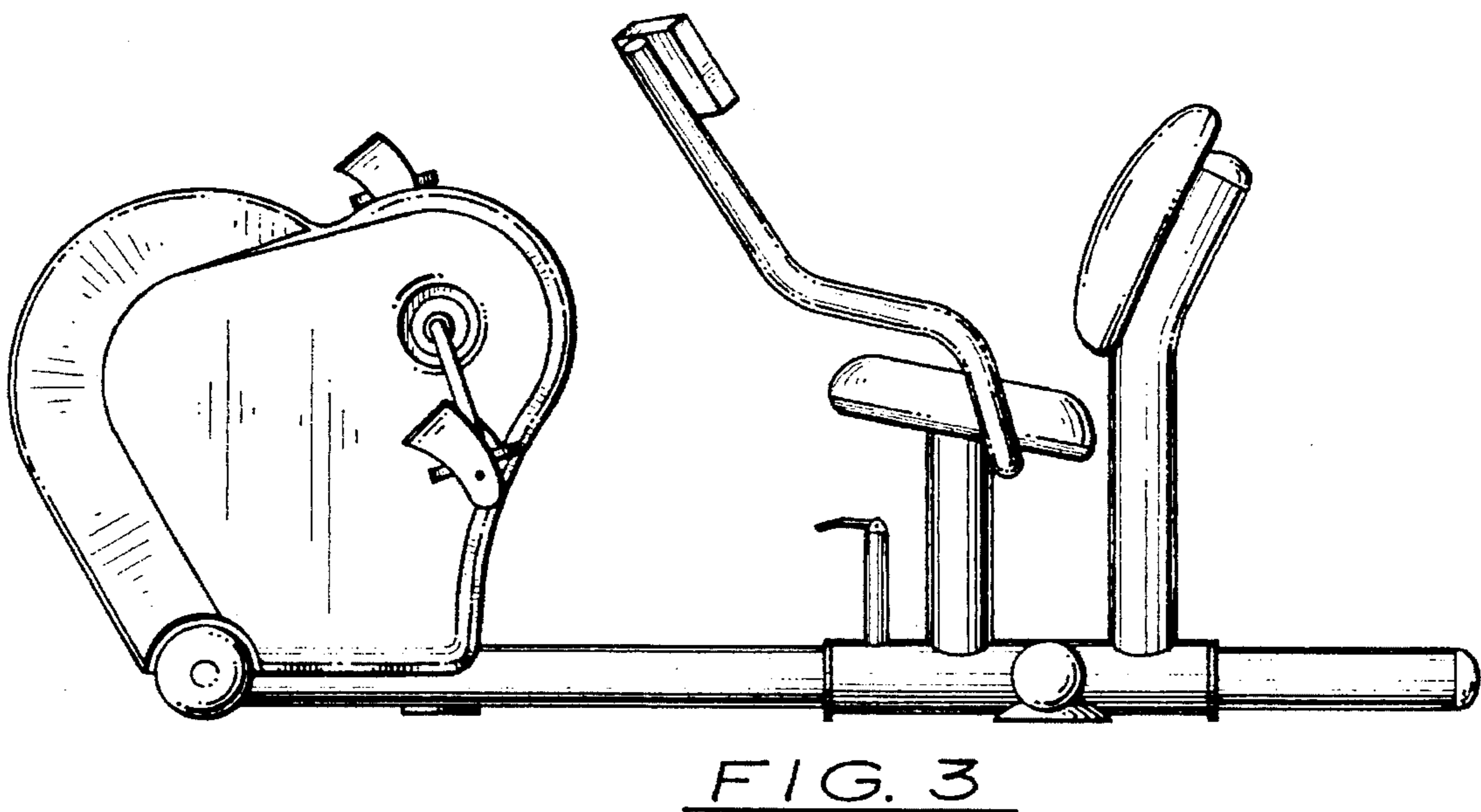
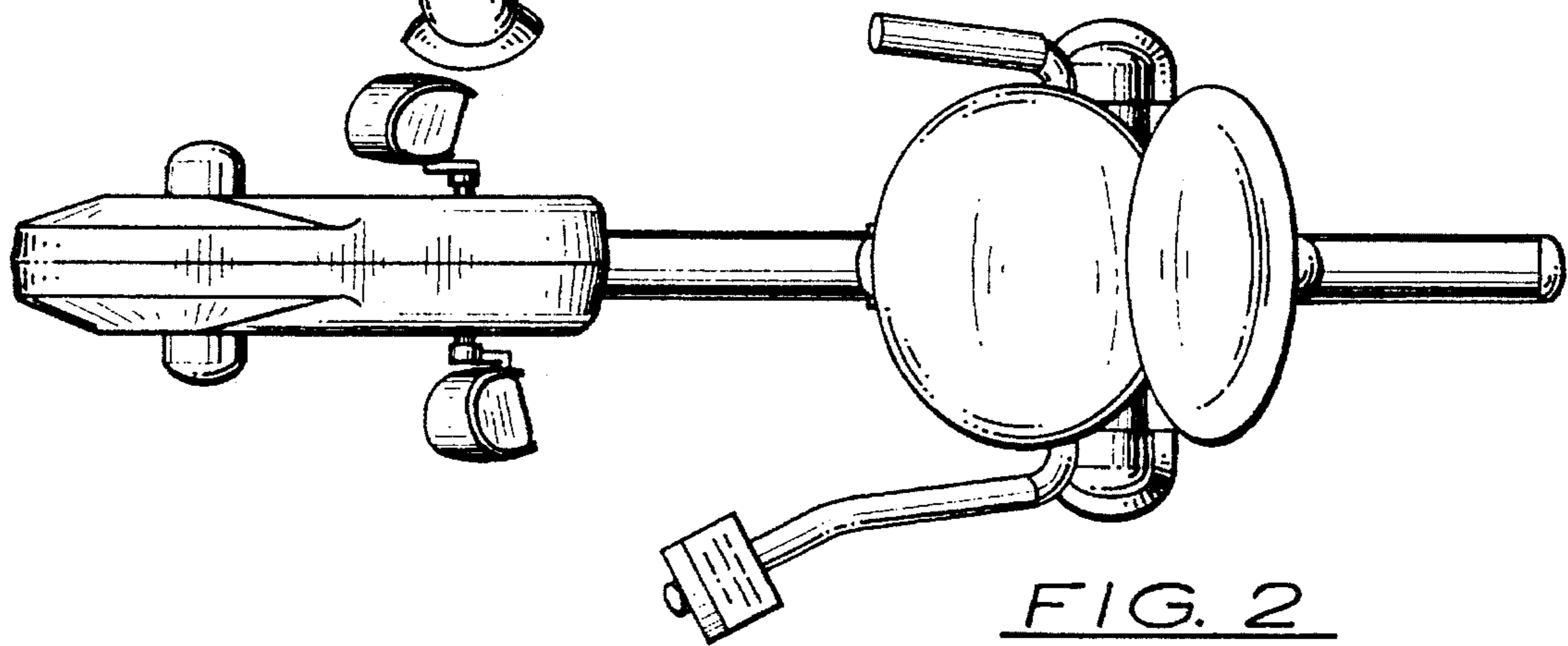
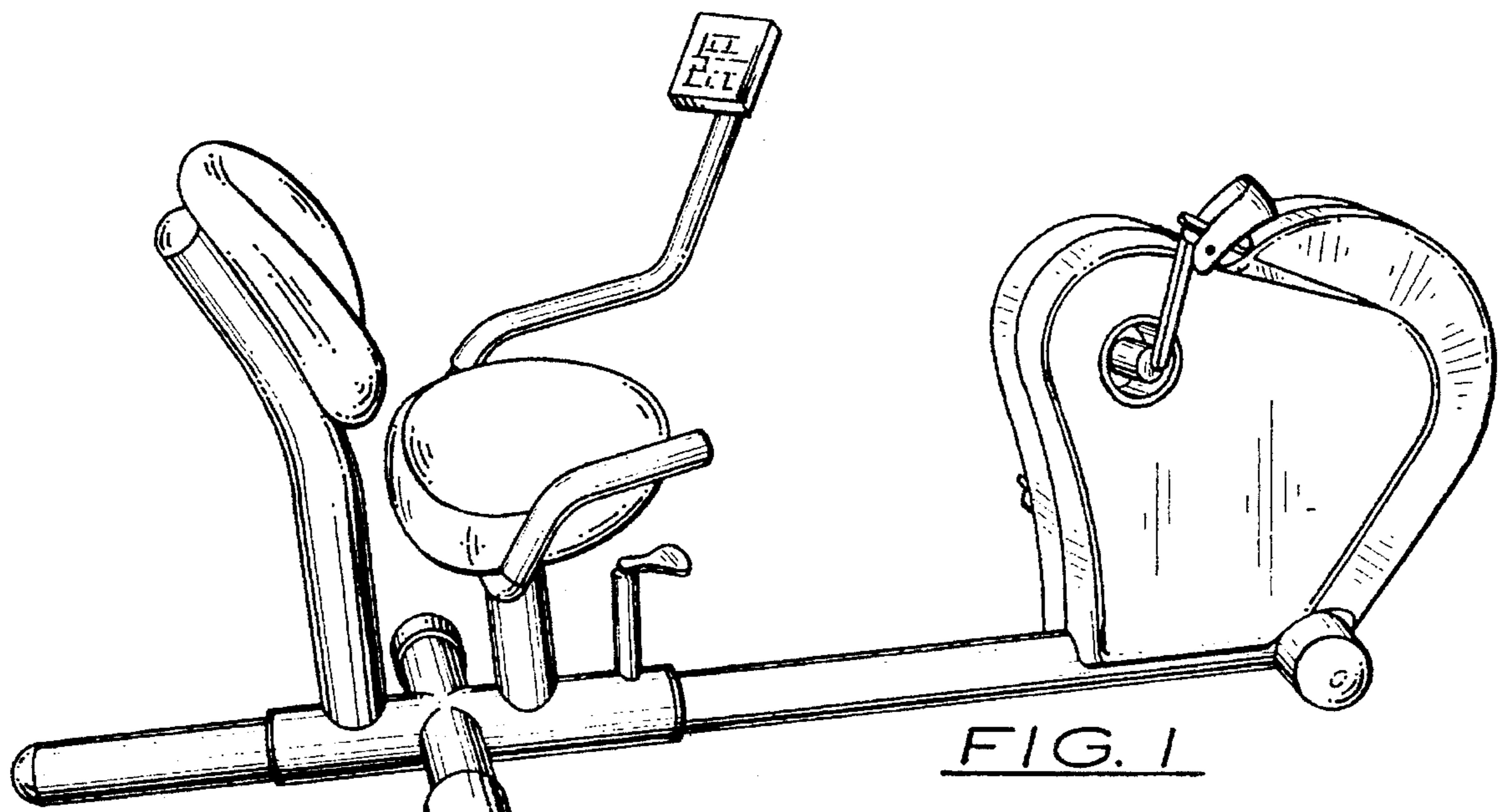
The ornamental design for a recumbent exercise bike, as shown.

DESCRIPTION

FIG. 1 is a perspective view of a recumbent exercise bike, taken from the top and right side, showing my new design; FIG. 2 is a top plan view thereof; FIG. 3 is a left side elevational view thereof; FIG. 4 is a right side elevational view thereof; FIG. 5 is a front view thereof; FIG. 6 is a rear view thereof; and, FIG. 7 is a bottom plan view thereof.

1 Claim, 2 Drawing Sheets





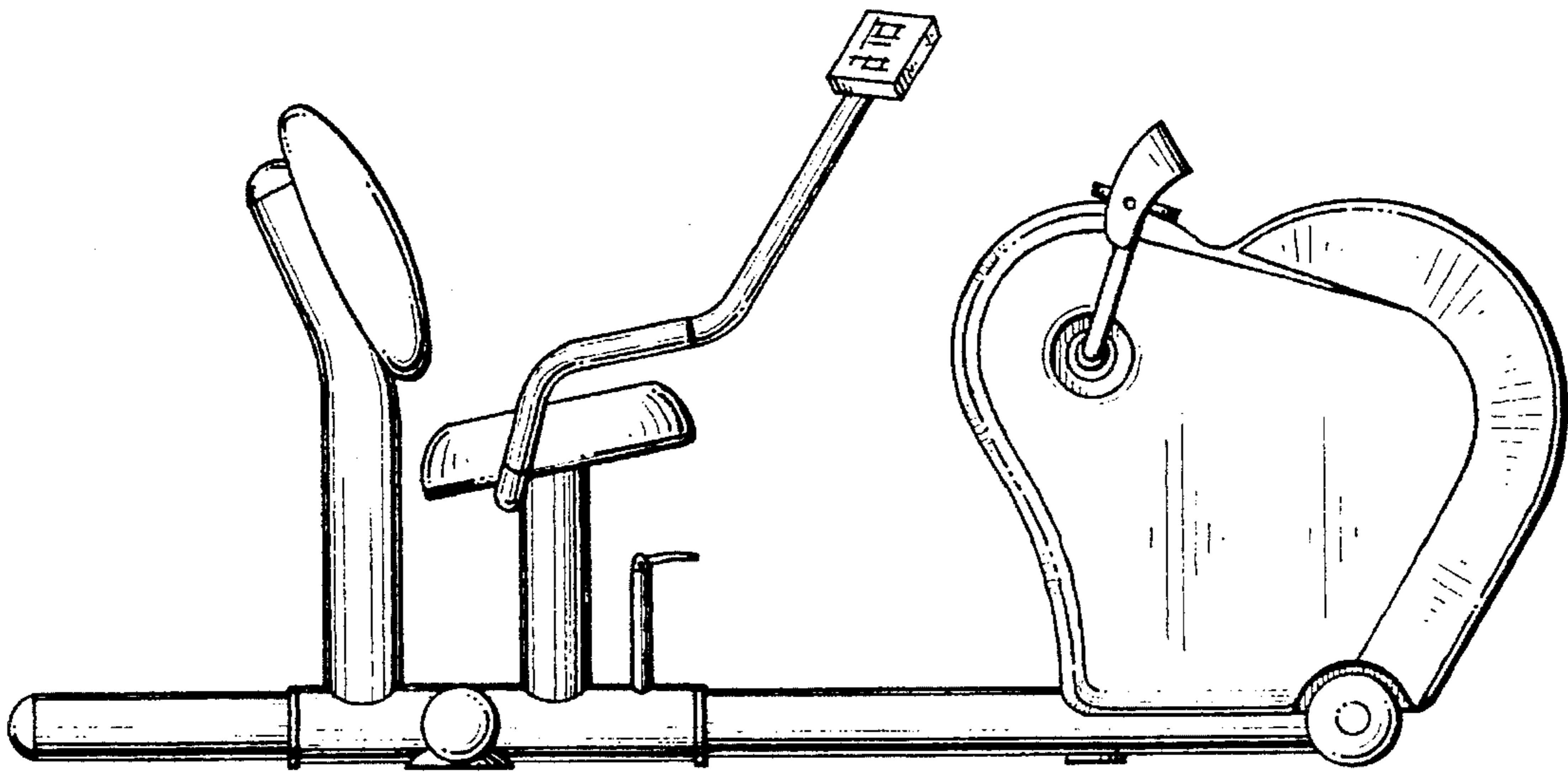


FIG. 4

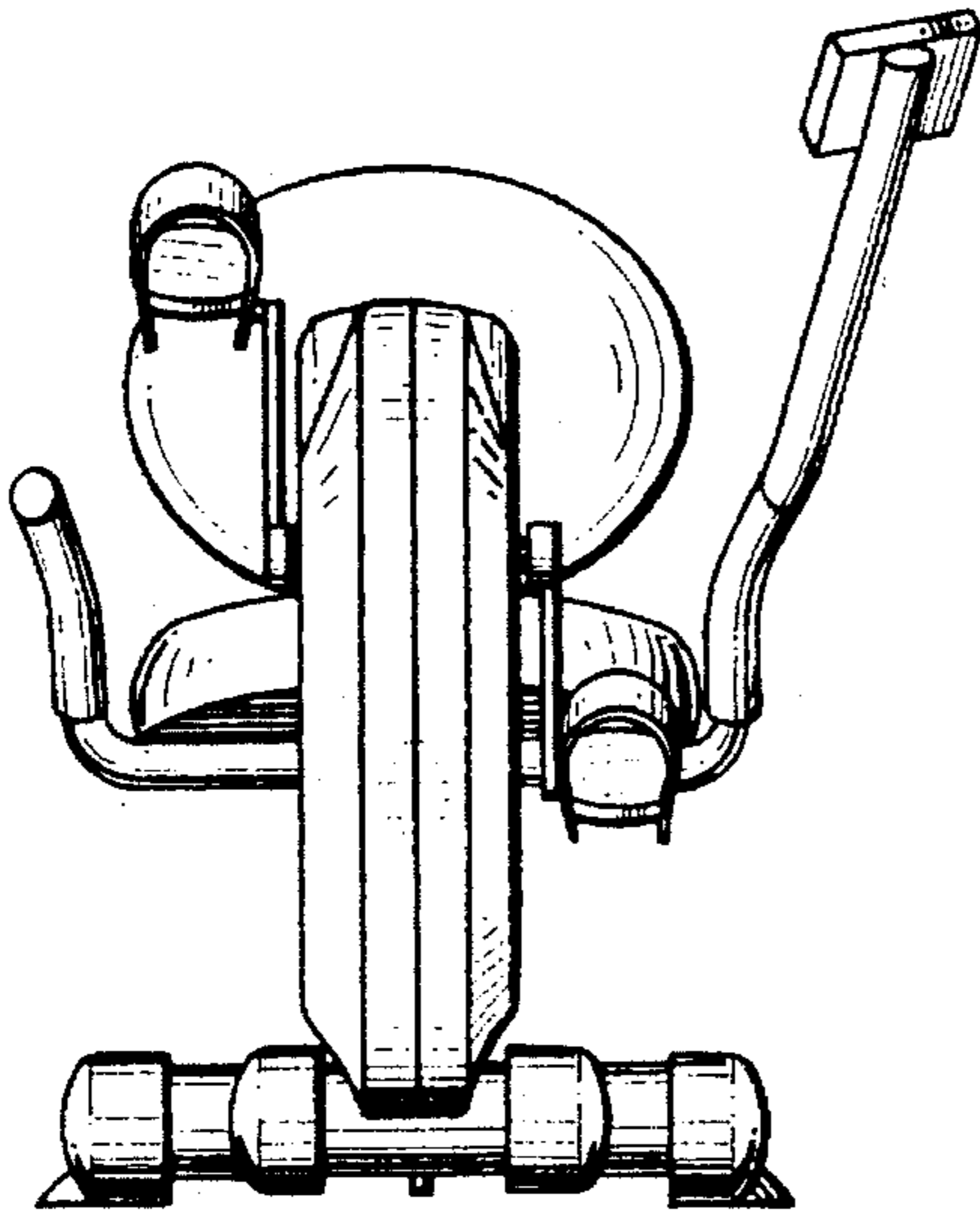


FIG. 5

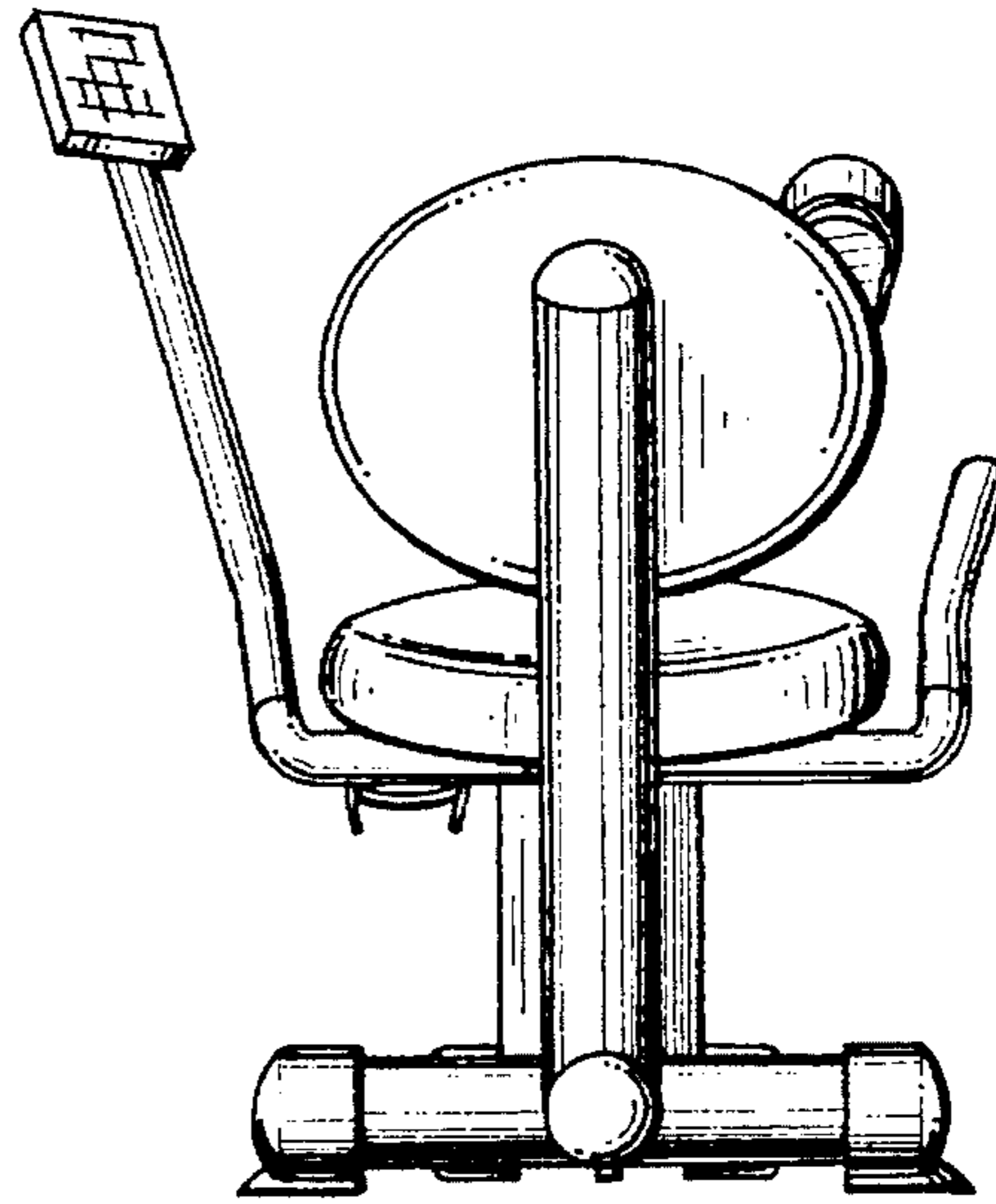


FIG. 6

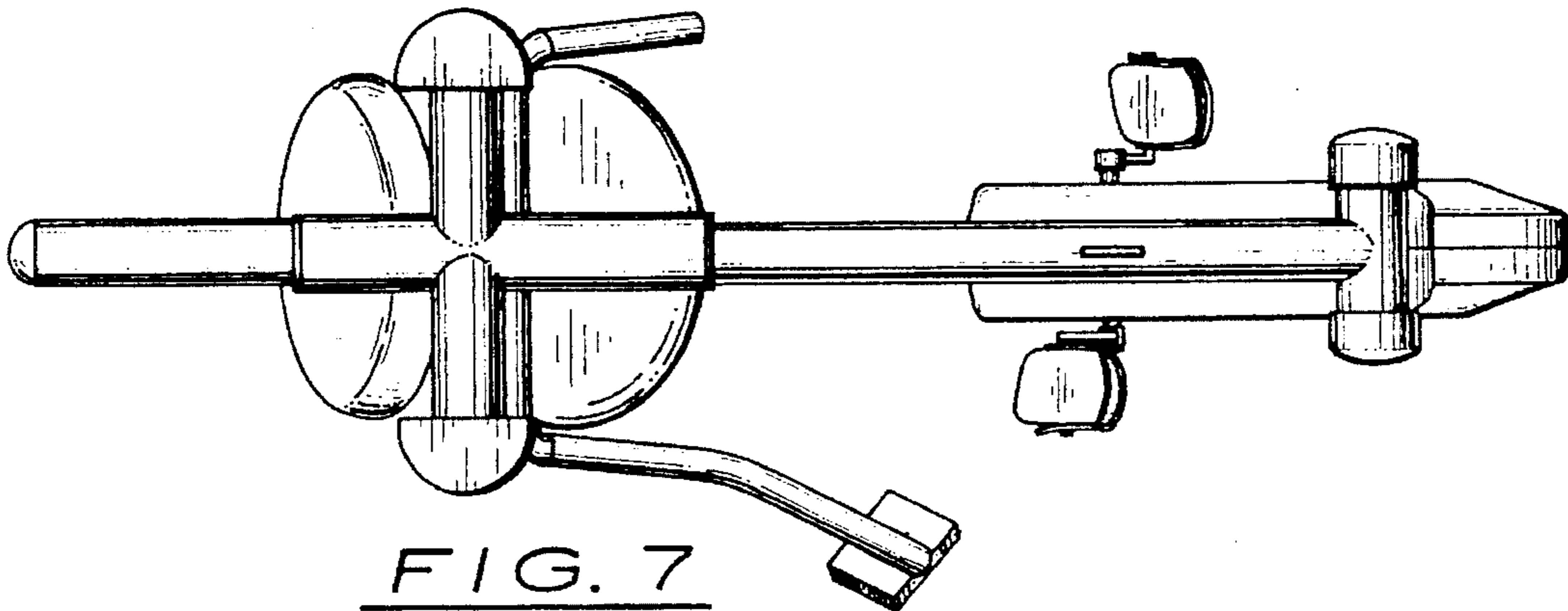


FIG. 7