



US00D362693S

# United States Patent [19]

[11] Patent Number: **Des. 362,693**

Carter et al.

[45] Date of Patent: **\*\*Sep. 26, 1995**

[54] **VIDEO GAME JOYSTICK CONTROLLER WITH FINGER ACTUATOR SWITCH**

[75] Inventors: **Robert L. Carter**, Vancouver, Wash.; **David W. Reeves**, Forest Grove; **Clarence A. Hoffman**, Beaverton, both of Oreg.; **Gary L. Moffett**, Vancouver, Wash.

[73] Assignee: **Thrustmaster, Inc.**, Tigard, Oreg.

[\*\*] Term: **14 Years**

[21] Appl. No.: **24,322**

[22] Filed: **Jun. 13, 1994**

### Related U.S. Application Data

[63] Continuation-in-part of Ser. No. 10,325, Jul. 1, 1993, Pat. No. Des. 351,625.

[52] **U.S. Cl.** ..... **D21/48**

[58] **Field of Search** ..... D21/48, 13, 1; 273/433-438, 148 B, DIG. 28; D13/162, 168, 173

[56] **References Cited**

#### U.S. PATENT DOCUMENTS

- D. 129,161 8/1941 Fischer ..... D13/168
- D. 271,220 11/1983 Fox et al. .
- D. 279,202 6/1985 Kim ..... D21/48
- D. 284,593 7/1986 Happ .

- D. 284,983 8/1986 Liu .
- D. 330,230 10/1992 Carter ..... D21/48
- D. 334,415 3/1993 Carter et al. .... D21/48
- D. 351,625 10/1994 Carter et al. .... D21/48
- 4,491,325 1/1985 Bersheim .
- 4,588,187 5/1986 Dell ..... 273/148 B X
- 4,658,666 4/1987 Liu ..... 273/148 B X

### OTHER PUBLICATIONS

Home Furnishing Daily Feb. 1988, p. 79.

*Primary Examiner*—Prabhakar G. Deshmukh  
*Attorney, Agent, or Firm*—Marger, Johnson, McCollom & Stolowitz

[57] **CLAIM**

The ornamental design for a video game joystick controller with finger actuator switch, as shown and described.

### DESCRIPTION

FIG. 1 is a perspective view of a video game joystick controller with finger actuator switch, showing our new design;

FIG. 2 is a left side elevational view thereof;

FIG. 3 is a right side elevational view;

FIG. 4 is a front elevational view thereof;

FIG. 5 is a rear elevational view thereof;

FIG. 6 is a top plan view thereof; and,

FIG. 7 is a bottom plan view thereof.

**1 Claim, 2 Drawing Sheets**

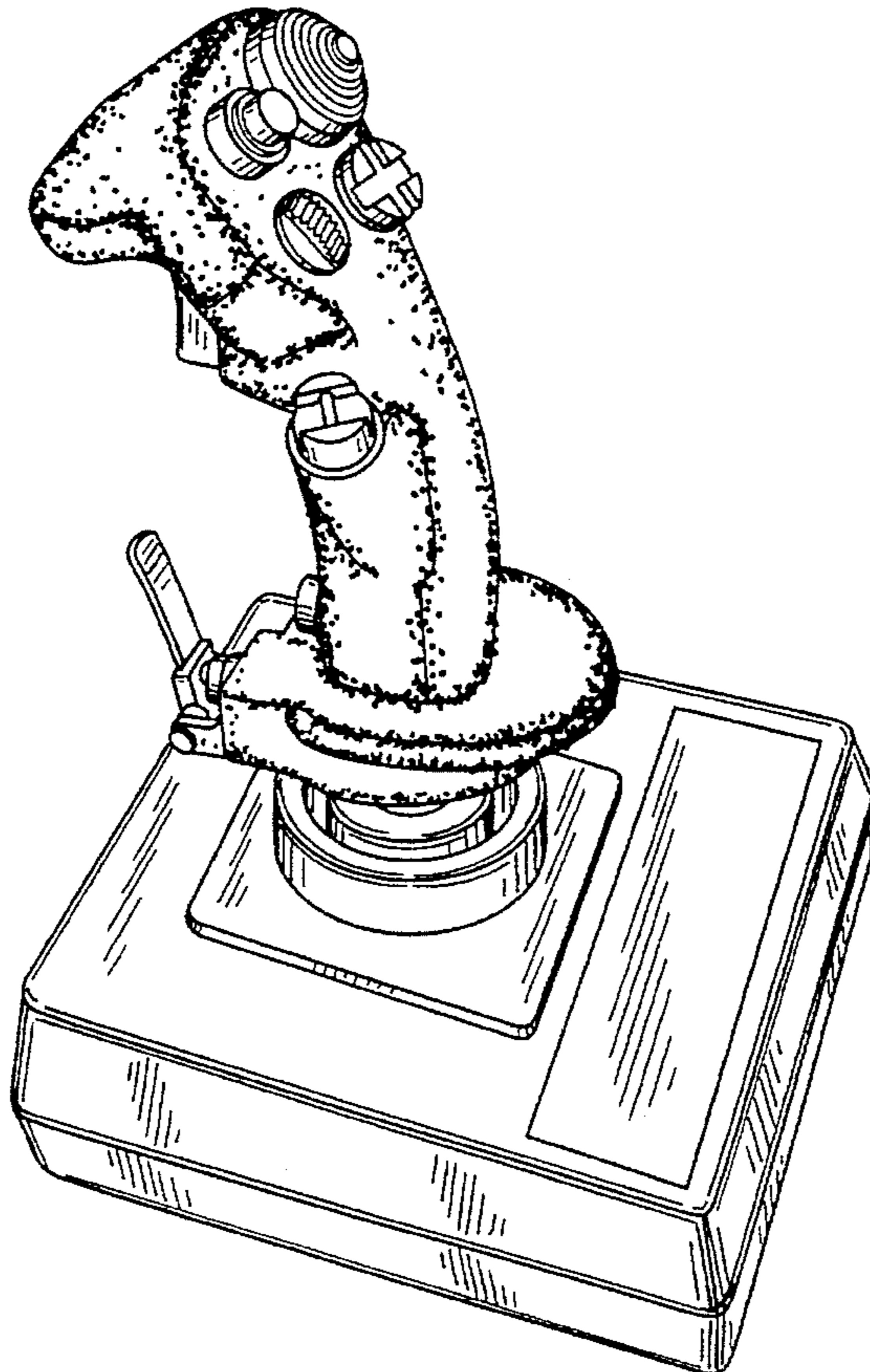


FIG. 1

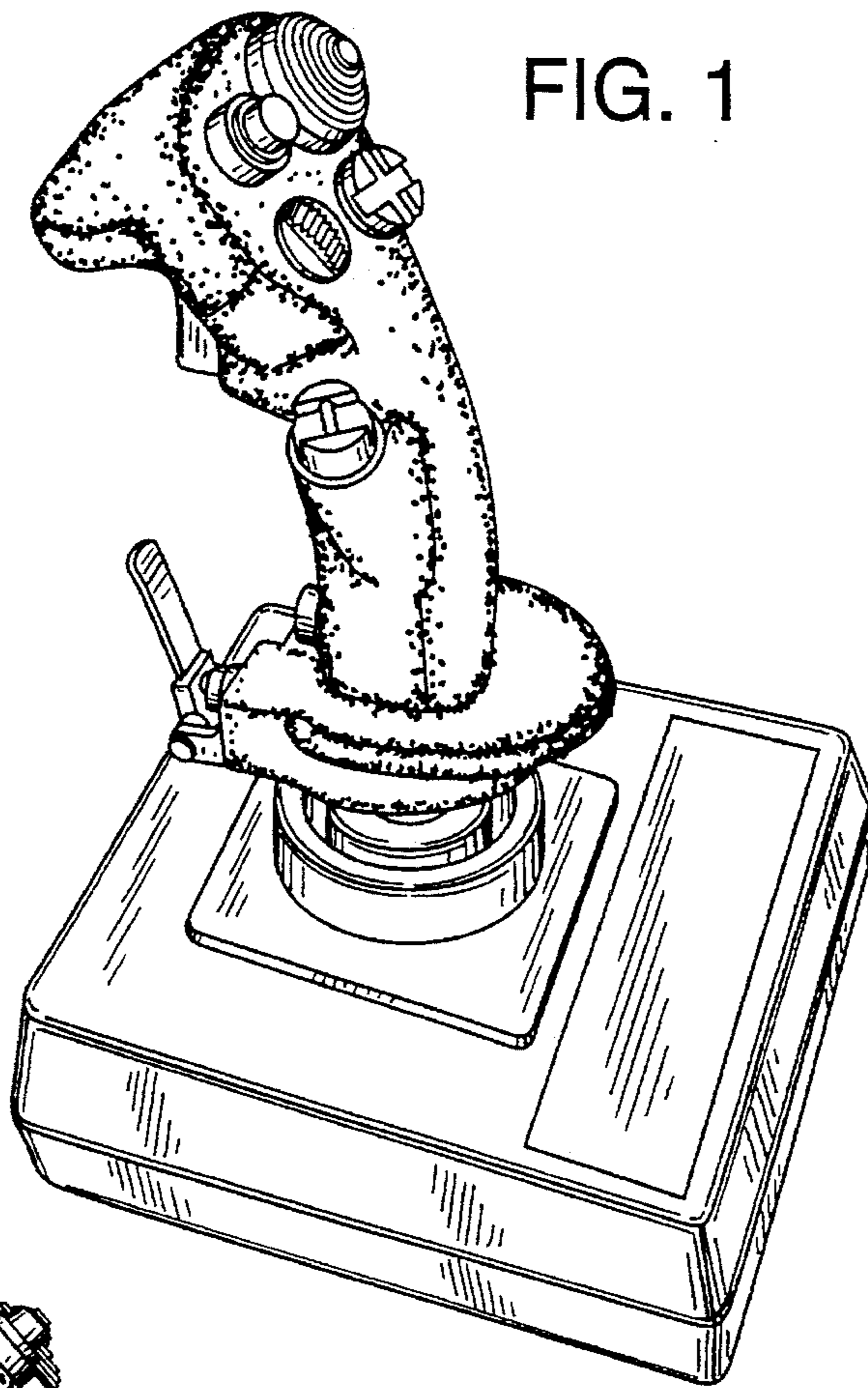


FIG. 3

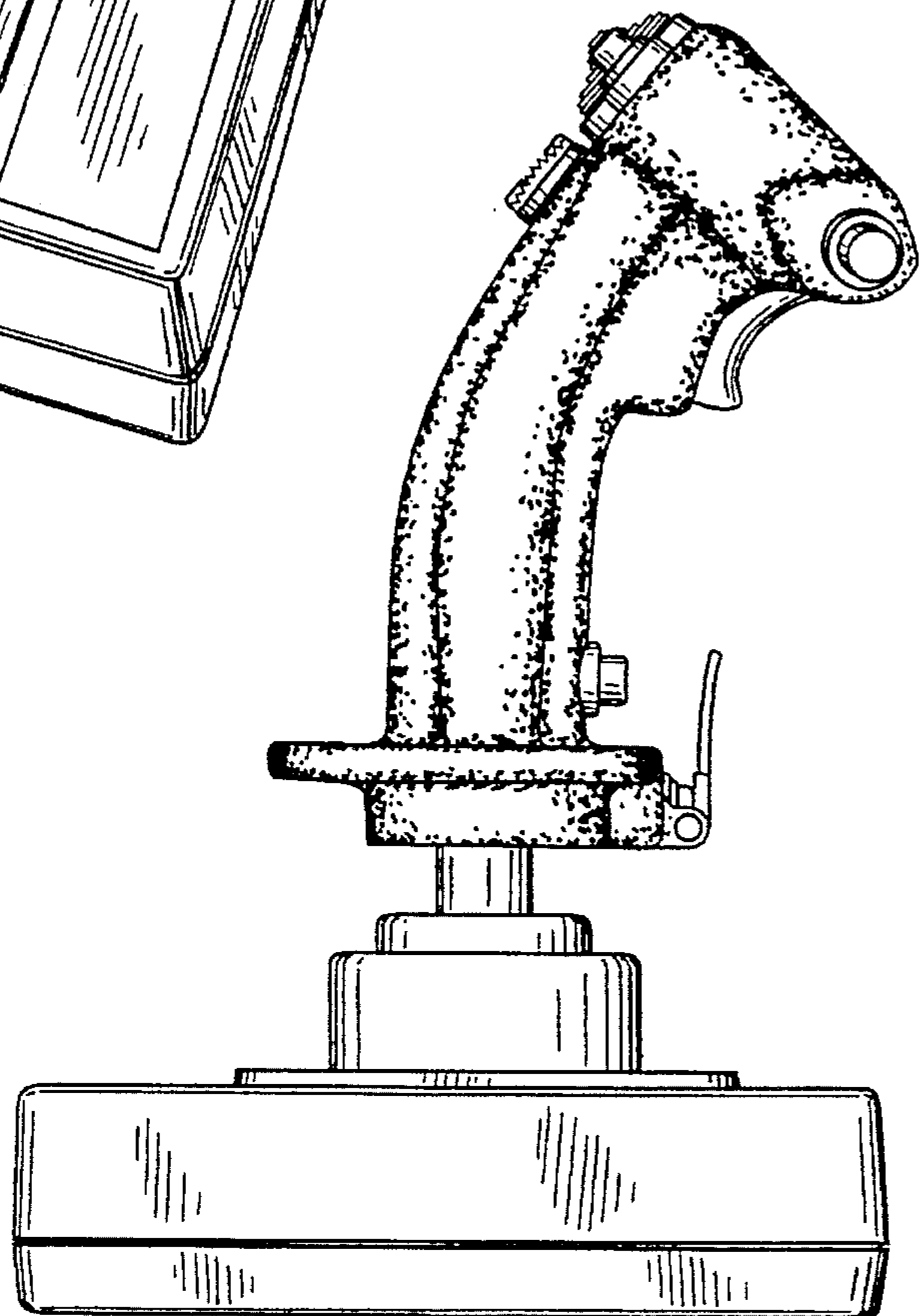


FIG. 2

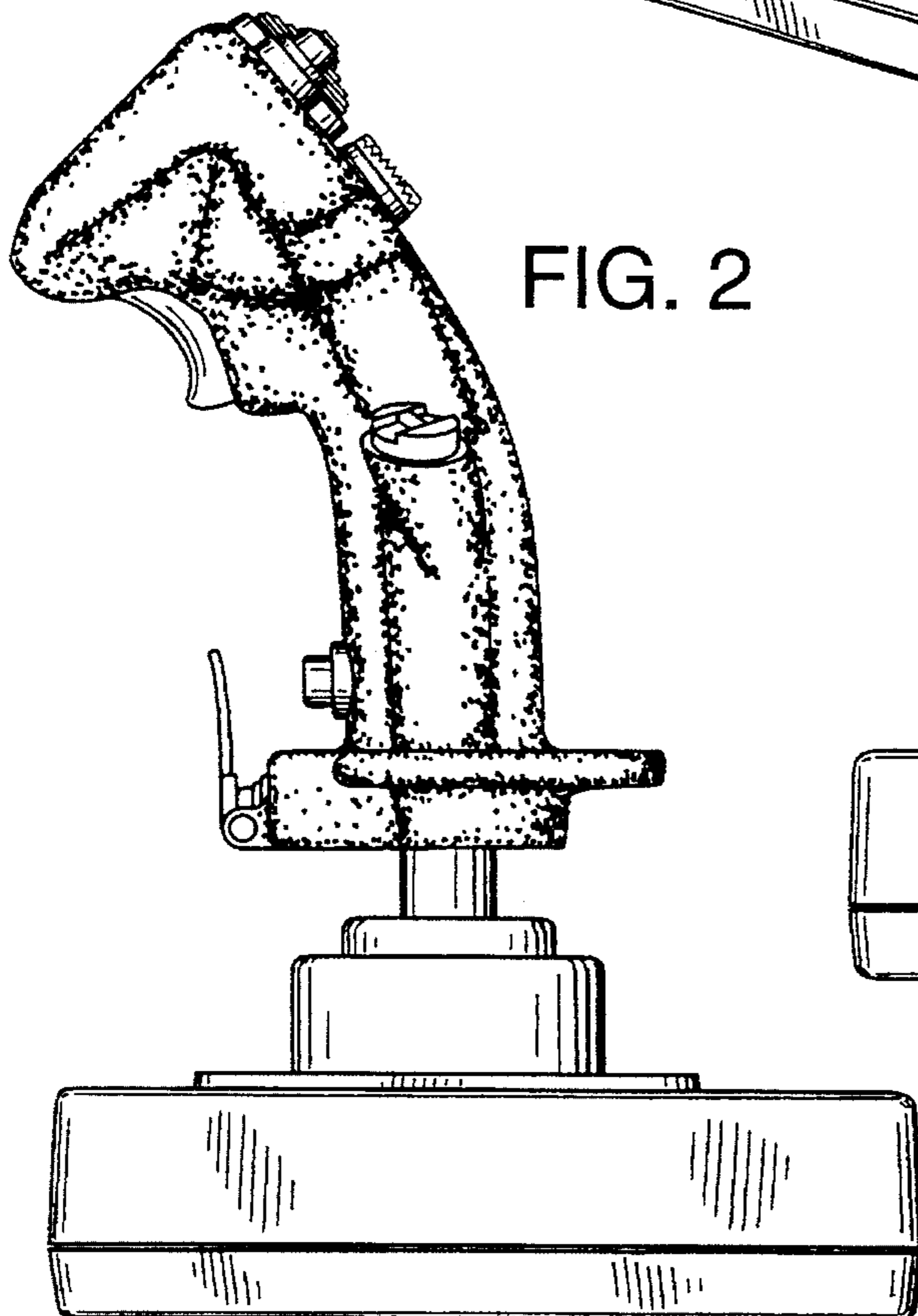


FIG. 4

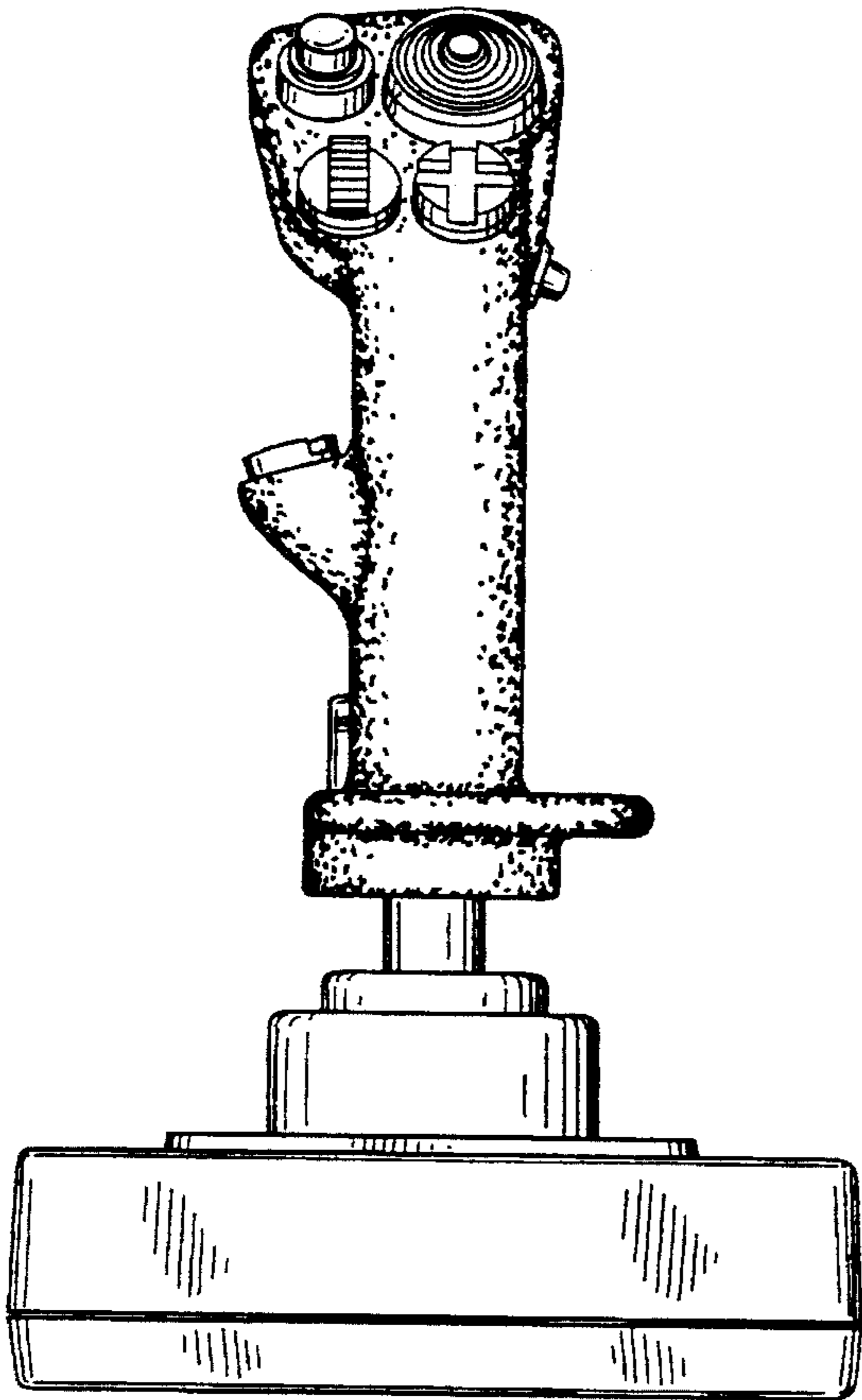


FIG. 5

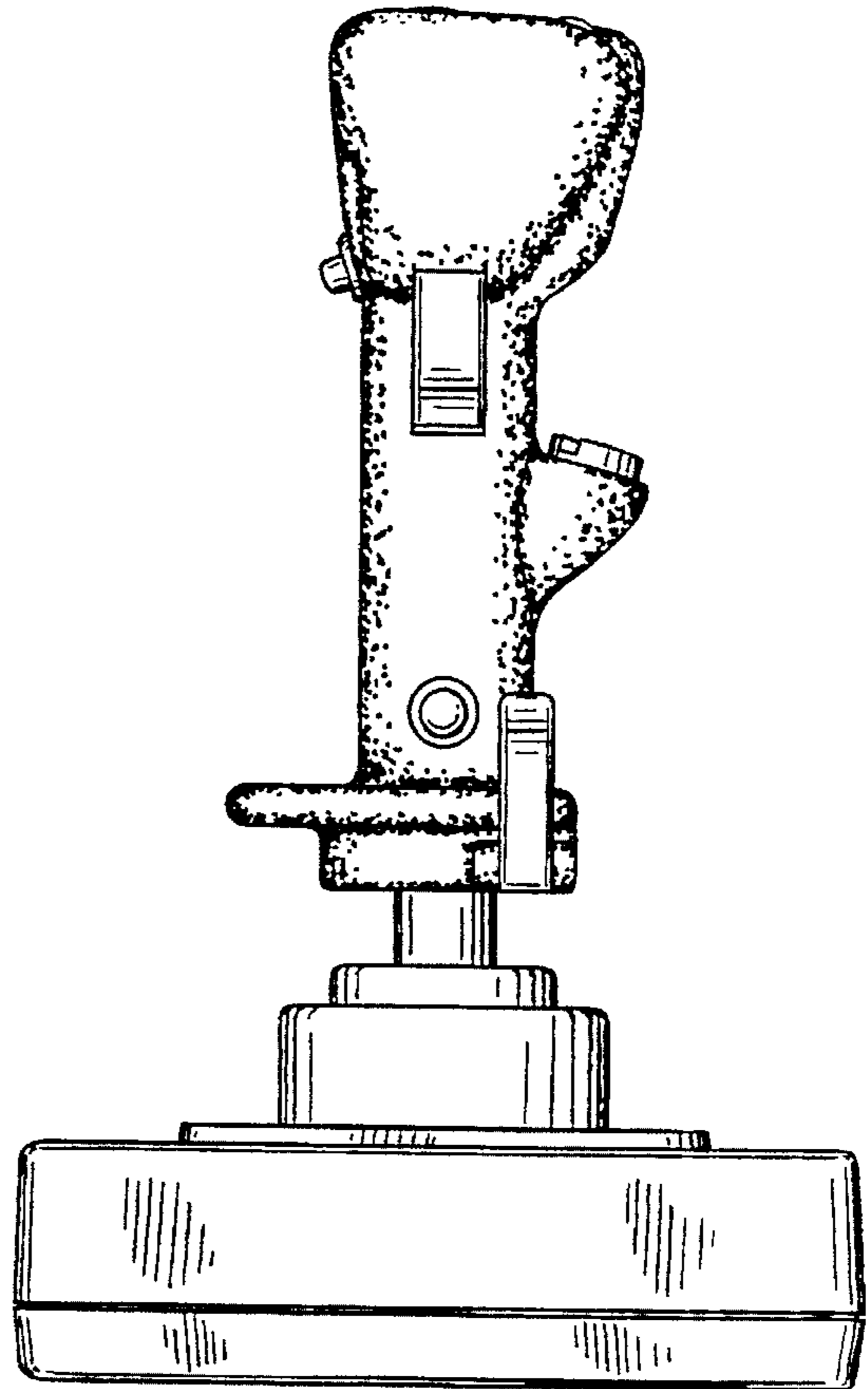


FIG. 6

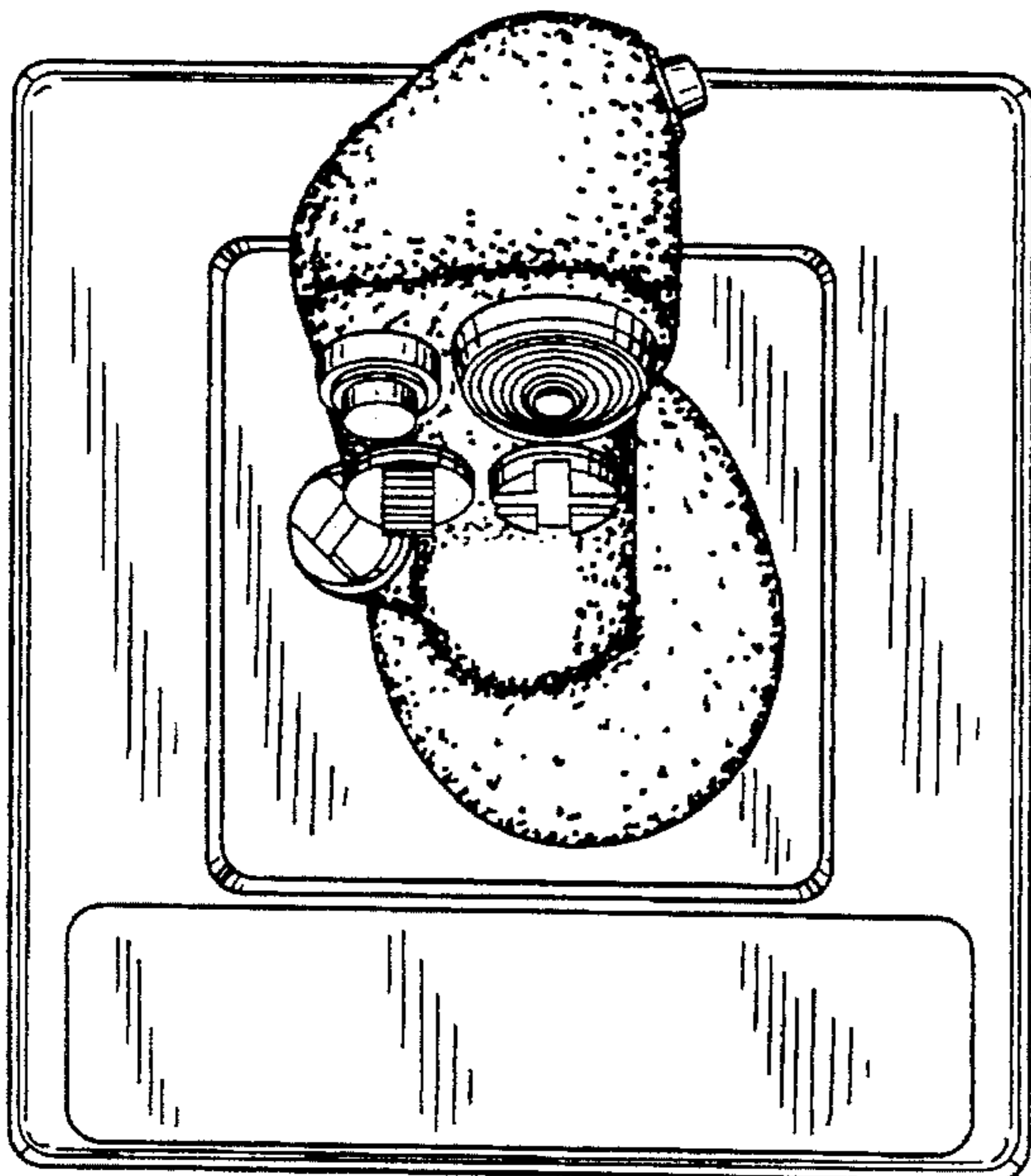


FIG. 7

