



US00D362688S

United States Patent [19]

[11] **Patent Number:** **Des. 362,688**

Wolff

[45] **Date of Patent:** ****Sep. 26, 1995**

[54] **PAD HOLDER**

[76] Inventor: **Stephen H. Wolff**, 35 W. 35th St., New York, N.Y. 10001

[**] Term: **14 Years**

[21] Appl. No.: **34,364**

[22] Filed: **Feb. 2, 1995**

[52] U.S. Cl. **D19/92**; D19/86; D19/95

[58] **Field of Search** D19/35, 36, 65, D19/75, 76, 78, 86, 92, 95, 99, 100; 206/214, 215, 225, 555; 211/10, 11, 13, 50, 126

[56] **References Cited**

U.S. PATENT DOCUMENTS

D. 335,505	5/1993	Chan	D19/92
D. 335,895	5/1993	Chan	D19/75
D. 336,753	6/1993	Chan	D19/90
D. 340,068	10/1993	Chan	D19/92 X
D. 348,904	7/1994	Linder	D19/92
D. 356,337	3/1995	Douglas	D19/78 X
4,534,475	8/1985	Mayo	211/126

Primary Examiner—Martie Thompson
Attorney, Agent, or Firm—Lerner, David, Littenberg, Krumholz & Mentlik

[57] **CLAIM**

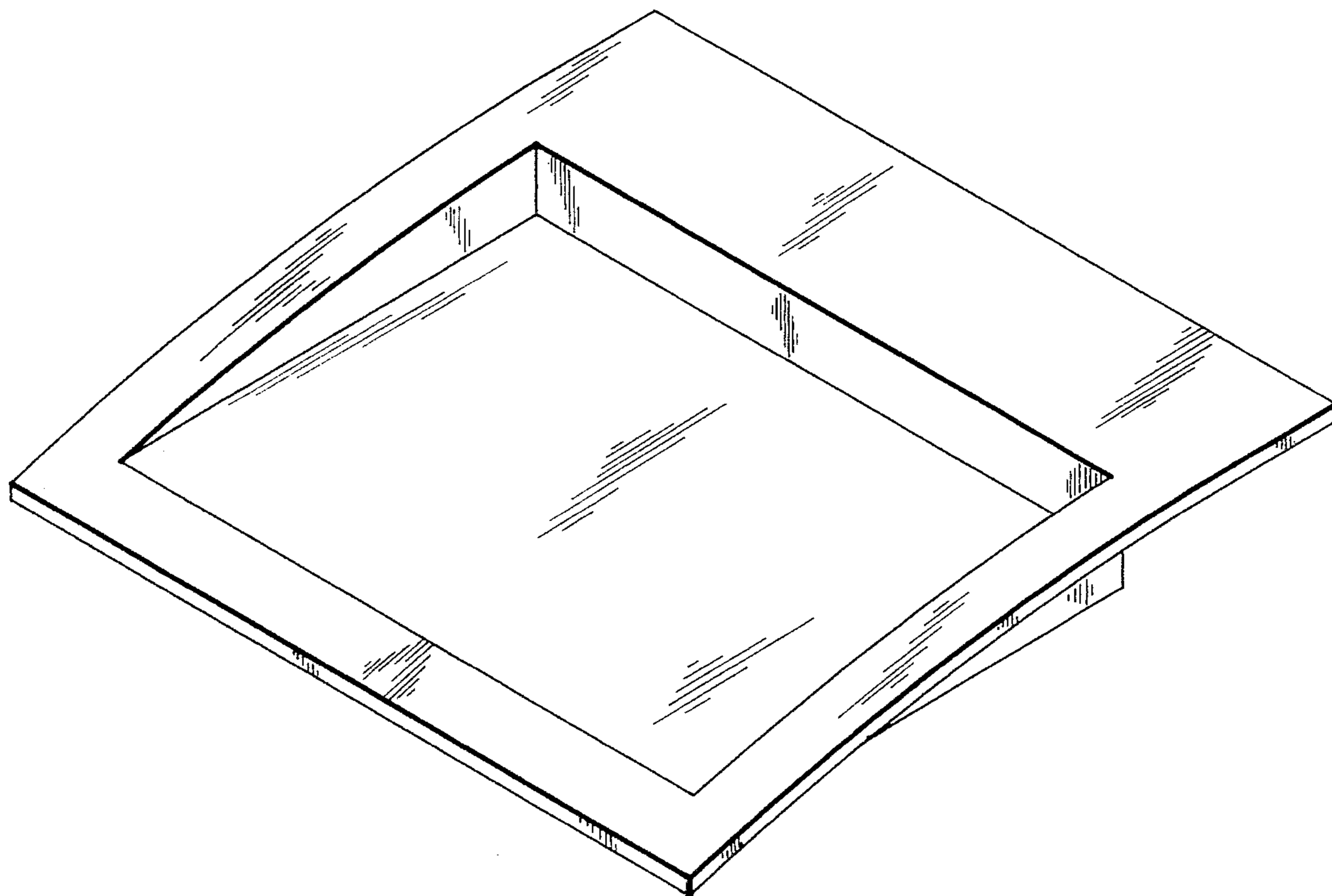
The ornamental design for a pad holder, as shown and described.

DESCRIPTION

FIG. 1 is a perspective view of my pad holder in accordance with my invention;
FIG. 2 is a top plan view thereof;
FIG. 3 is a front elevational view thereof;
FIG. 4 is a right side elevational view (the left side being the mirror image thereof);
FIG. 5 is a rear elevational view thereof; and,
FIG. 6 is a bottom plan view.

The foot pads depicted by means of broken lines in FIGS. 3 through 7 have been shown for illustrative purposes only and form no part of the claimed design.

1 Claim, 3 Drawing Sheets



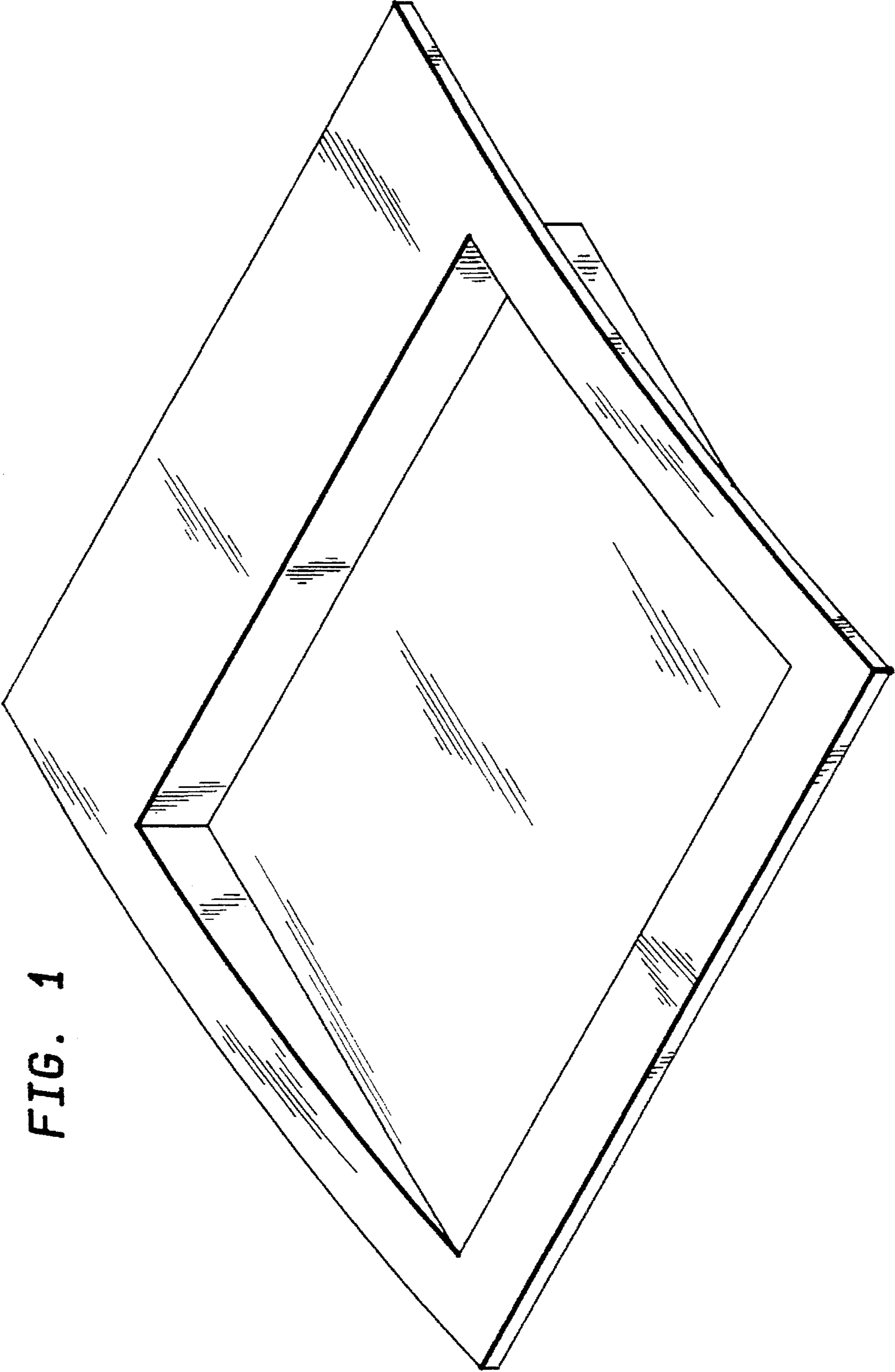


FIG. 1

FIG. 2

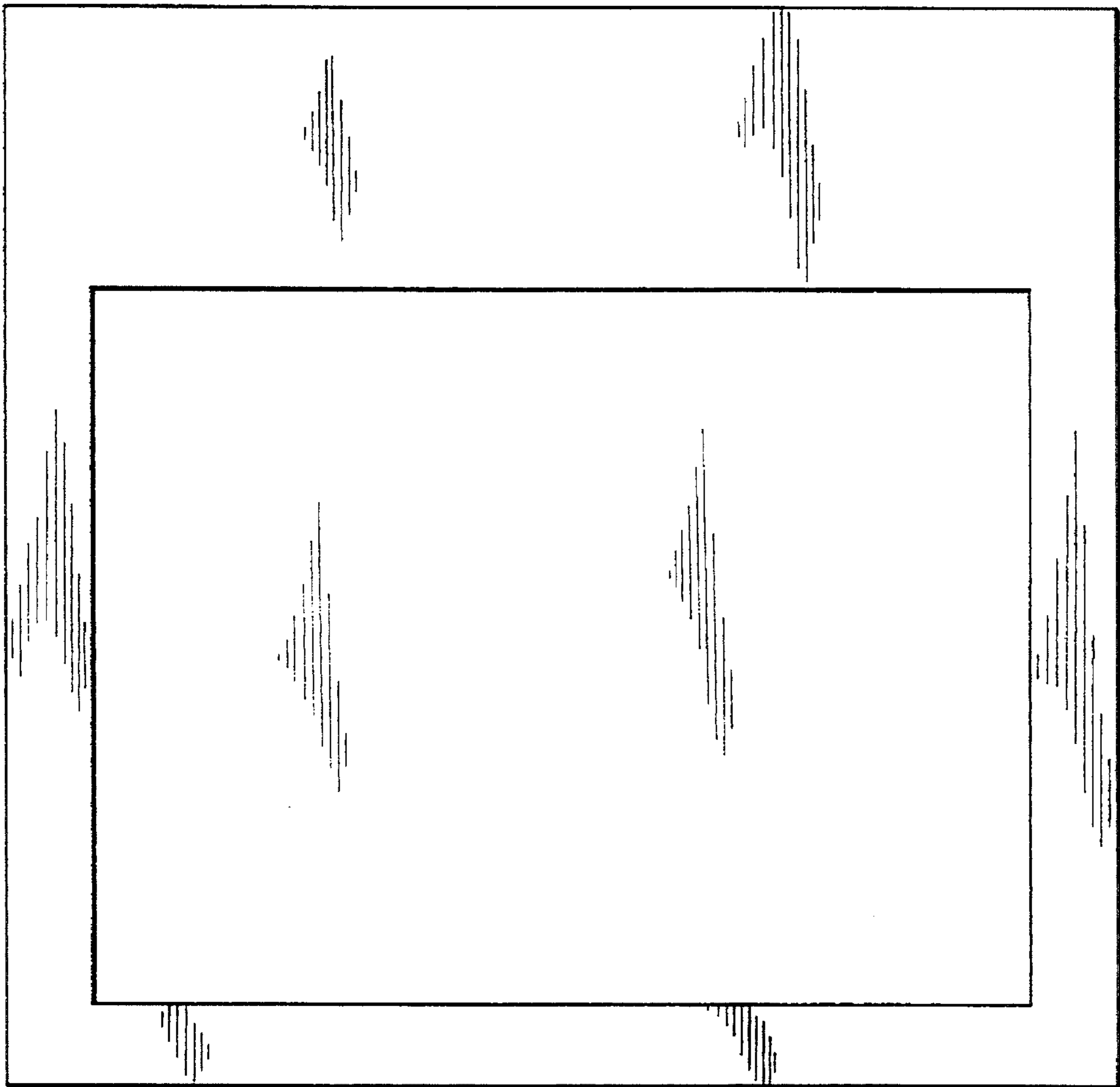


FIG. 3

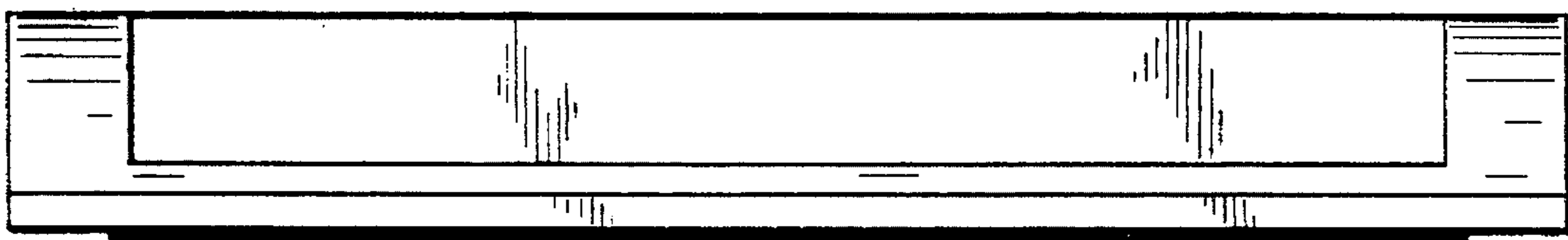


FIG. 4

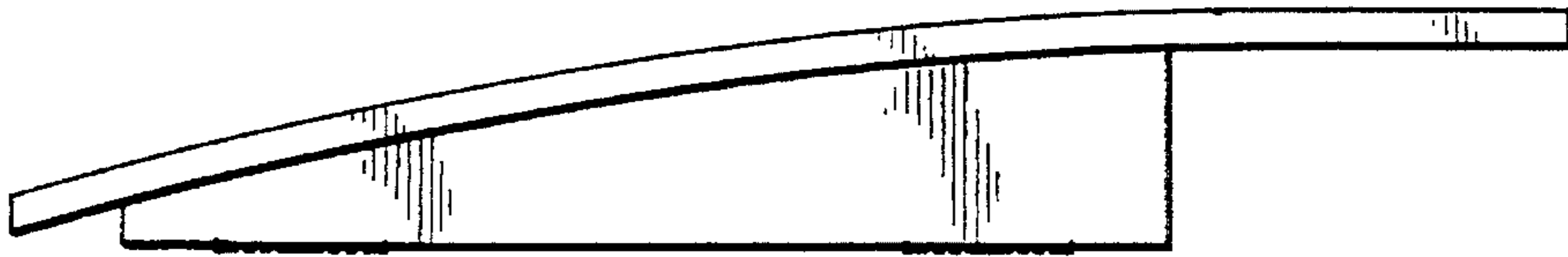


FIG. 5

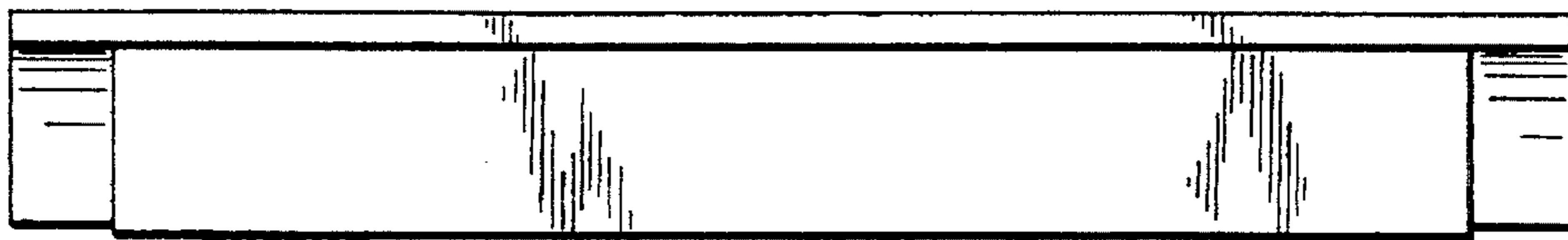


FIG. 6

