



US00D362687S

United States Patent [19]

[11] Patent Number: **Des. 362,687**

Kirchhoff et al.

[45] Date of Patent: ***** Sep. 26, 1995**

[54] **NOTE TRAY**

[75] Inventors: **Kenneth J. Kirchhoff**, Gem Lake;
Casey L. Carlson, Edina, both of
Minn.

[73] Assignee: **Minnesota Mining and
Manufacturing Company**, St. Paul,
Minn.

[*] Notice: The portion of the term of this patent
subsequent to May 30, 2009 has been
disclaimed.

[**] Term: **14 Years**

[21] Appl. No.: **10,293**

[22] Filed: **Jun. 30, 1993**

[52] U.S. Cl. **D19/92**; D19/86; D19/95

[58] **Field of Search** D6/466; D19/65,
D19/75, 76, 77, 78, 86, 90, 91, 92, 95,
99, 100; 206/214, 215, 554, 555; 211/10,
11, 13, 50, 55, 126

[56] **References Cited**

U.S. PATENT DOCUMENTS

D. 140,242	2/1945	Wemyss	D6/466
D. 270,739	9/1983	Pearson	D19/78
D. 287,862	1/1987	Hauser et al.	D19/78
D. 305,246	12/1989	Kirchhoff et al.	D19/75
D. 317,017	5/1991	Kheng	D19/78
D. 322,990	1/1992	Samuelson	D19/78
D. 328,099	7/1992	Williams	D19/78 X
D. 342,758	12/1993	Kirchhoff	D19/75
D. 342,759	12/1993	Kirchhoff	D19/86
D. 342,760	12/1993	Kirchhoff	D19/90
4,696,399	9/1987	Windorski	206/565

Primary Examiner—Martie Thompson
Attorney, Agent, or Firm—Gary L. Griswold; Walter N.
Kim; William L. Huebsch

[57] **CLAIM**

The ornamental design for a note tray, as shown and
described.

DESCRIPTION

FIG. 1 is a top, left front isometric view of a first embodi-
ment of a note tray showing our new design;

FIG. 2 is a front elevational view of the embodiment shown
in FIG. 1;

FIG. 3 is a rear elevational view of the embodiment shown
in FIG. 1;

FIG. 4 is a top plan view of the embodiment shown in FIG.
1;

FIG. 5 is a bottom plan view of the embodiment shown in
FIG. 1;

FIG. 6 is a left side elevational view of the embodiment
shown in FIG. 1, the right side elevational view being the
mirror image thereof;

FIG. 7 is a top, left front isometric view of a second
embodiment of a note tray showing our new design;

FIG. 8 is a front elevational view of the embodiment shown
in FIG. 7;

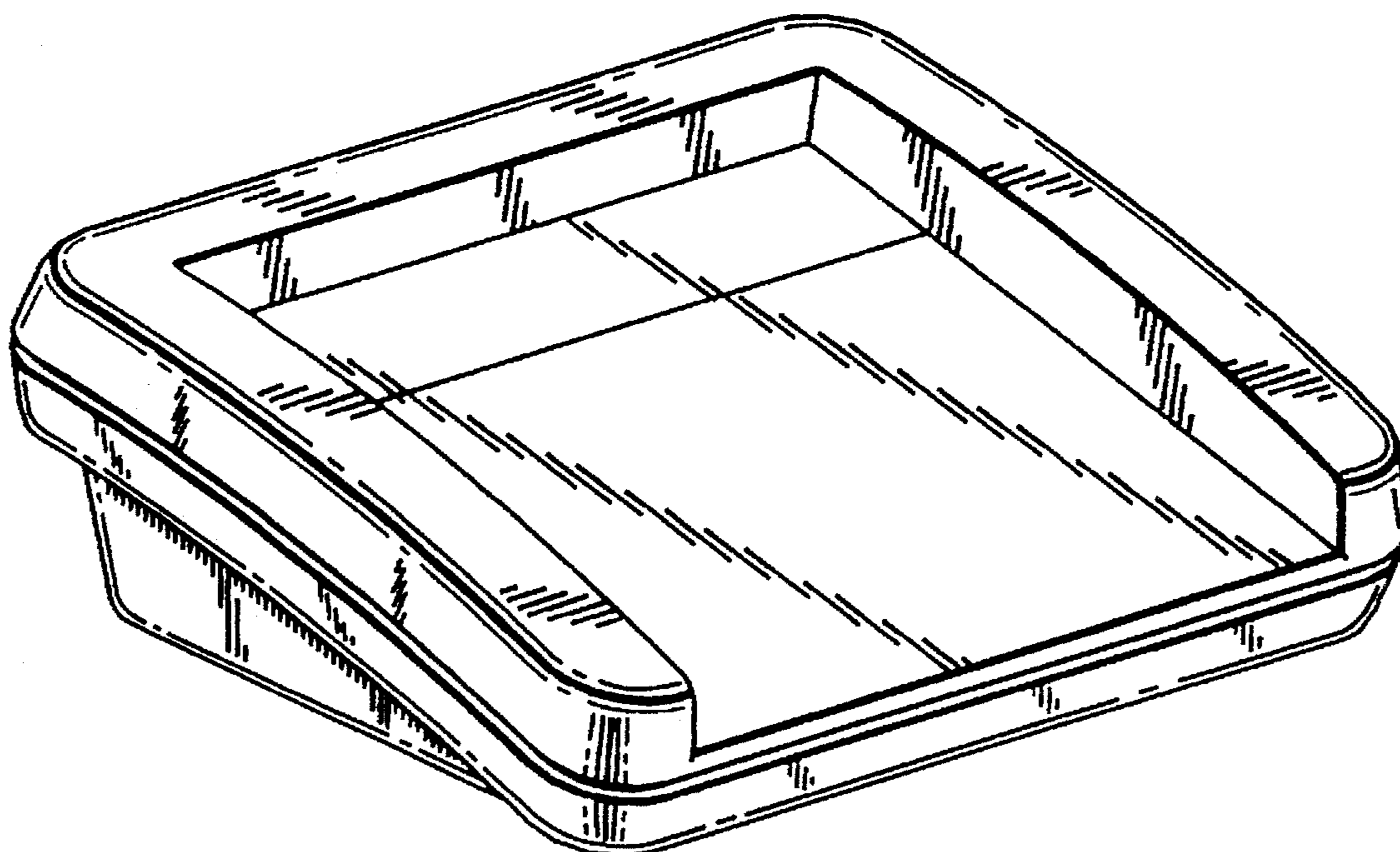
FIG. 9 is a rear elevational view of the embodiment shown
in FIG. 7;

FIG. 10 is a top plan view of the embodiment shown in FIG.
7;

FIG. 11 is a bottom plan view of the embodiment shown in
FIG. 7; and,

FIG. 12 is a left side elevational view of the embodiment
shown in FIG. 7, the right side elevational view being the
mirror image thereof.

1 Claim, 4 Drawing Sheets



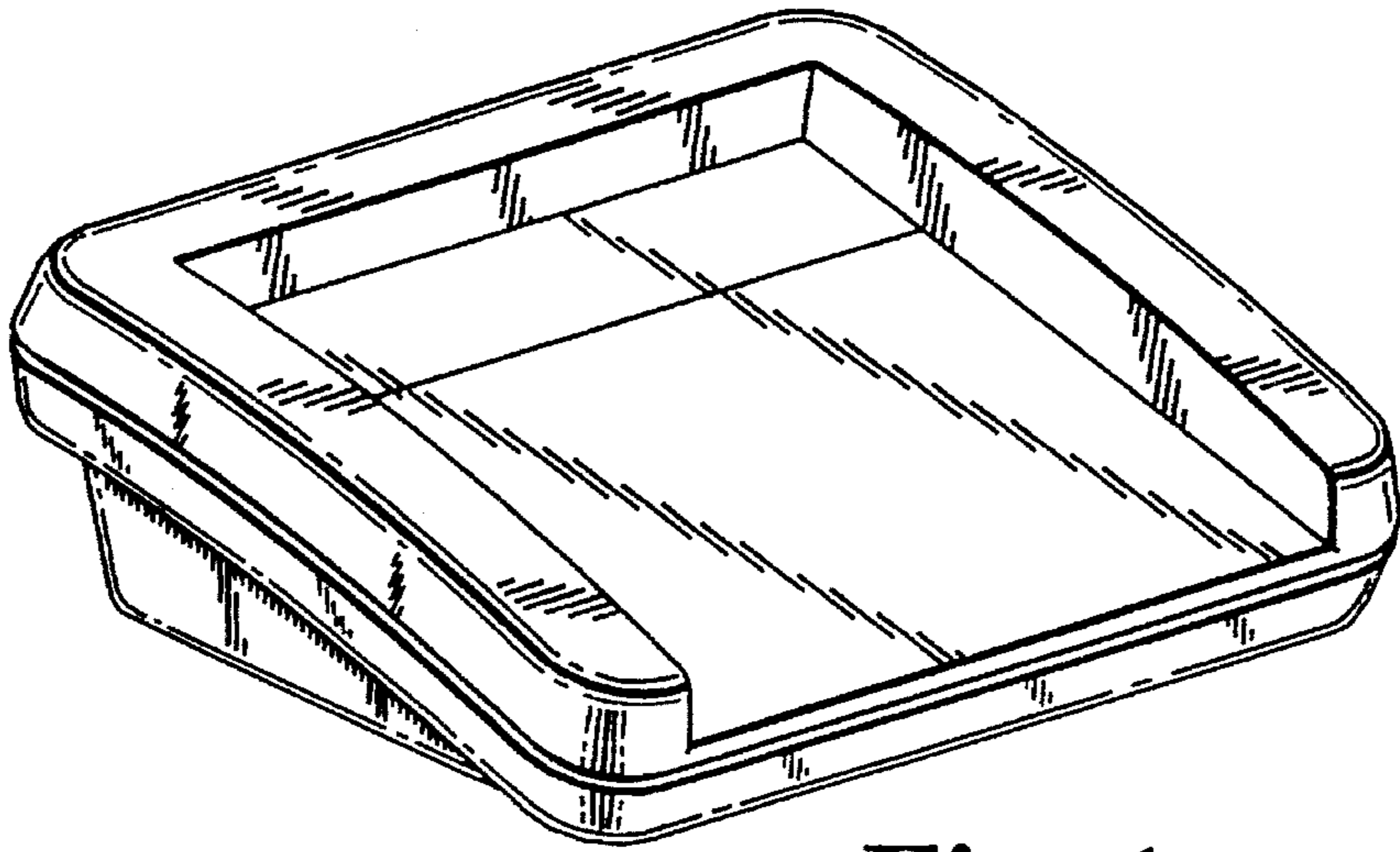


Fig. 1

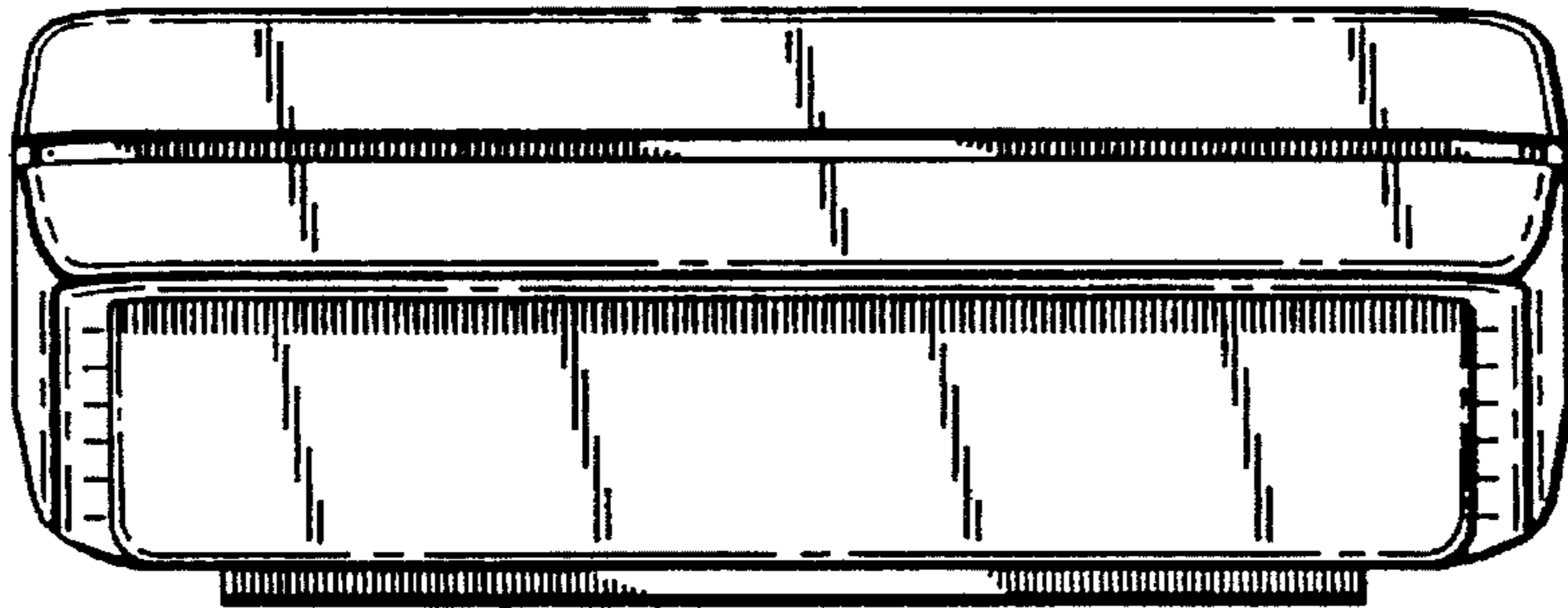


Fig. 2



Fig. 3

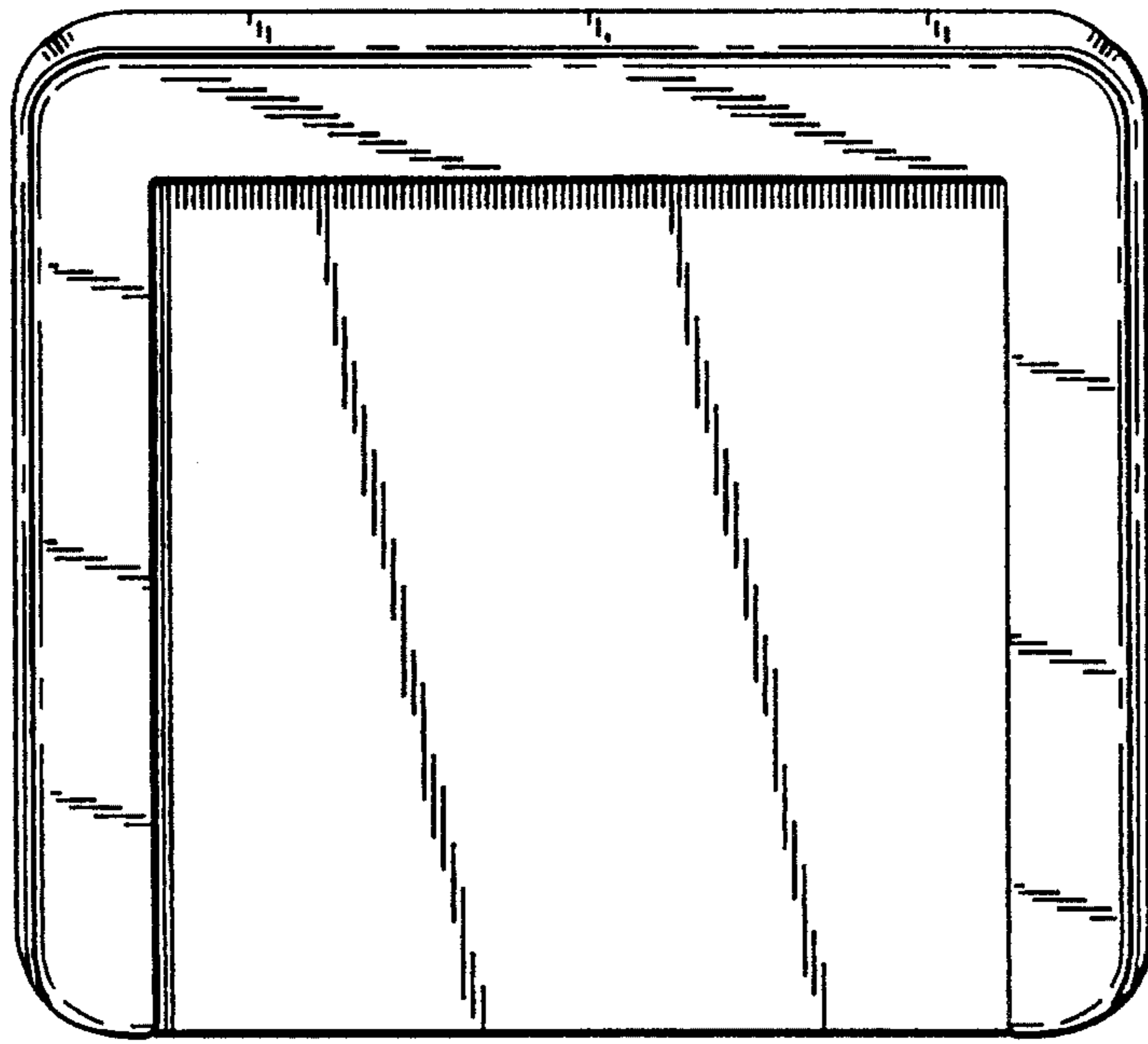


Fig. 4

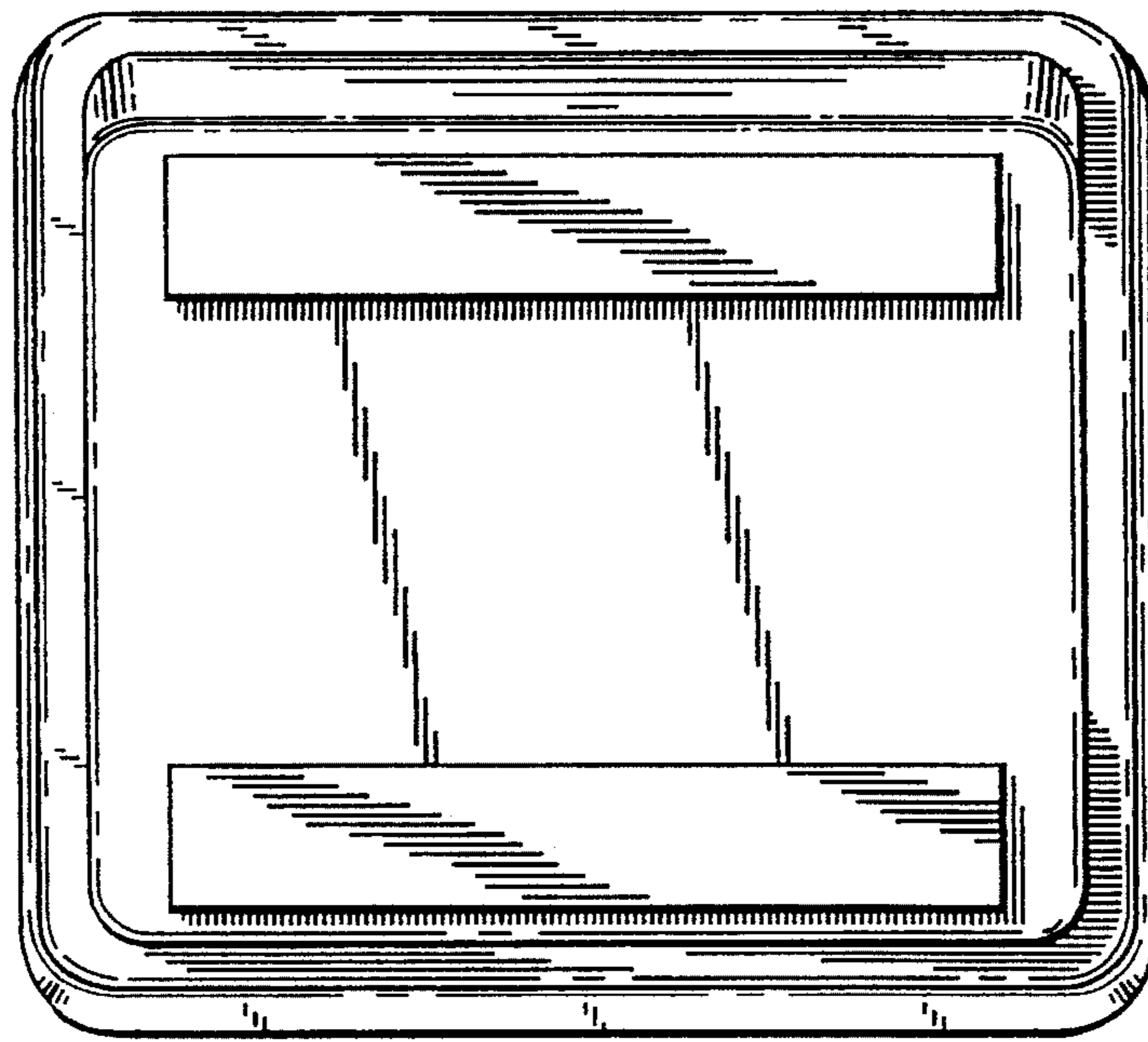


Fig. 5

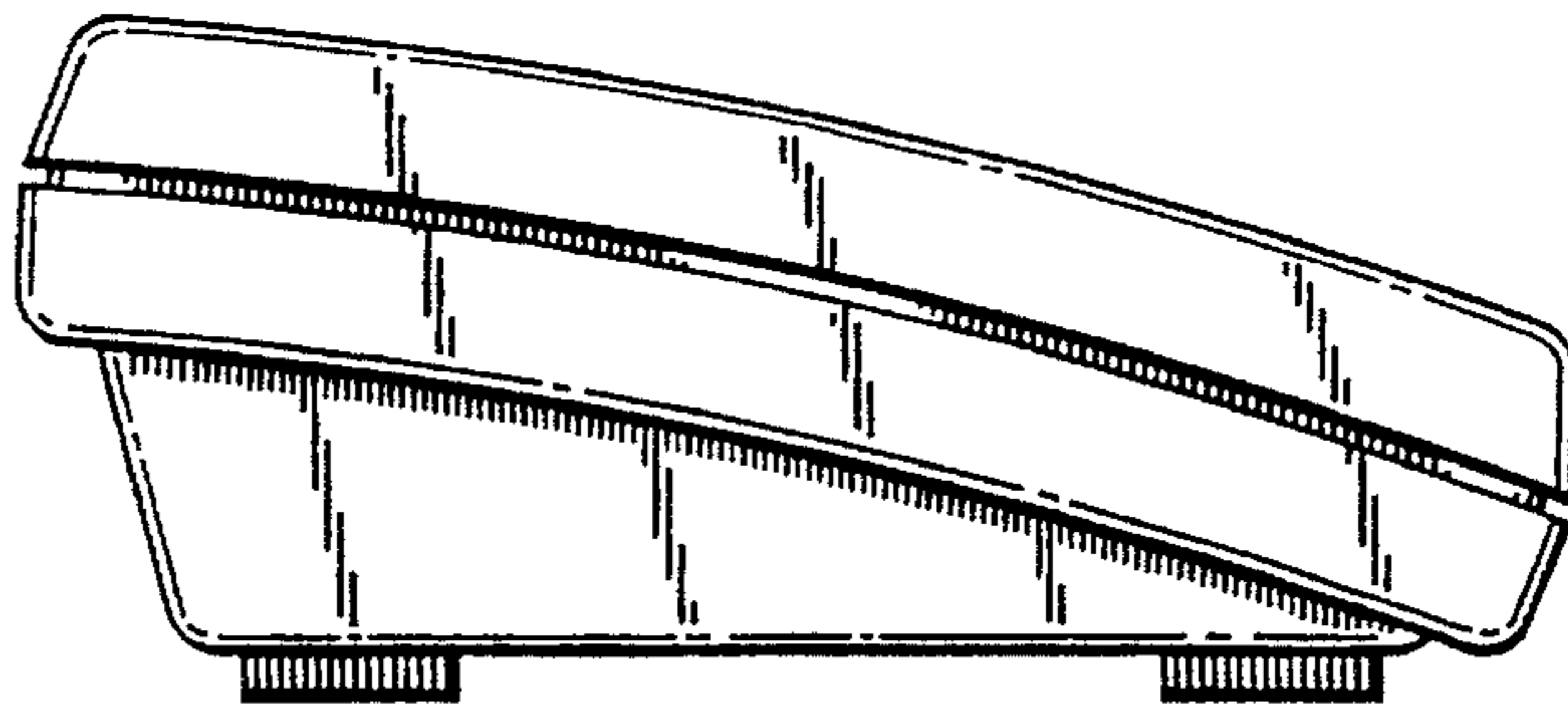


Fig. 6

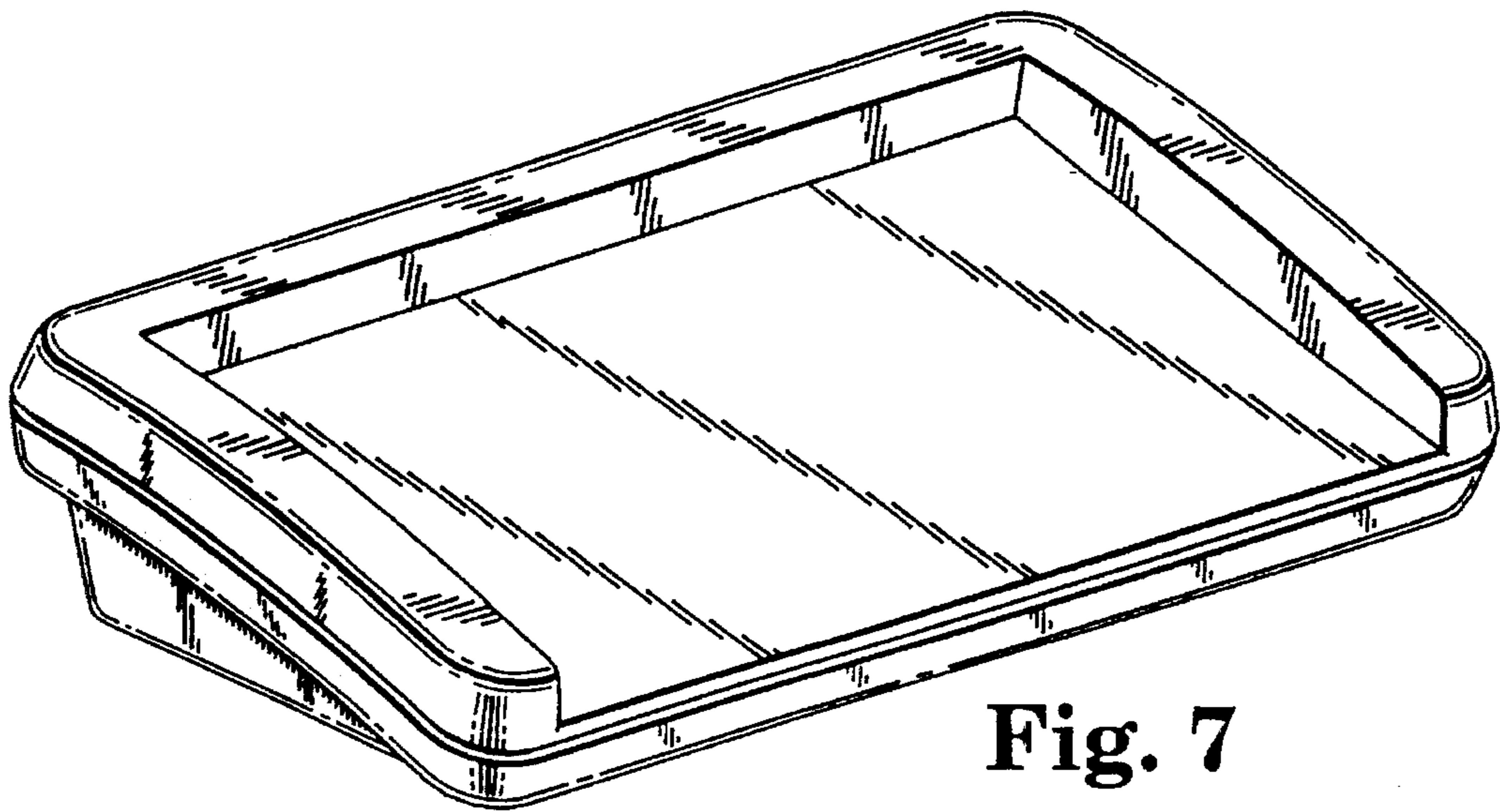


Fig. 7

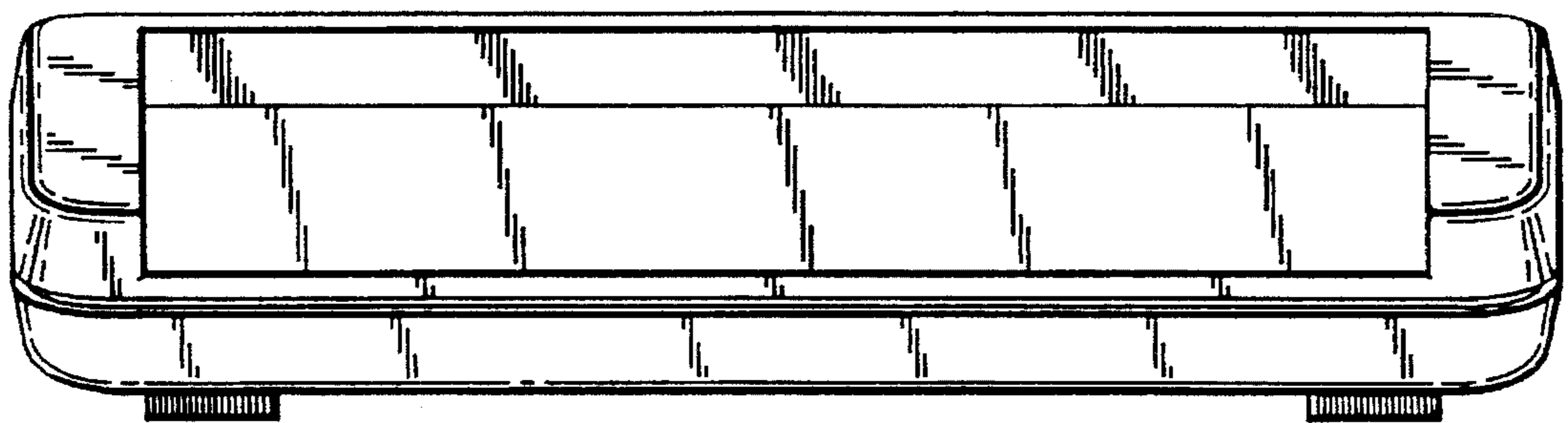


Fig. 8

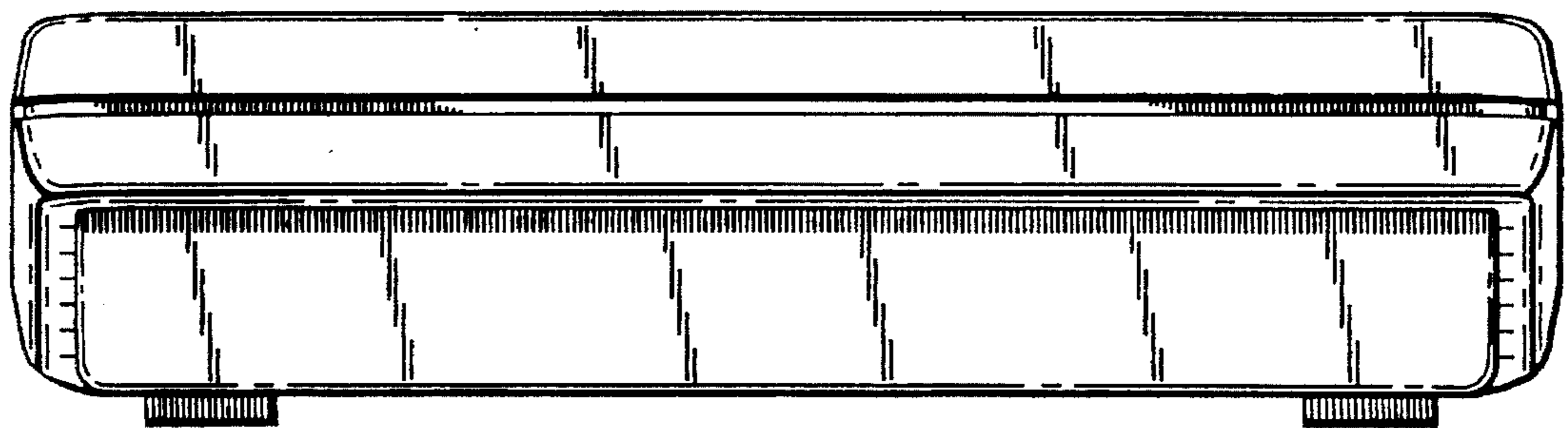


Fig. 9

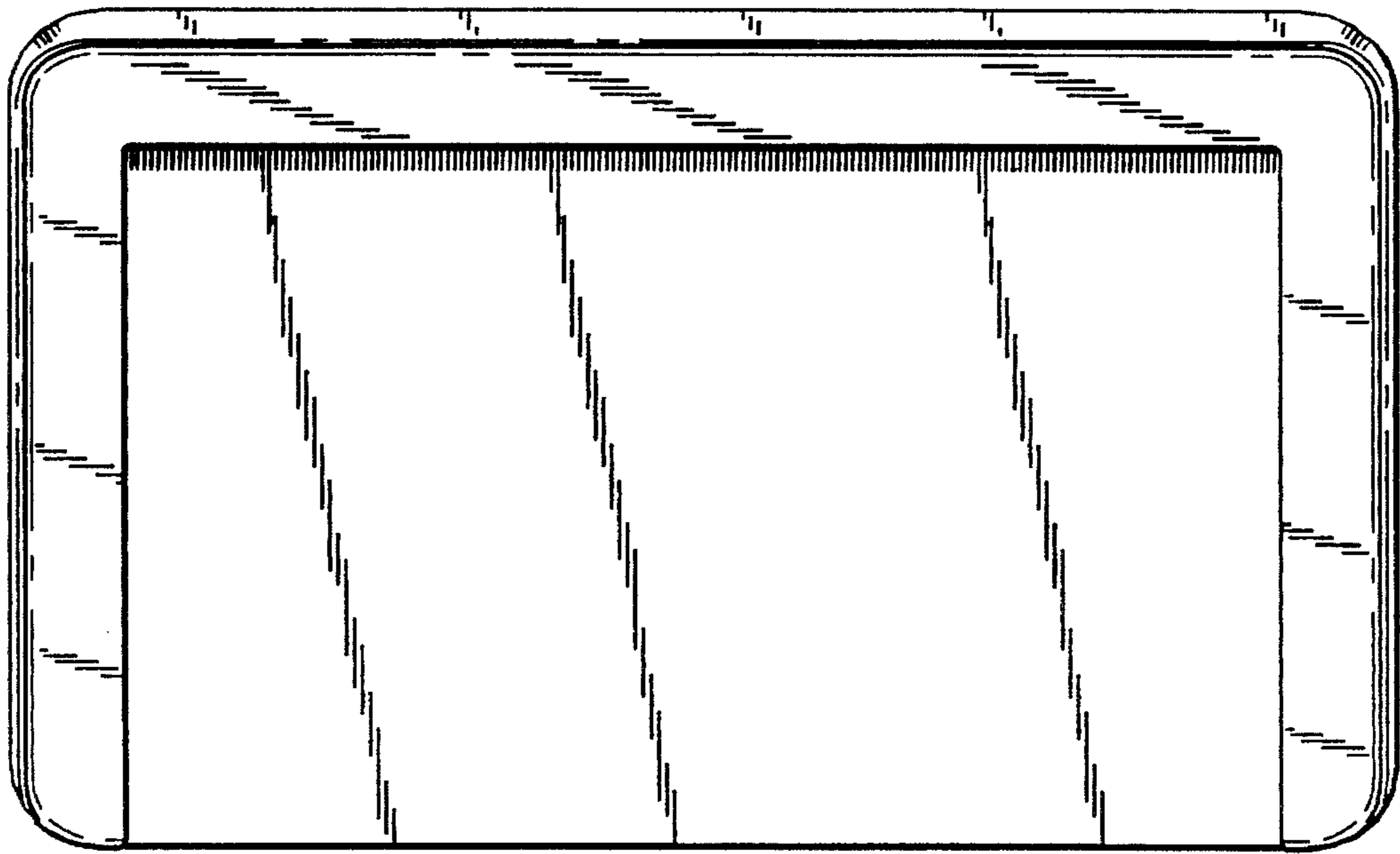


Fig. 10

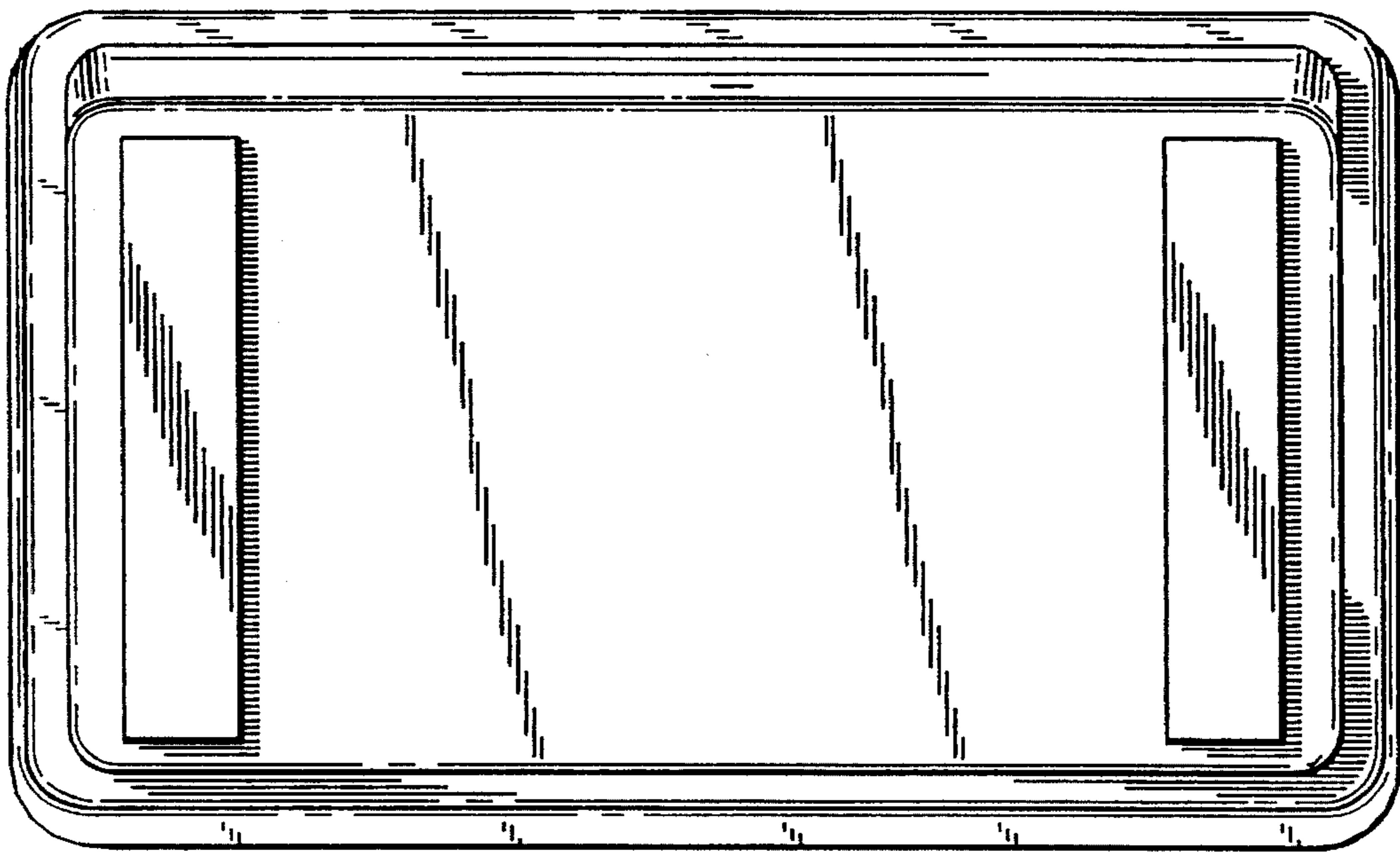


Fig. 11

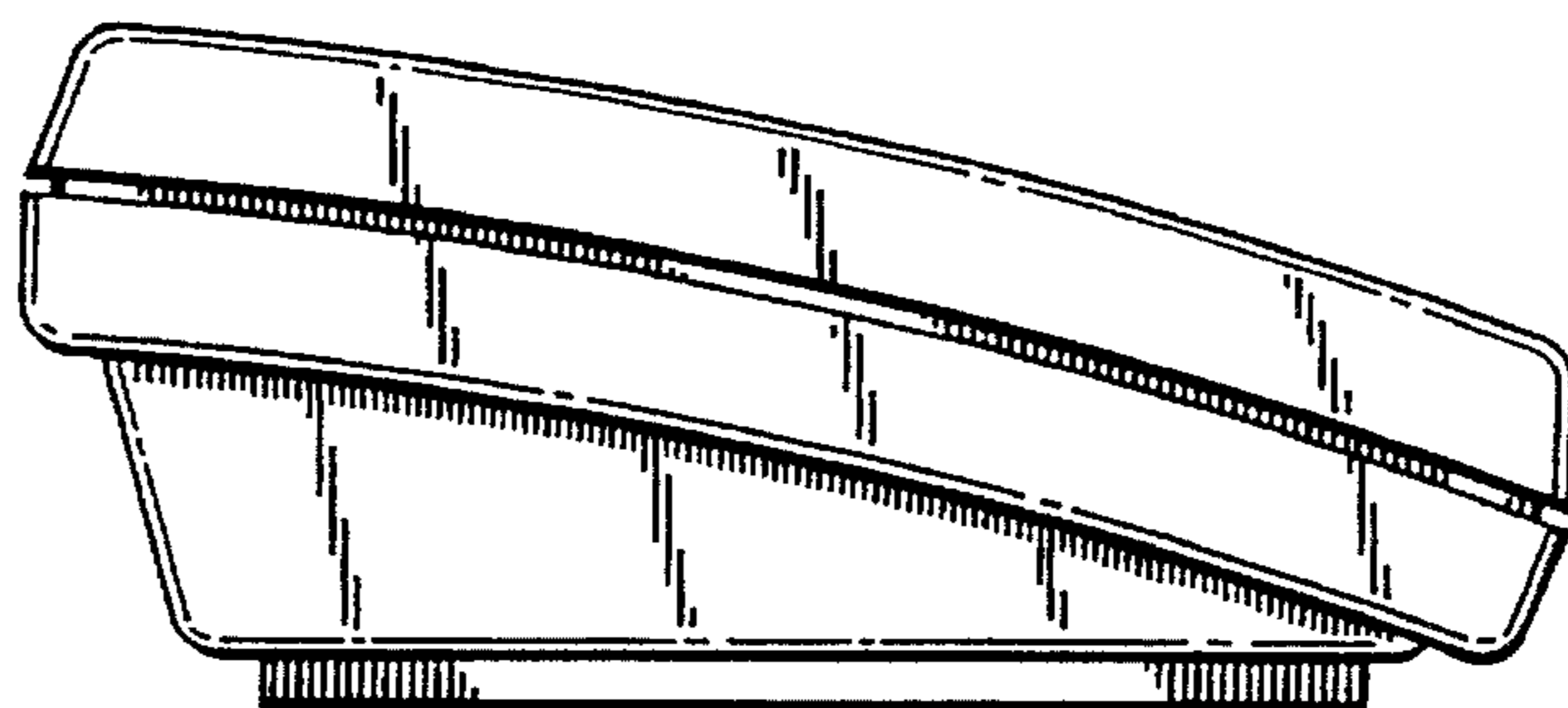


Fig. 12