



US00D362684S

# United States Patent [19]

[11] Patent Number: **Des. 362,684**

Samuelson et al.

[45] Date of Patent: **\*\*Sep. 26, 1995**

[54] **TAPE DISPENSER**

[75] Inventors: **Bruce E. Samuelson**, Stillwater; **Gary A. Albrecht**, Mahtomedi; **Casey L. Carlson**, Edina; **David J. Therriault**, Stillwater, all of Minn.

[73] Assignee: **Minnesota Mining and Manufacturing Company**, St. Paul, Minn.

[\*\*] Term: **14 Years**

[21] Appl. No.: **28,741**

[22] Filed: **Sep. 21, 1994**

[52] U.S. Cl. .... **D19/69; D19/67**

[58] Field of Search ..... **D19/35, 36, 65, D19/67, 68, 69, 95, 99, 100; 225/6, 7, 19, 24, 34, 35, 45, 56, 57, 65, 77, 89; 242/55.3; 156/510, 523, 527, 584**

[56] **References Cited**

**U.S. PATENT DOCUMENTS**

D. 177,870	5/1956	Loeb	.....	D19/69
D. 179,091	10/1956	Pangburn	.....	D19/69
D. 197,157	12/1963	Casey	.....	D19/69
D. 239,620	4/1976	Fritzinger	.....	D19/69
D. 245,914	9/1977	Fritzinger	.....	D19/69
D. 259,643	6/1981	Pearson	.....	D19/69
2,685,416	8/1954	Smith	.....	D19/69 X
3,149,764	9/1964	Waltz	.....	225/57
3,968,915	7/1976	Schleicher	.....	225/65
4,627,560	12/1986	Samuelson	.....	225/66
4,961,525	10/1990	Corbo et al.	.....	225/65

**OTHER PUBLICATIONS**

Page for "Instructions and parts list" for Scotch™ Brand H-122 Dispenser.

Jacobs Gardner Office Products ©1990, see p. 808, circled dispenser—upper left.

Jacobs Gardner Office Products ©1990, see p. 809, circled dispenser—upper left.

*Primary Examiner*—Martie Thompson  
*Attorney, Agent, or Firm*—Gary L. Griswold; Walter N. Kirn; William L. Huebsch

[57] **CLAIM**

The ornamental design for a tape dispenser, as shown and described.

**DESCRIPTION**

FIG. 1 is a top, left, front isometric view of a first embodiment of a tape dispenser showing our new design;

FIG. 2 is a left side elevational view of the tape dispenser illustrated in FIG. 1, the right side elevational view being the mirror image thereof;

FIG. 3 is a top plan view of the tape dispenser illustrated in FIG. 1;

FIG. 4 is a bottom plan view of the tape dispenser illustrated in FIG. 1;

FIG. 5 is a front elevational view of the tape dispenser illustrated in FIG. 1;

FIG. 6 is a rear elevational view of the tape dispenser illustrated in FIG. 1;

FIG. 7 is a top, left, front isometric view of a second embodiment of a tape dispenser showing our new design;

FIG. 8 is a left side elevational view of the tape dispenser illustrated in FIG. 7, the right side elevational view being the mirror image thereof;

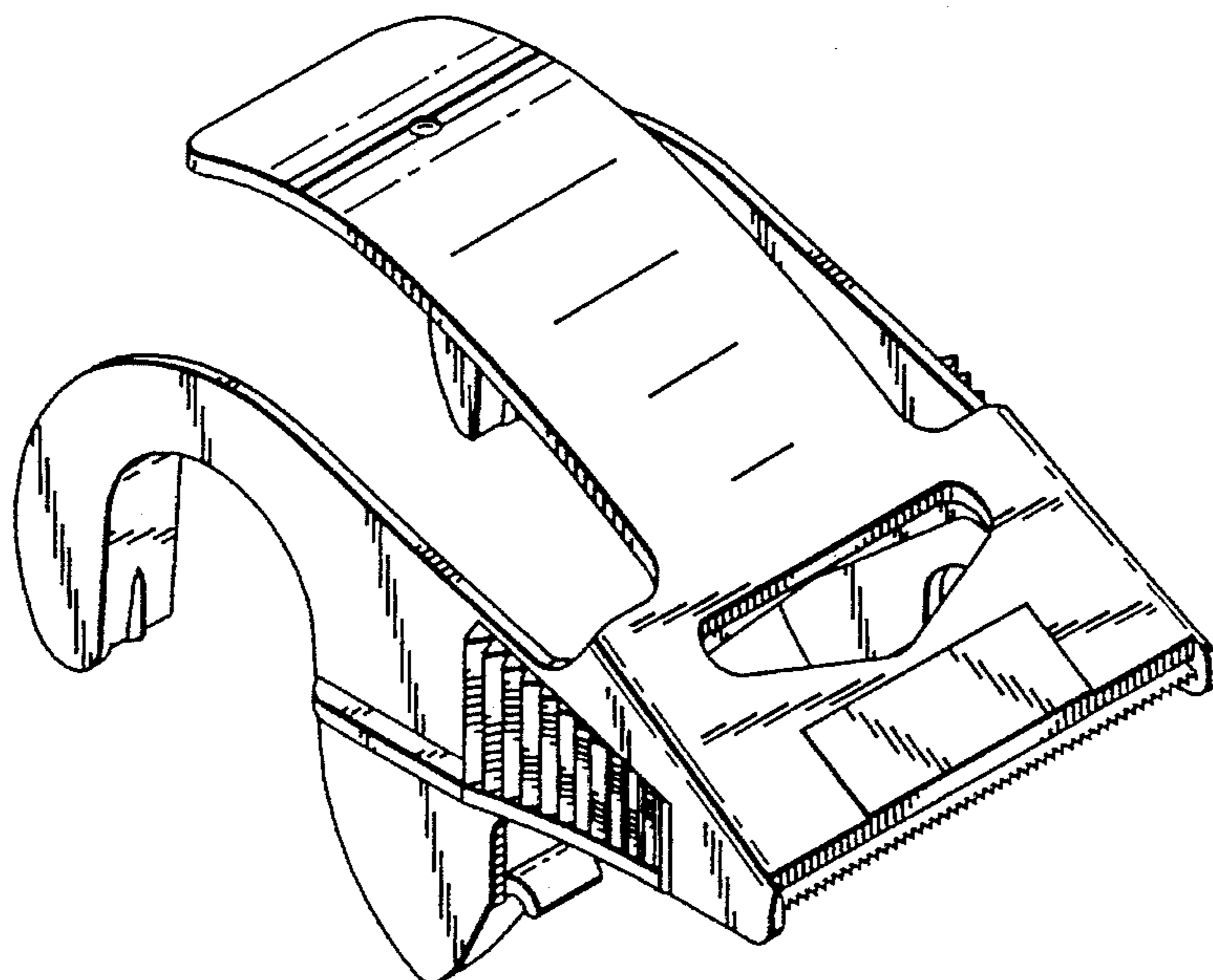
FIG. 9 is a top plan view of the tape dispenser illustrated in FIG. 7;

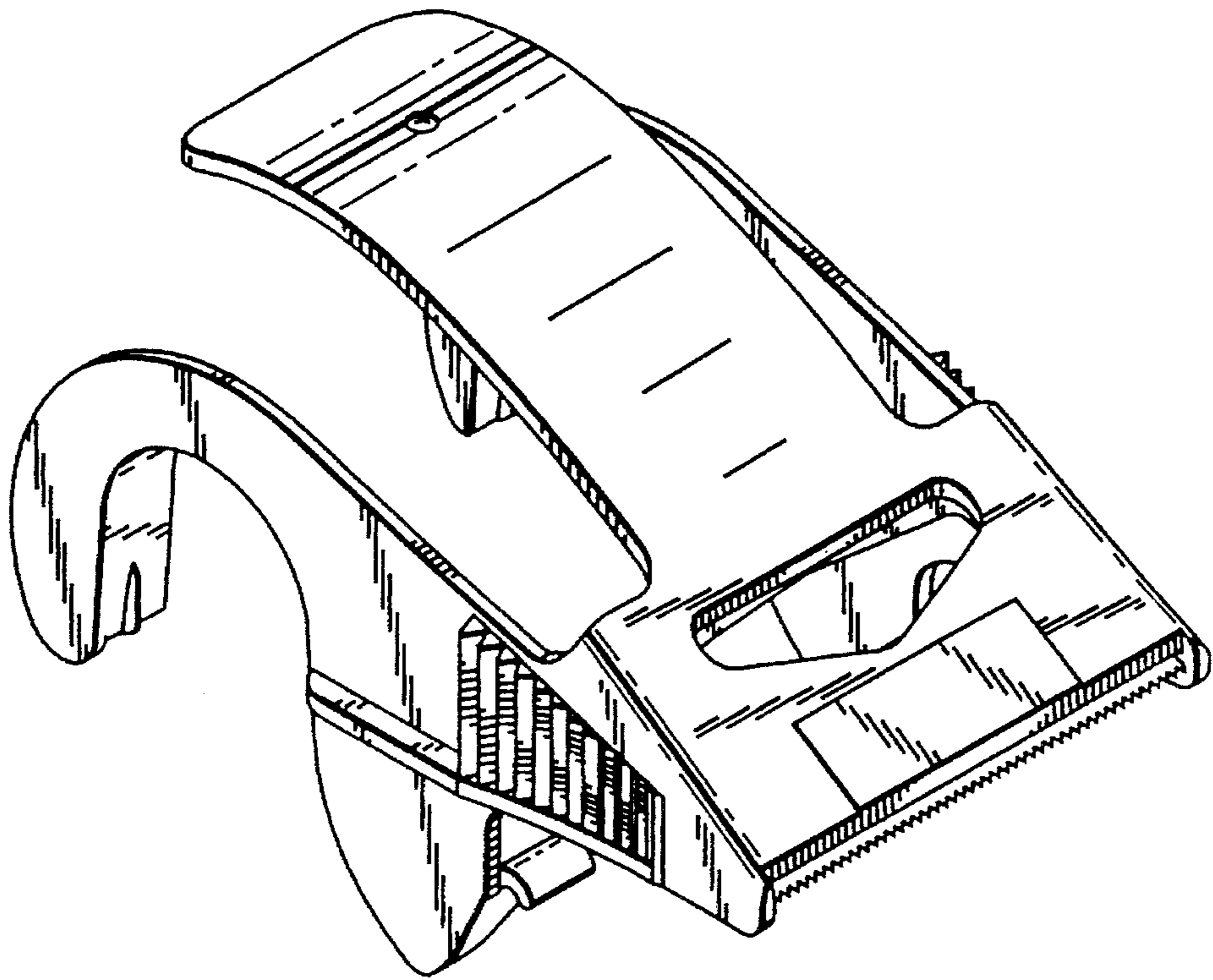
FIG. 10 is a bottom plan view of the tape dispenser illustrated in FIG. 7;

FIG. 11 is a front elevational view of the tape dispenser illustrated in FIG. 7; and,

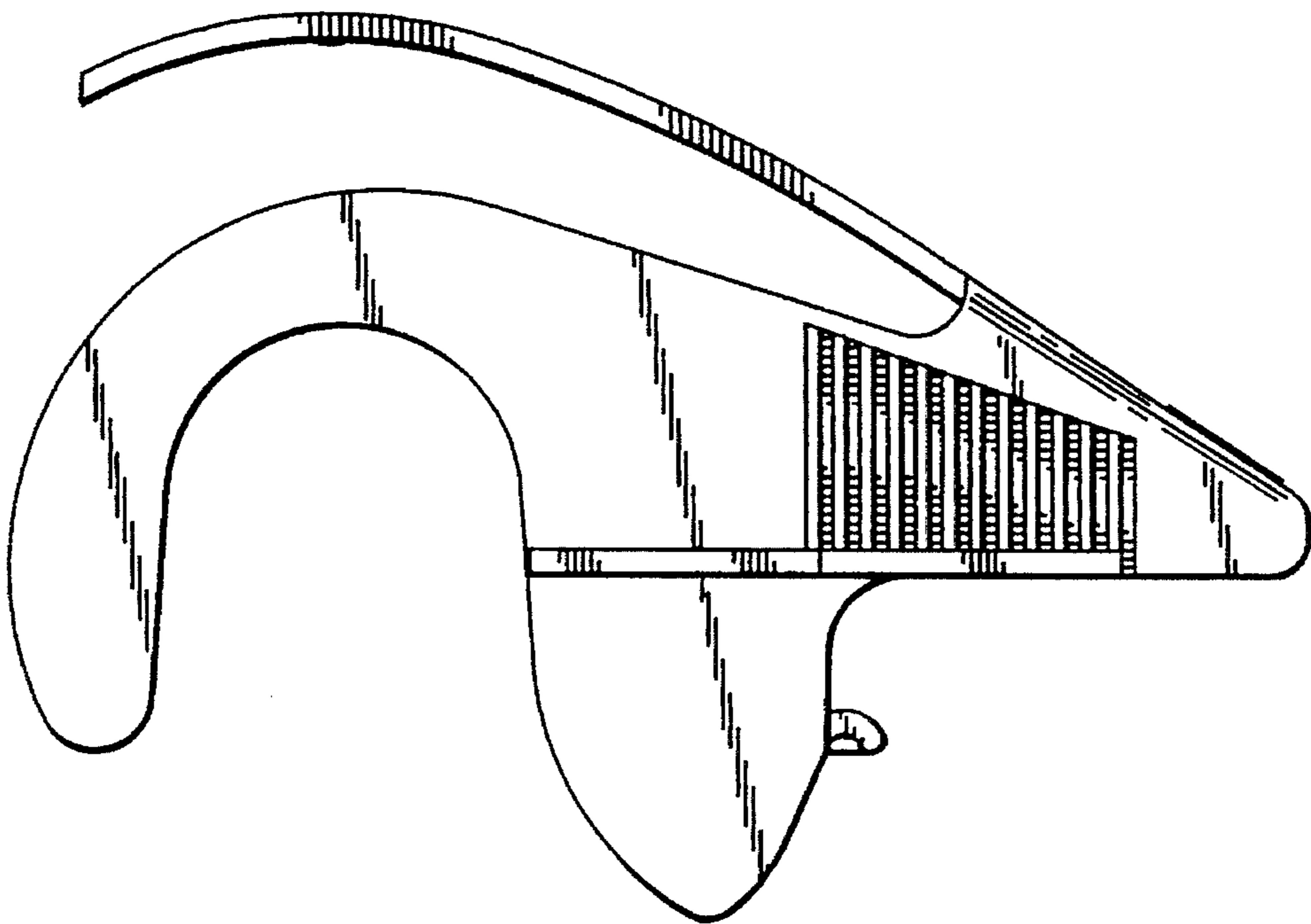
FIG. 12 is a rear elevational view of the tape dispenser illustrated in FIG. 7.

**1 Claim, 6 Drawing Sheets**

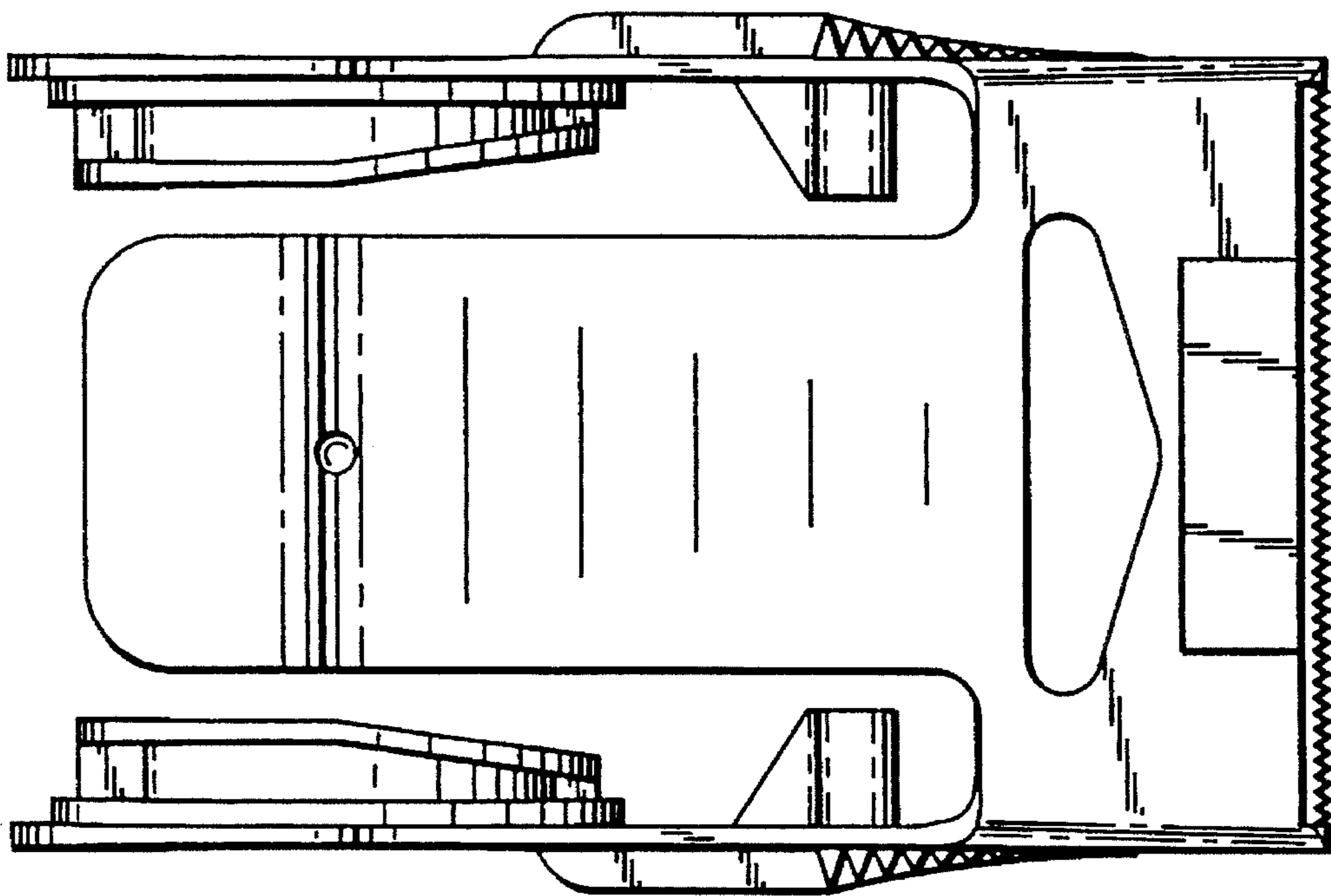




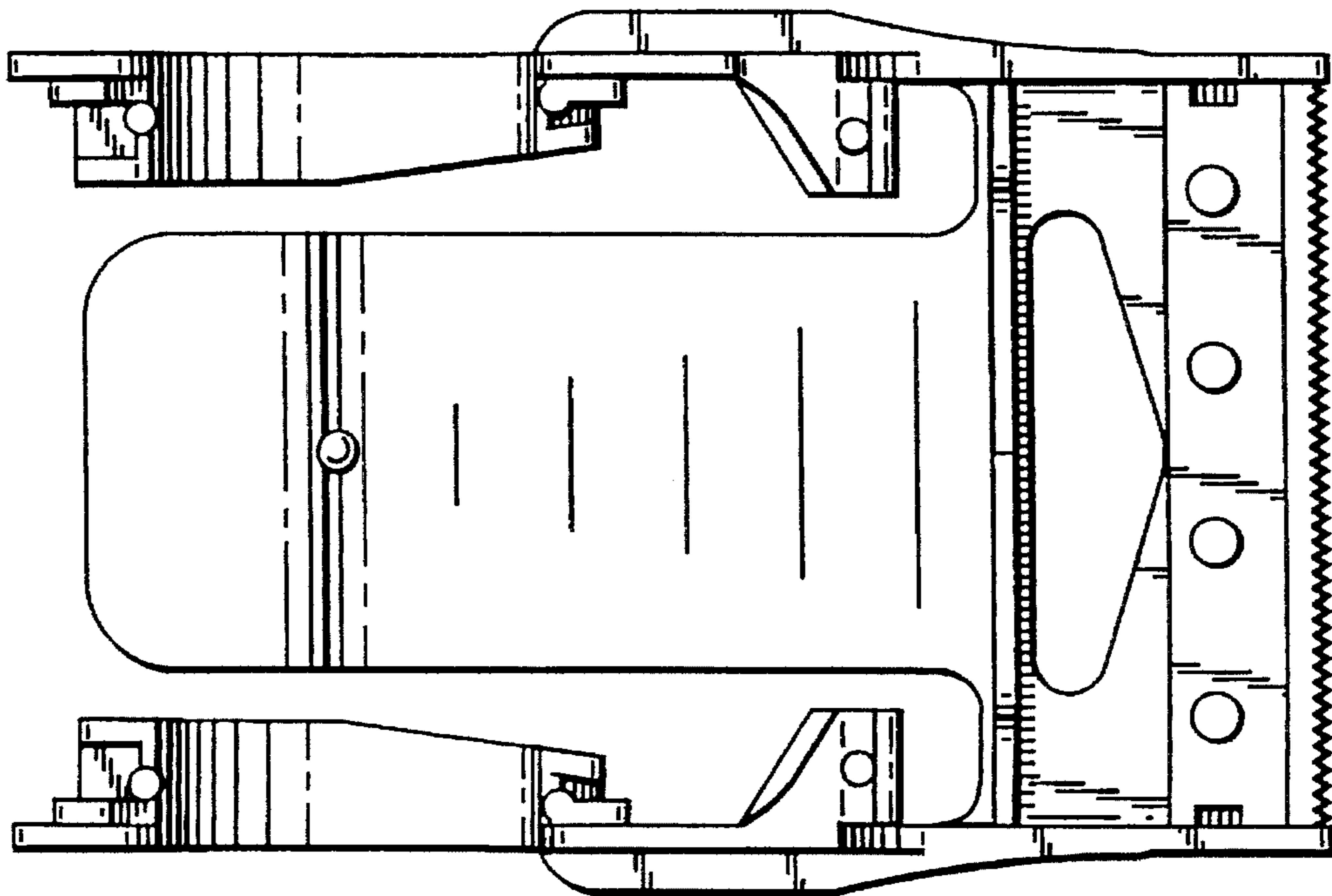
**Fig. 1**



**Fig. 2**

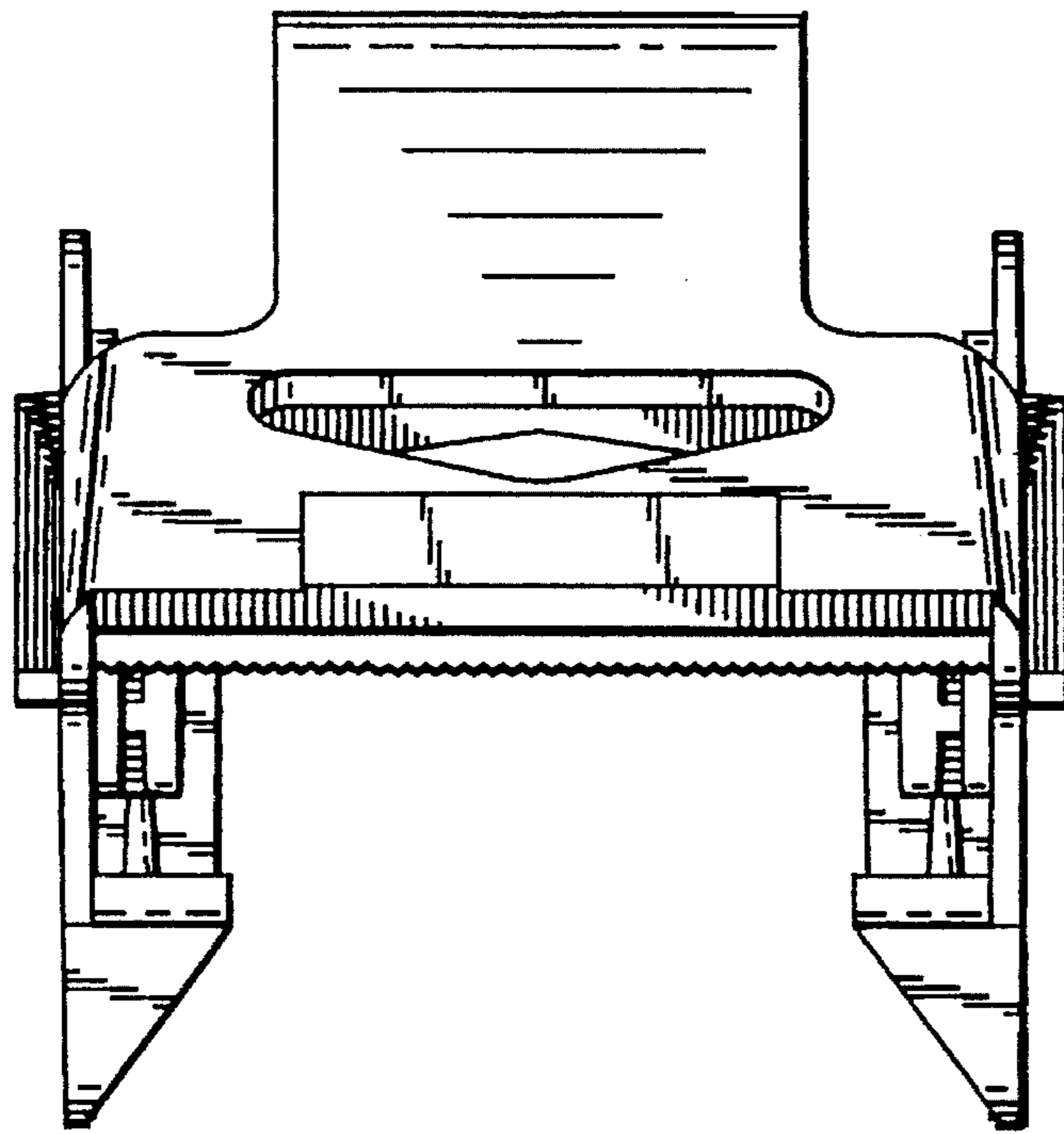


**Fig. 3**

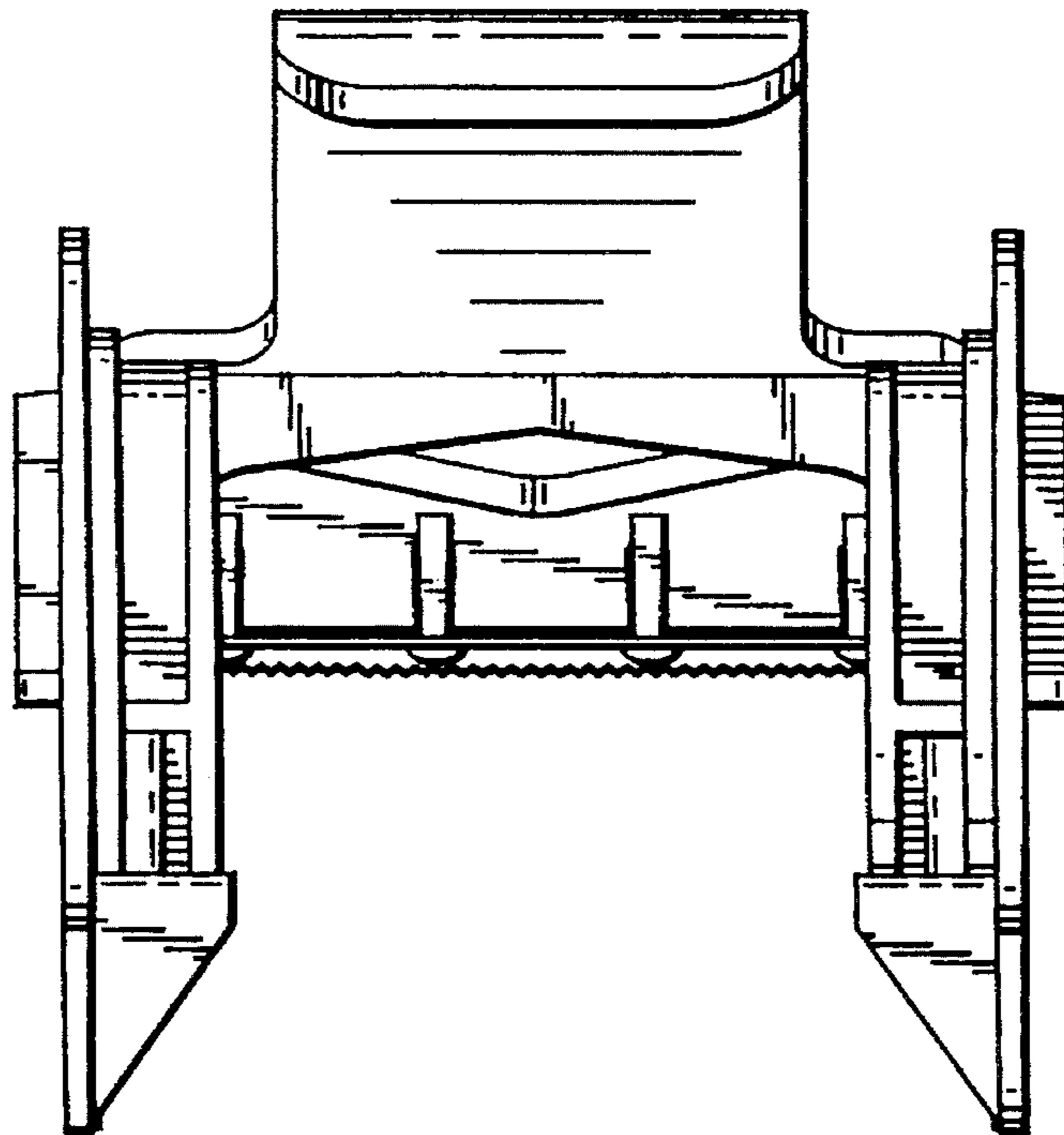


**Fig. 4**

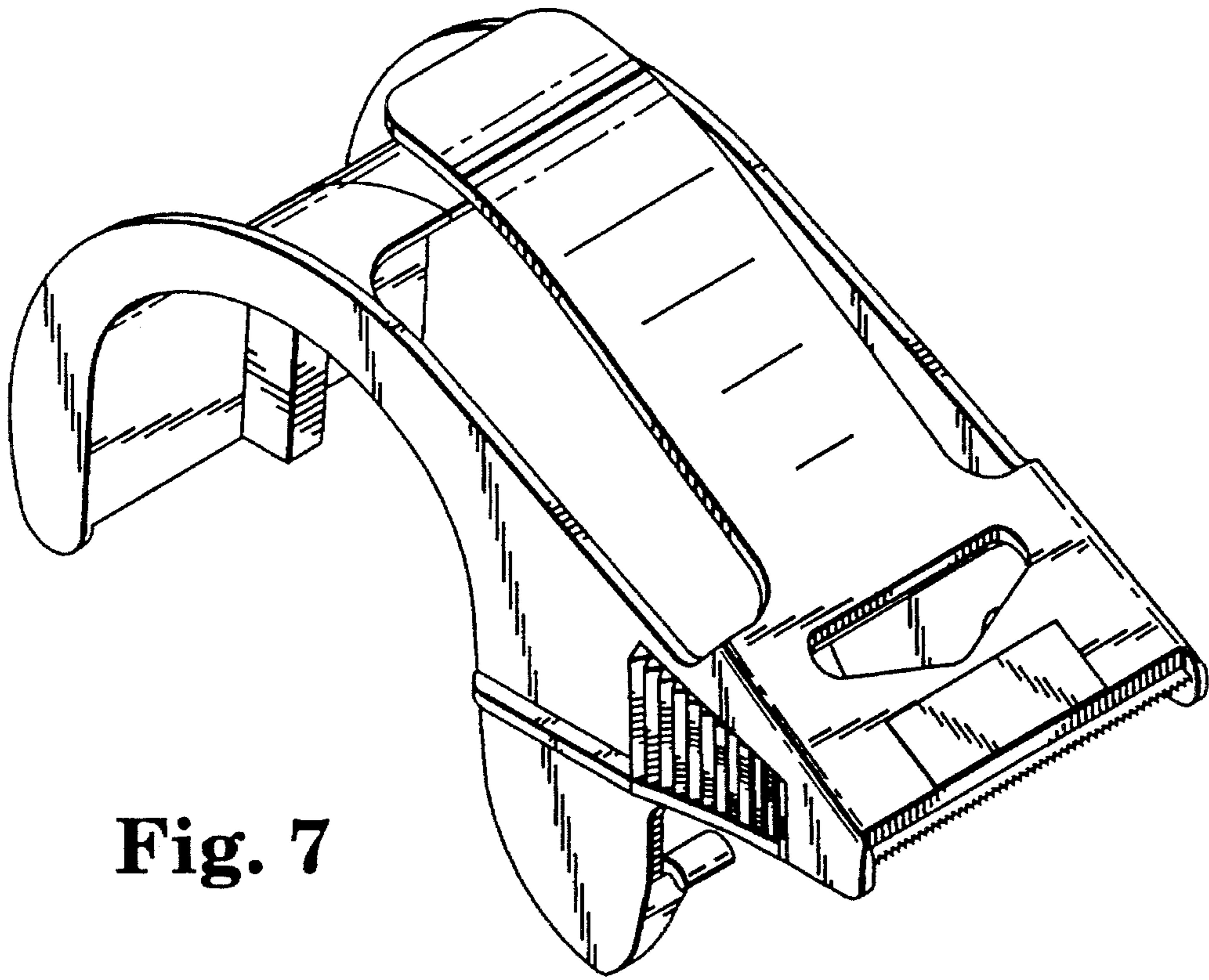




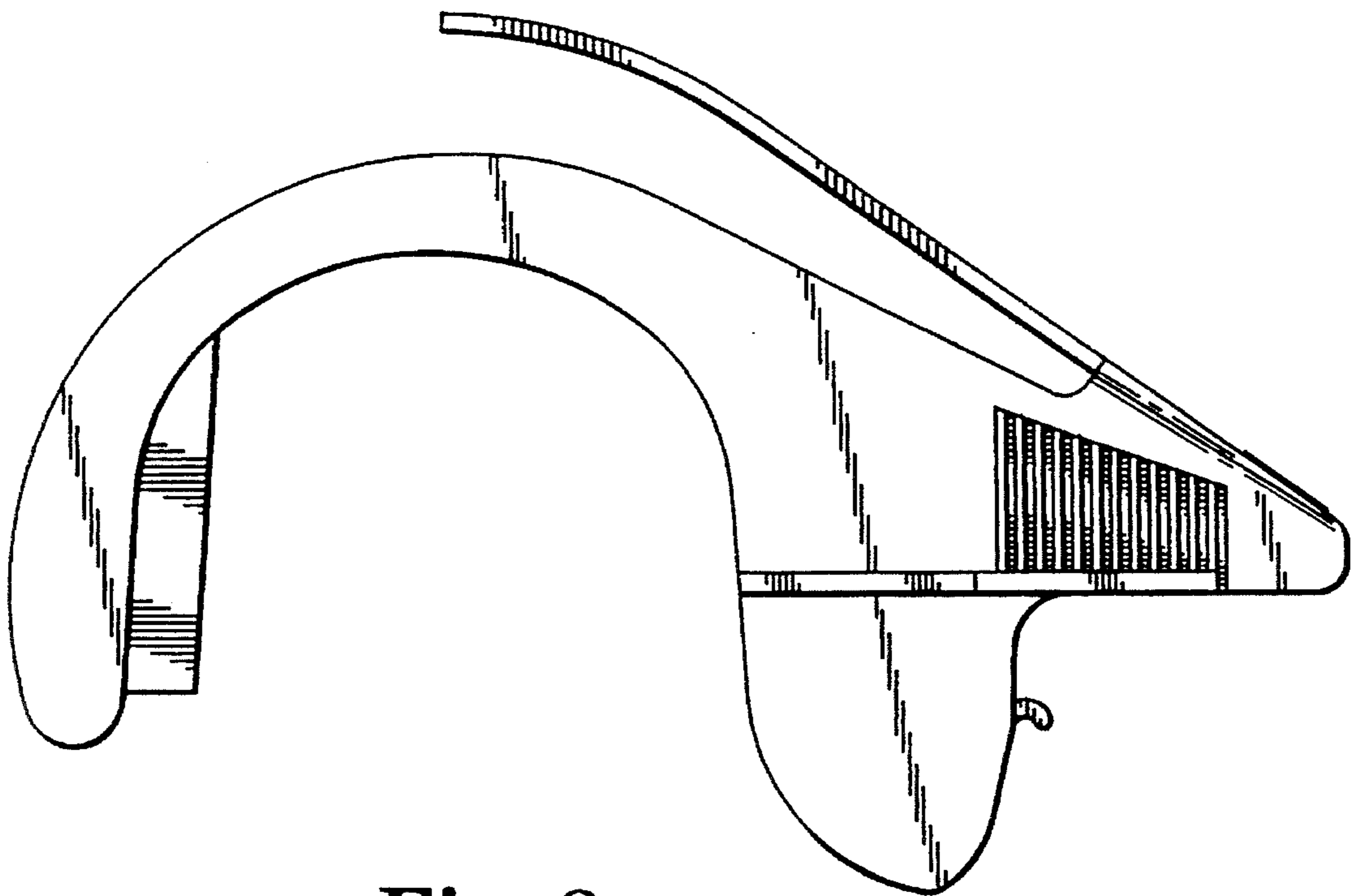
**Fig. 5**



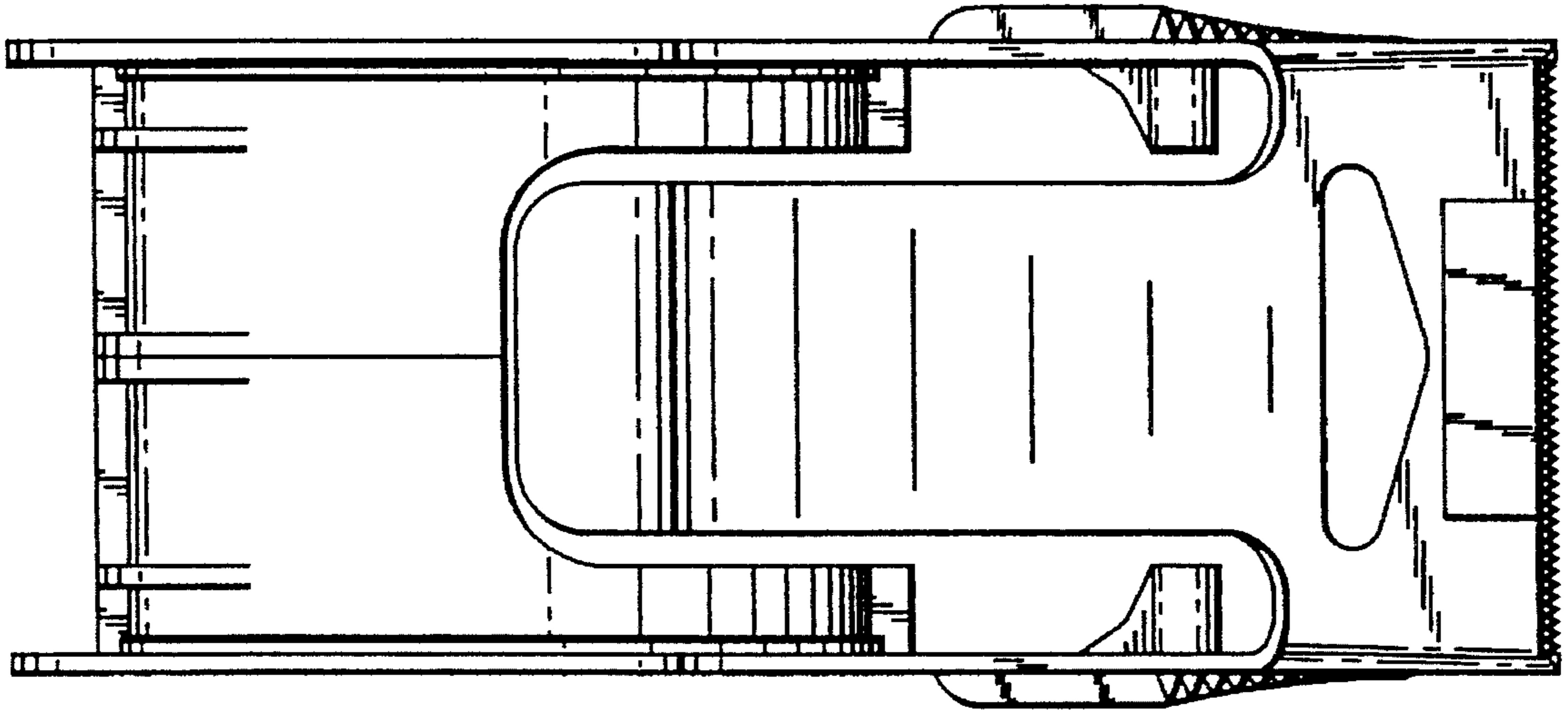
**Fig. 6**



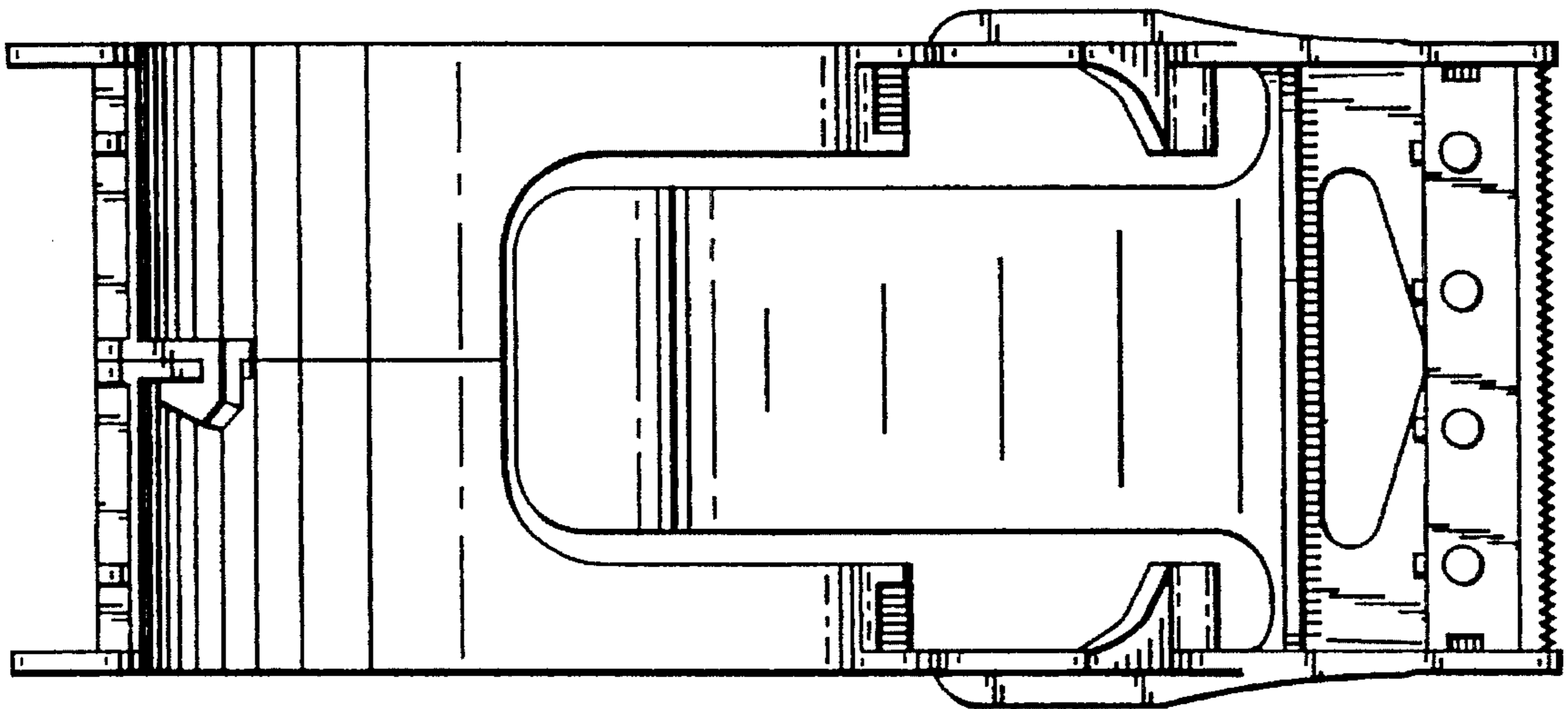
**Fig. 7**



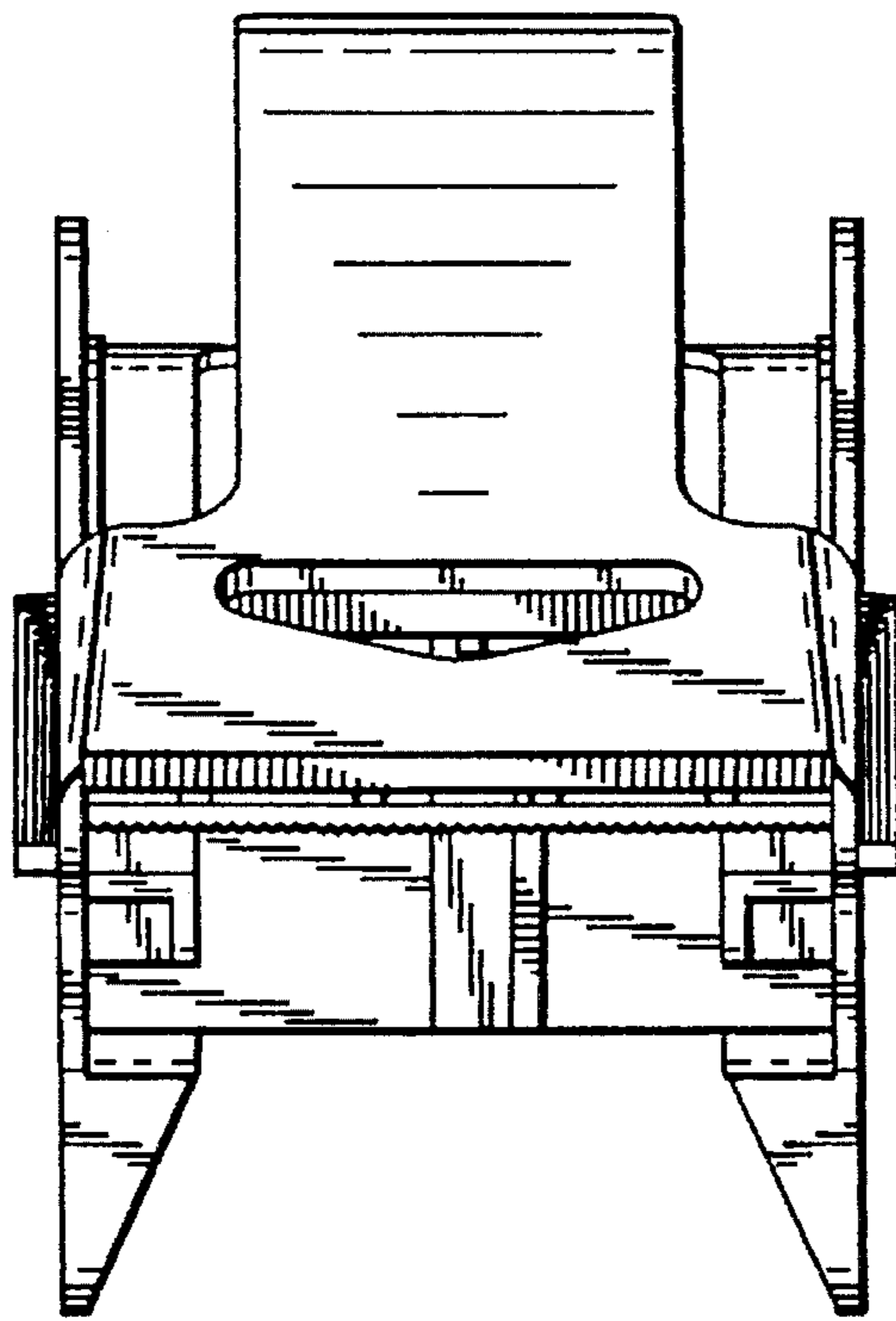
**Fig. 8**



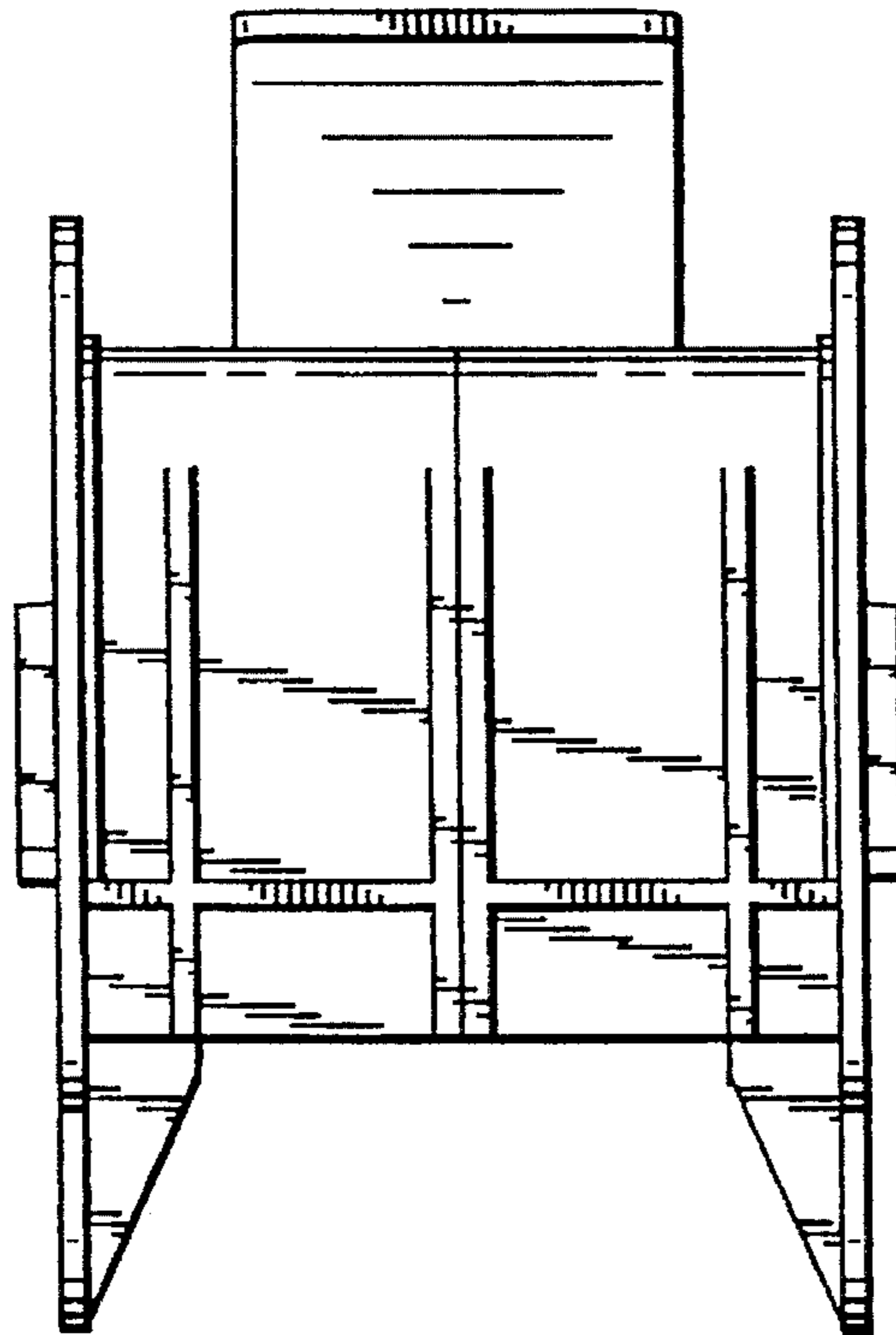
**Fig. 9**



**Fig. 10**



**Fig. 11**



**Fig. 12**