



US00D362679S

# United States Patent [19]

[11] Patent Number: **Des. 362,679**

Meister, Jr.

[45] Date of Patent: **\*\*\* Sep. 26, 1995**

[54] **INSERT FEEDER MODULE**

[75] Inventor: **Herbert E. Meister, Jr.**, Naugatuck, Conn.

[73] Assignee: **Pitney Bowes Inc.**, Stamford, Conn.

[\*] Notice: The portion of the term of this patent subsequent to Feb. 21, 2009 has been disclaimed.

[\*\*] Term: **14 Years**

[21] Appl. No.: **12,305**

[22] Filed: **Aug. 27, 1993**

[52] U.S. Cl. .... **D18/99; D18/49**

[58] Field of Search ..... **D10/97; D15/145, D15/147, 199; D18/36, 46, 47, 48, 49, 99; D34/29; 209/584, 900; 364/464.01, 464.02, 464.03, 918.52, DIG. 15, 2; 395/600; 177/25.15, 438-440, 4**

[56] **References Cited**

**U.S. PATENT DOCUMENTS**

D. 243,712 3/1977 Morris et al. .... D15/145 X

|            |         |                     |          |
|------------|---------|---------------------|----------|
| D. 260,903 | 9/1981  | Overman .....       | D18/36   |
| D. 261,271 | 10/1981 | Samczyk .....       | D18/36   |
| D. 355,672 | 2/1995  | Meister, Jr. ....   | D18/99   |
| 4,831,273  | 5/1989  | Ross et al. ....    | D18/47 X |
| 4,956,782  | 9/1990  | Freeman et al. .... | 177/4 X  |

*Primary Examiner*—Alan P. Douglas  
*Assistant Examiner*—Caron D. Veynar  
*Attorney, Agent, or Firm*—Charles R. Malandra, Jr.; Melvin J. Scolnick

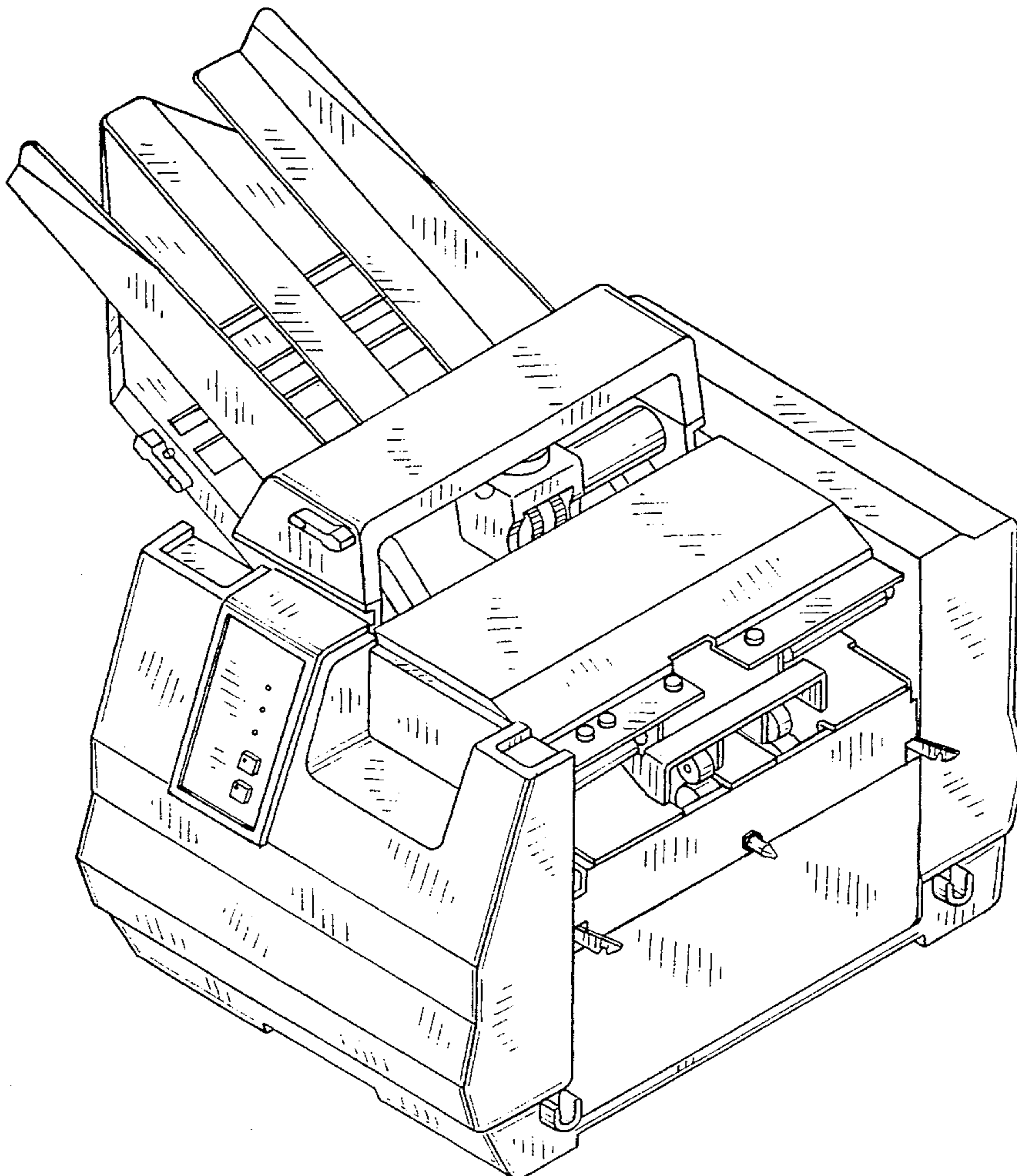
[57] **CLAIM**

The ornamental design for a insert feeder module, as shown an described.

**DESCRIPTION**

FIG. 1 is a top, front and left side perspective view of a insert feeder module showing our new design;  
FIG. 2 is a top plan view thereof;  
FIG. 3 is a left elevational view thereof;  
FIG. 4 is a front side elevational view thereof;  
FIG. 5 is a rear side elevational view thereof; and,  
FIG. 6 is a right side elevational view thereof.

**1 Claim, 6 Drawing Sheets**



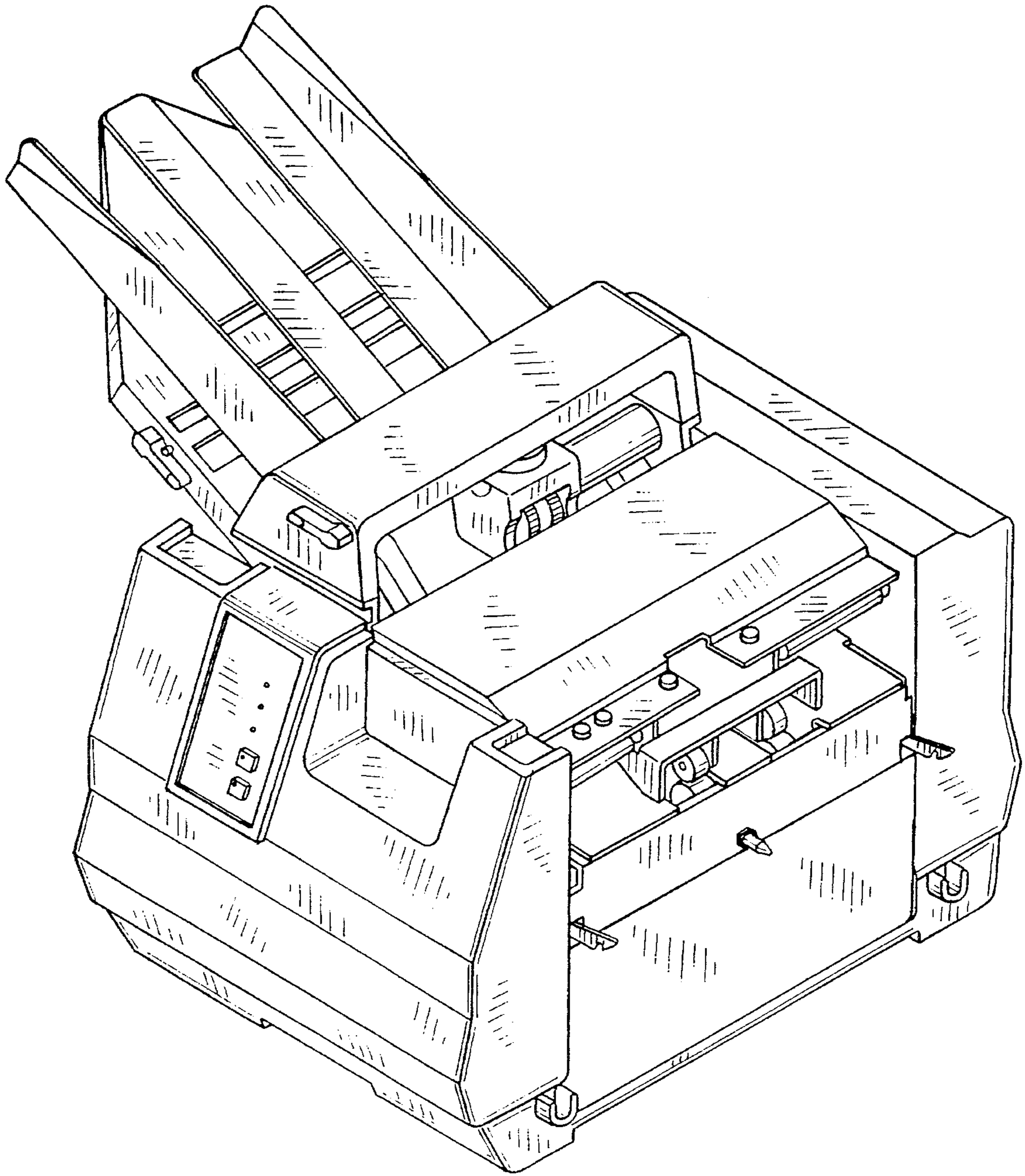


FIG. 1

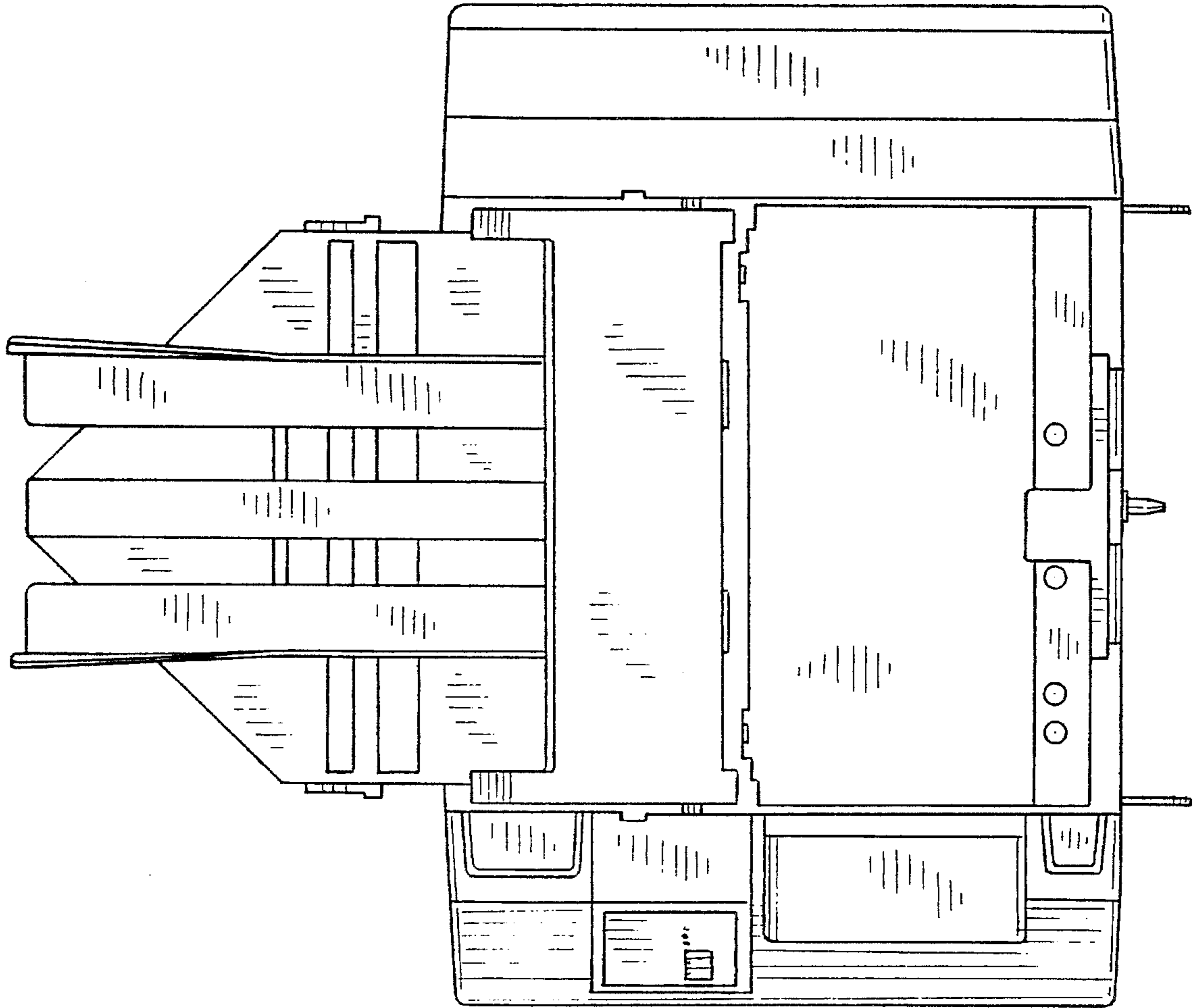


FIG. 2

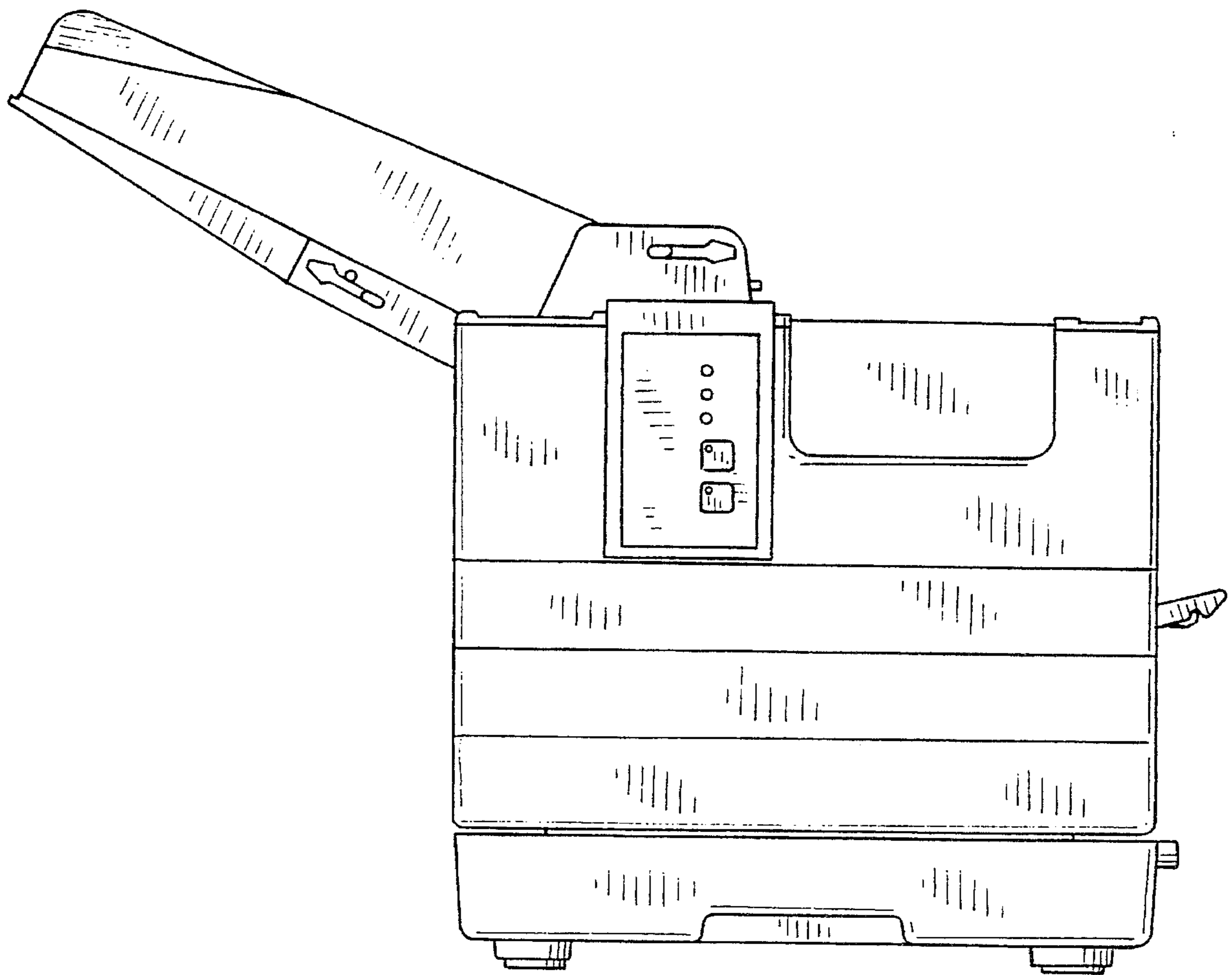


FIG. 3

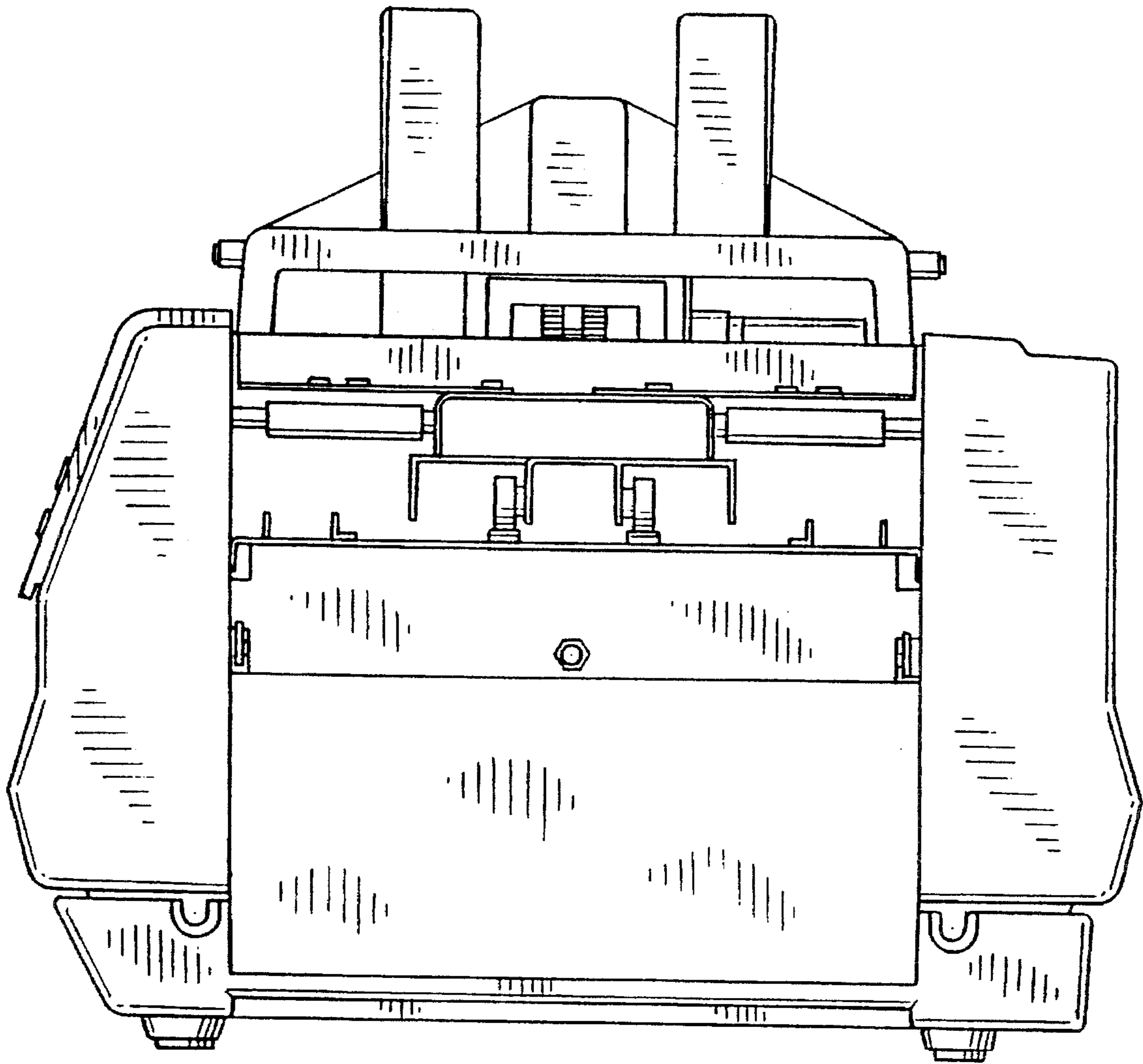


FIG. 4

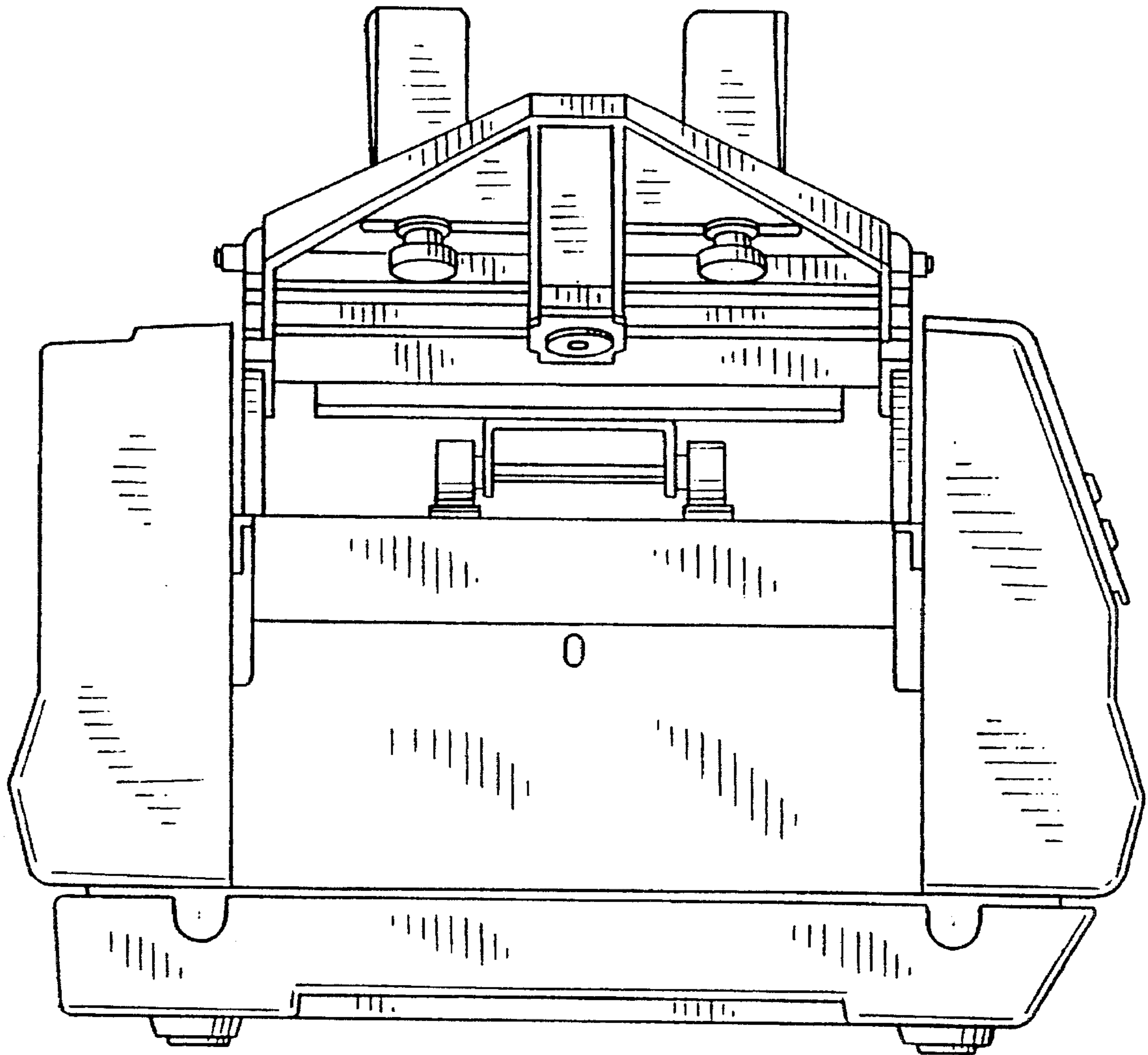


FIG. 5

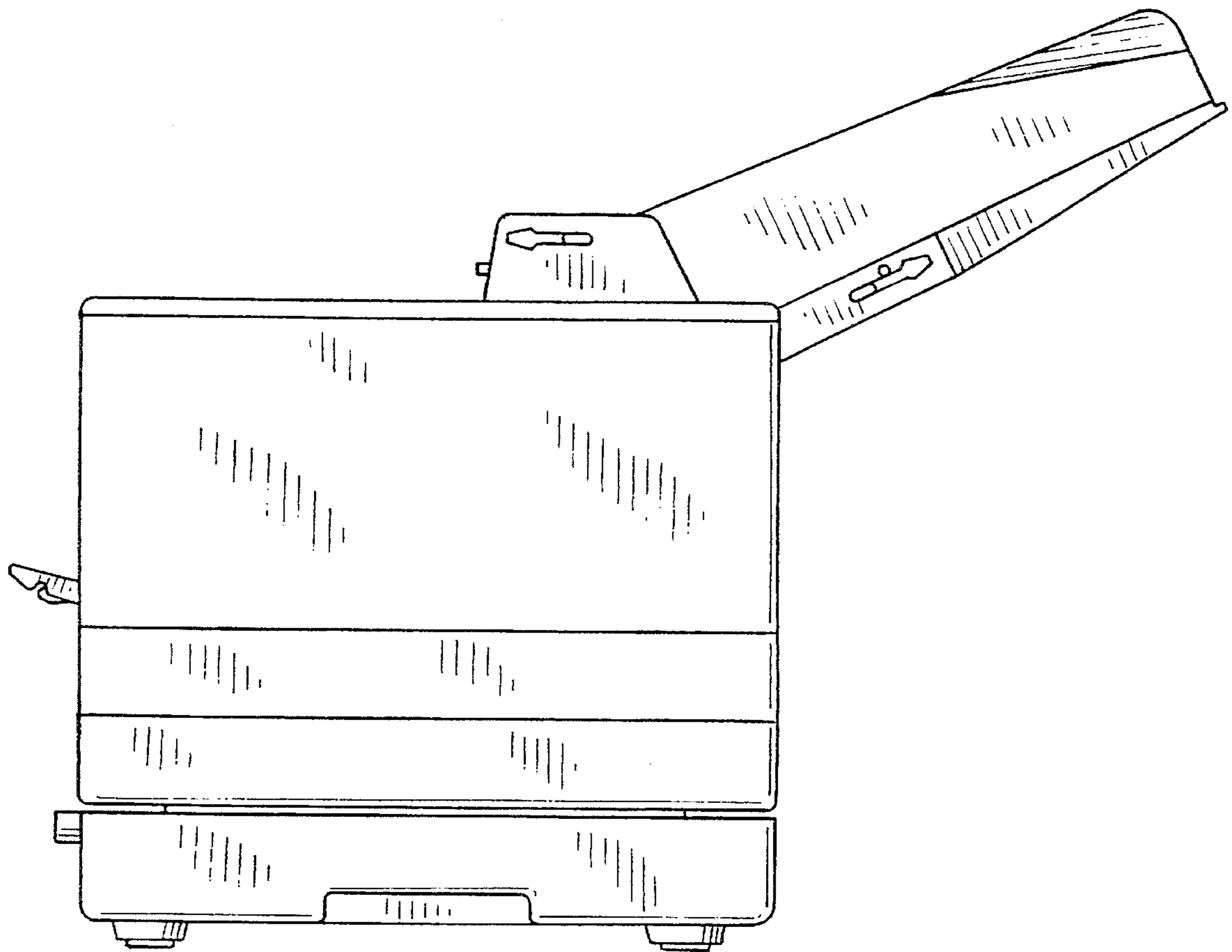


FIG. 6