



US00D362676S

United States Patent [19]

[11] Patent Number: **Des. 362,676**

Shimizu et al.

[45] Date of Patent: ****Sep. 26, 1995**

[54] **TONER BOTTLE FOR COPYING MACHINE**

[75] Inventors: **Hisakazu Shimizu**, Yokohama;
Toshiaki Nagashima, Chiba, both of
Japan

[73] Assignee: **Canon Kabushiki Kaisha**, Tokyo,
Japan

[**] Term: **14 Years**

[21] Appl. No.: **24,678**

[22] Filed: **Jun. 20, 1994**

[30] **Foreign Application Priority Data**

Dec. 22, 1993 [JP] Japan 5-38889

[52] U.S. Cl. **D18/43**

[58] **Field of Search** D18/40, 43; D9/500,
D9/503, 502, 545, 549, 552, 555, 557,
558, 565; 118/653, 657; 141/1; 206/216,
316, 446, 461, 467; 222/DIG. 1, 166, 240,
325, 541; 355/200, 245, 260, 298

[56] **References Cited**

U.S. PATENT DOCUMENTS

- D. 298,257 10/1988 Masaki D18/43
- D. 308,886 6/1990 Aoyama D18/43
- D. 310,683 9/1990 Aoyama D18/43
- D. 312,269 11/1990 Komada et al. D18/43

- D. 312,270 11/1990 Komada et al. D18/43
- D. 319,464 8/1991 Takahashi et al. D18/43
- D. 319,658 9/1992 Yamamoto et al. D18/43
- D. 329,659 9/1992 Mizukami et al. D18/43
- D. 329,868 9/1992 Sakaguchi et al. D18/43
- D. 332,280 1/1993 Yoshida et al. D18/40 X
- D. 333,833 3/1993 Yamamoto et al. D18/43
- D. 344,284 2/1994 Suzuki et al. D18/43
- D. 351,187 10/1994 Suga D18/43
- 4,060,105 11/1977 Feldeisen et al. 222/DIG. 1 X

Primary Examiner—Alan P. Douglas
Assistant Examiner—Caron D. Veynar
Attorney, Agent, or Firm—Fitzpatrick, Cella, Harper & Scinto

[57] **CLAIM**

The ornamental design for a toner bottle for copying machine, as shown and described.

DESCRIPTION

FIG. 1 is a front elevational view of a toner bottle for copying machine showing our new design; FIG. 2 is a rear elevational view thereof; FIG. 3 is a top plan view thereof; FIG. 4 is a bottom plan view thereof; FIG. 5 is a left side elevational view thereof; FIG. 6 is a right side elevational view thereof; and, FIG. 7 is a perspective view thereof.

1 Claim, 3 Drawing Sheets

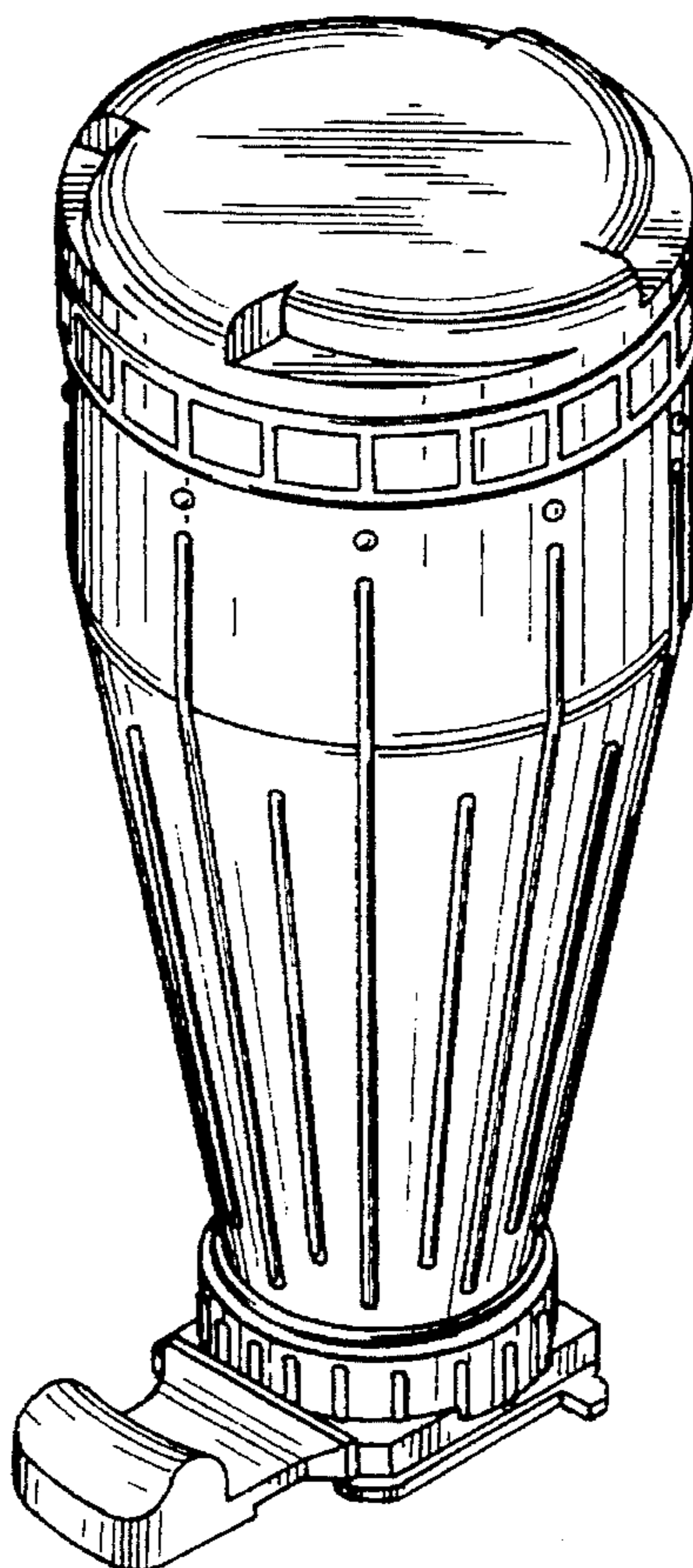


FIG. 1

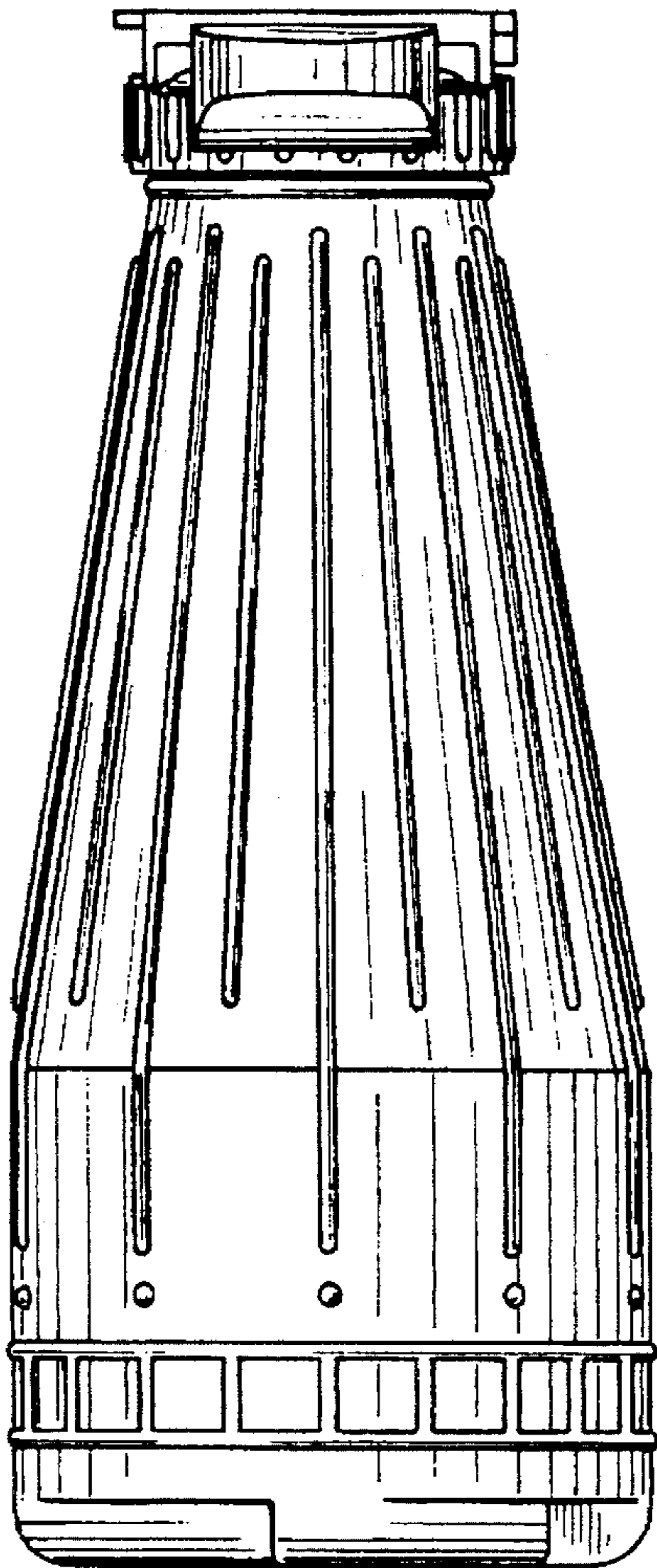


FIG. 2

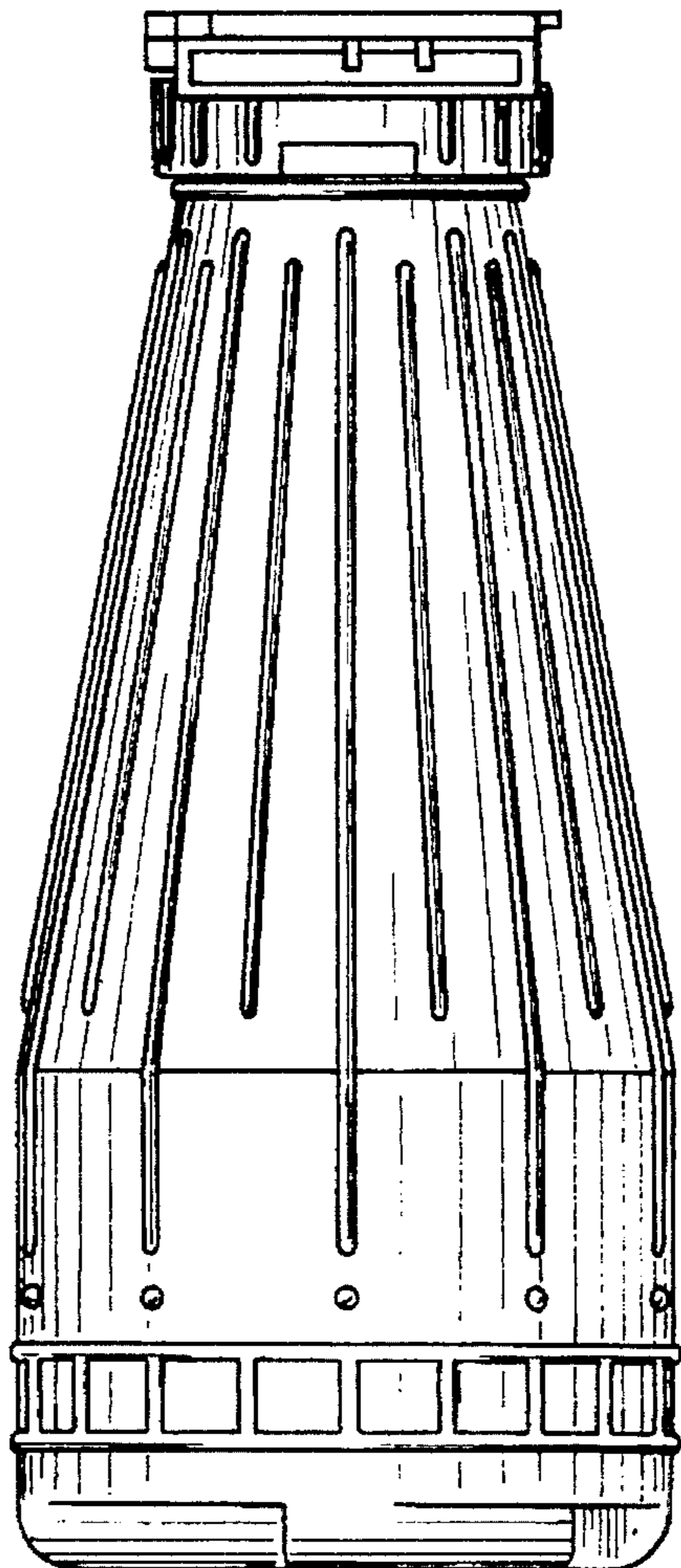


FIG. 3

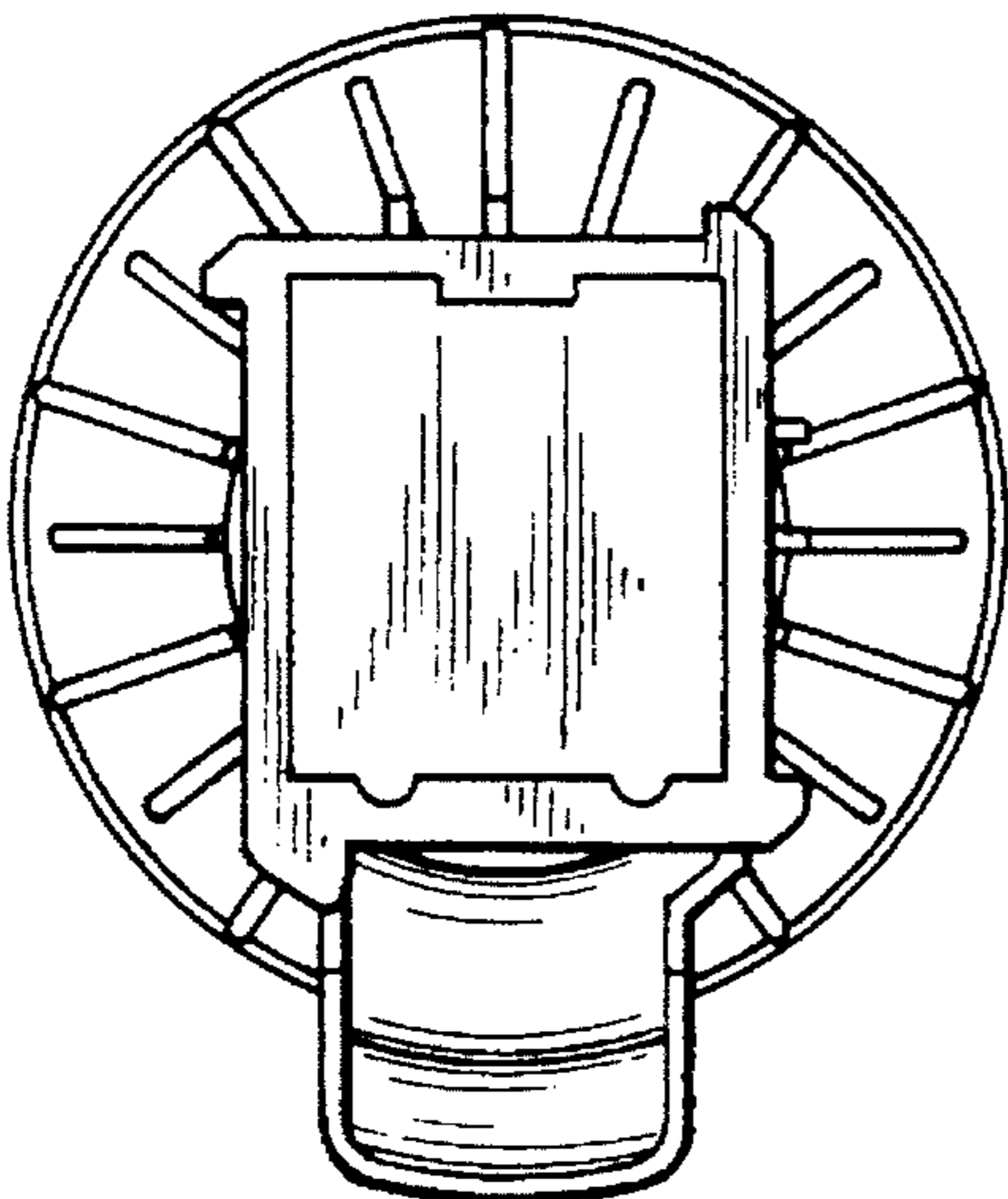


FIG. 4

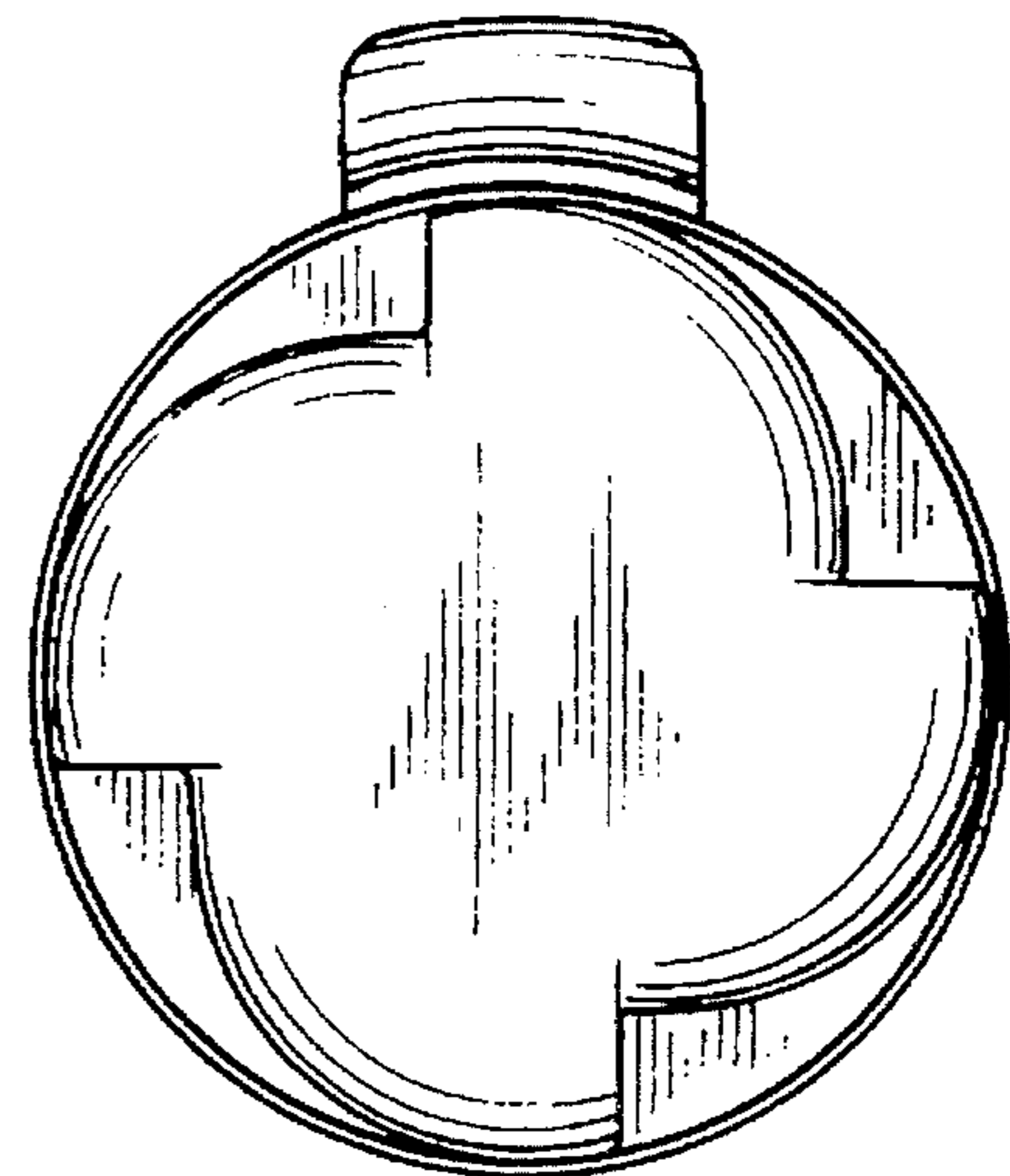


FIG. 5

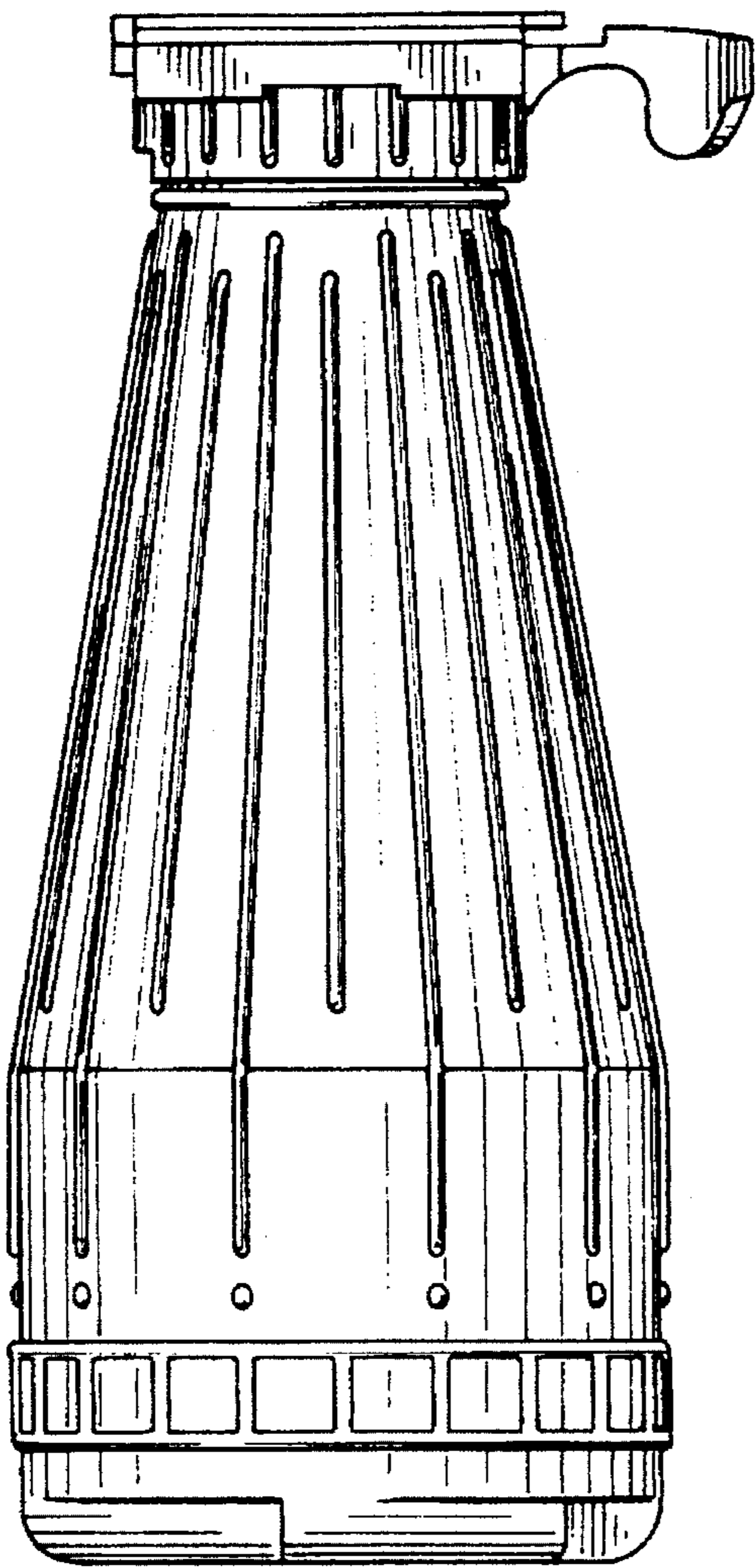


FIG. 6

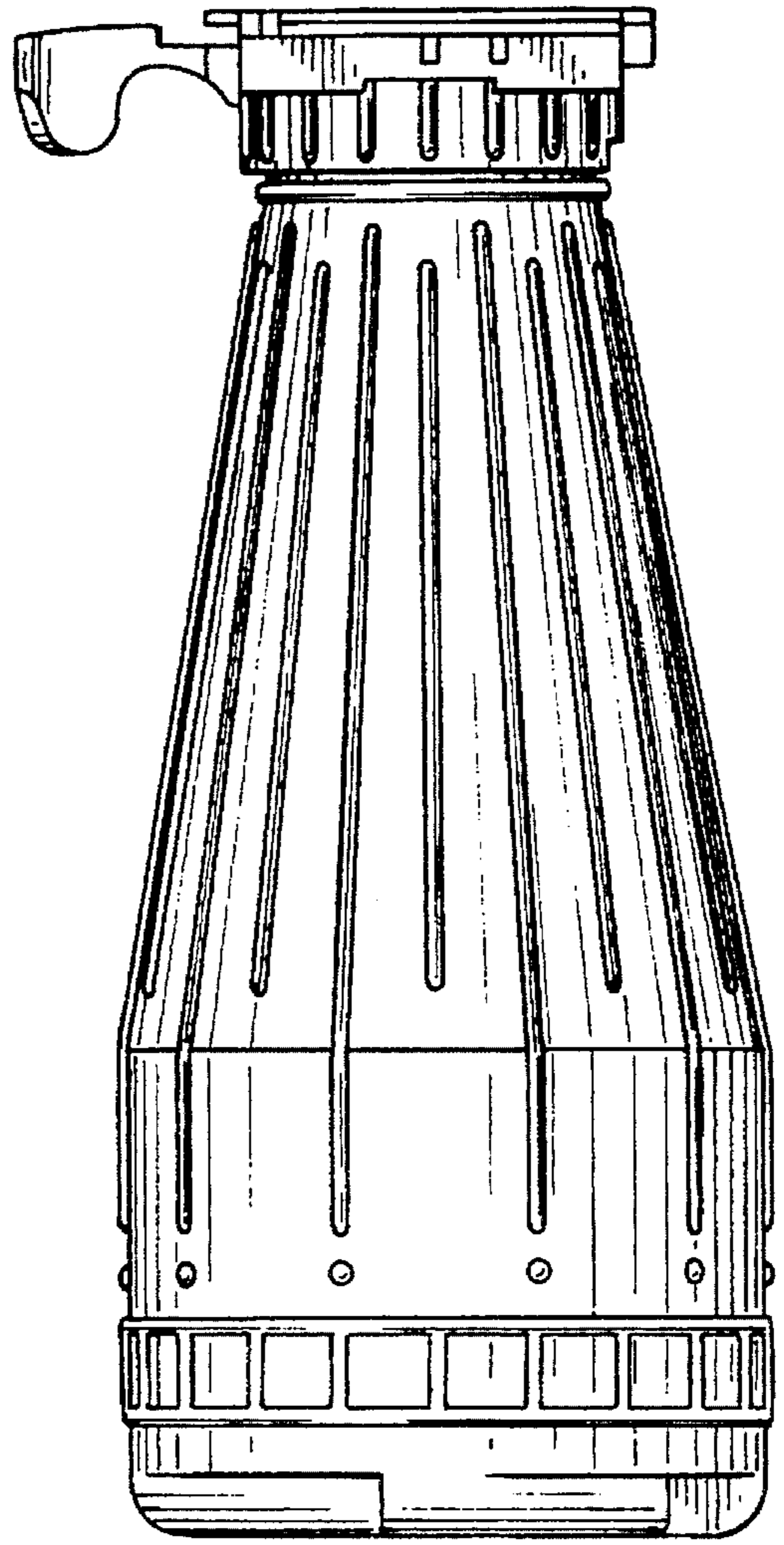


FIG. 7

