



US00D362673S

United States Patent [19]

[11] Patent Number: **Des. 362,673**

Yamamoto

[45] Date of Patent: ****Sep. 26, 1995**

[54] LABEL PRINTER

782215	11/1989	Japan .
782214	11/1989	Japan .
839229	2/1992	Japan .
856971	9/1992	Japan .
856972	9/1992	Japan .

[75] Inventor: **Yoshiro Yamamoto**, Funabashi, Japan

[73] Assignee: **Kabushiki Kaisha TEC**, Shizuoka, Japan

[**] Term: **14 Years**

[21] Appl. No.: **18,751**

[22] Filed: **Feb. 14, 1994**

[30] Foreign Application Priority Data

Sep. 28, 1993 [JP] Japan 5-29191

[52] U.S. Cl. **D18/19; D18/50**

[58] Field of Search 400/88, 690-694, 400/690.1-690.4, 613, 613.1-613.4; 101/93.4, 269, 91; 347/222, 245, 264, 170, 108; D18/50, 51, 52, 54-55, 19; D19/60; D14/106

[56] References Cited

U.S. PATENT DOCUMENTS

D. 249,981	10/1978	Karp	D18/19
D. 335,300	5/1993	Ishii	D18/50
D. 343,410	1/1994	Sekiguchi	D18/50
D. 350,150	8/1994	Weitkamp	D18/50
3,713,168	1/1973	Baker	347/170
5,267,800	12/1993	Petteruti et al.	400/88

FOREIGN PATENT DOCUMENTS

729433 12/1987 Japan .

OTHER PUBLICATIONS

Allegro Bar Code Label Printer; 1992; Fargo Electronics Inc.

Kubota UP-2000 Label Printer; 1990.

Furuno FP-140 Label Printer; 1991.

Primary Examiner—Cathy Anne MacCormac

Attorney, Agent, or Firm—Christopher R. Pastel; Thomas R. Morrison

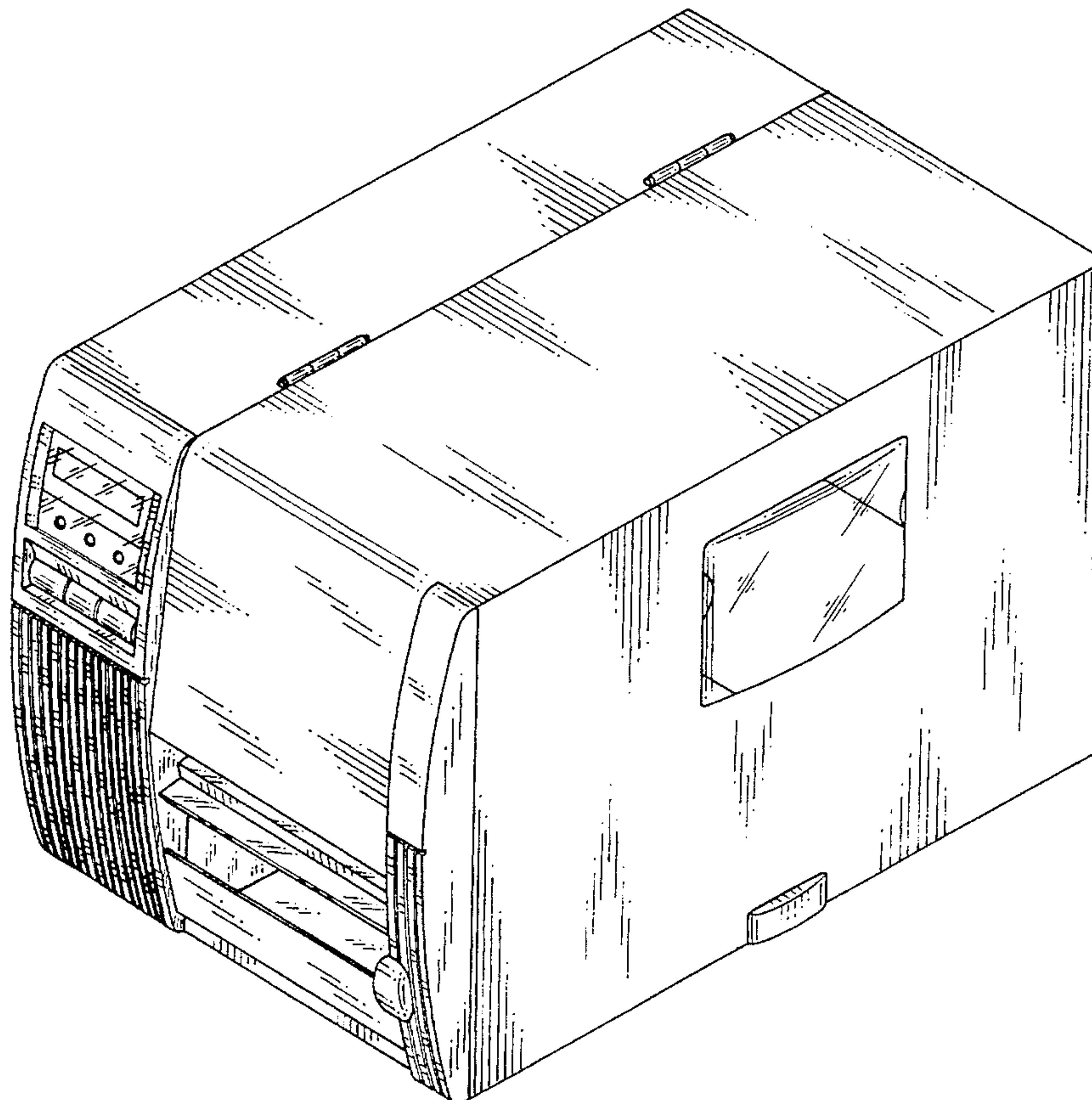
[57] CLAIM

The ornamental design for a label printer, as shown and described.

DESCRIPTION

FIG. 1 is a perspective view of my new design;
 FIG. 2 is a front elevational view of my new design;
 FIG. 3 is a rear elevational view of my new design;
 FIG. 4 is a top plan view of my new design;
 FIG. 5 is a bottom plan view of my design;
 FIG. 6 is a left side elevational view of my new design; and,
 FIG. 7 is a right side elevational view of my new design.

1 Claim, 7 Drawing Sheets



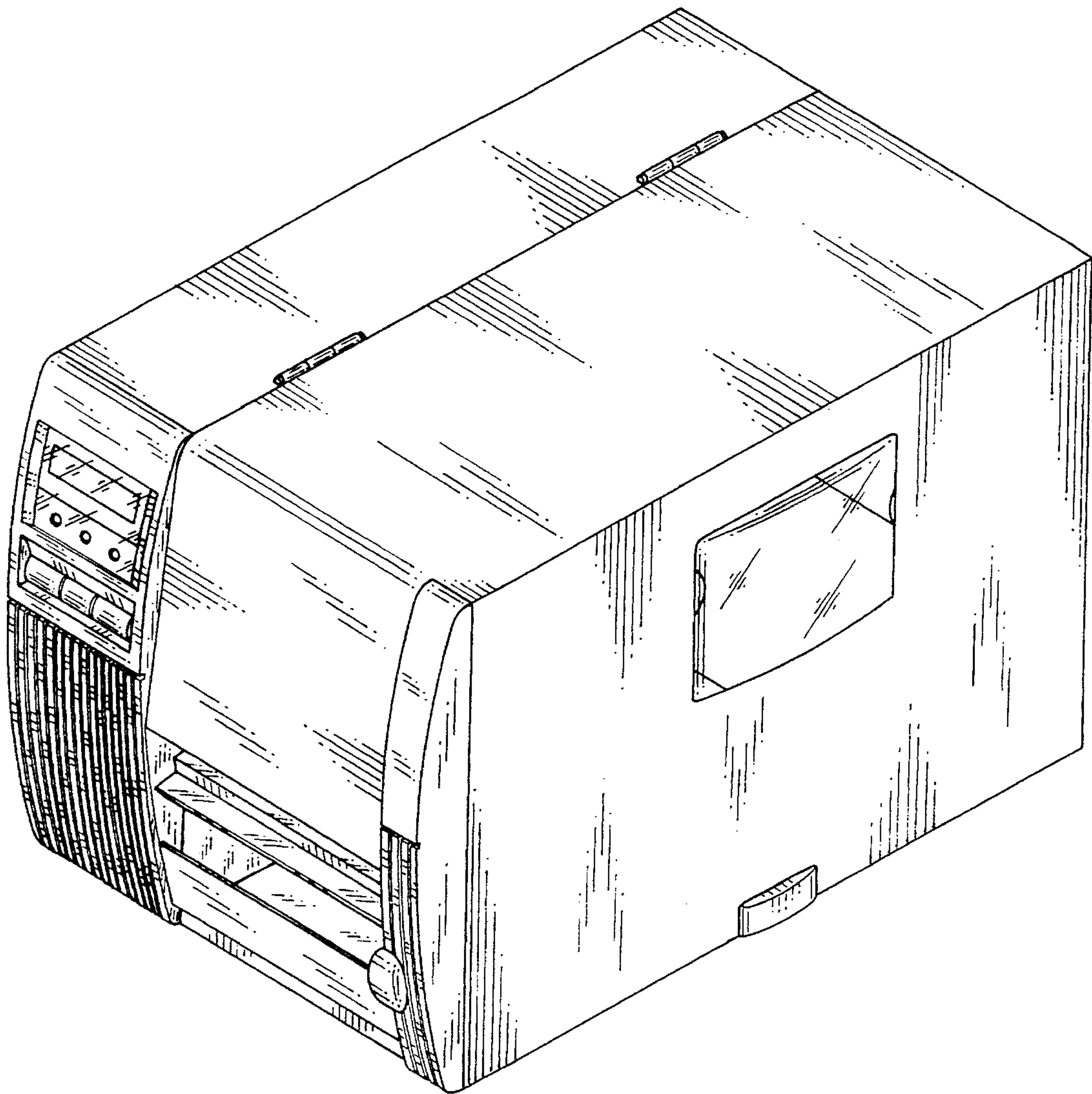


FIG. 1

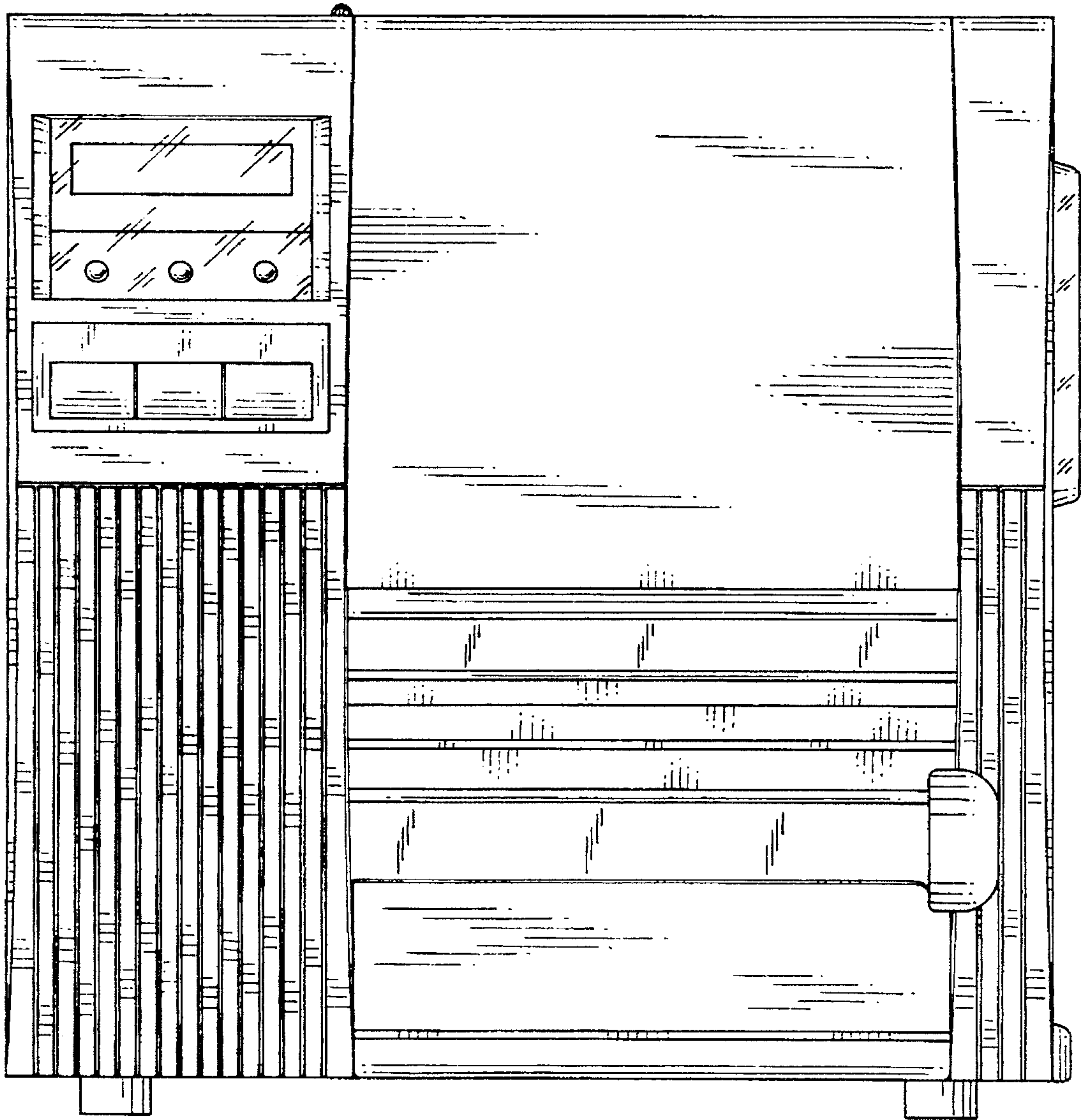


FIG. 2

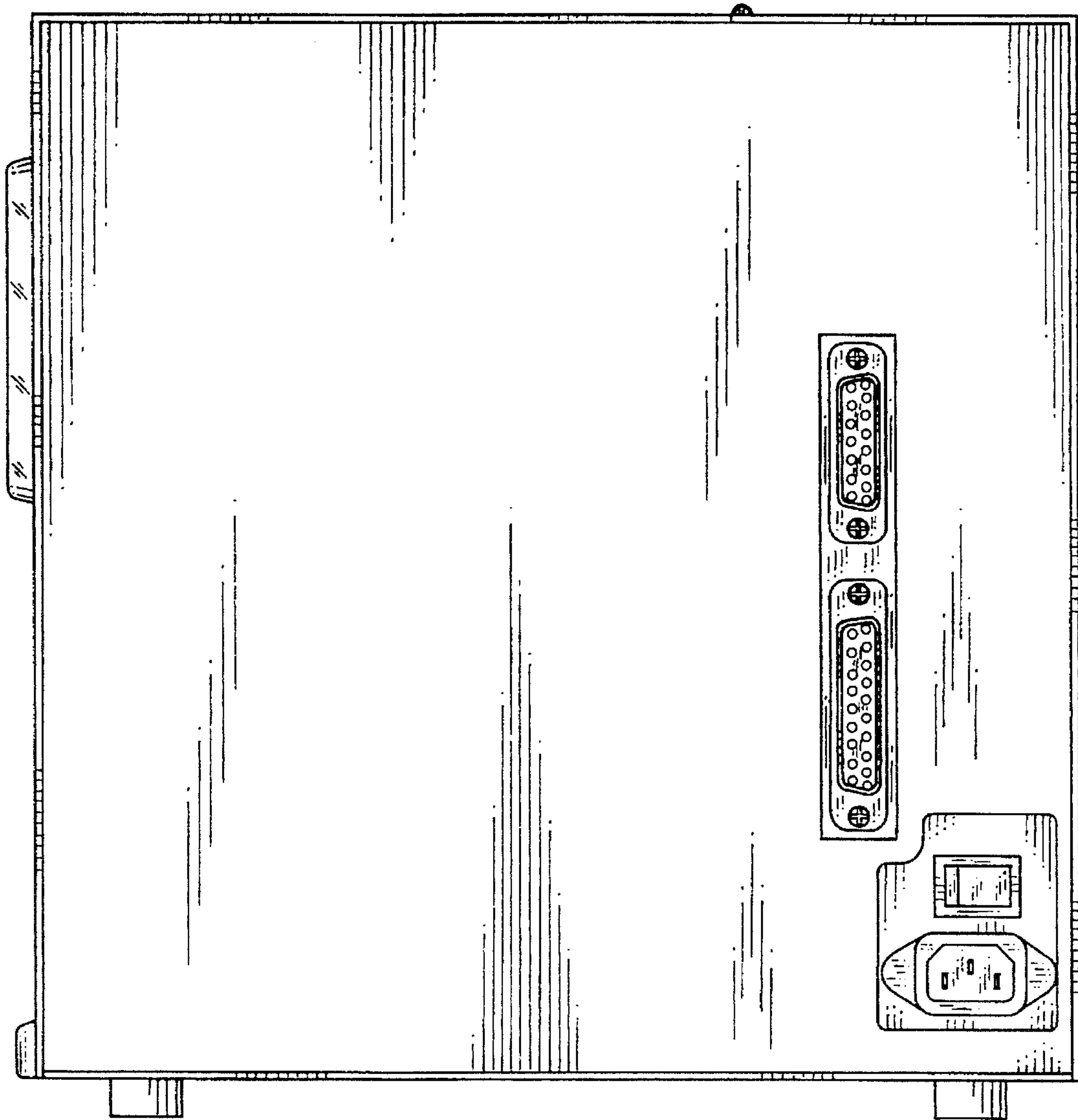


FIG. 3

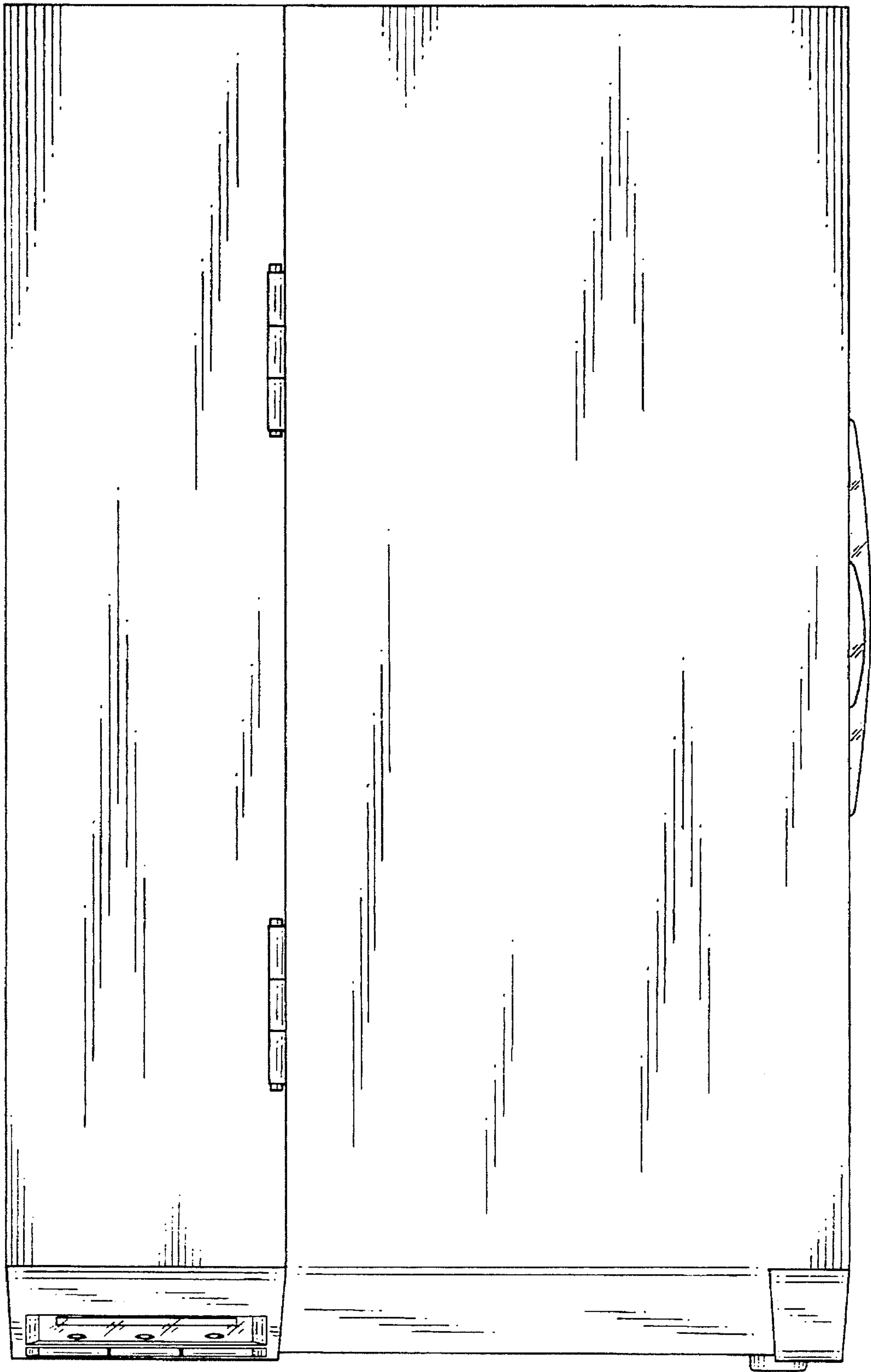


FIG. 4

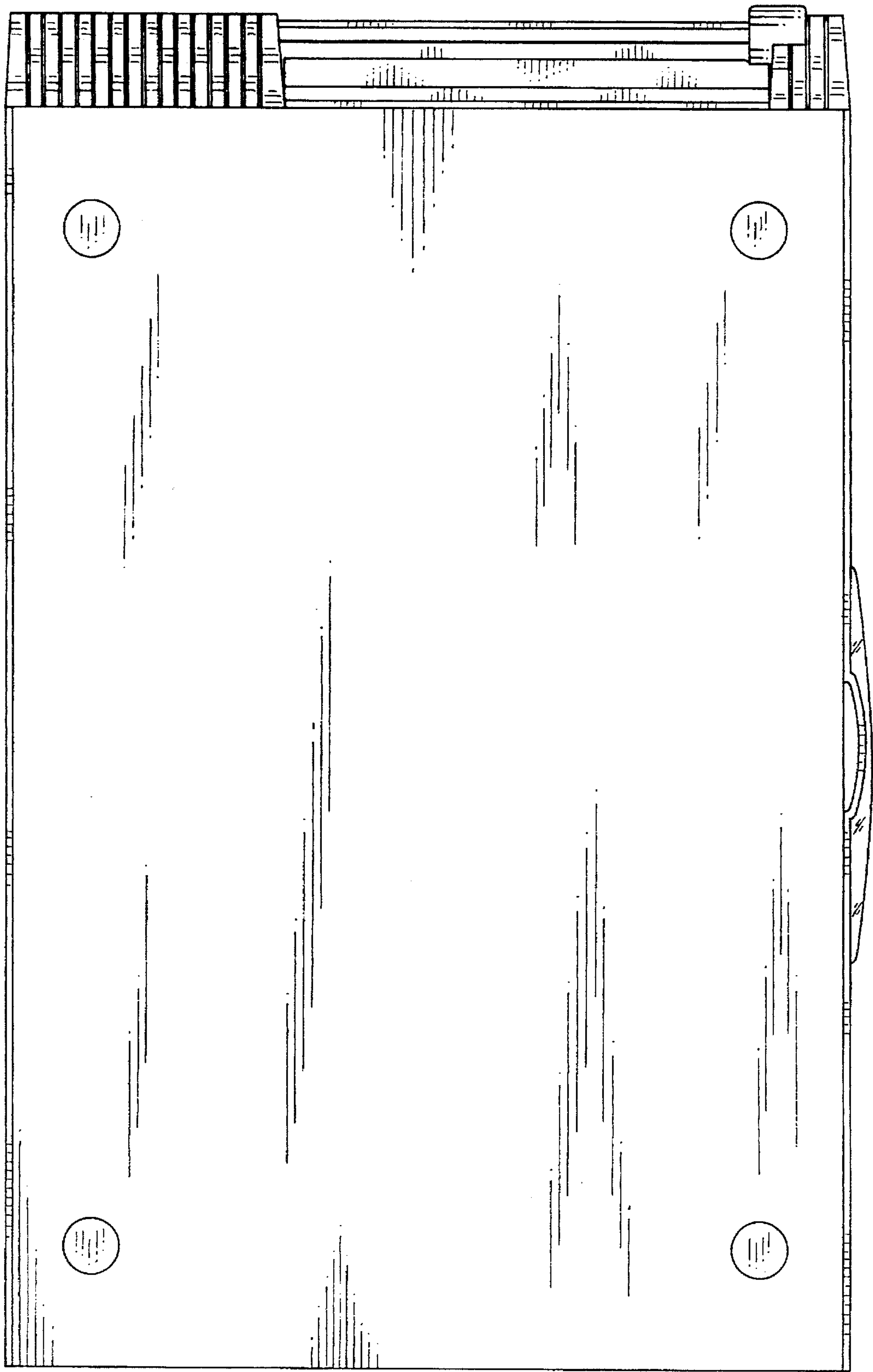


FIG. 5

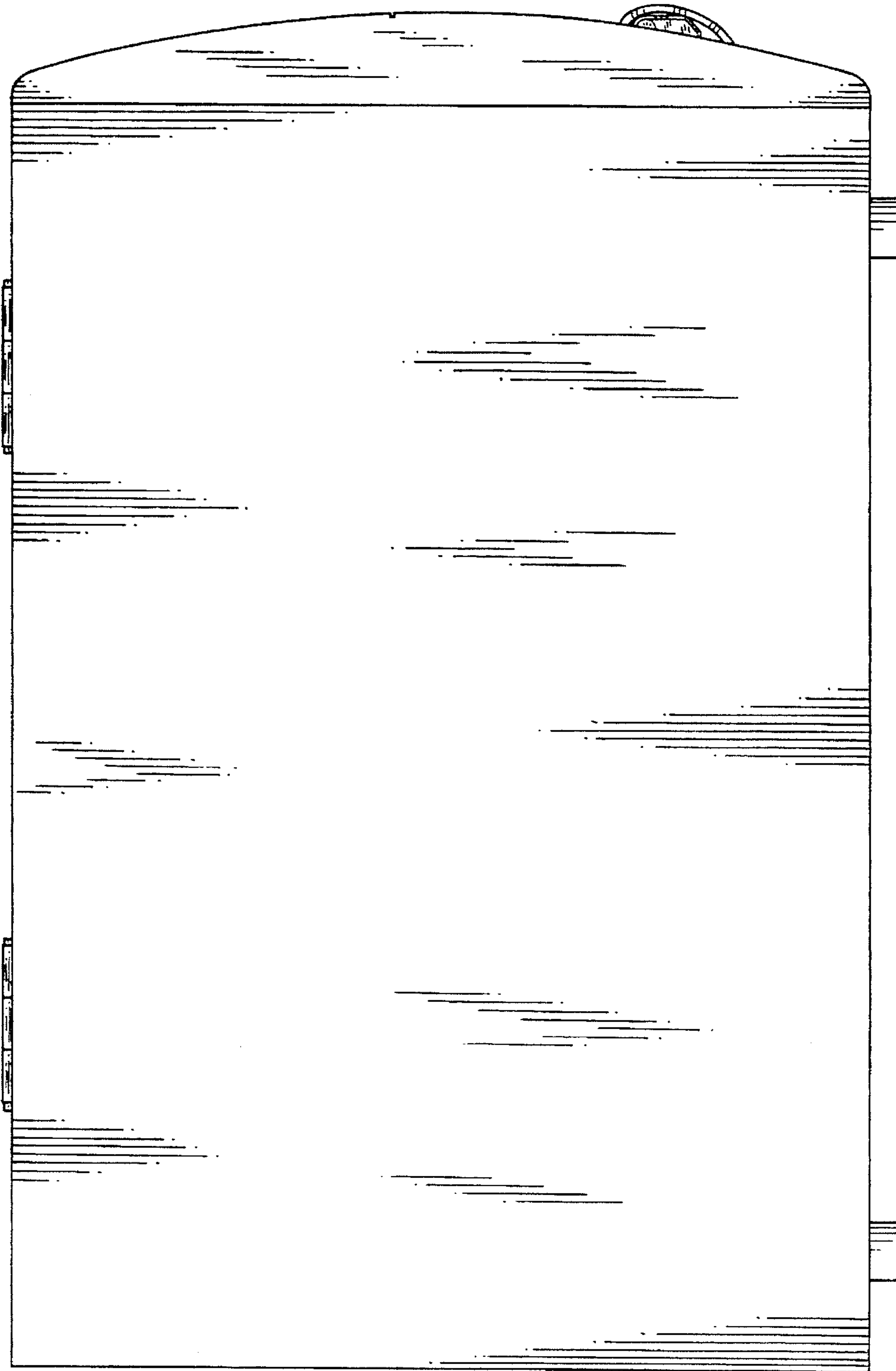


FIG. 6

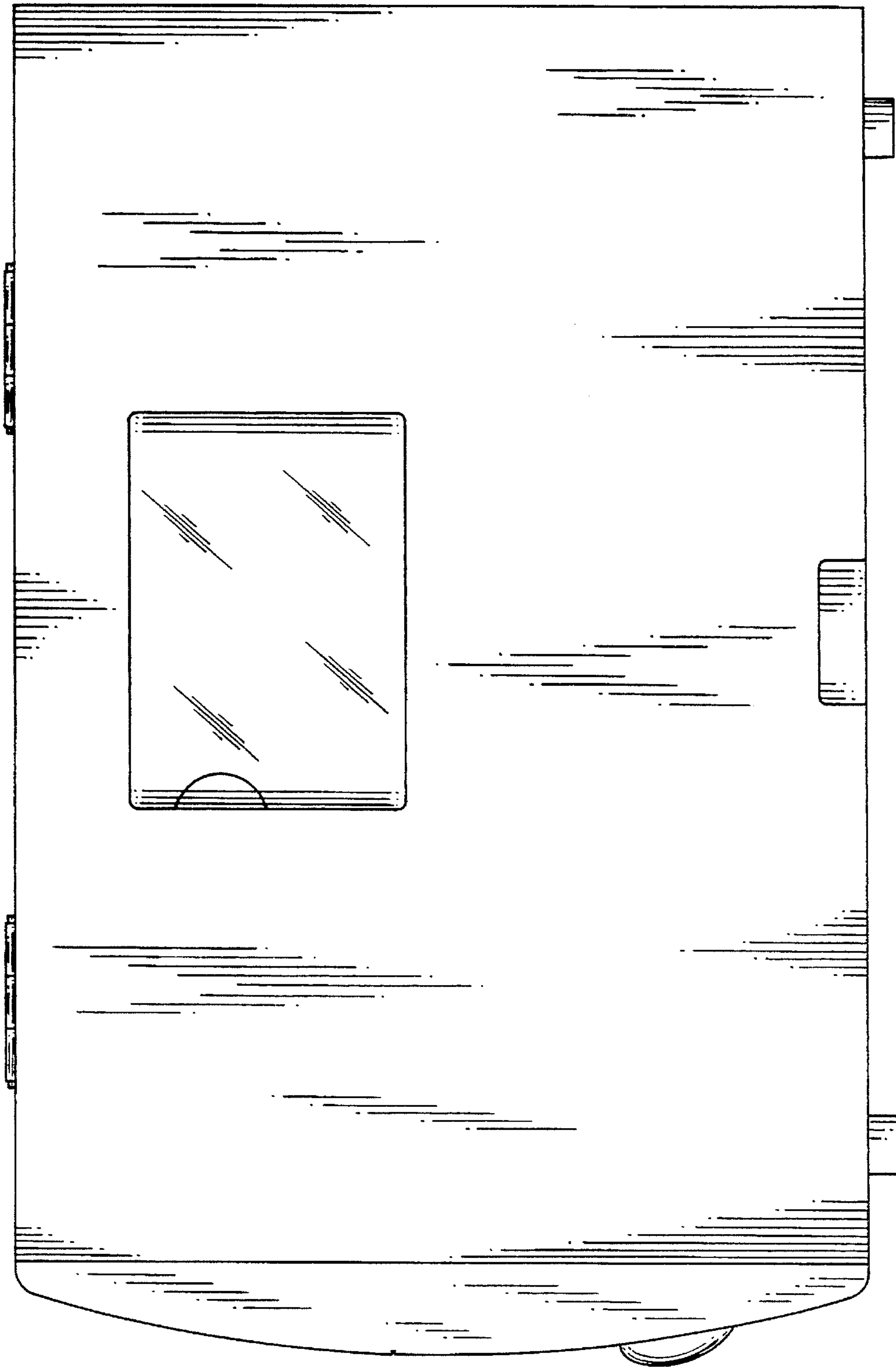


FIG. 7