



US00D362663S

United States Patent [19]

[11] **Patent Number:** **Des. 362,663**

Nguyen

[45] **Date of Patent:** ****Sep. 26, 1995**

[54] **DOCKING STATION FOR A PEN COMPUTER**

D. 354,277 1/1995 Kuzumoto et al. D14/107
5,182,698 1/1993 Kobayashi et al. D14/107 XT

[75] Inventor: **Ken T. Nguyen**, Garden Grove, Calif.

Primary Examiner—Freda S. Nunn
Attorney, Agent, or Firm—Guy W. Shoup; Patrick T. Bever

[73] Assignee: **Alps Electric (USA) Inc.**, San Jose, Calif.

[57] **CLAIM**

[**] Term: **14 Years**

The ornamental design for a docking station for a pen computer, as shown and described.

[21] Appl. No.: **27,338**

DESCRIPTION

[22] Filed: **Aug. 19, 1994**

[52] U.S. Cl. **D14/107**

[58] **Field of Search** D14/100, 107,
D14/114; D13/184, 199; 361/683-686;
364/708.1; 439/95, 284, 357, 372

FIG. 1 is an enlarged top front perspective view of a docking station for a pen computer showing my new design;

FIG. 2 is a top plan view thereof;

FIG. 3 is a front plan view thereof;

FIG. 4 is a back plan view thereof;

FIG. 5 is a side plan view thereof;

FIG. 6 is a side plan view thereof; and,

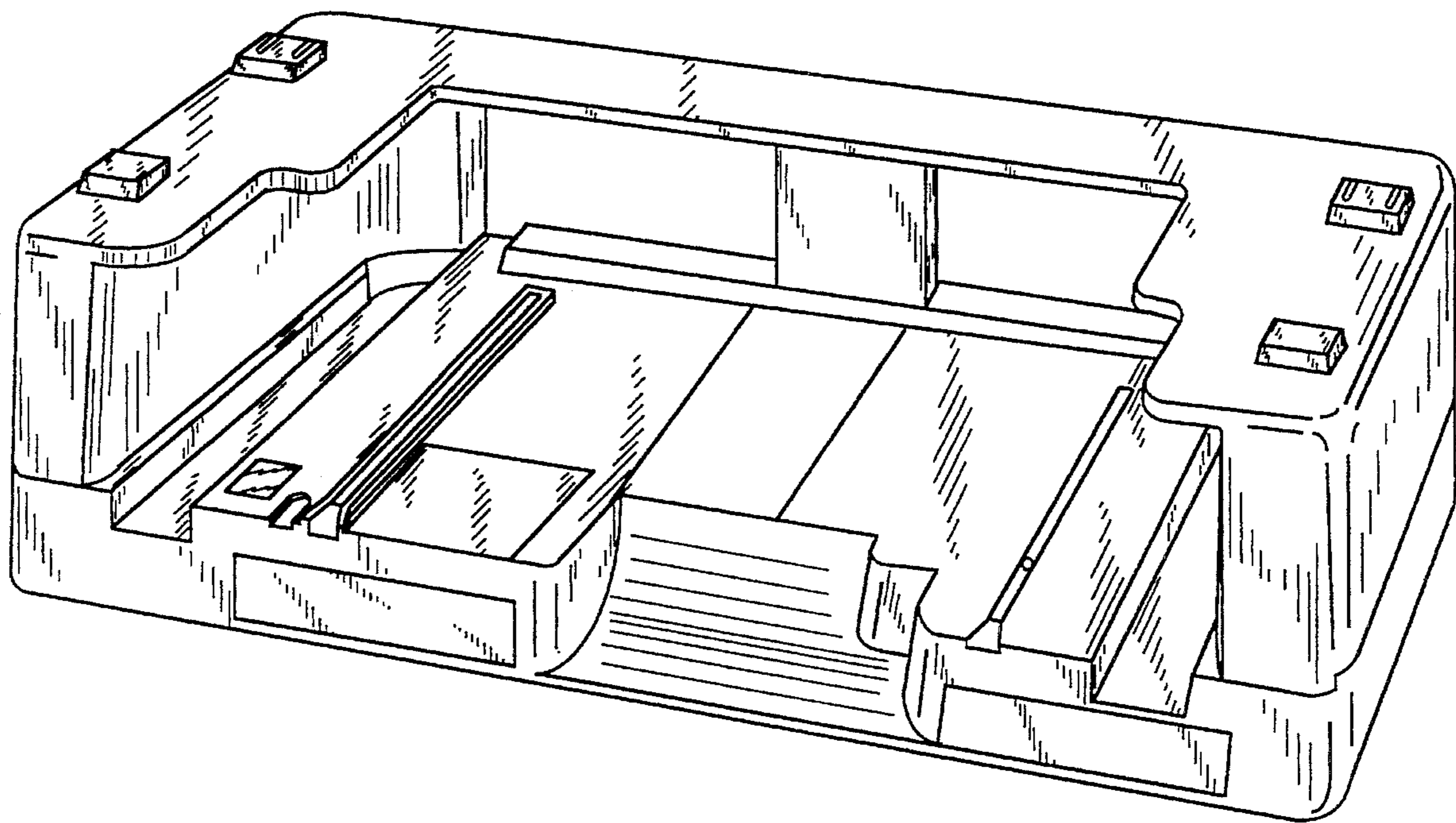
FIG. 7 is a bottom plan view thereof.

[56] **References Cited**

U.S. PATENT DOCUMENTS

D. 341,572 11/1993 Kuroki D14/100
D. 342,060 12/1993 Iino D14/107

1 Claim, 3 Drawing Sheets



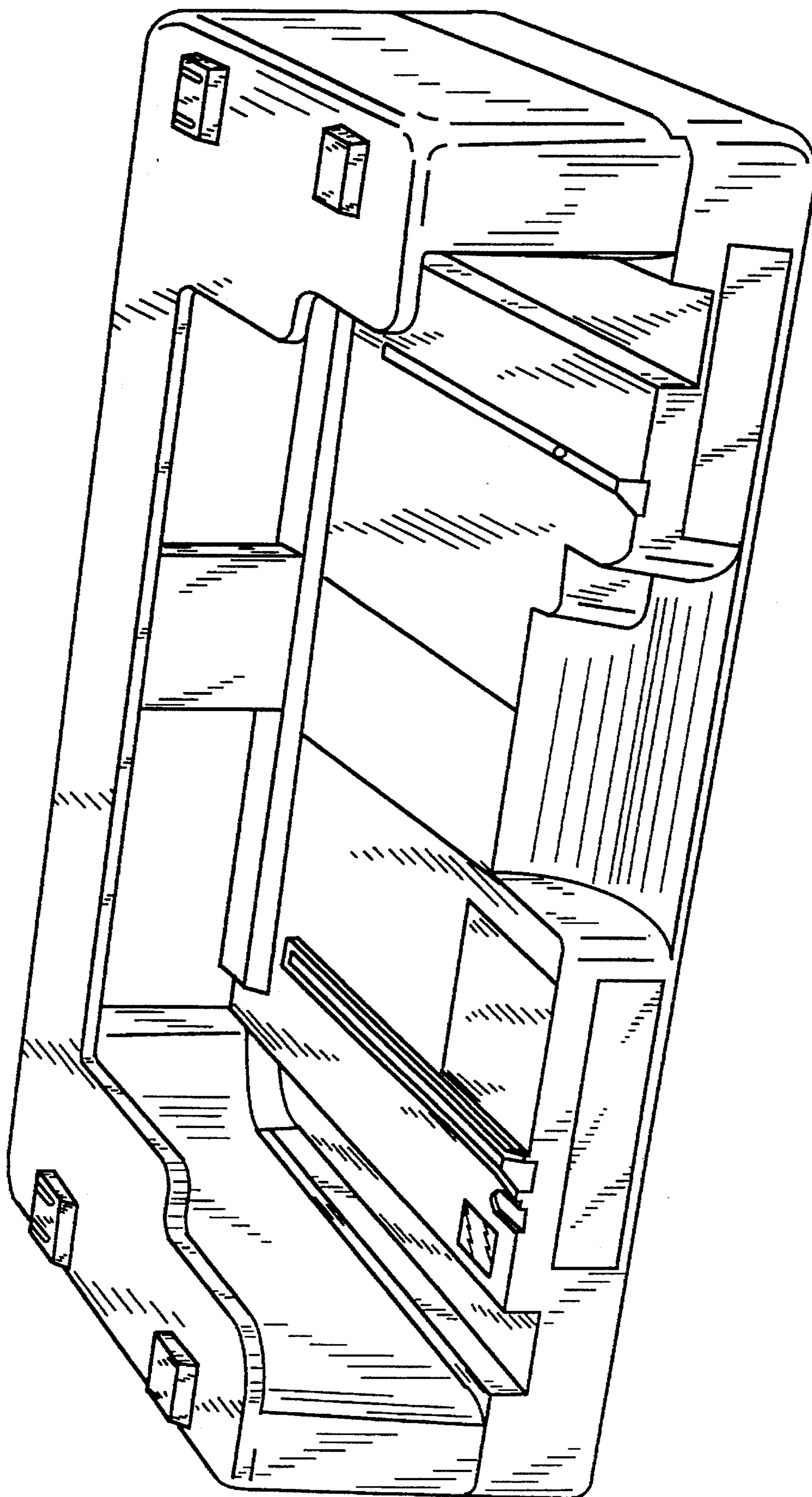


FIG. 1

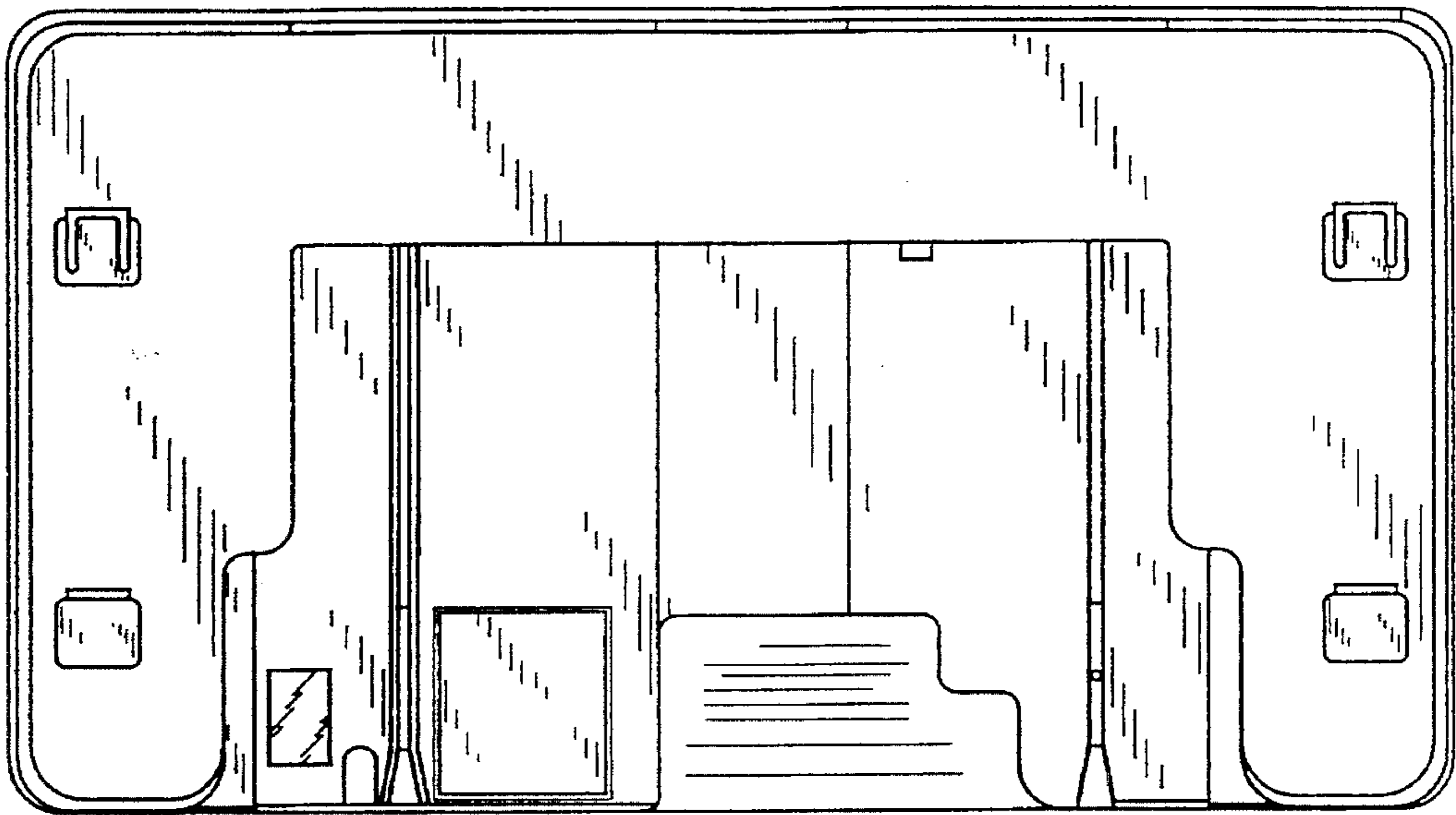


FIG 2

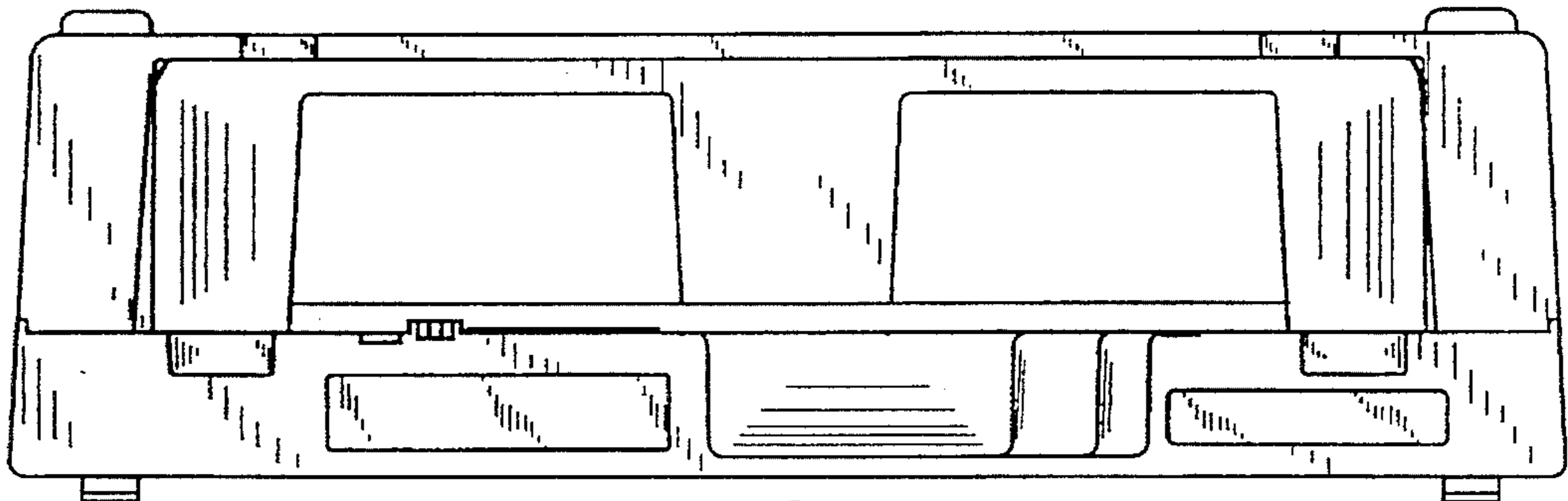


FIG 3

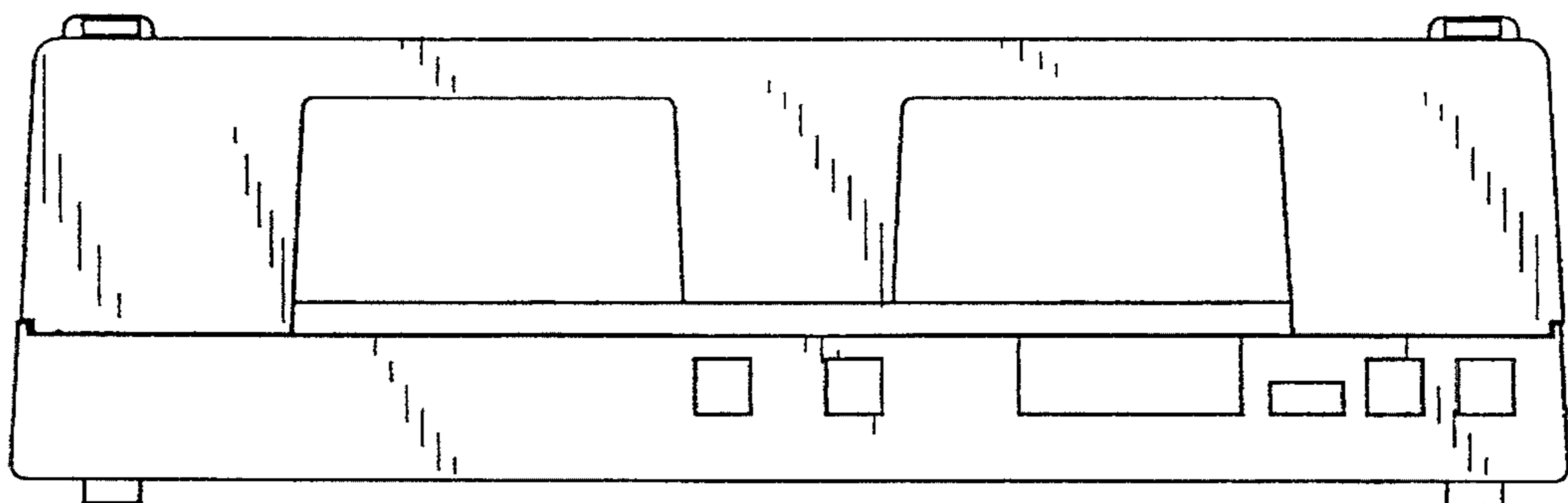


FIG 4

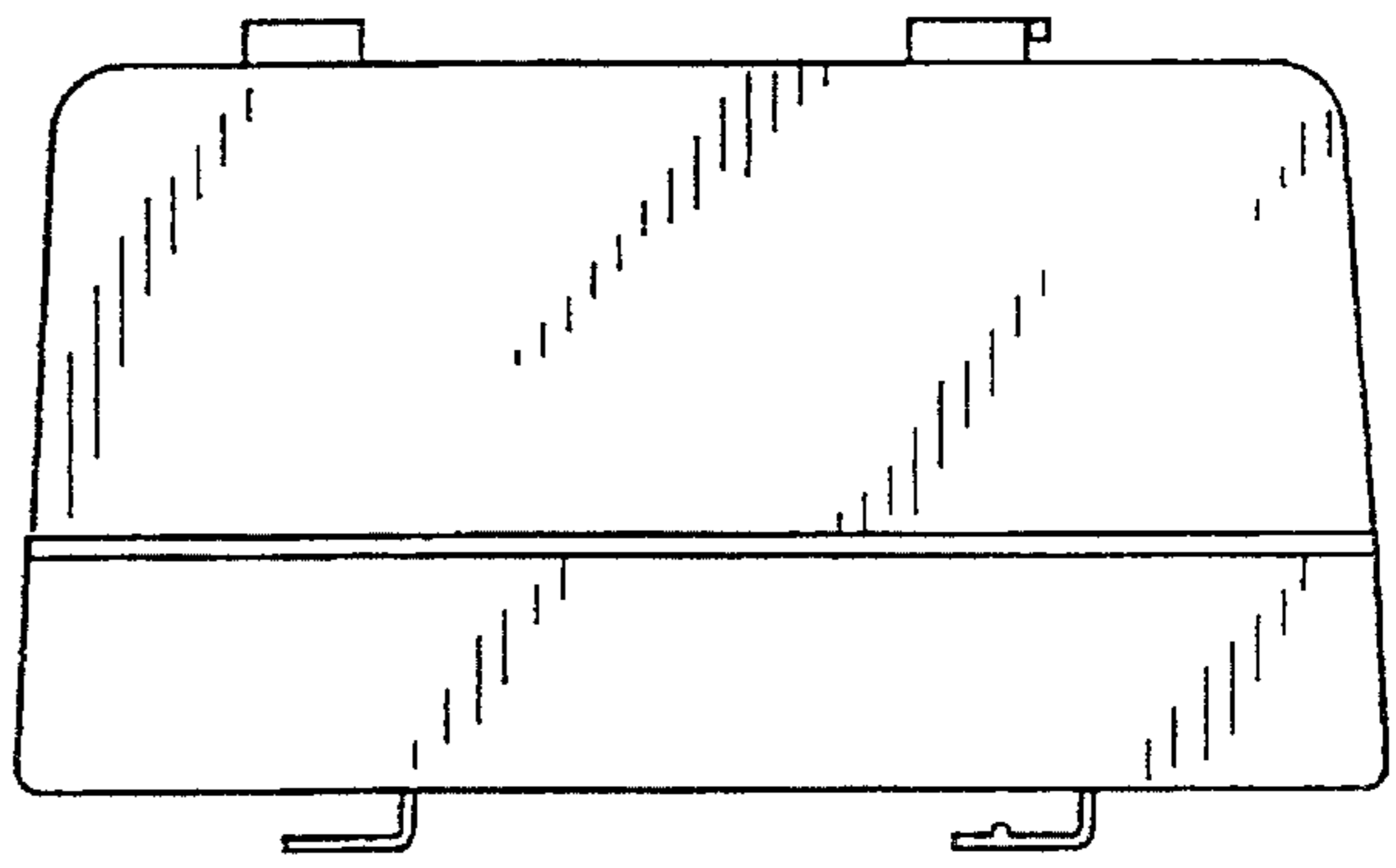


FIG 5

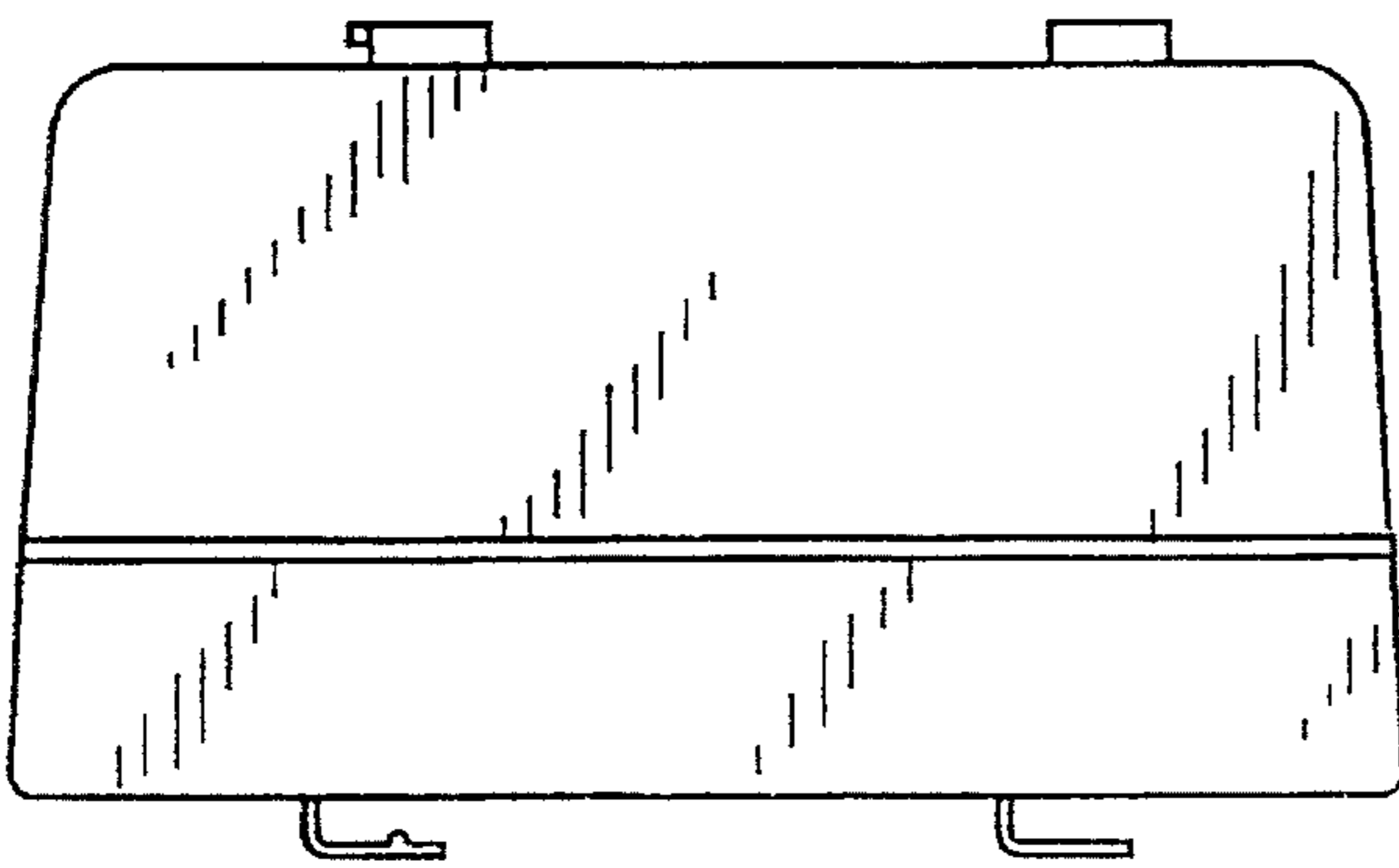


FIG 6

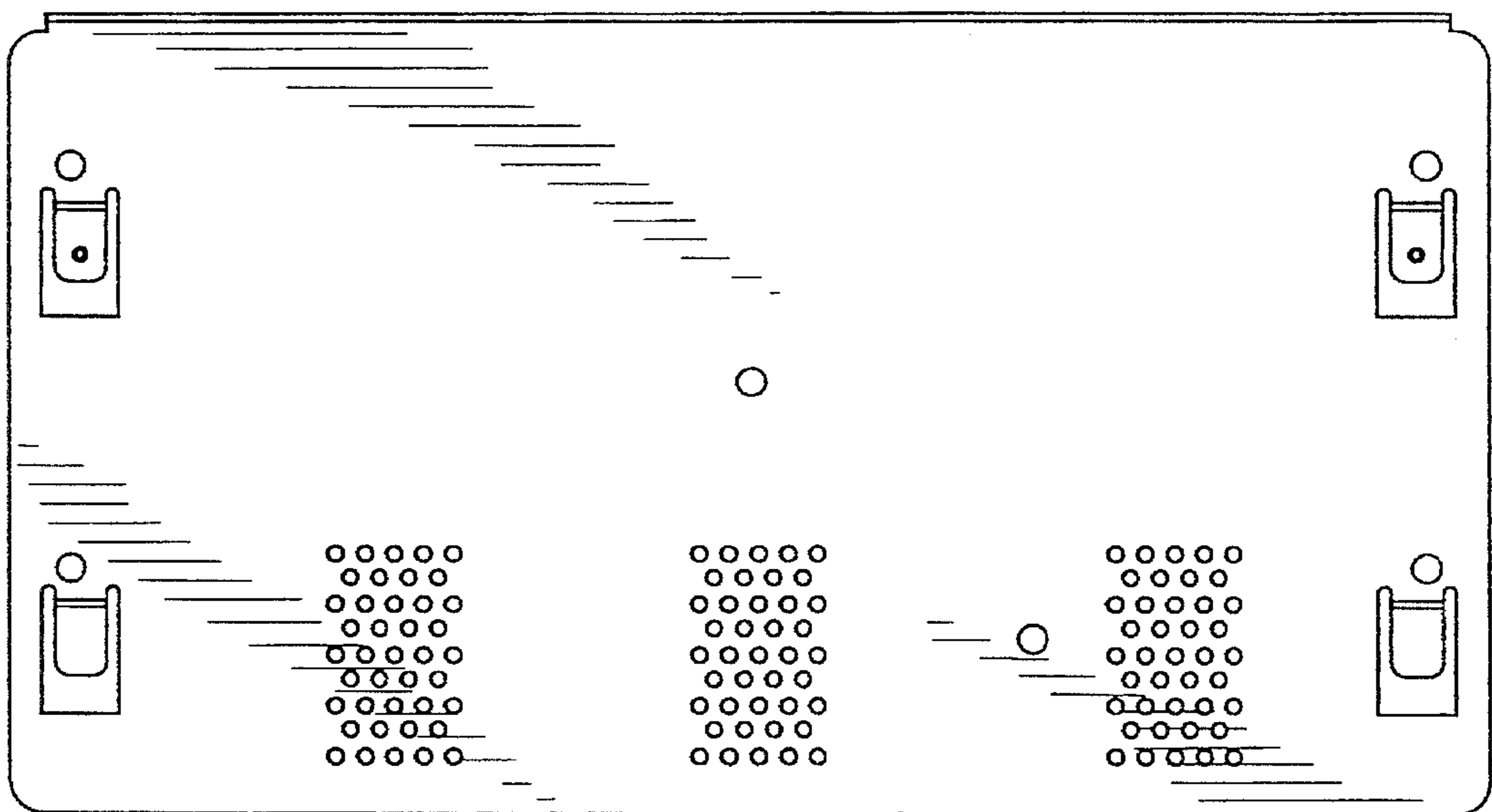


FIG 7