



US00D362660S

United States Patent [19]

[11] Patent Number: **Des. 362,660**

Fromson

[45] Date of Patent: ****Sep. 26, 1995**

[54] **REMOTE CONTROL FOR A BED**

[75] Inventor: **Leonard E. Fromson**, Cerritos, Calif.

[73] Assignee: **Maxwell Products, Inc.**, Cerritos, Calif.

[**] Term: **14 Years**

[21] Appl. No.: **24,621**

[22] Filed: **Jun. 17, 1994**

[52] U.S. Cl. **D13/168**

[58] Field of Search D13/168; D10/106;
D14/218; 200/5 A, 5 R

[56] **References Cited**

U.S. PATENT DOCUMENTS

D. 187,923	5/1960	Przybylowicz	D13/168
D. 266,501	10/1982	Stefanik	D13/168
D. 266,758	11/1982	Johannsen et al.	D14/218 X
D. 293,669	1/1988	Ogilvie	D13/168
5,140,235	8/1992	Ahmed et al.	200/5 R X

Primary Examiner—Joel Sincavage
Attorney, Agent, or Firm—Poms, Smith, Lande & Rose

[57] **CLAIM**

The ornamental design for a remote control for a bed, as shown and described.

DESCRIPTION

FIG. 1 is a perspective view of a remote control for a bed, showing my new design in its closed state;

FIG. 2 is a front plan view of the remote control;

FIG. 3 is a left side elevational view of the remote control;

FIG. 4 is a bottom side elevational view of the remote control;

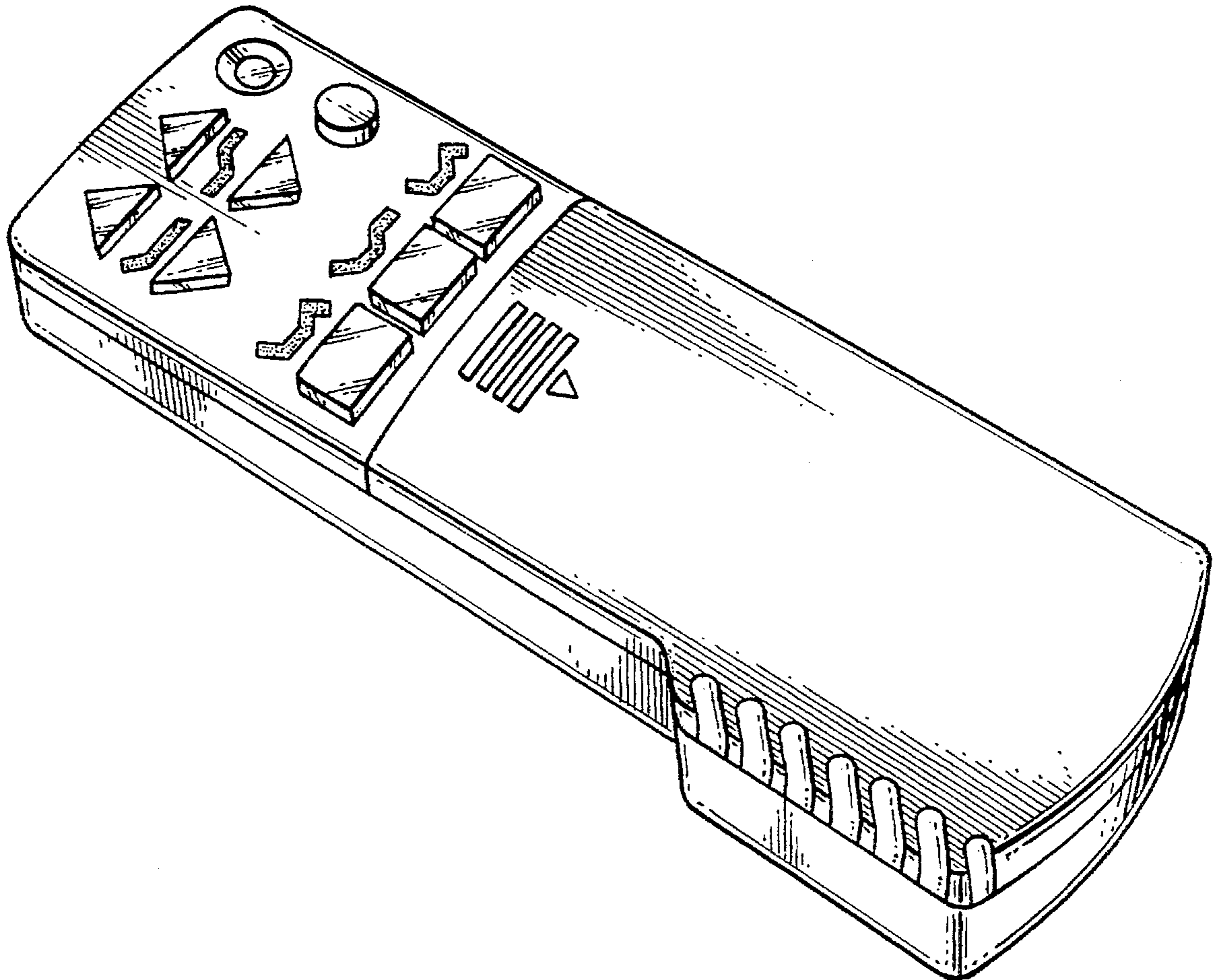
FIG. 5 is a top side elevational view of the remote control;

FIG. 6 is back plan view of the remote control;

FIG. 7 is a right side elevational view of the remote control; and,

FIG. 8 is another perspective view of the remote control for a bed, showing my new design in its open state.

1 Claim, 2 Drawing Sheets



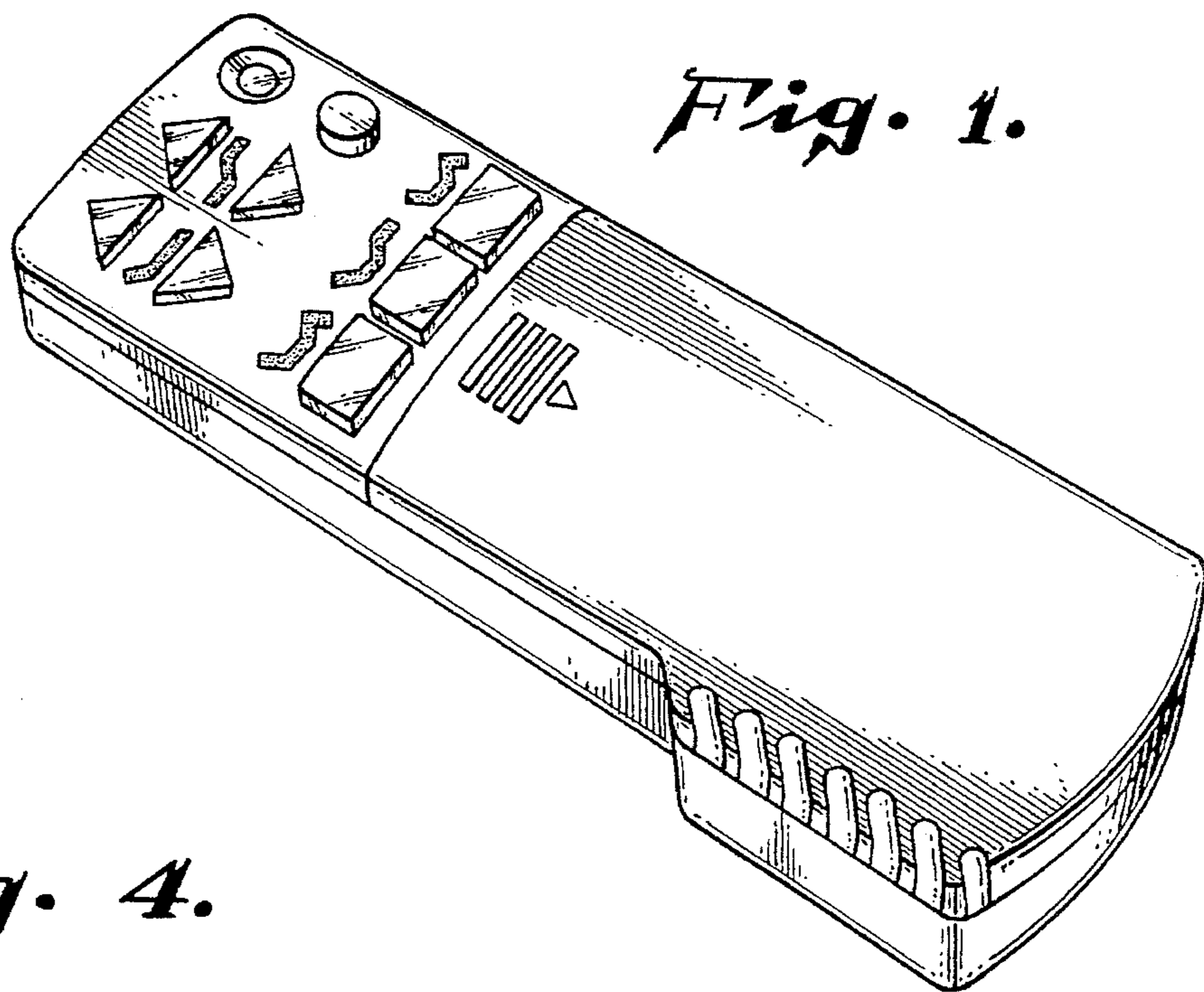


Fig. 4.

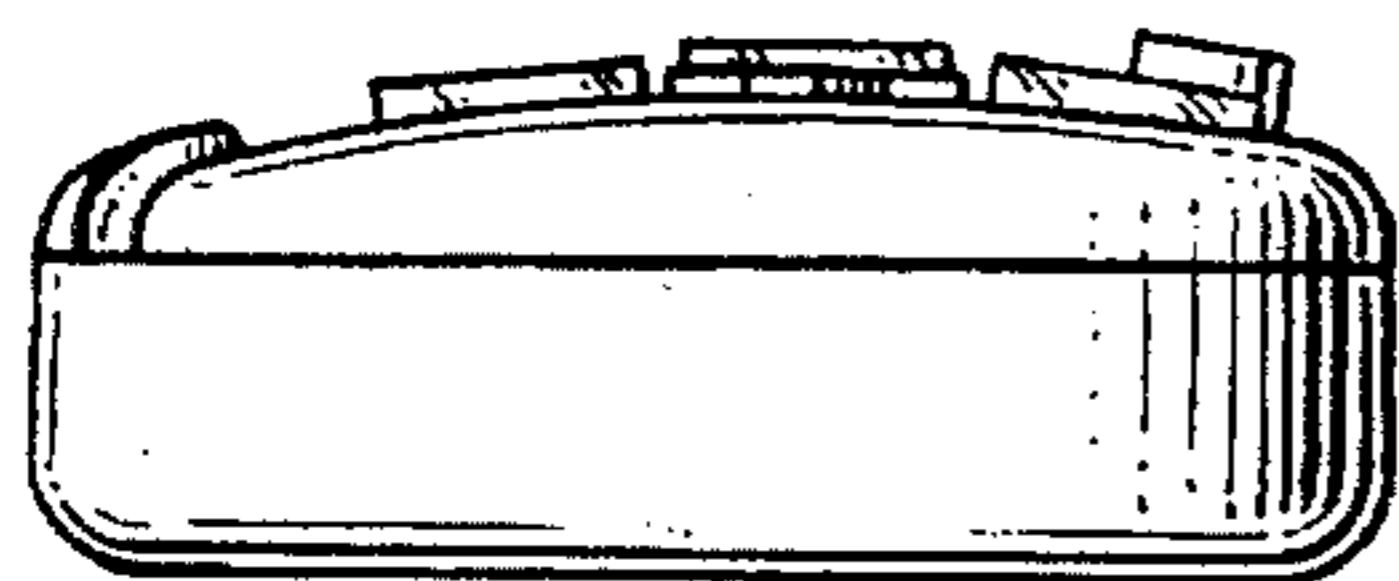


Fig. 2.

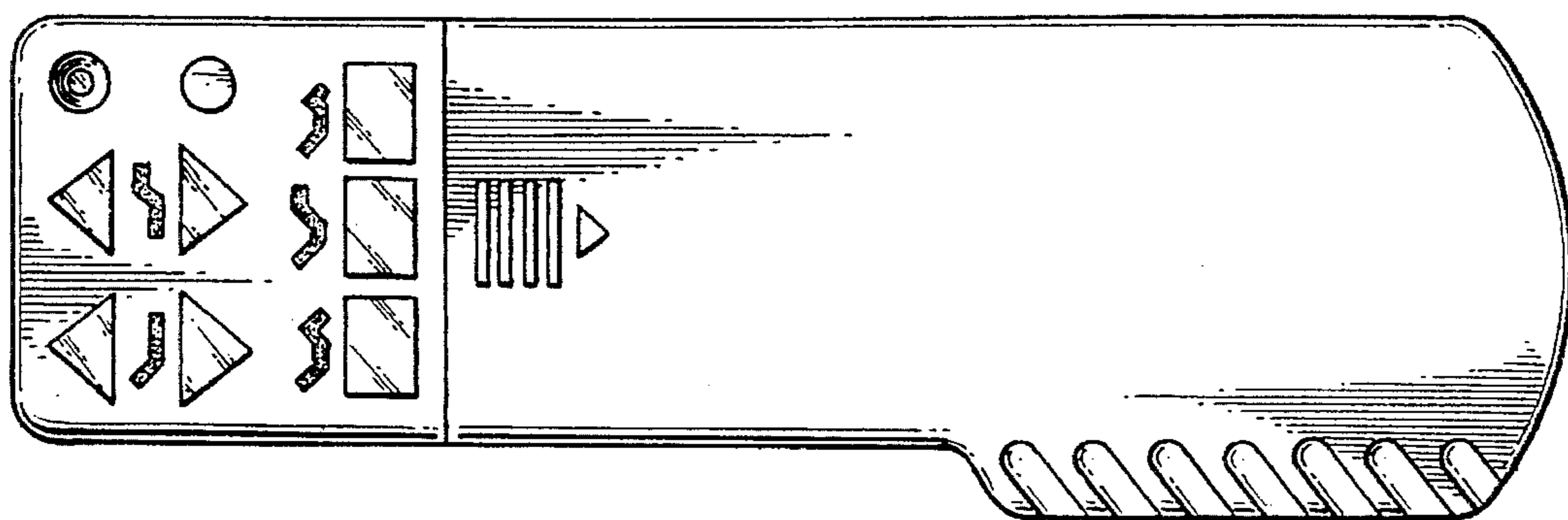


Fig. 3.

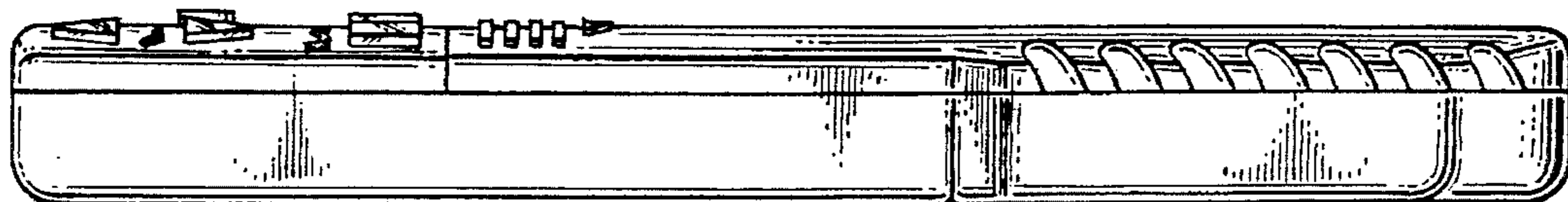


Fig. 5.

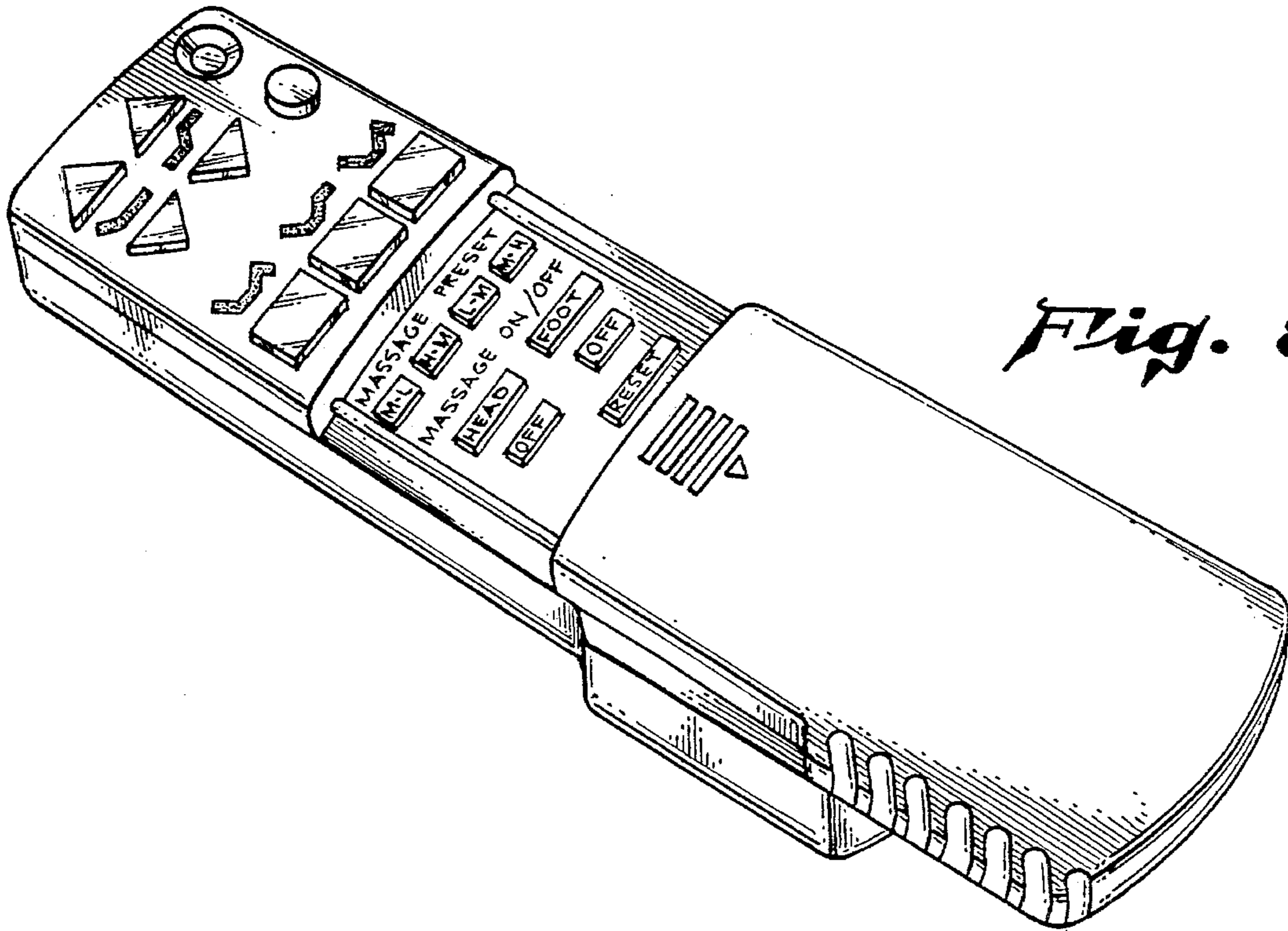
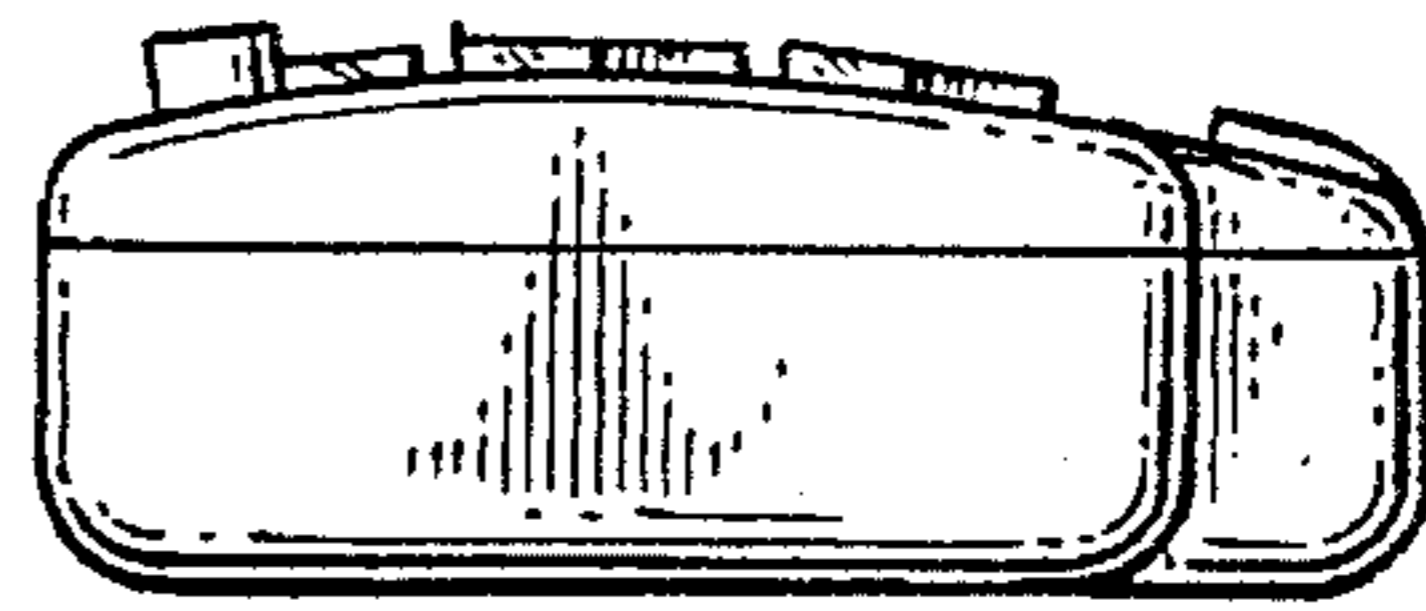


Fig. 8.

Fig. 6.

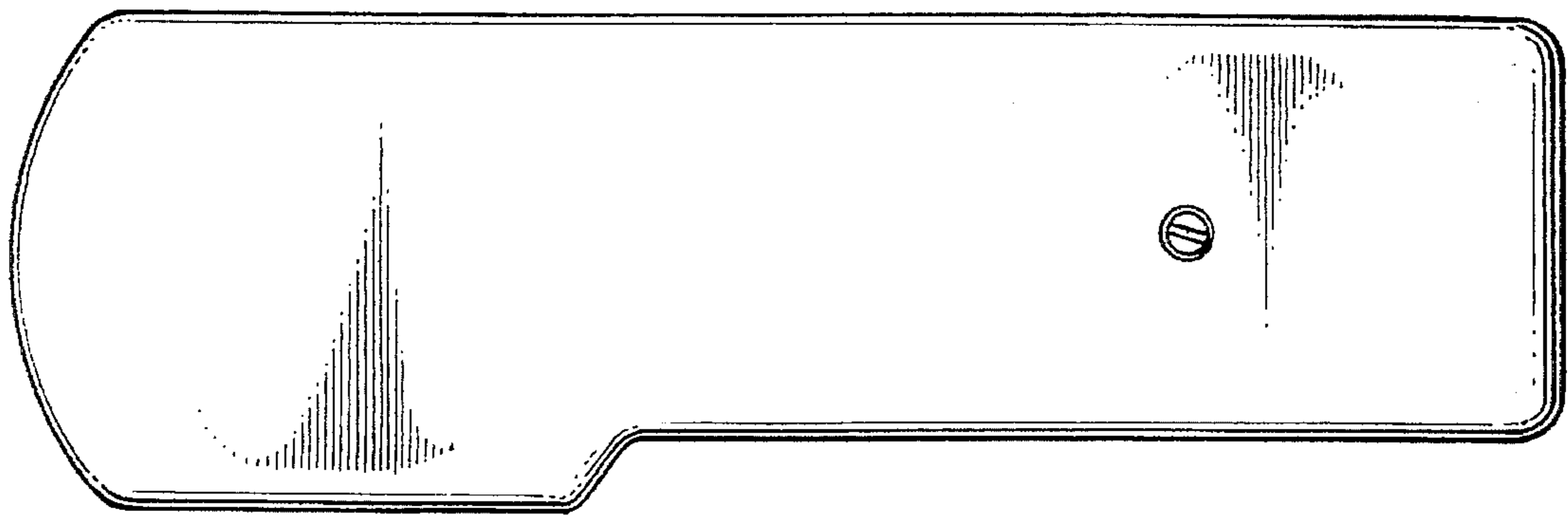


Fig. 7.

