



US00D362658S

United States Patent [19]

[11] Patent Number: **Des. 362,658**

Meagher et al.

[45] Date of Patent: ****Sep. 26, 1995**

[54] **ELECTRIC CONNECTOR**

5,201,661 4/1993 II 439/260 X
5,277,627 1/1994 Matsuzaki 439/76 X

[75] Inventors: **John Meagher**, Hawthorn Woods;
Youngkee Ahn, Buffalo Grove, both of Ill.

OTHER PUBLICATIONS

Molex connector 70229 on p. 78A of *Molex Catalog 980, 2nd edition.*

[73] Assignee: **Motorola, Inc.**, Schaumburg, Ill.

Primary Examiner—Joel Sincavage
Attorney, Agent, or Firm—J. Ray Wood

[**] Term: **14 Years**

[21] Appl. No.: **29,039**

[57] **CLAIM**

The ornamental design for the electric connector, as shown and described.

[22] Filed: **Sep. 28, 1994**

[52] U.S. Cl. **D13/147**

[58] Field of Search D13/146, 147;
439/59, 67, 76, 78, 79, 80, 82, 248, 260,
358, 552, 555, 562, 567, 571, 572, 844

DESCRIPTION

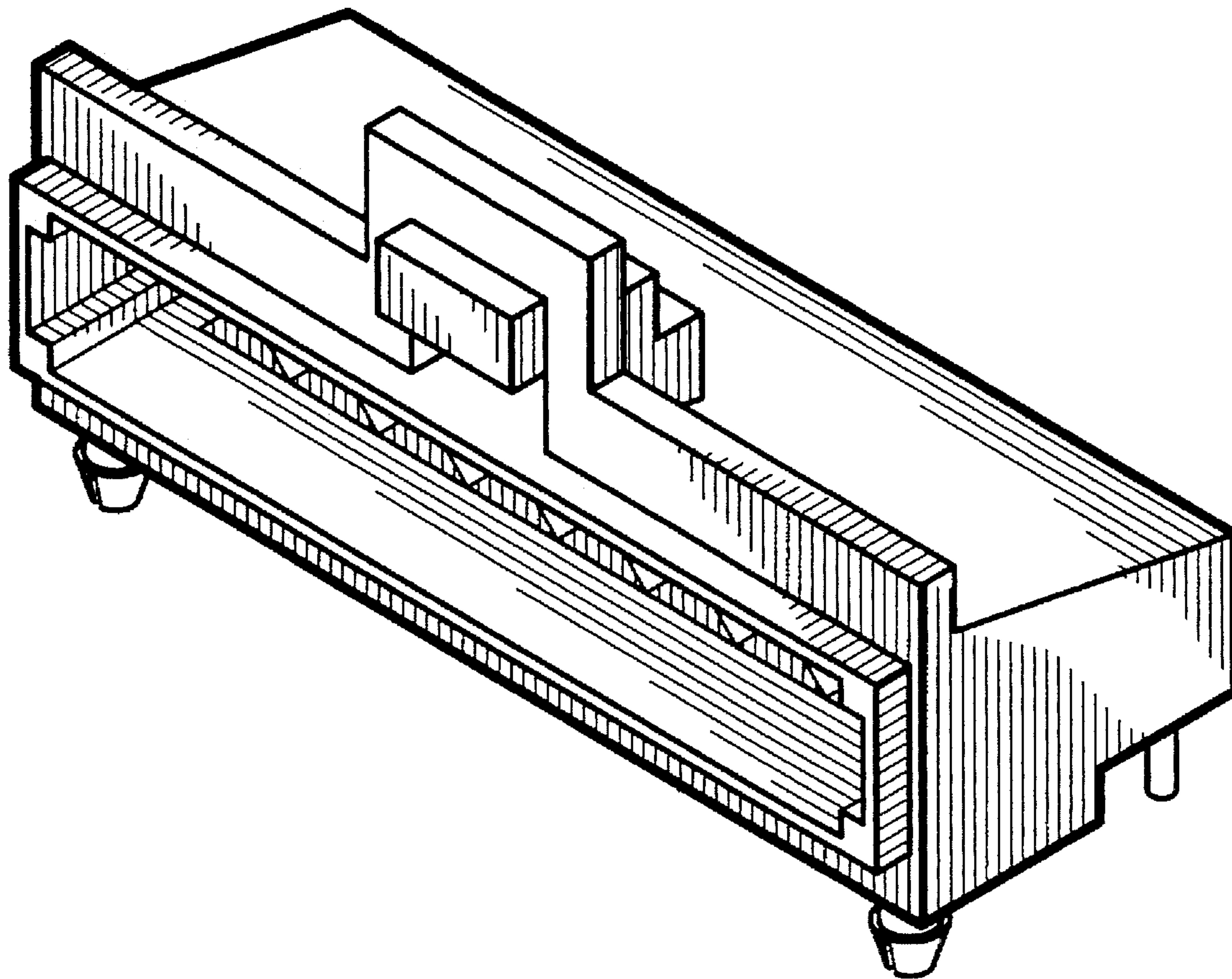
FIG. 1 is a top, right, front perspective view;
FIG. 2 is a left elevation view;
FIG. 3 is a rear elevation view;
FIG. 4 is a bottom plan view; and,
FIG. 5 is a front elevational view.

[56] **References Cited**

U.S. PATENT DOCUMENTS

4,790,761 12/1988 Sonobe 439/59
5,044,988 9/1991 Hirayama 439/571
5,100,339 3/1992 Sato et al. 439/358 X

1 Claim, 1 Drawing Sheet



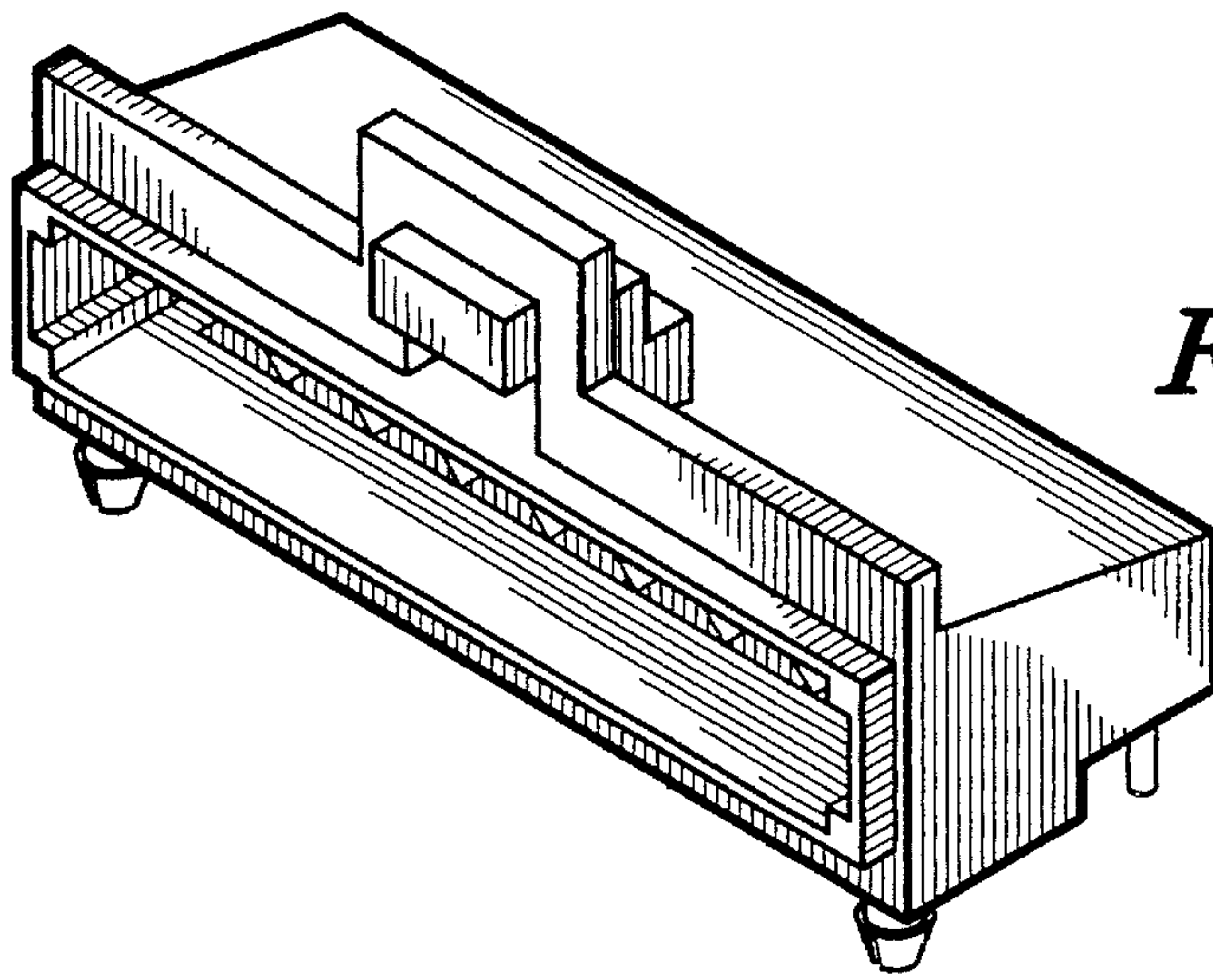


FIG. 1

FIG. 2

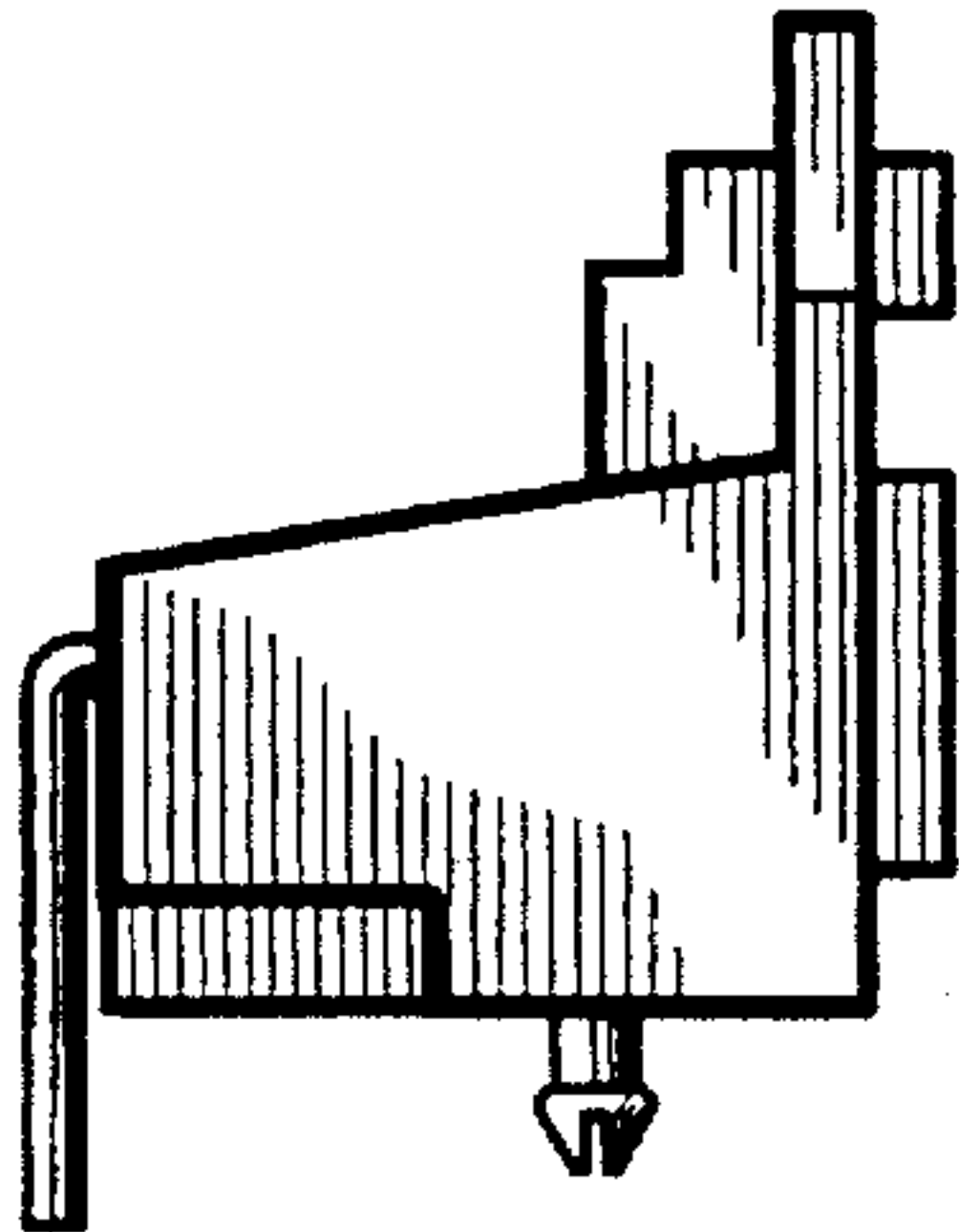


FIG. 3

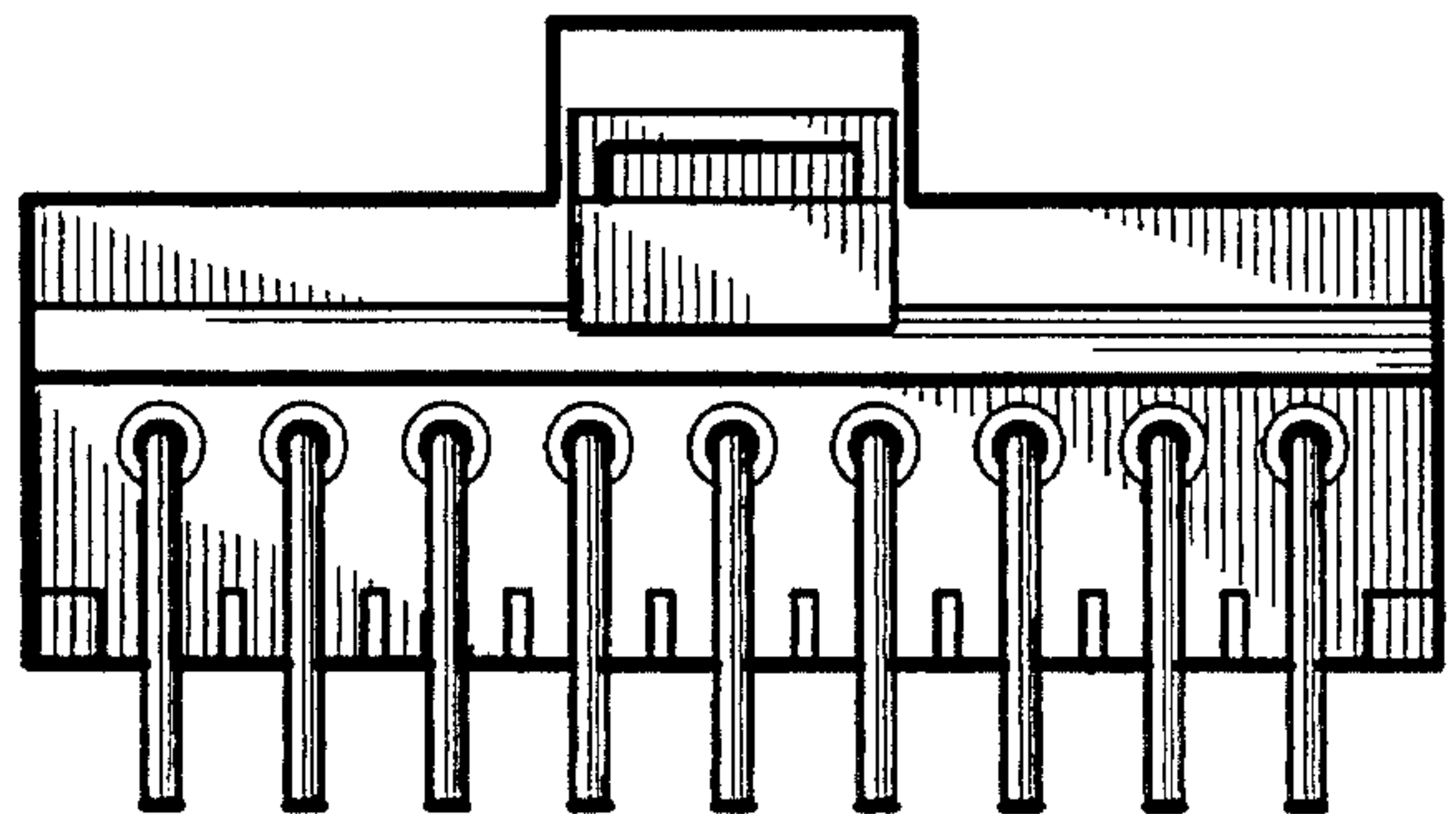


FIG. 4

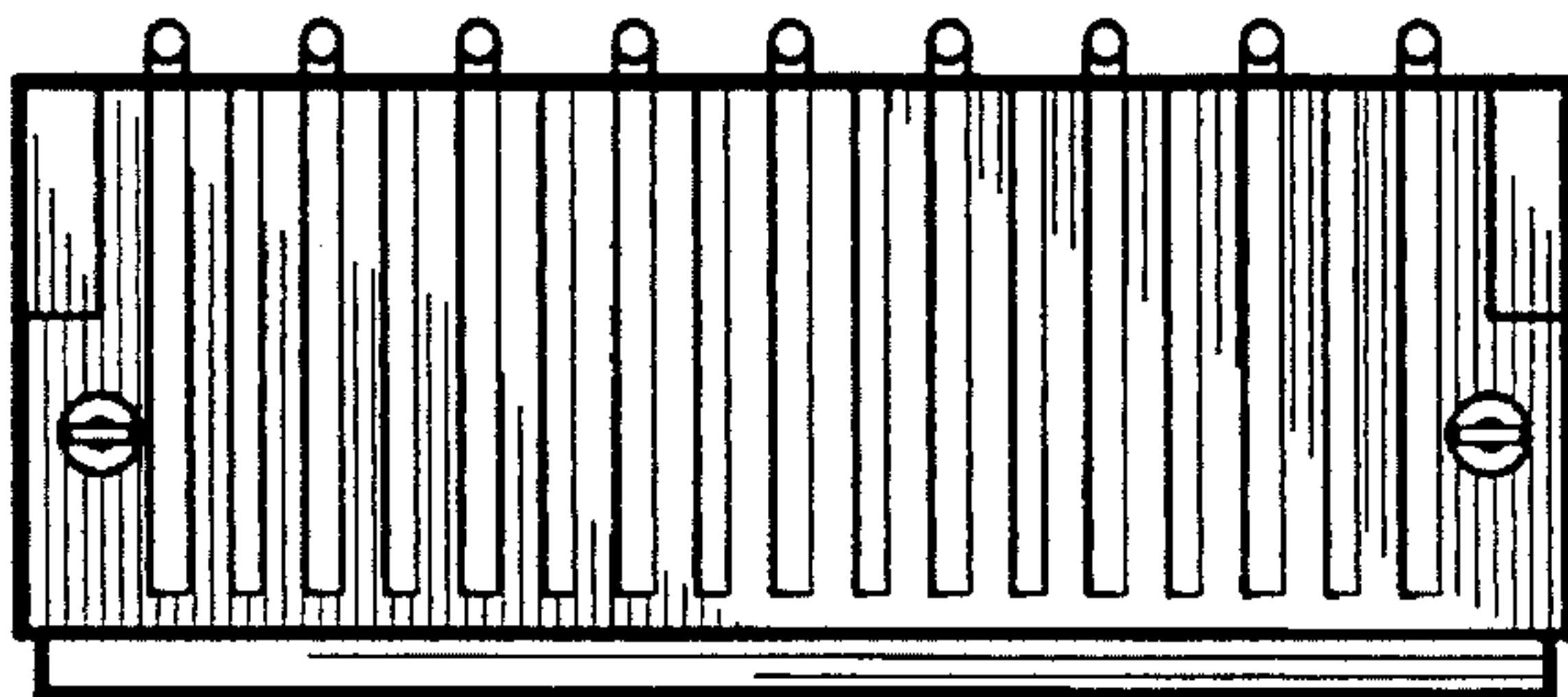


FIG. 5

