



US00D362657S

# United States Patent [19]

[11] Patent Number: **Des. 362,657**

Tomikawa et al.

[45] Date of Patent: **\*\*Sep. 26, 1995**

[54] **VEHICLE POWER ADAPTER WITH VOLTAGE DROPPER**

D. 345,960 4/1994 Boyd et al. .... D13/144  
D. 349,096 7/1994 Hyvonen ..... D13/144 X

[75] Inventors: **Arifumi Tomikawa; Eiichi Ikeda; Masanobu Nakamura**, all of Kawasaki, Japan

*Primary Examiner*—Joel Sincavage  
*Attorney, Agent, or Firm*—Foley & Lardner

[73] Assignee: **Oki Electric Cable Co., Ltd.**, Kawasaki, Japan

[57] **CLAIM**

[\*\*] Term: **14 Years**

The ornamental design for a vehicle power adapter with voltage dropper, as shown and described.

[21] Appl. No.: **32,101**

**DESCRIPTION**

[22] Filed: **Dec. 6, 1994**

FIG. 1 is a front perspective view of a vehicle power adapter with voltage dropper showing the new design;

[30] **Foreign Application Priority Data**

FIG. 2 is a front elevation thereof;

Jun. 17, 1994 [JP] Japan ..... 6-18046

FIG. 3 is a rear elevation thereof;

[52] U.S. Cl. .... **D13/144; D13/110**

FIG. 4 is a right side elevation thereof;

[58] Field of Search ..... D13/110, 144; 439/638, 668

FIG. 5 is a left side elevation thereof;

[56] **References Cited**

FIG. 6 is a top plan view thereof; and,

FIG. 7 is a bottom plan view thereof.

**U.S. PATENT DOCUMENTS**

D. 341,123 11/1993 Hakanen et al. .... D13/144 X

**1 Claim, 5 Drawing Sheets**

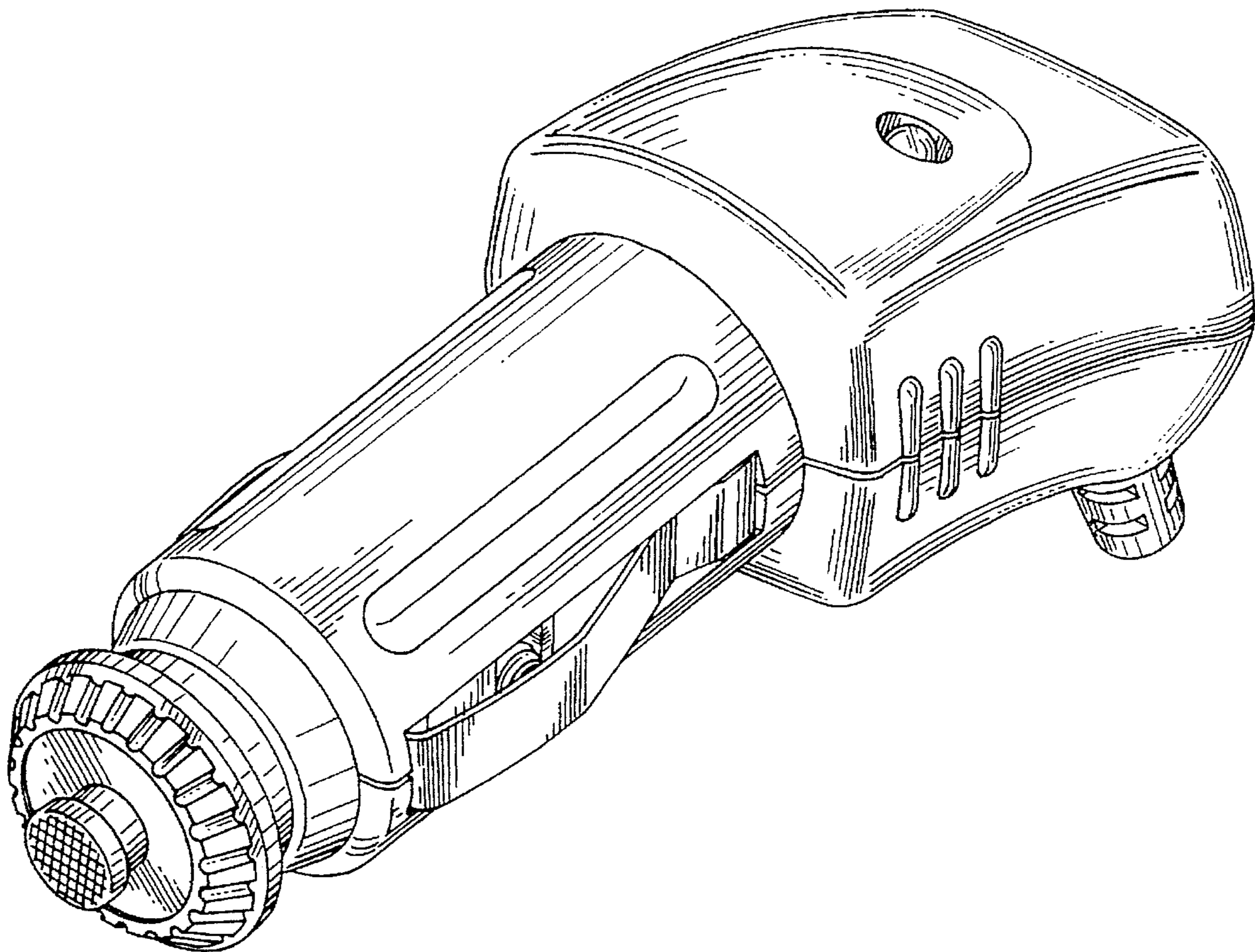
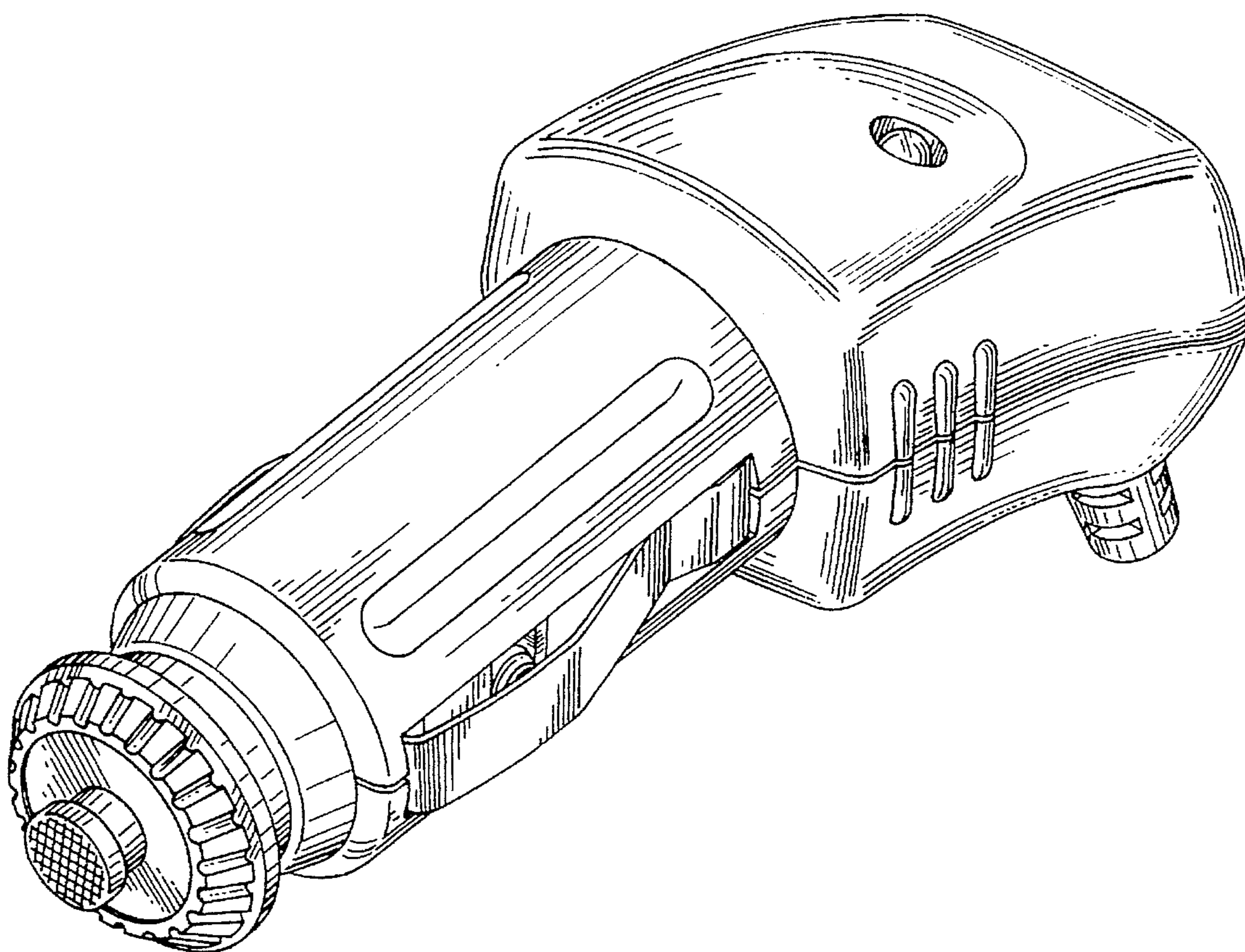
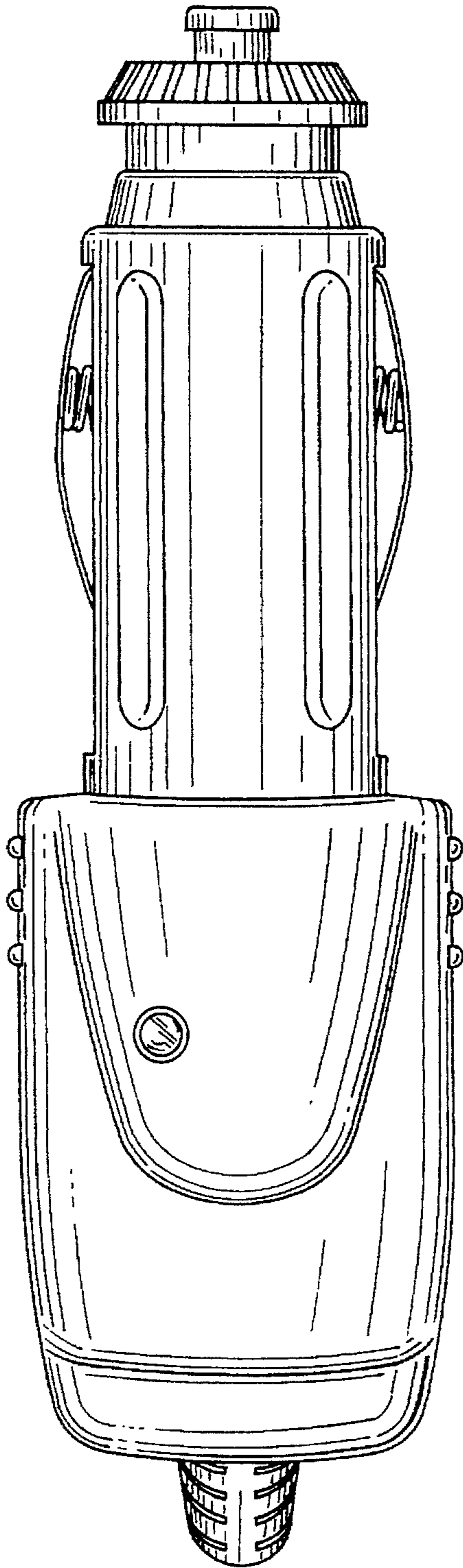


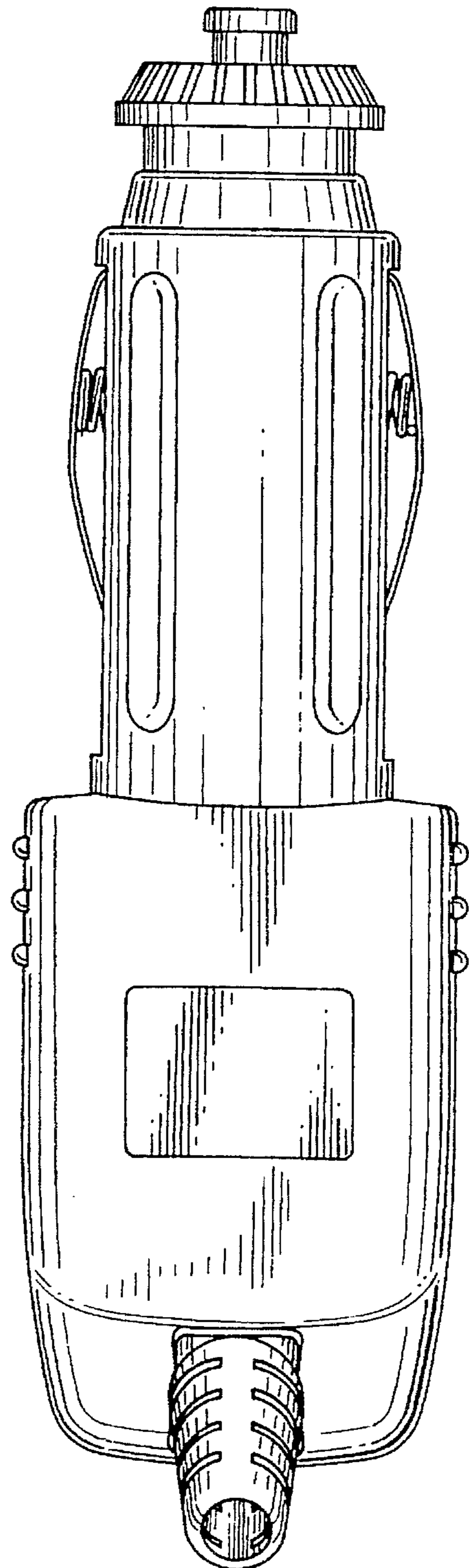
FIG. 1



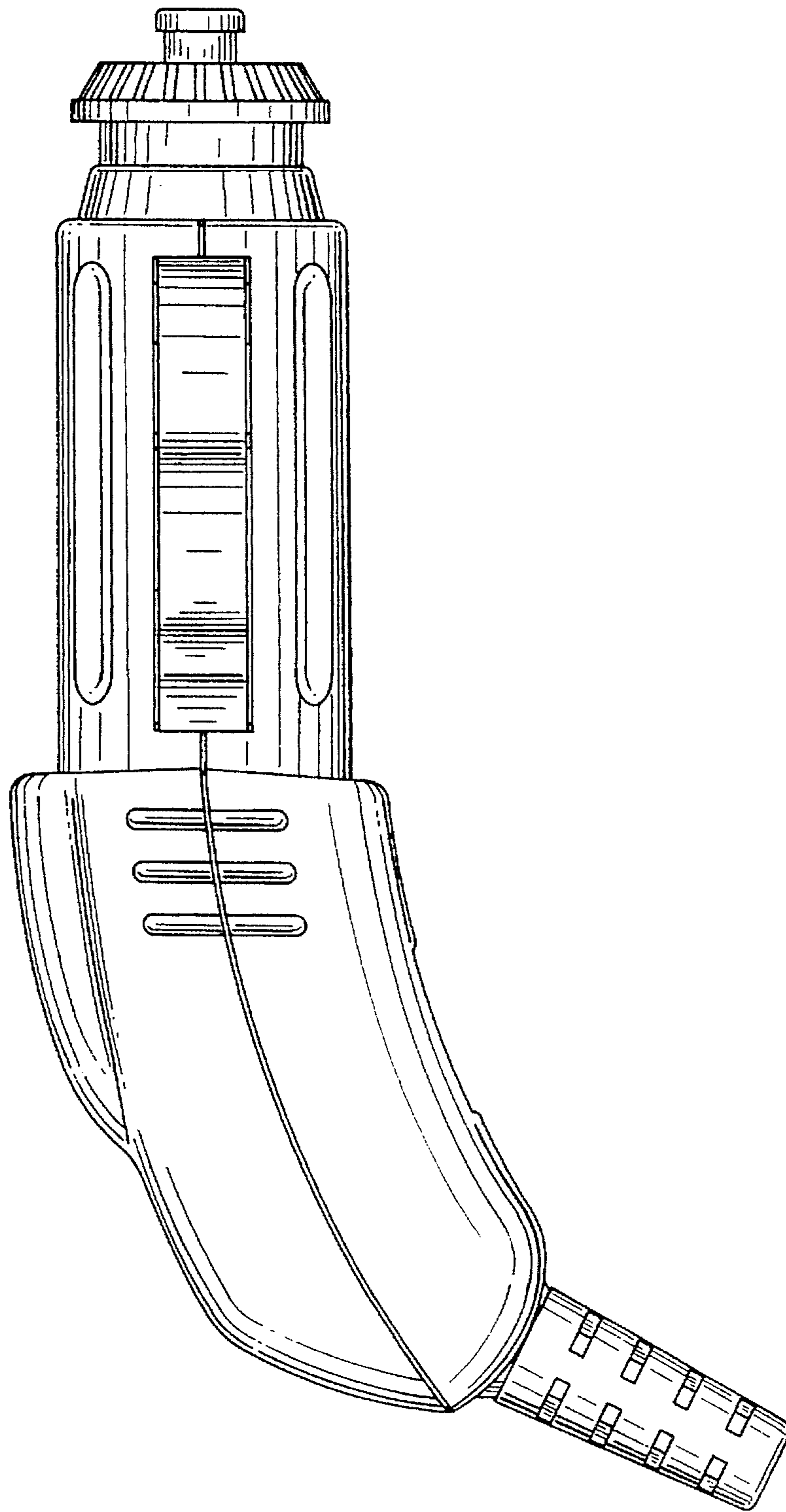
**FIG.2**



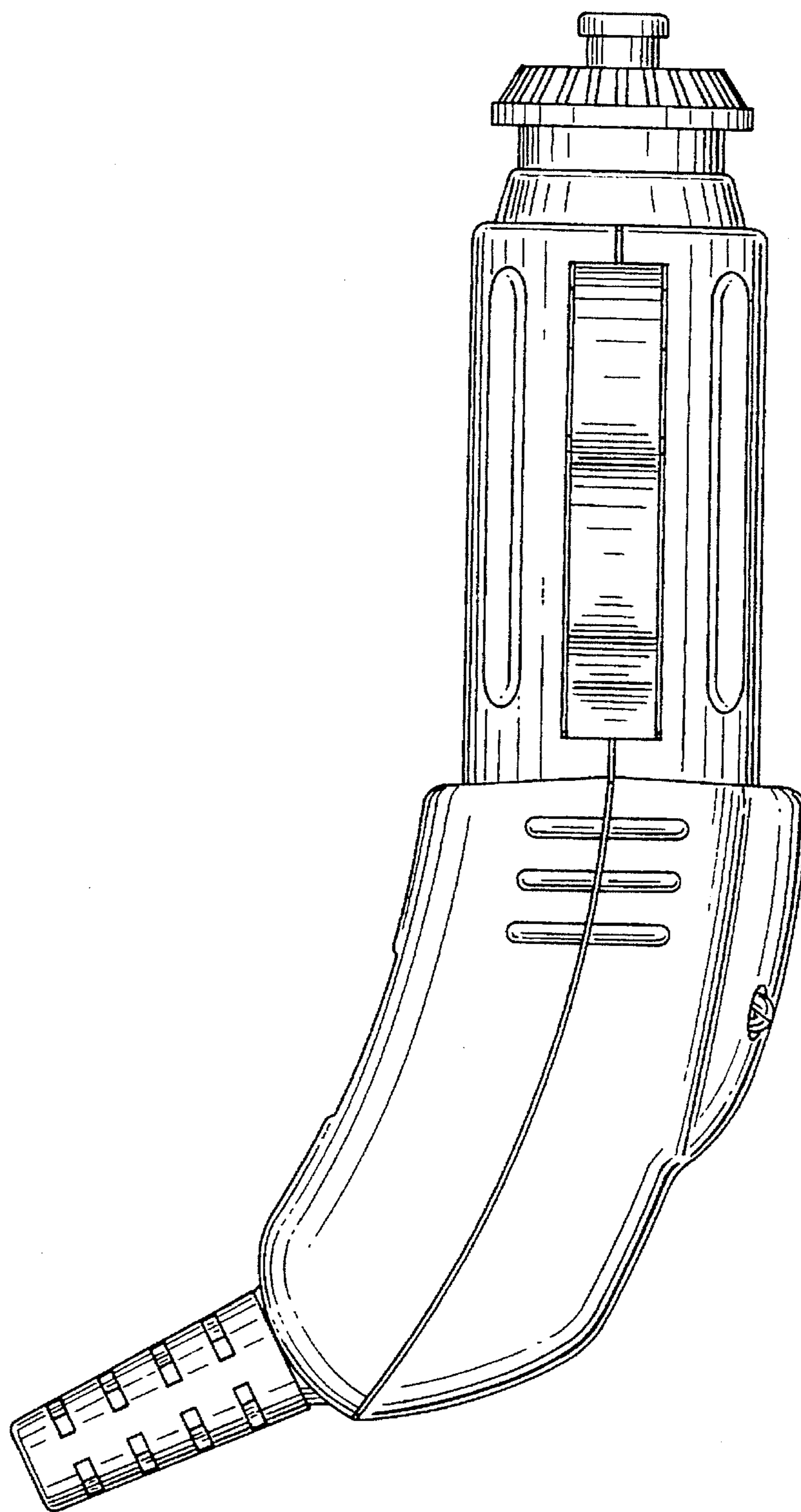
**FIG.3**



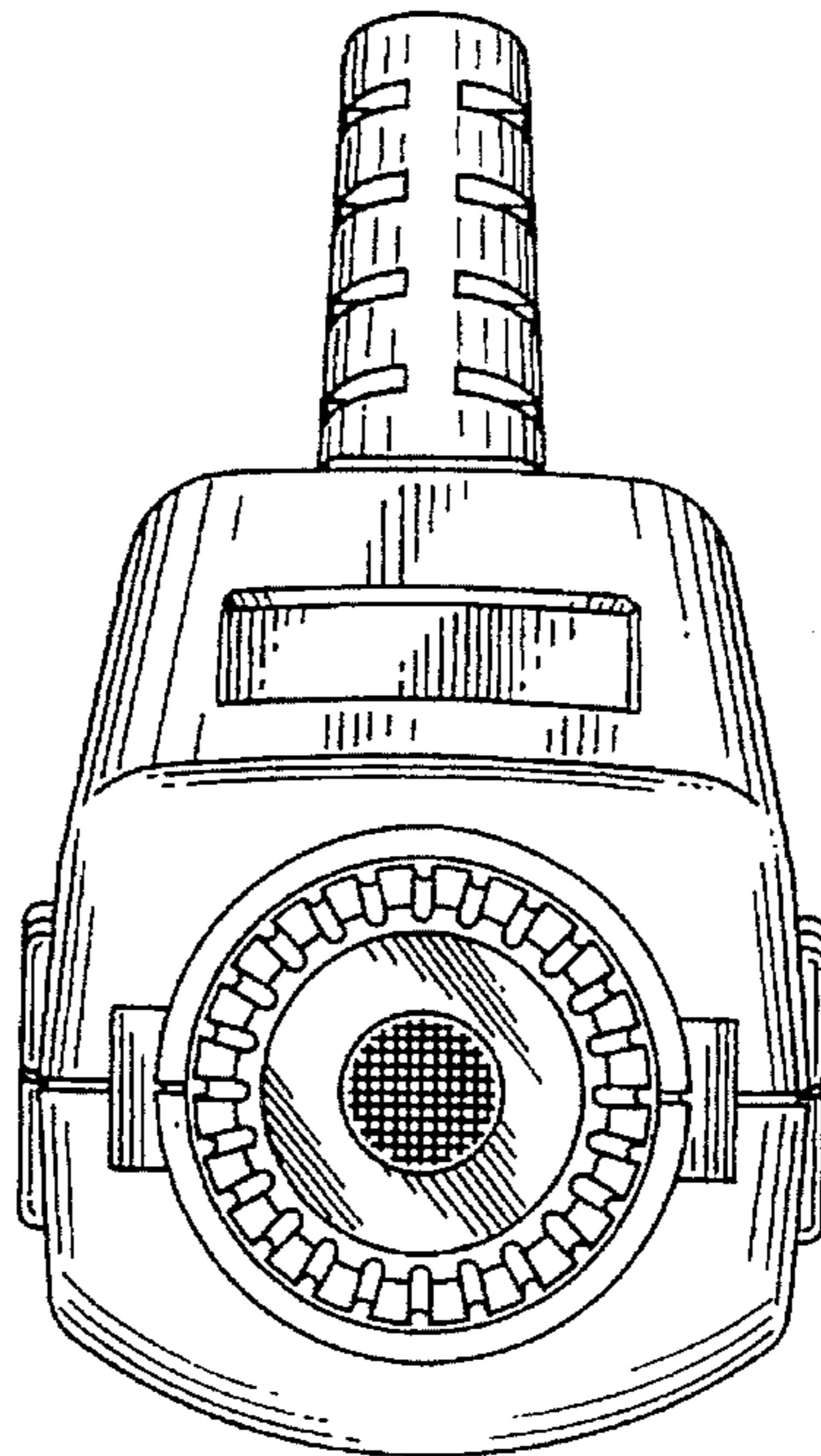
**FIG.4**



# FIG. 5



**FIG.6**



**FIG.7**

