



US00D362656S

# United States Patent [19]

[11] Patent Number: **Des. 362,656**

Roos et al.

[45] Date of Patent: **\*\*Sep. 26, 1995**

[54] **WEDGE BASE LAMPHOLDER FOR USE ON TRACK**

[75] Inventors: **Scott L. Roos**, Glenview; **Thomas J. DeCicco**, Arlington Heights, both of Ill.

[73] Assignee: **Juno Lighting, Inc.**, Des Plaines, Ill.

[\*\*] Term: **14 Years**

[21] Appl. No.: **23,682**

[22] Filed: **May 31, 1994**

[52] U.S. Cl. .... **D13/134; D26/60**

[58] Field of Search ..... **D26/24, 60, 113, D26/138, 140; 362/396, 226, 236, 237, 238, 240, 249, 250; 439/110-121, 699, 658, 659; D13/134**

[56] **References Cited**

**U.S. PATENT DOCUMENTS**

D. 312,135	11/1990	Nagano	.....	D26/24
D. 344,262	2/1994	Bray	.....	D13/134
947,596	1/1910	Morrison	.....	362/341
4,188,658	2/1980	Aron	.....	362/396

**OTHER PUBLICATIONS**

Lightworks Catalog Sheet RB Series RibbonLite More Great Strip Lighting from Lightworks, Copyrighted 1991.

Primary Examiner—Susan J. Lucas  
Attorney, Agent, or Firm—Anthony S. Zummer

[57] **CLAIM**

The ornamental design for a wedge base lampholder for use on track, as shown and described.

**DESCRIPTION**

FIG. 1 is a perspective view showing the bottom of the wedge base lampholder for use on track showing our design with a lamp shown in dotted form mounted in the lampholder;

FIG. 2 is a perspective view showing the top of the of the wedge base lampholder for use on track shown in FIG. 1 on an enlarged scale with a lamp shown in dotted form;

FIG. 3 is a front elevational view of the wedge base lampholder for use on track shown in FIG. 1 on an enlarged scale;

FIG. 4 is a right side elevational view of the wedge base lampholder for use on track shown in FIG. 1 on an enlarged scale with a lamp shown in dotted form mounted in the lampholder, and the left side elevational view being a mirror image of the right side;

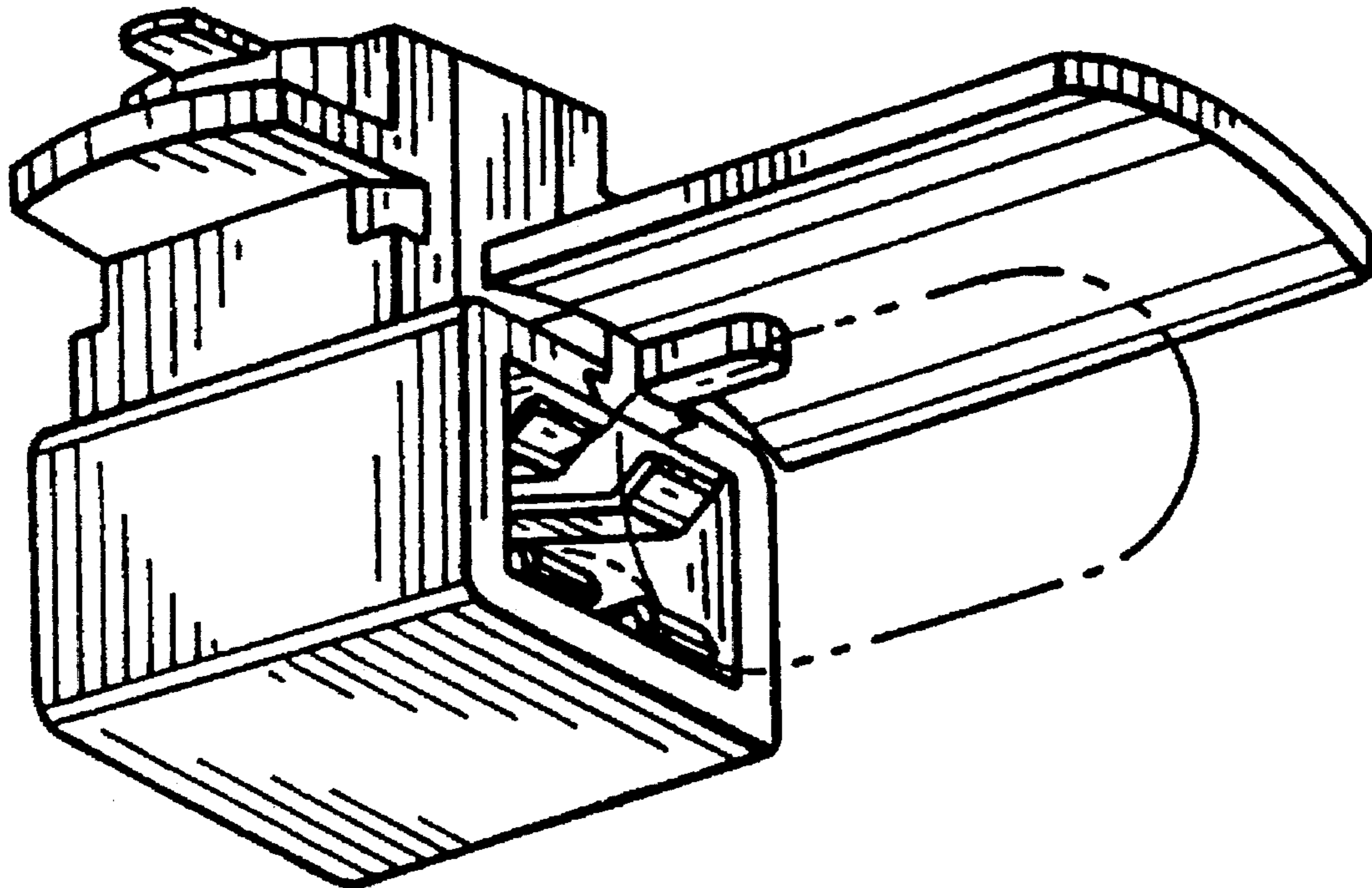
FIG. 5 is is a rear elevational view of the wedge base lampholder for use on track shown in FIG. 1 on an enlarged scale;

FIG. 6 is a top view of the wedge base lampholder for use on track shown in FIG. 1 on an enlarged scale; and,

FIG. 7 is a bottom view of the wedge base lampholder for use on track shown in FIG. 1 on an enlarged scale with a lamp shown in dotted form mounted in the lampholder.

The lamp is shown in dotted lines for illustrative purposes only and forms no part of the claimed design.

**1 Claim, 2 Drawing Sheets**



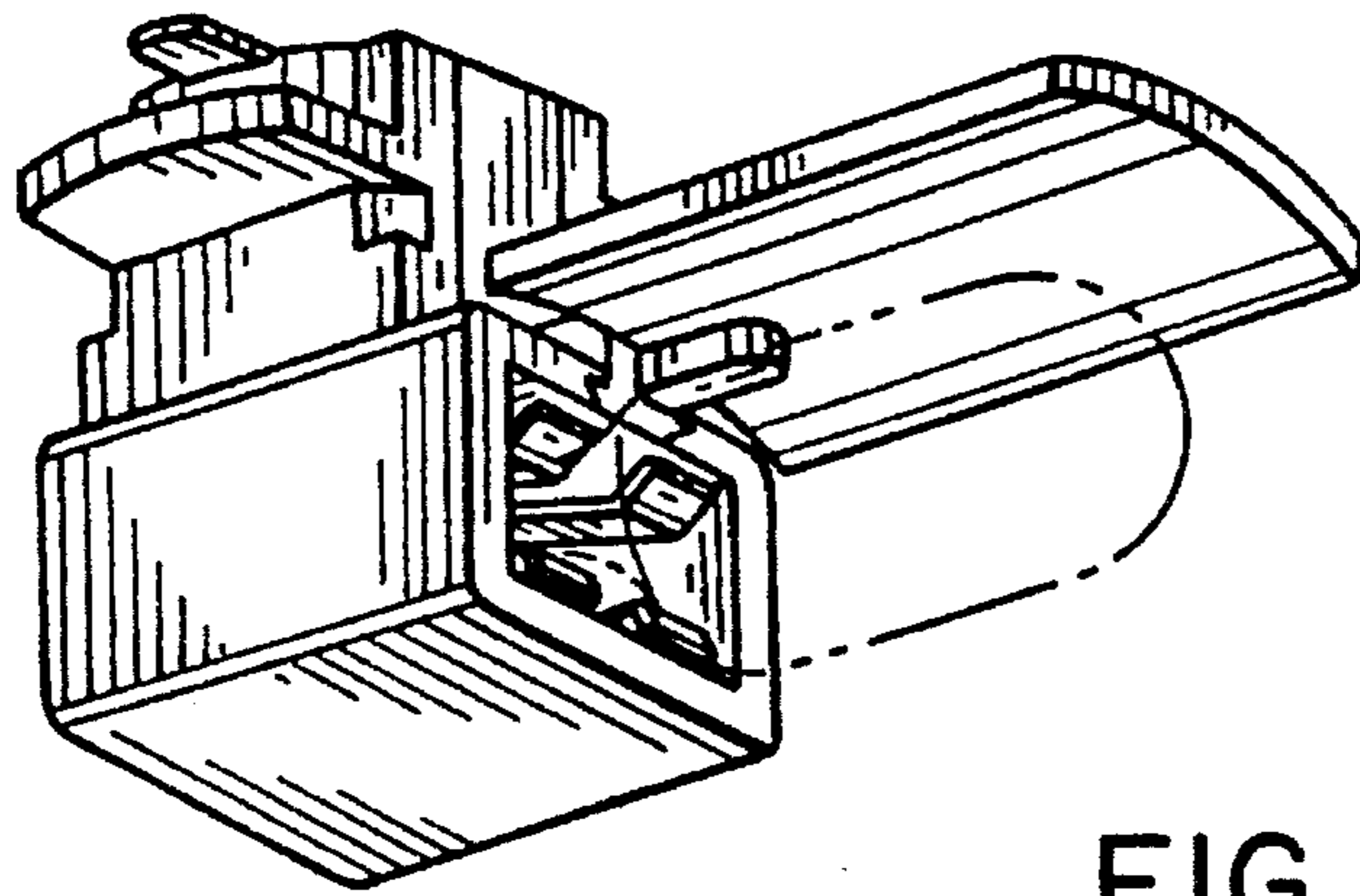


FIG. 1

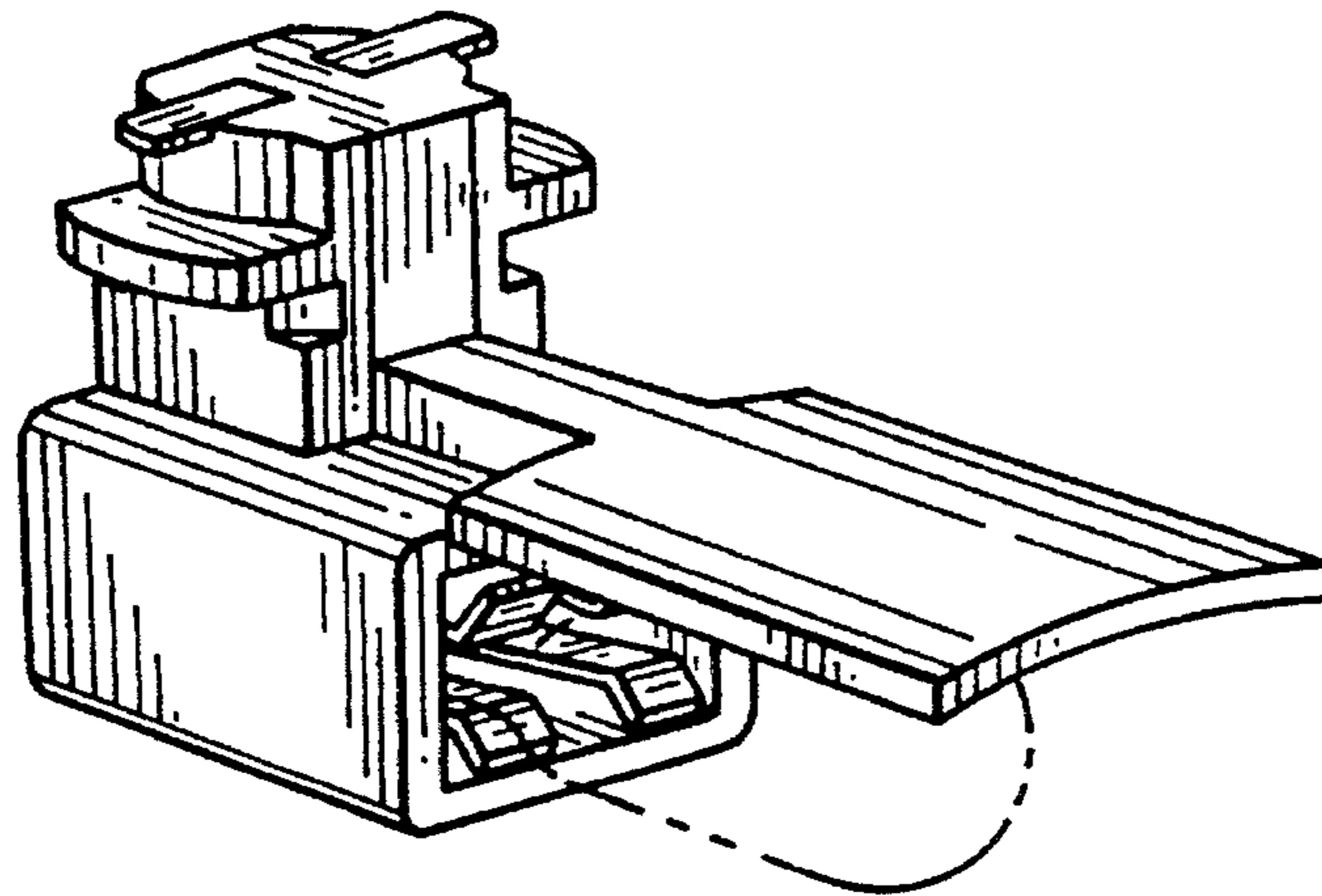


FIG. 2

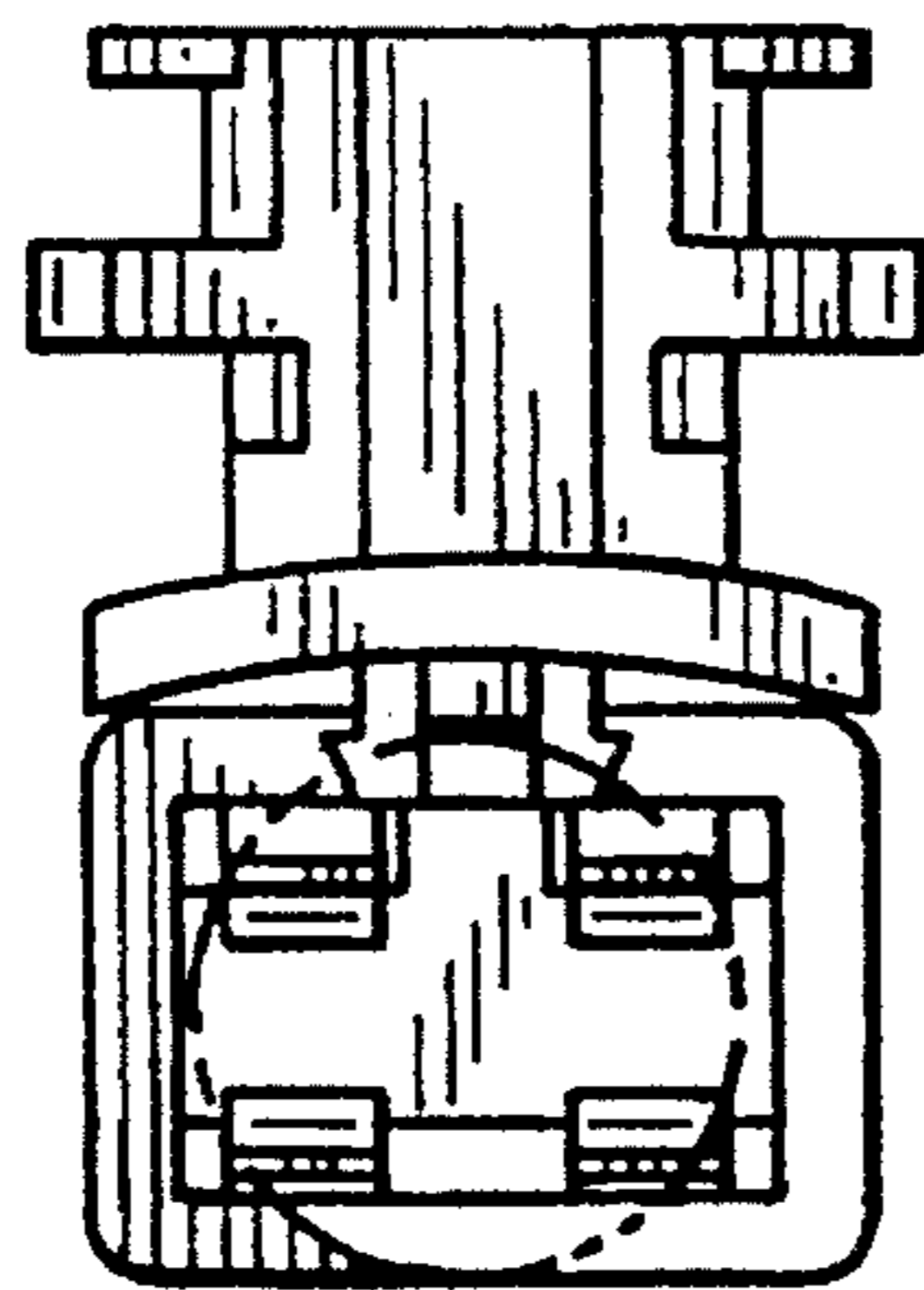


FIG. 3

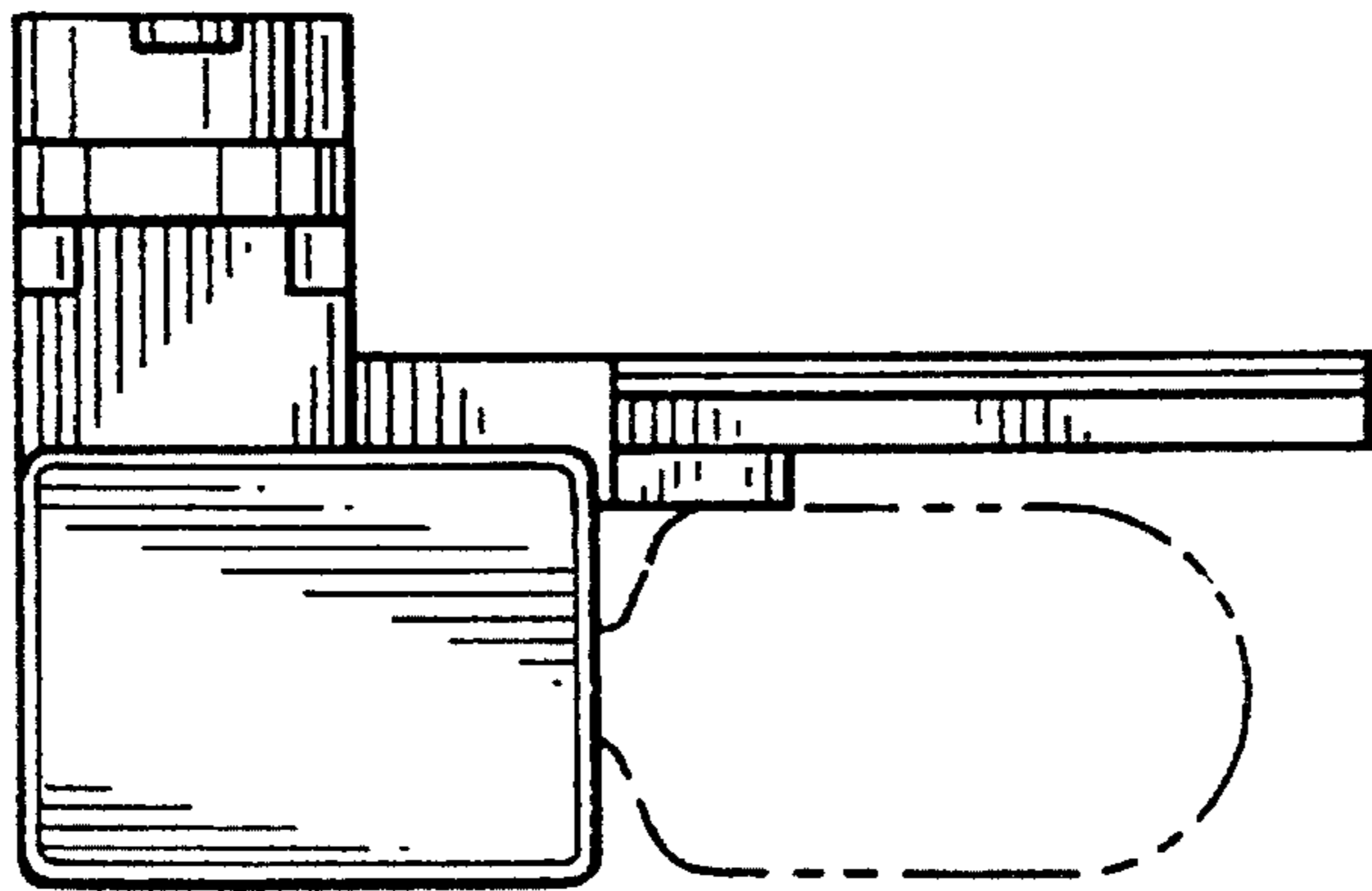


FIG. 4

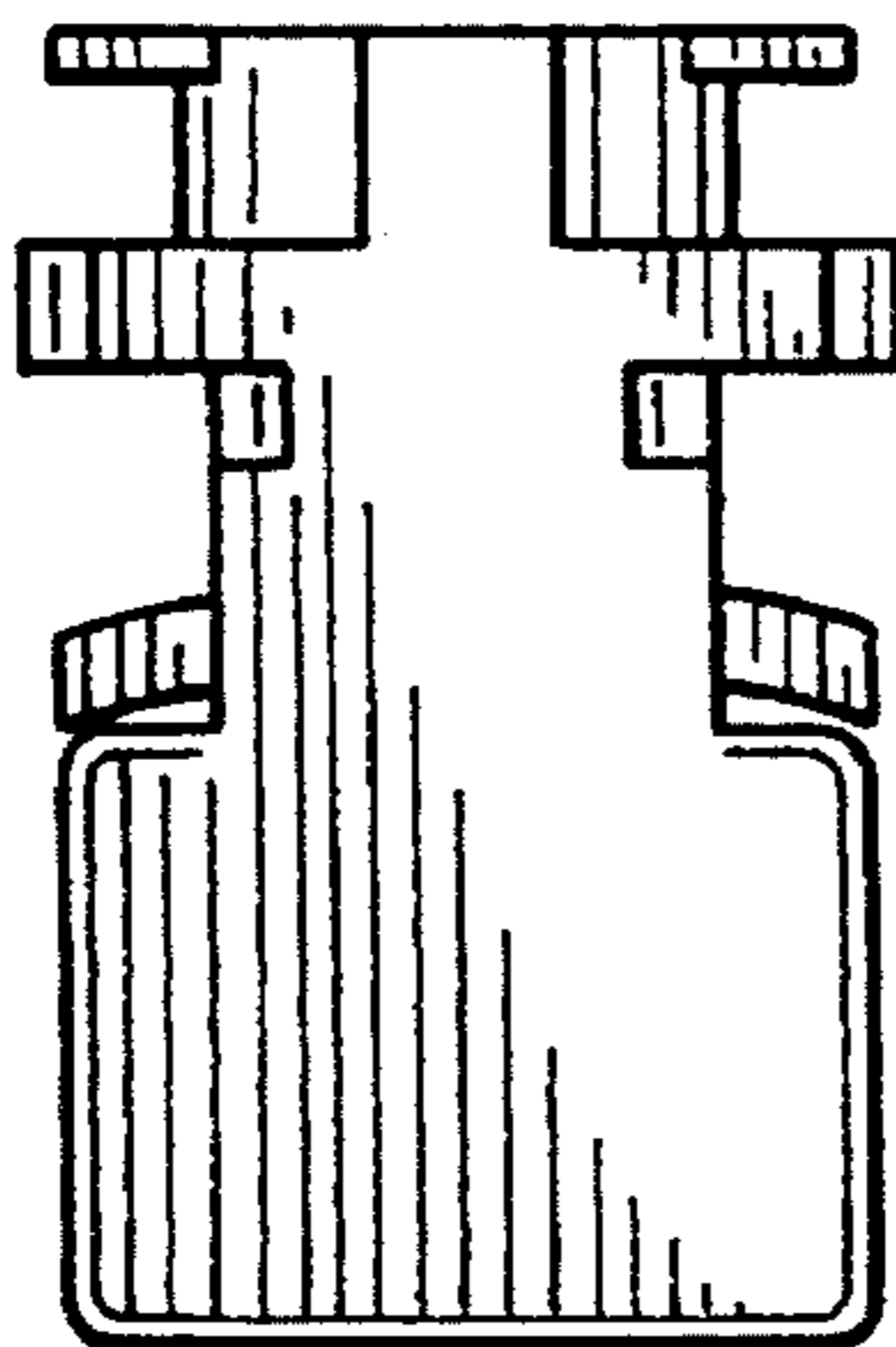


FIG. 5

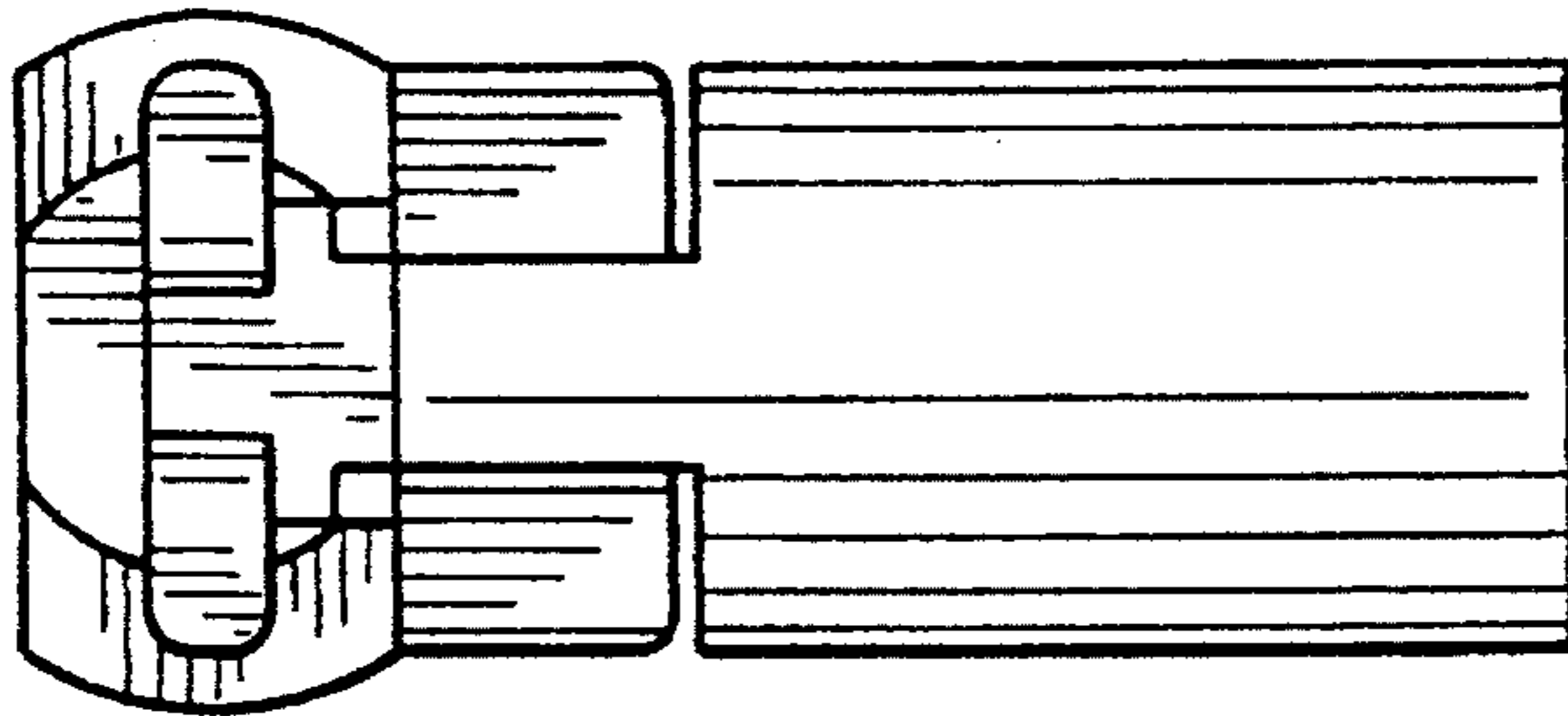


FIG. 6

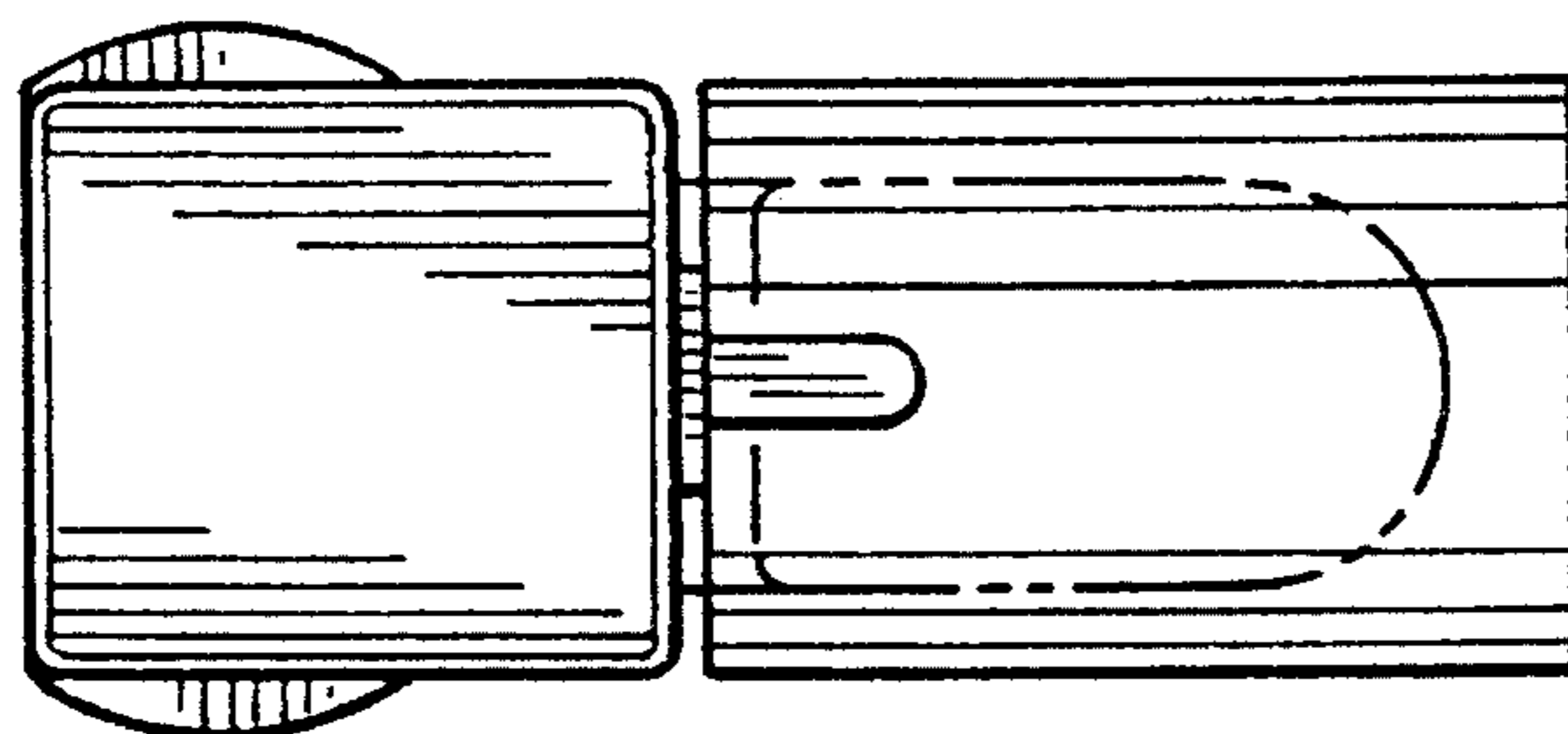


FIG. 7