



US00D362649S

# United States Patent [19]

[11] Patent Number: **Des. 362,649**

**Rak et al.**

[45] Date of Patent: **\*\*Sep. 26, 1995**

[54] **STYLUS PEN**

[75] Inventors: **Roman P. Rak**, Delta; **Mark Harold**, Vancouver; **William E. Fenton**, Surrey, all of Canada

[73] Assignee: **Motorola, Inc.**, Schaumburg, Ill.

[\*\*] Term: **14 Years**

[21] Appl. No.: **11,774**

[22] Filed: **Aug. 16, 1993**

[52] U.S. Cl. .... **D14/114**

[58] Field of Search ..... **D19/41-51; D14/100, D14/114, 116; 235/375, 378, 385, 454, 462, 472, 486; 354/80-82; 250/203.1, 216, 566, 568; D26/37, 45, 50**

[56] **References Cited**

**U.S. PATENT DOCUMENTS**

D. 220,296 3/1971 Berlin ..... D19/42

D. 294,263	2/1988	Rodgers et al.	.....	D14/116
D. 300,640	4/1989	Coletta et al.	.....	D19/41 X
D. 327,476	6/1992	Valls et al.	.....	D14/114
D. 328,918	8/1992	Buda et al.	.....	D19/46 X
D. 330,910	11/1992	Warburton	.....	D19/51 X
D. 331,750	12/1992	Yang	.....	D14/114

*Primary Examiner*—Melanie H. Tung  
*Attorney, Agent, or Firm*—Charles W. Bethards

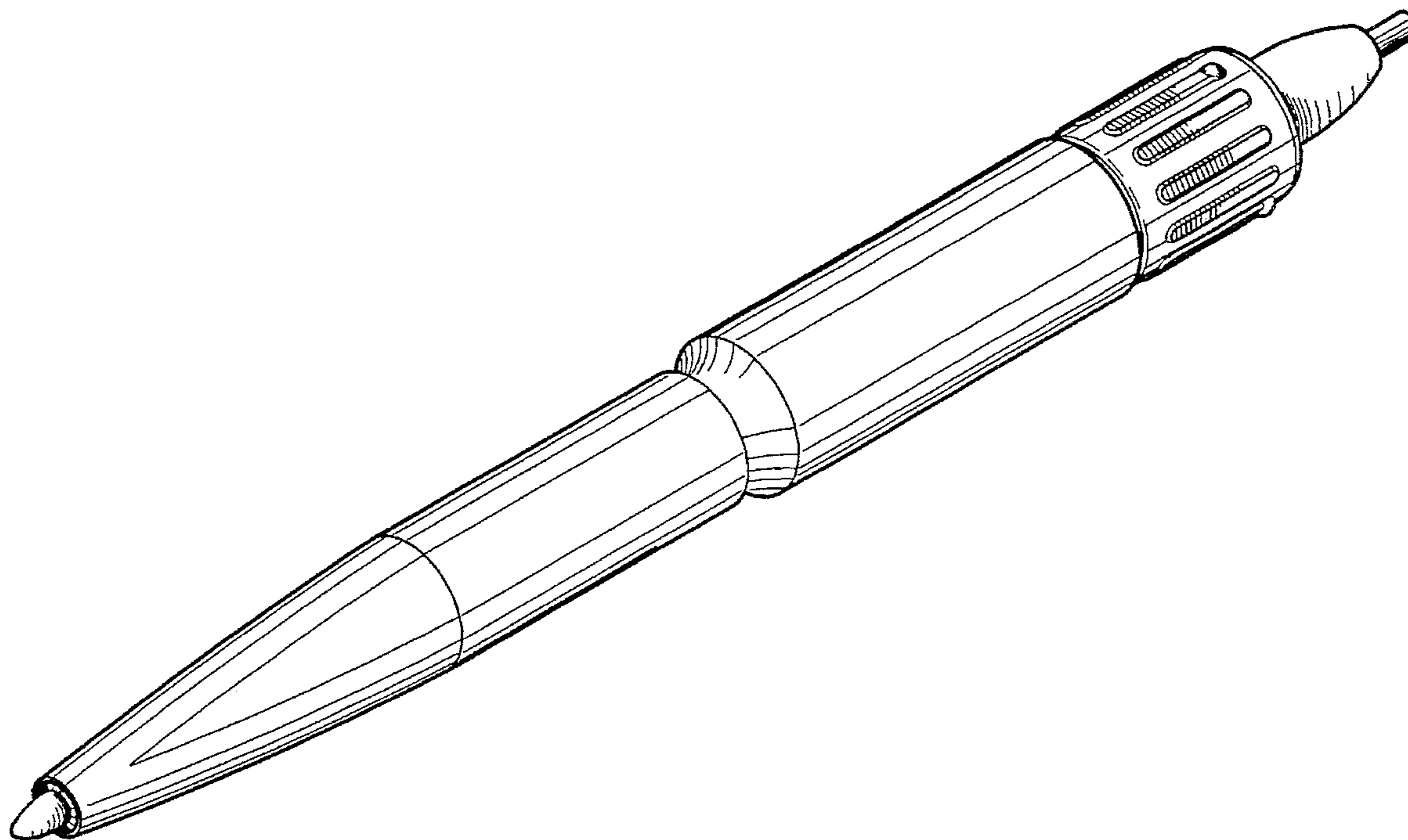
[57] **CLAIM**

The ornamental design for a stylus pen, as shown and described.

**DESCRIPTION**

FIG. 1 is a perspective view of our new design for a stylus pen;  
FIG. 2 is a front elevational view thereof, the side rotated 120 degrees, and the side rotated 240 degrees are identical;  
FIG. 3 is a top plan view thereof; and,  
FIG. 4 is a bottom plan view thereof.

**1 Claim, 1 Drawing Sheet**



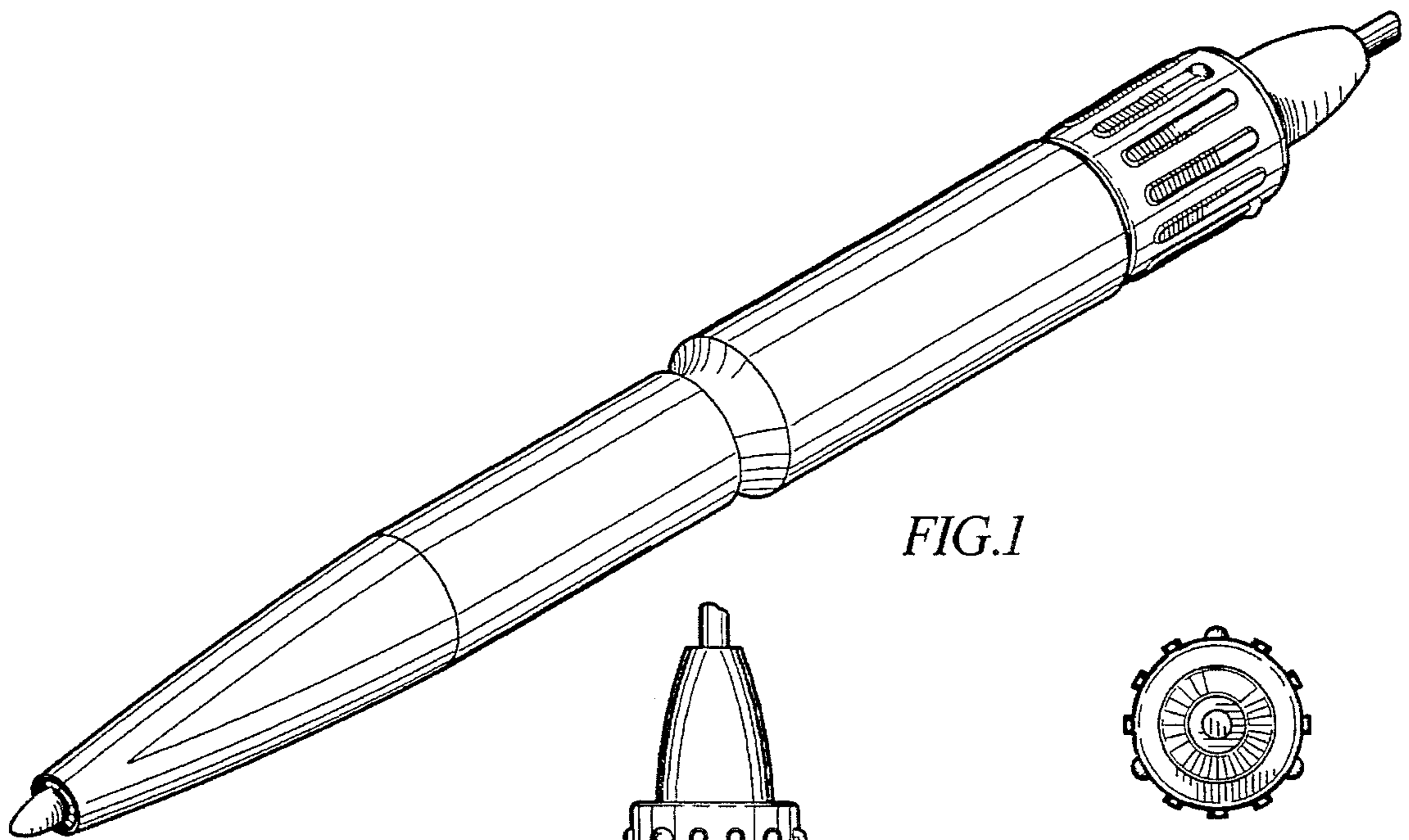


FIG. 1

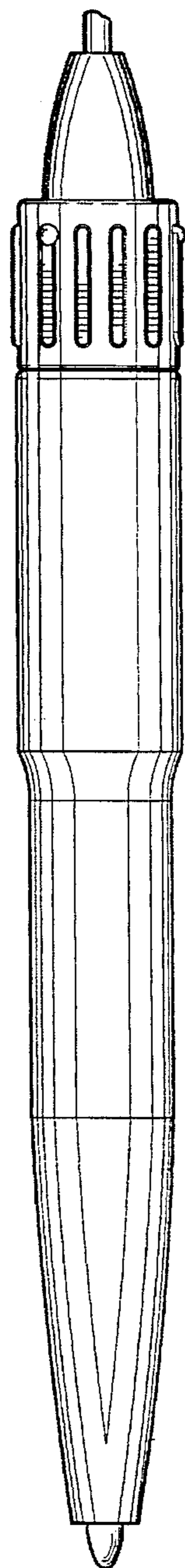


FIG. 2

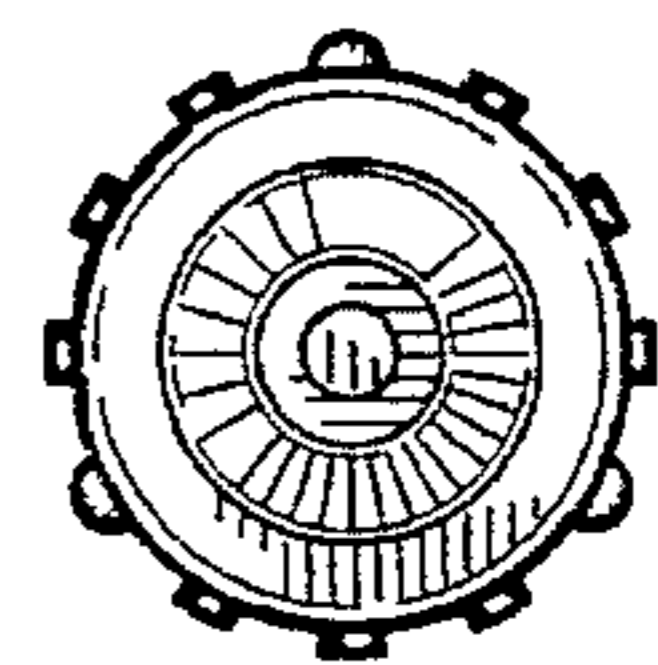


FIG. 3

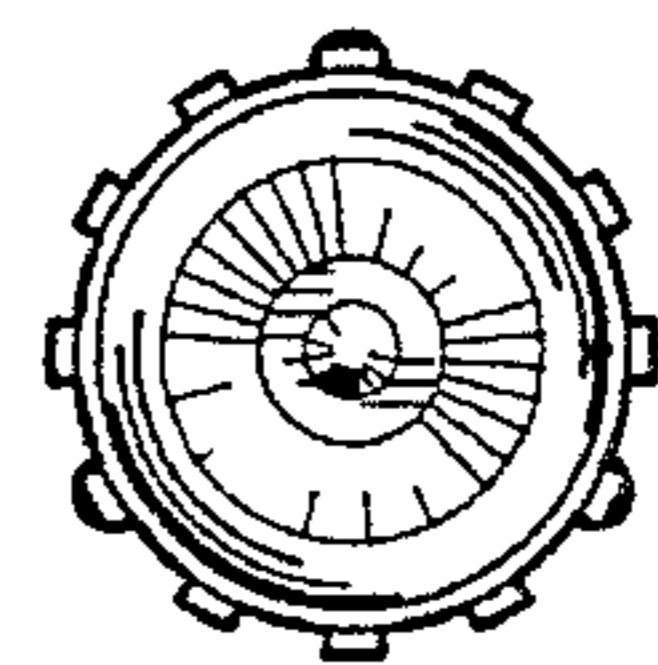


FIG. 4