



US00D362640S

# United States Patent [19]

[11] Patent Number: **Des. 362,640**

**Pail**

[45] Date of Patent: **\*\*Sep. 26, 1995**

[54] **COMBINATION PEDOMETER AND FITNESS MONITOR**

4,982,738 1/1991 Griebel ..... 128/670  
5,080,105 1/1992 Thornton ..... 128/670

[75] Inventor: **Opher Pail**, New York, N.Y.

*Primary Examiner*—Antoine Duval Davis

[73] Assignee: **Precise International**, Orangeburg, N.Y.

[57] **CLAIM**

[\*\*] Term: **14 Years**

The ornamental design for a combination pedometer and fitness monitor, as shown.

[21] Appl. No.: **29,409**

**DESCRIPTION**

[22] Filed: **Oct. 5, 1994**

[52] U.S. Cl. .... **D10/97; D10/78**

[58] Field of Search ..... D10/46, 78, 81,  
D10/97; 128/670, 706, 707, 710, 715, 782,  
668; 235/105

FIG. 1 is a perspective view of a combination pedometer and fitness monitor showing my new design;

FIG. 2 is a similar view with the cover shown in the open position;

FIG. 3 is a side elevational view thereof;

FIG. 4 is a top plan view thereof;

FIG. 5 is a front elevational view thereof;

FIG. 6 is a bottom view thereof; and,

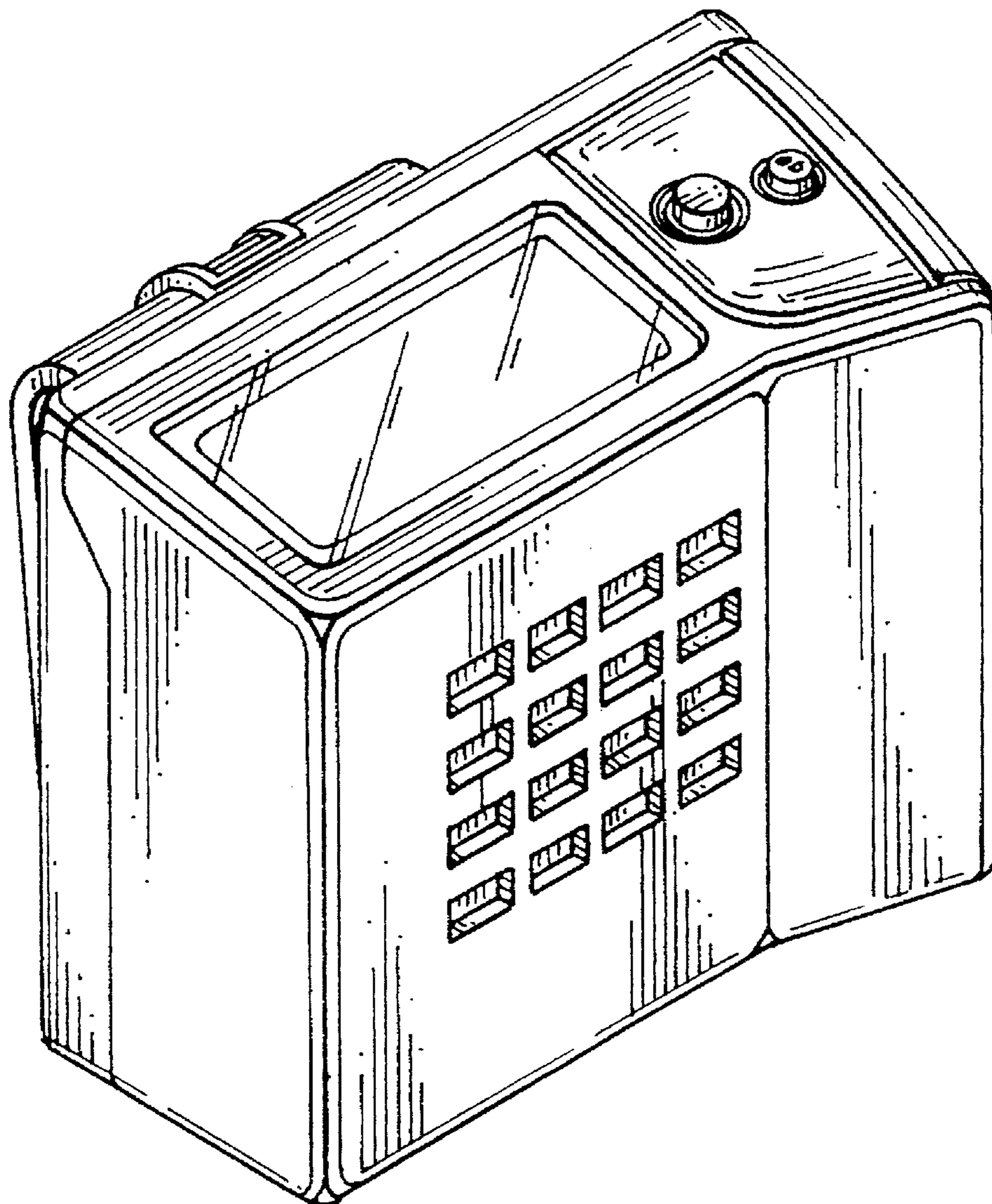
FIG. 7 is a rear elevational view thereof.

[56] **References Cited**

**U.S. PATENT DOCUMENTS**

D. 309,581 7/1990 Burton ..... D10/78  
4,974,607 12/1990 Miwa ..... 128/670

**1 Claim, 3 Drawing Sheets**



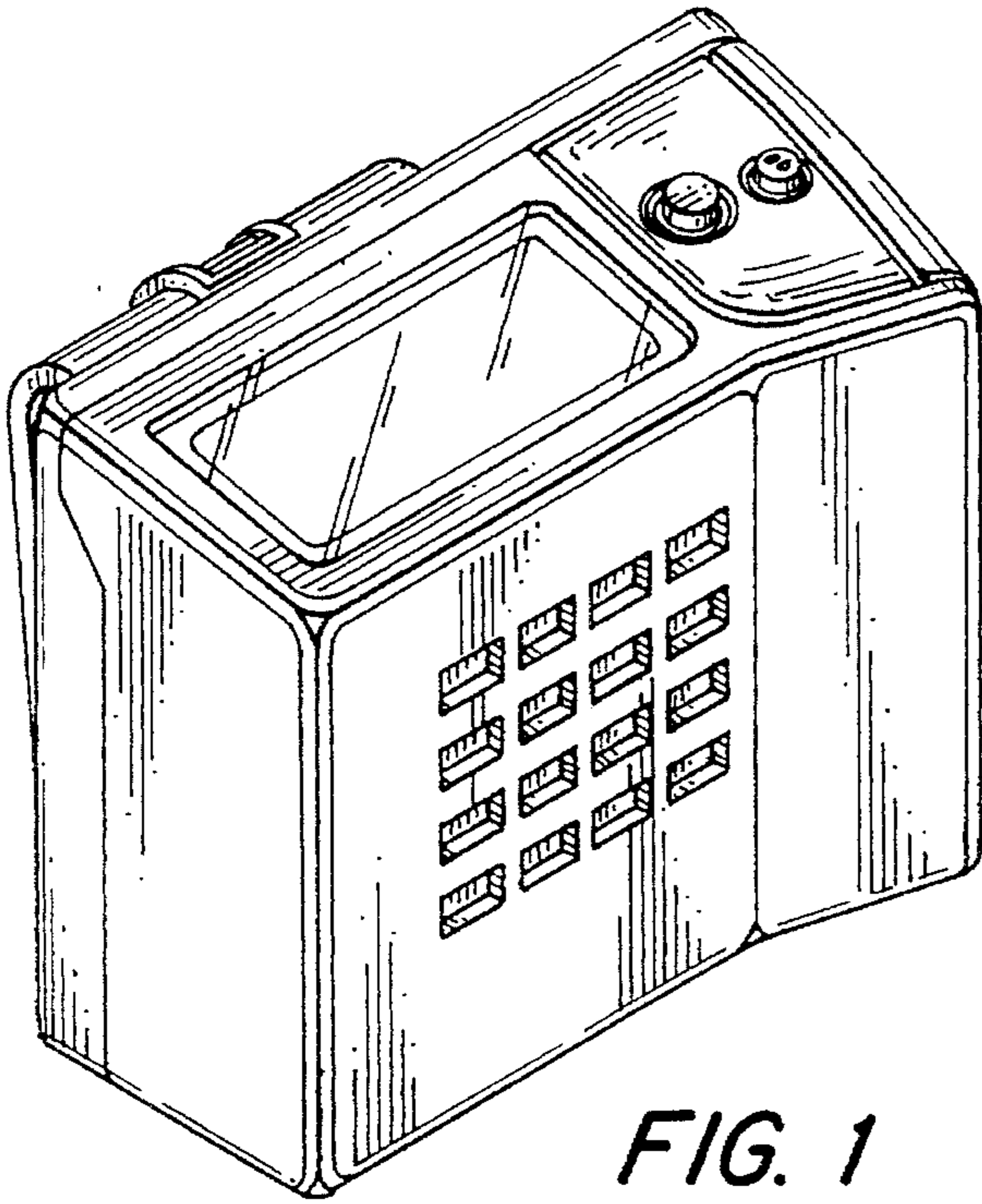


FIG. 1

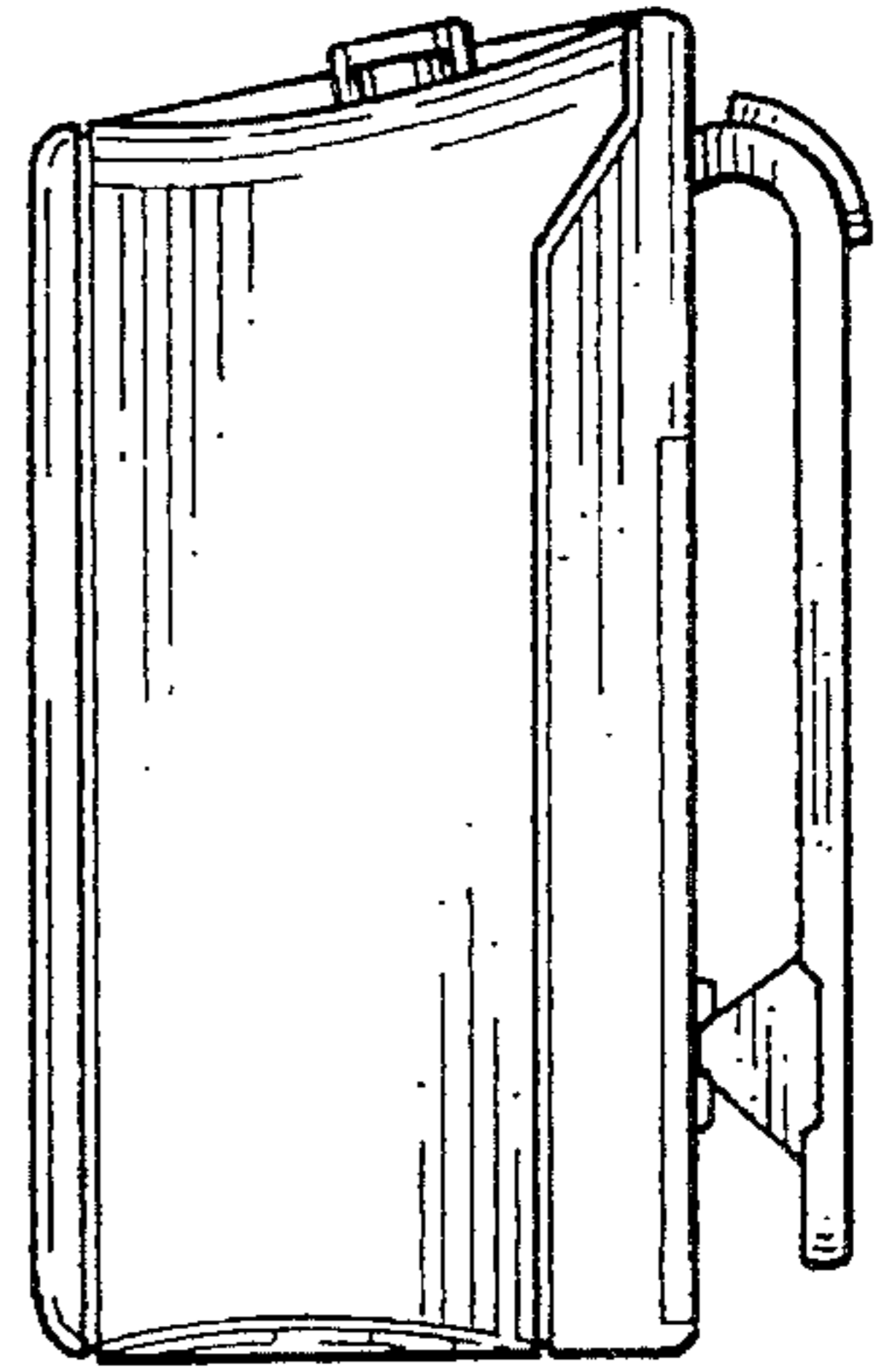


FIG. 3

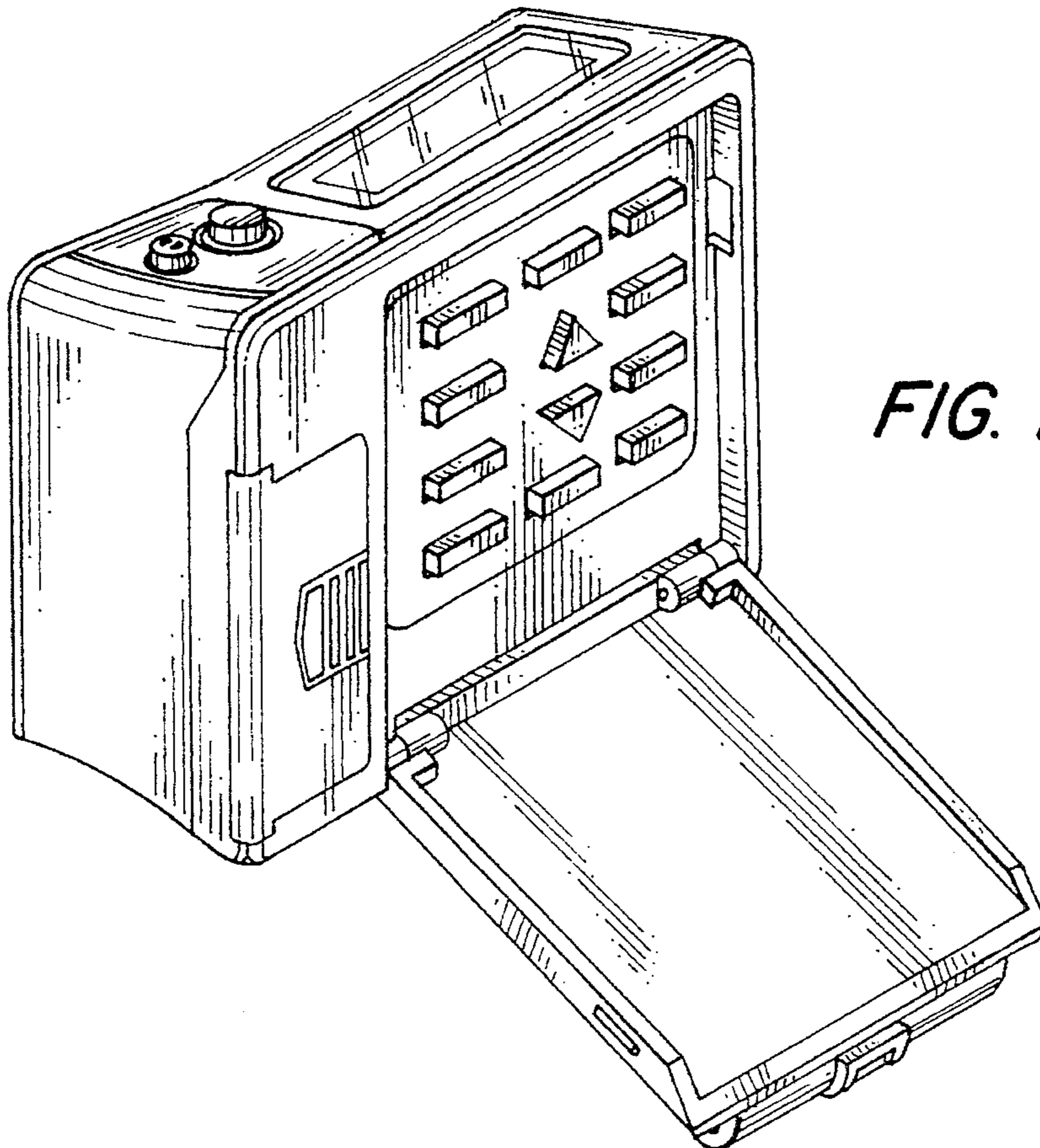
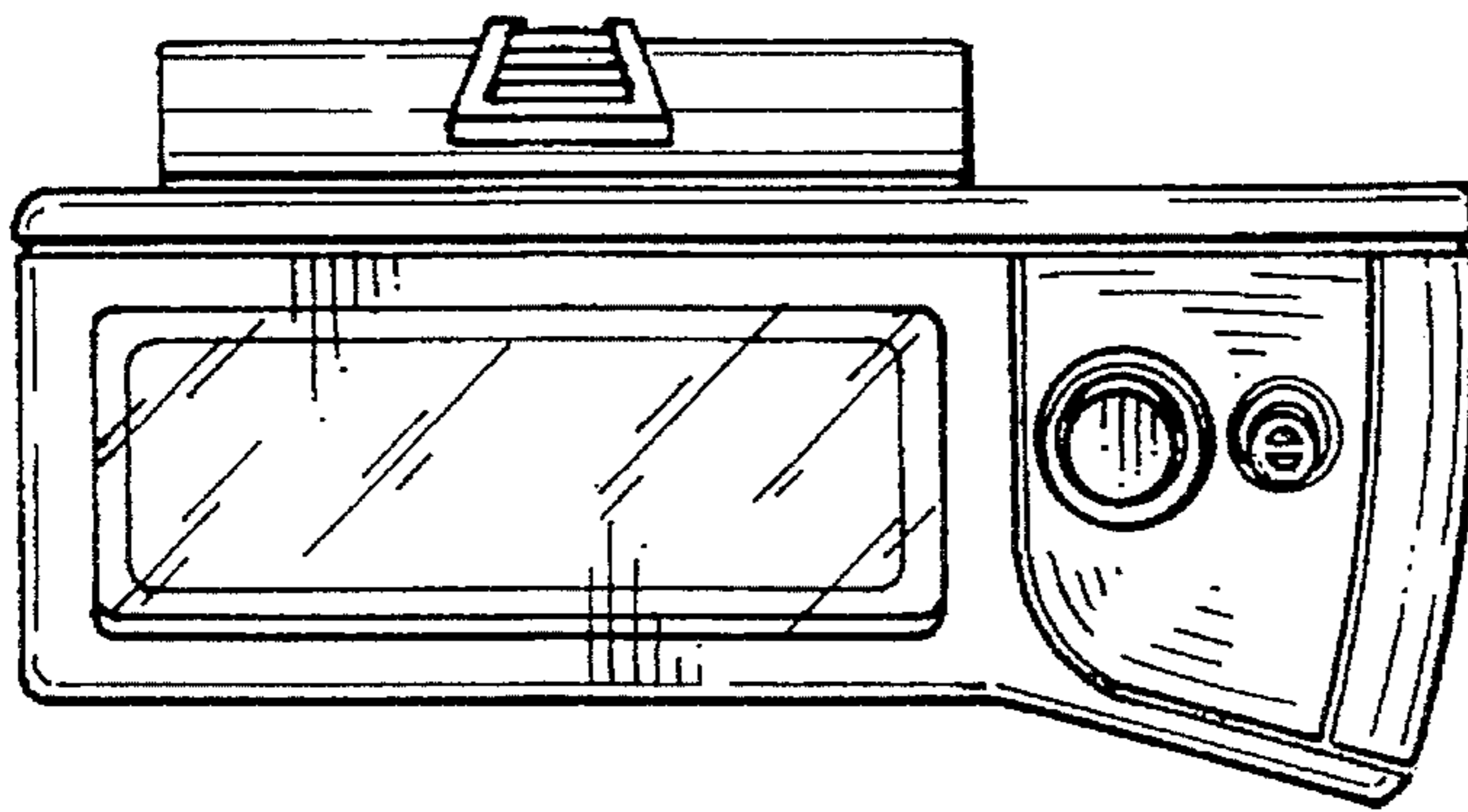
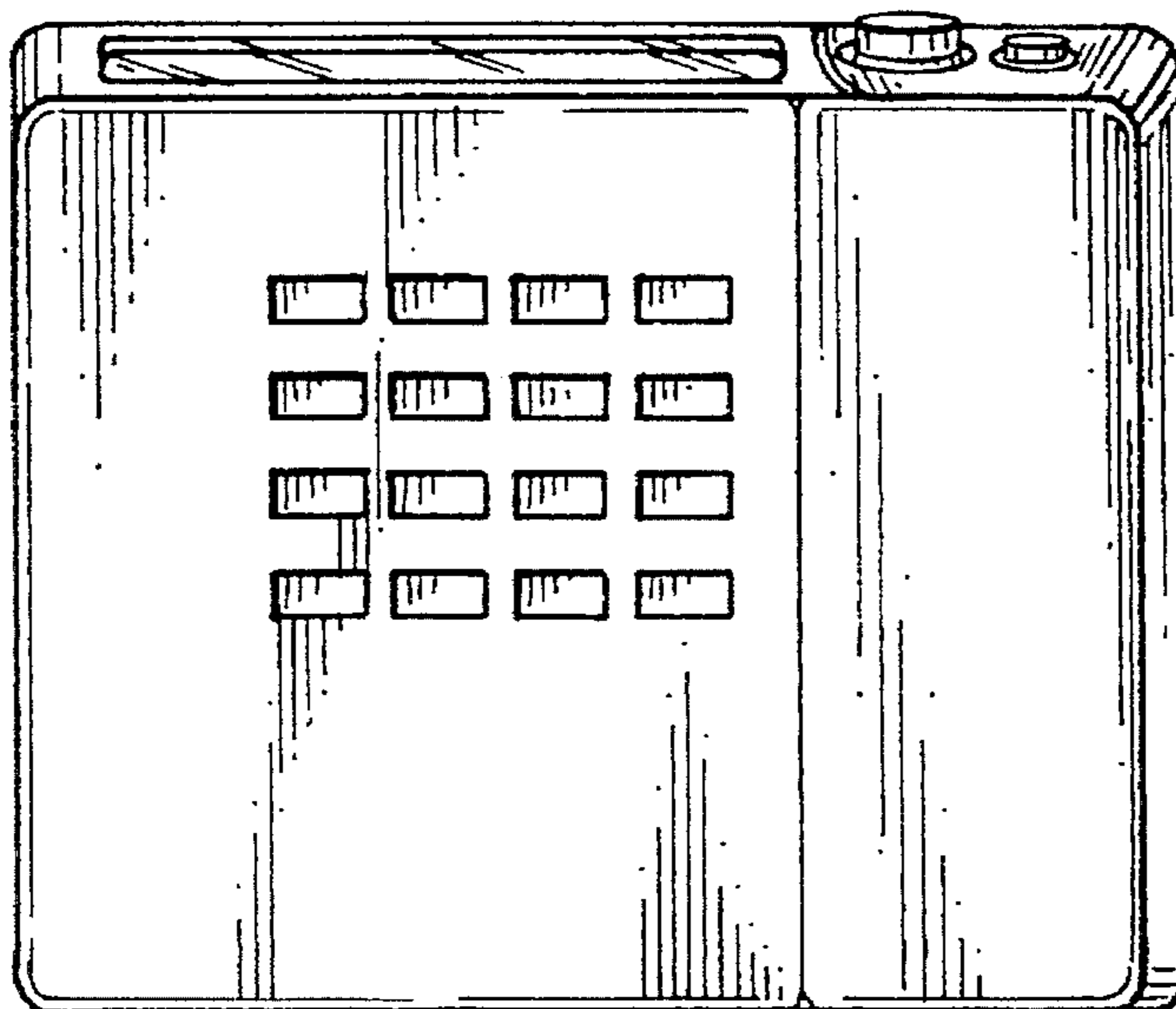


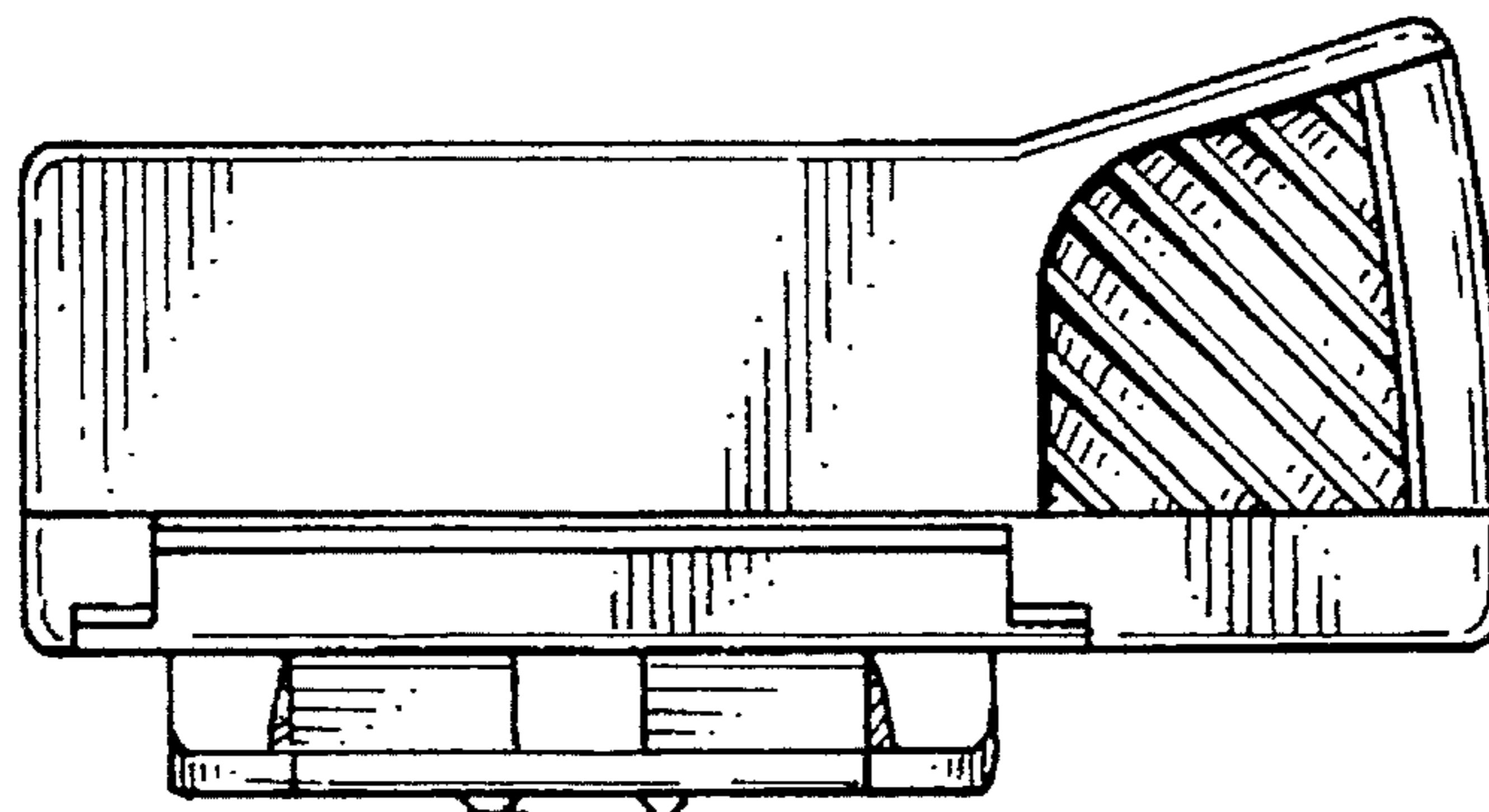
FIG. 2



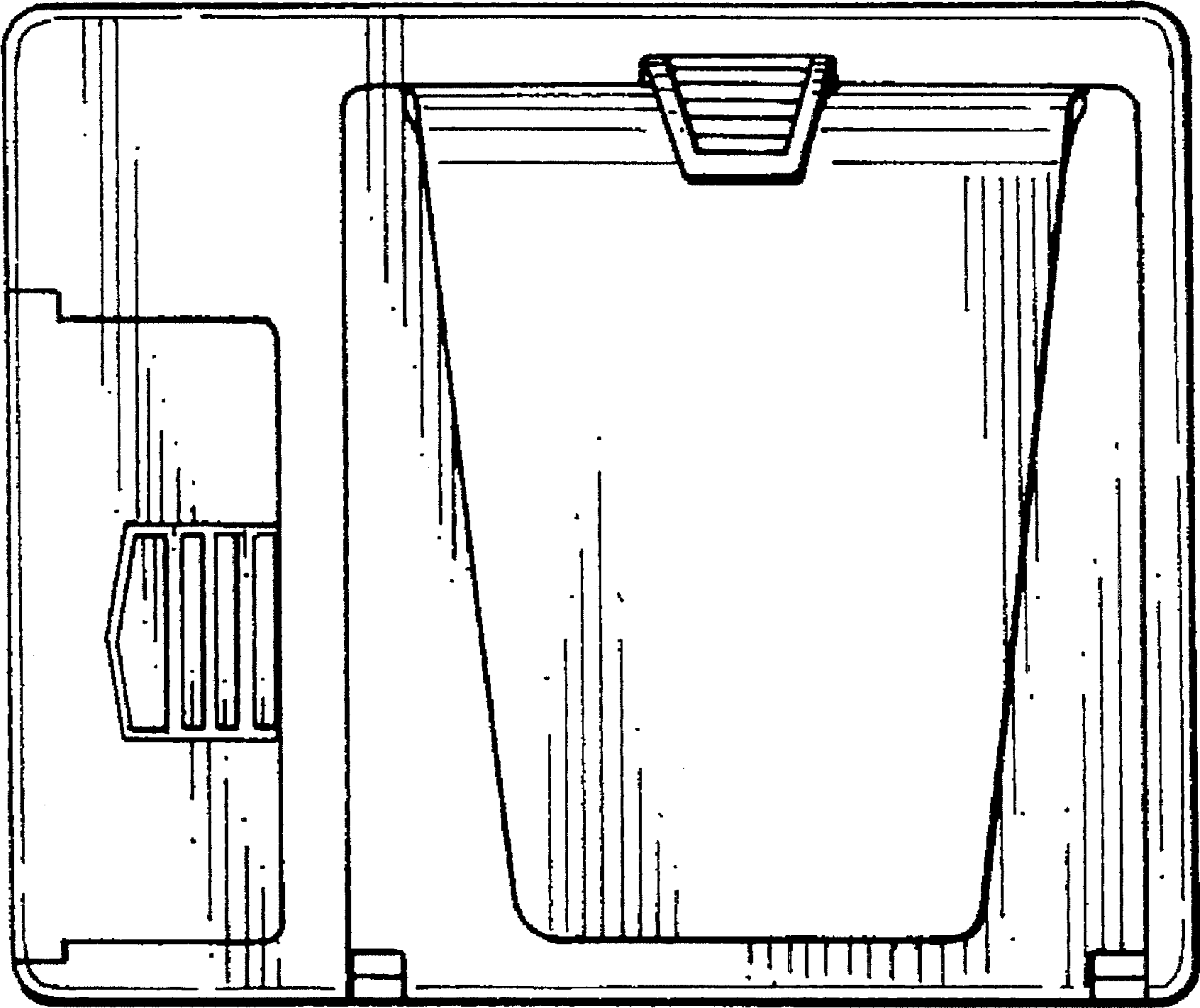
*FIG. 4*



*FIG. 5*



*FIG. 6*



*FIG. 7*