



US00D362627S

United States Patent [19]

[11] Patent Number: **Des. 362,627**

Liu

[45] Date of Patent: ****Sep. 26, 1995**

[54] **MIRROR CLOCK**

540-Watch-Dial at bottom right.

[75] Inventor: **Hsin-Chau Liu**, Chung Ho, Taiwan

Primary Examiner—Nelson C. Holtje
Attorney, Agent, or Firm—Browdy and Neimark

[73] Assignee: **Howwey Company Ltd.**, Taipei Hsien, Taiwan

[**] Term: **14 Years**

[57] **CLAIM**

The ornamental design for mirror clock, as shown and described.

[21] Appl. No.: **20,758**

[22] Filed: **Apr. 1, 1994**

DESCRIPTION

[52] U.S. Cl. **D10/22; D10/126**

[58] **Field of Search** D10/1-40, 122-132;
368/276-277, 285, 316-317, 223, 228,
232

FIG. 1 is a perspective view of mirror clock of my new design;

FIG. 2 is a front view thereof;

FIG. 3 is a back side view thereof;

FIG. 4 is a left side view thereof;

FIG. 5 is a right side view thereof;

FIG. 6 is a top plan view thereof; and,

FIG. 7 is a bottom view thereof.

[56] **References Cited**

U.S. PATENT DOCUMENTS

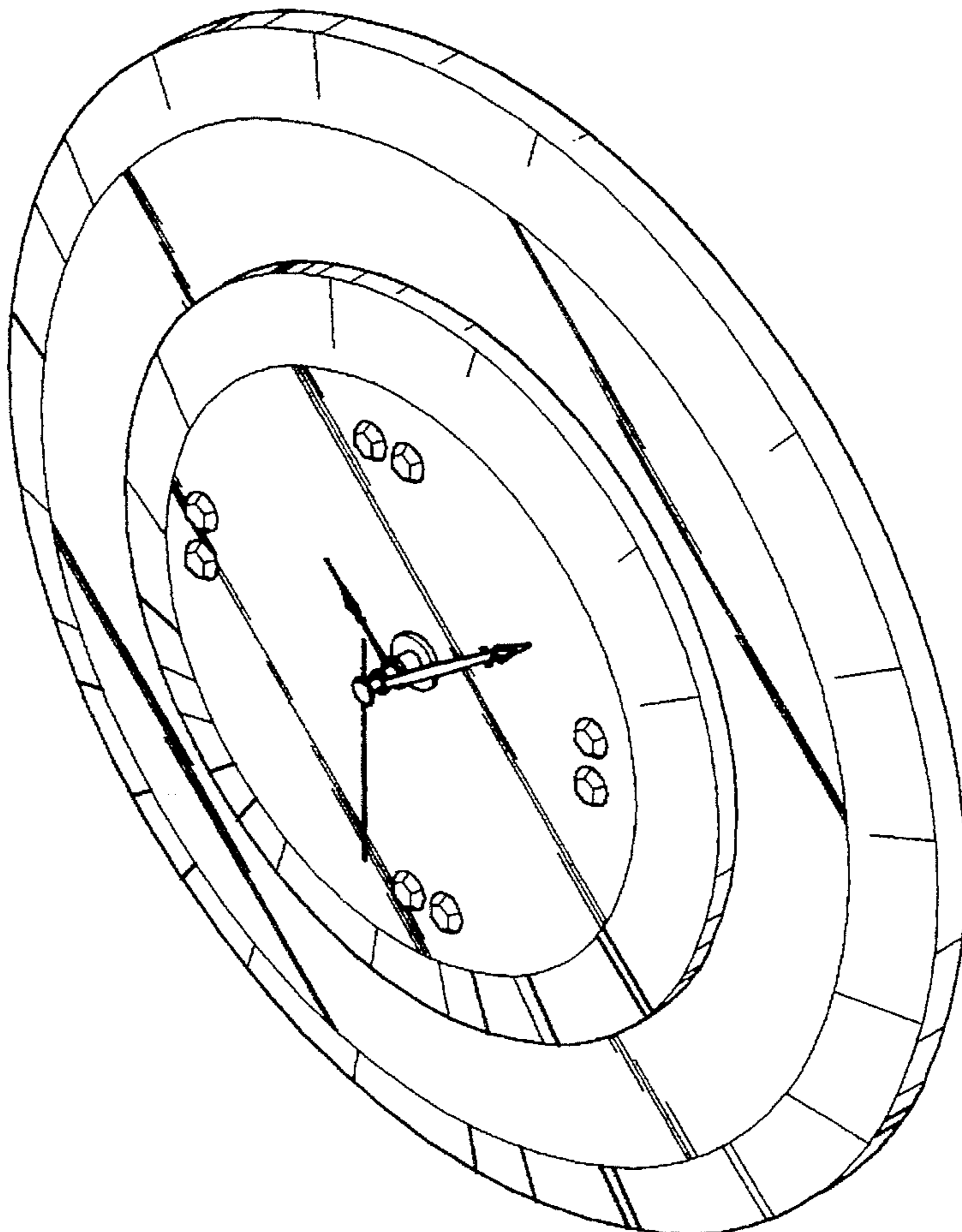
D. 226,123	1/1973	Burroughs	D10/1 X
D. 257,963	1/1981	Sticker	D10/126
1,475,800	11/1923	Creasy	D10/126 X

OTHER PUBLICATIONS

Swiss Watch & Jewelry Journal—Jan. 1988 p. 144—Watch-Dial, third from left at bottom.

Swiss Watch & Jewelry Journal—Mar. 1985—p.

1 Claim, 4 Drawing Sheets



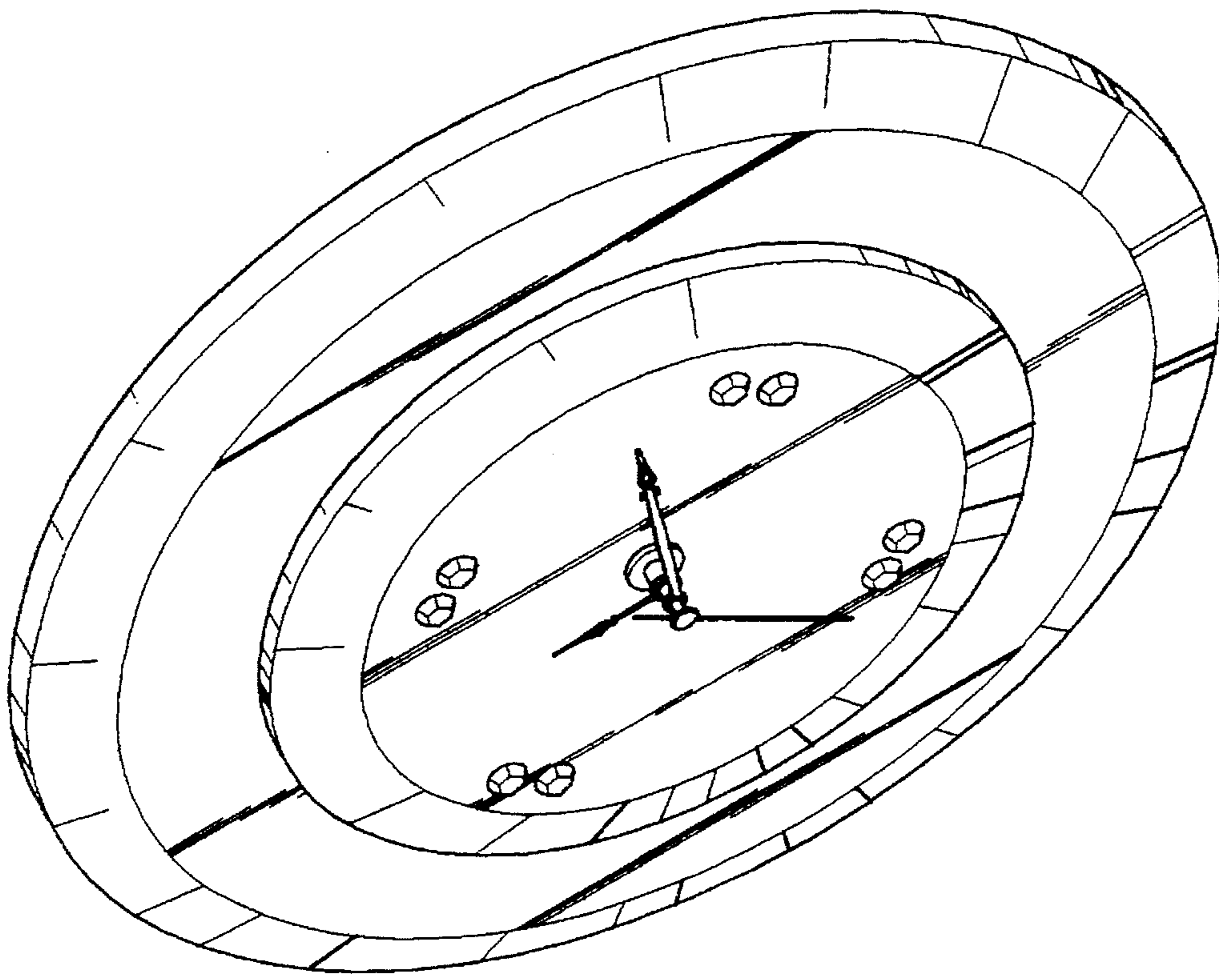


FIG. 1

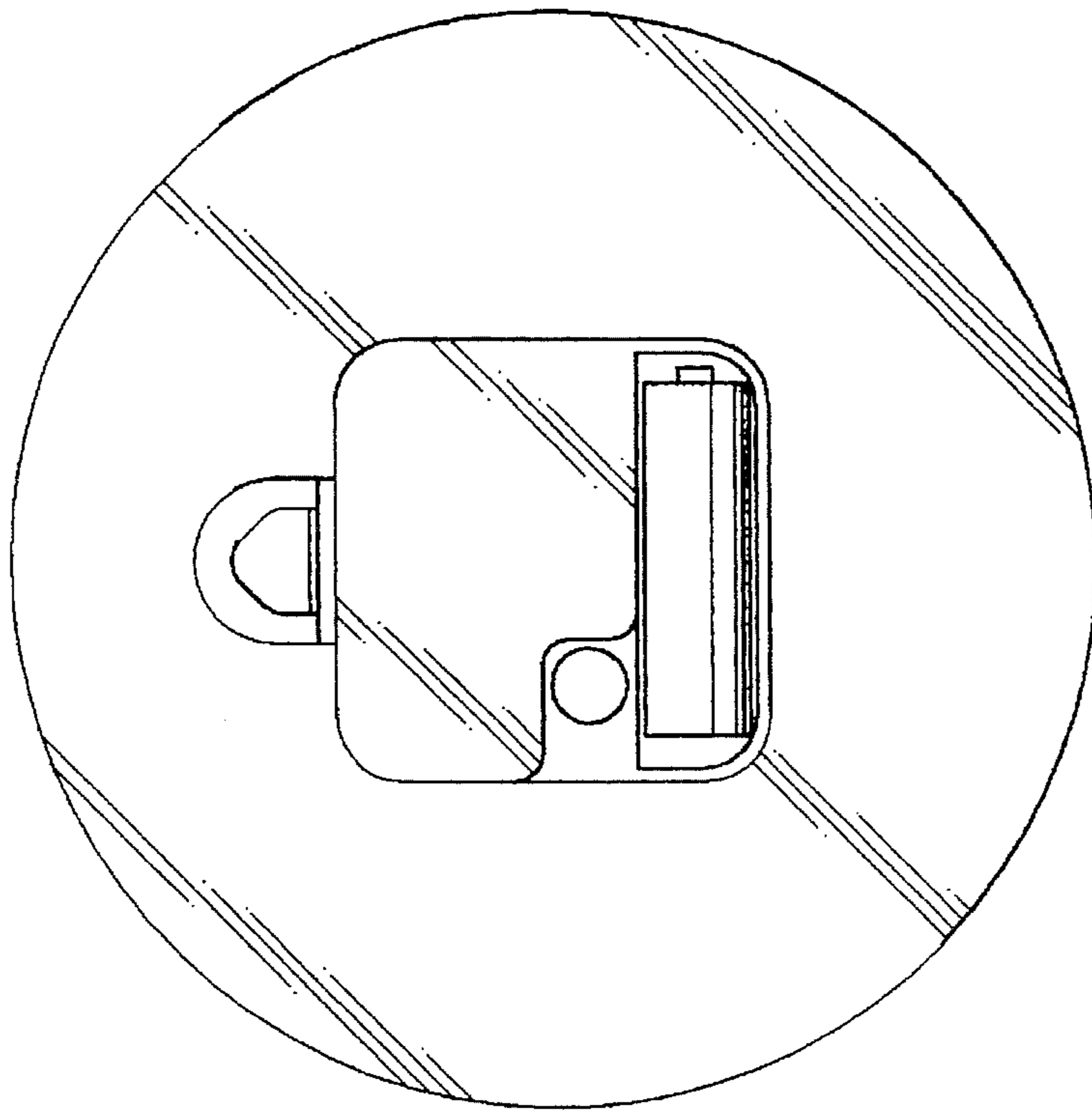


FIG.3

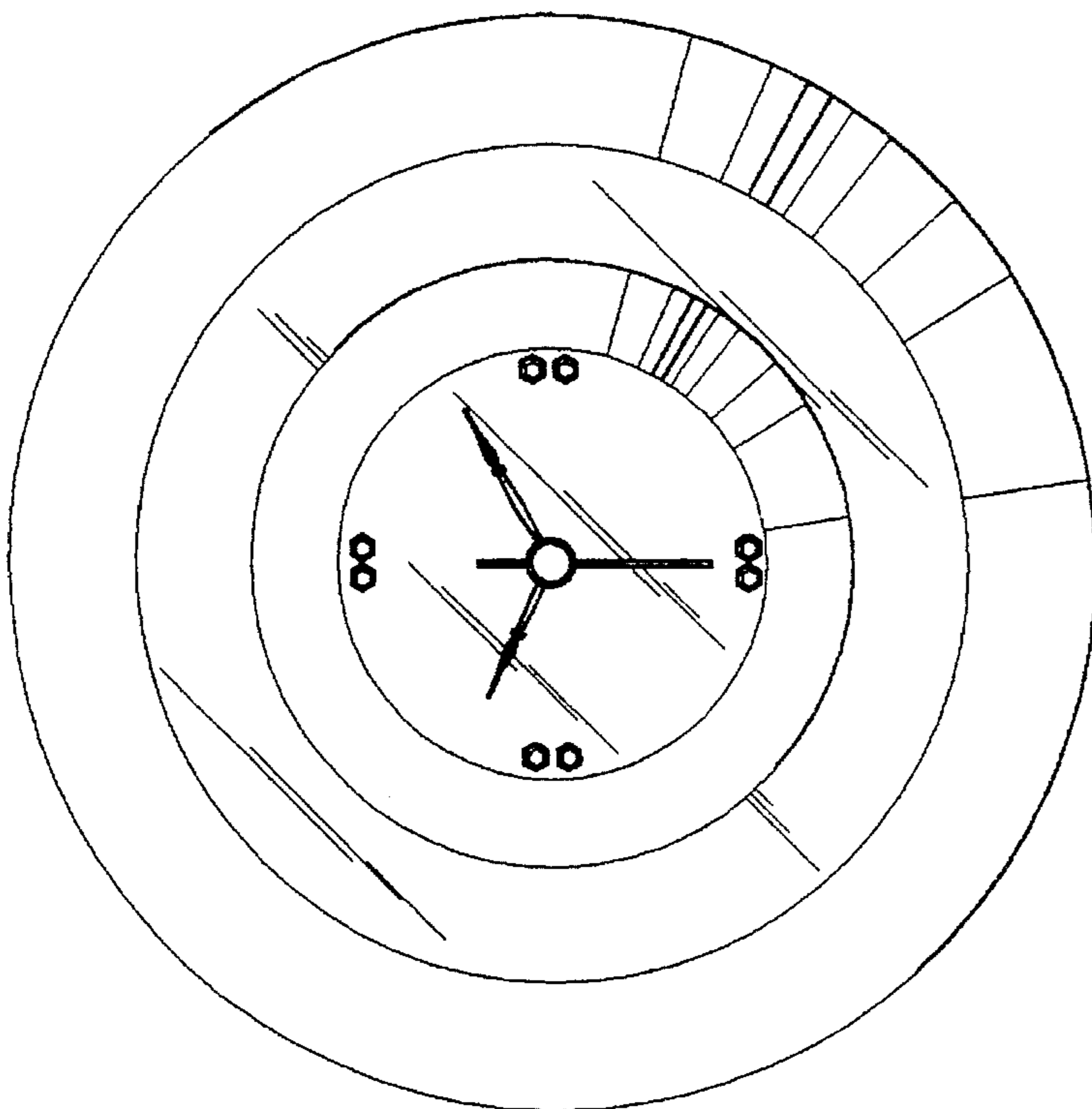


FIG.2

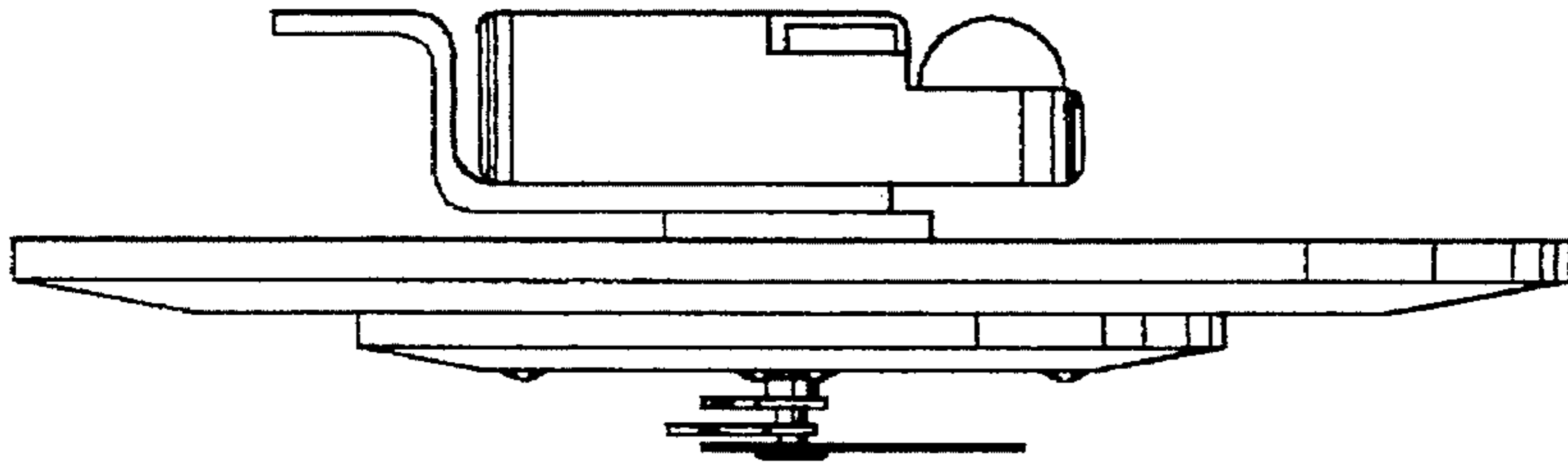


FIG. 5

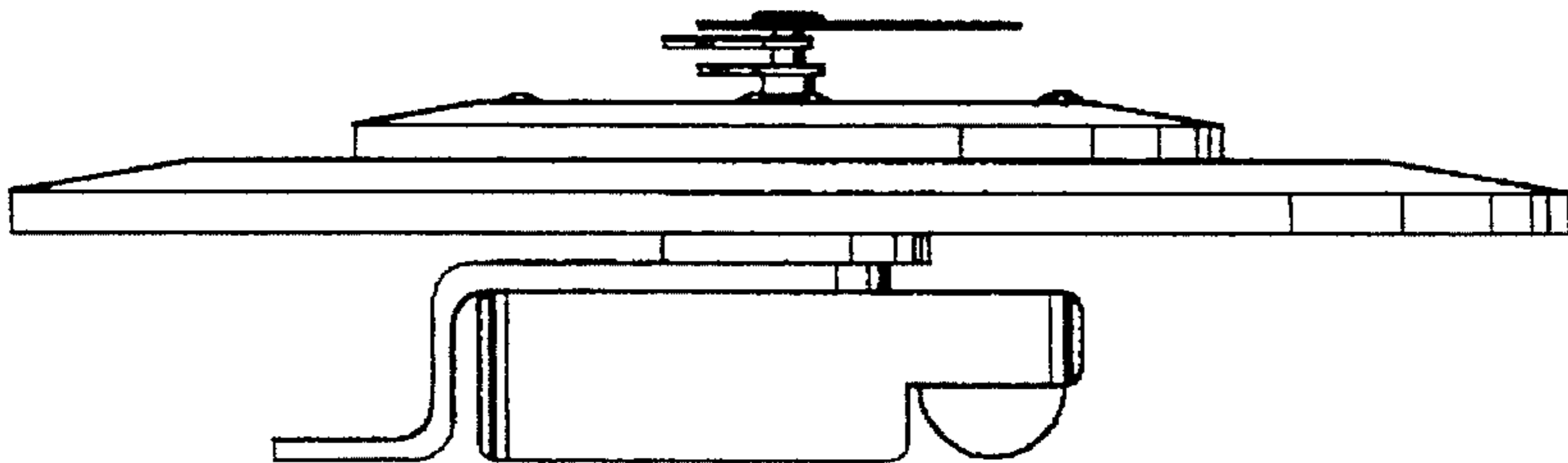


FIG. 4

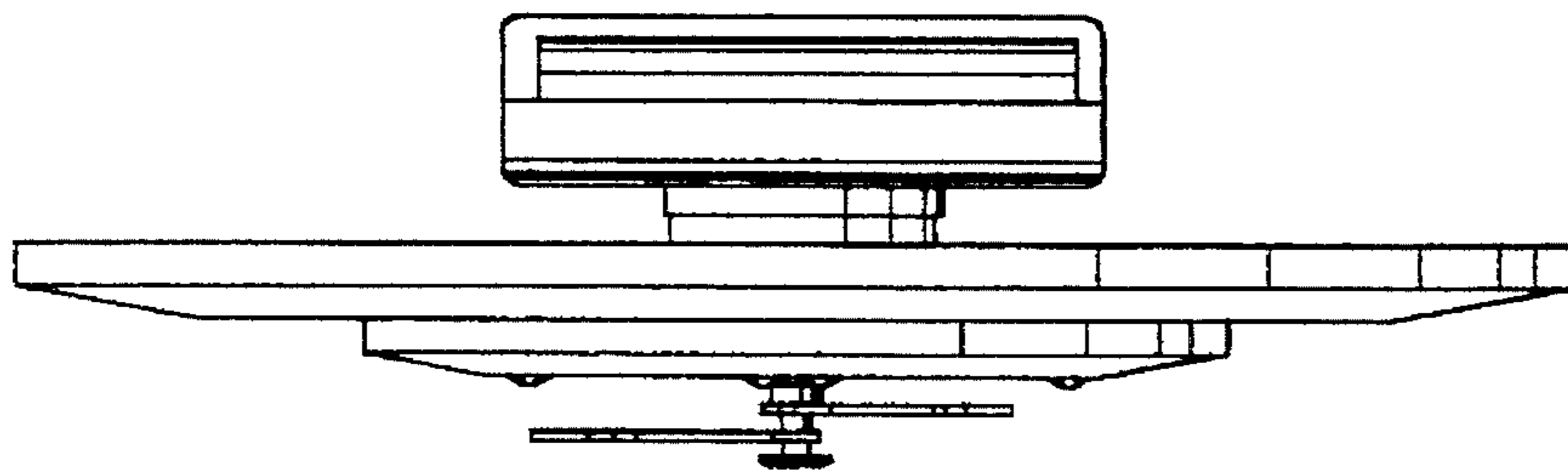


FIG. 7

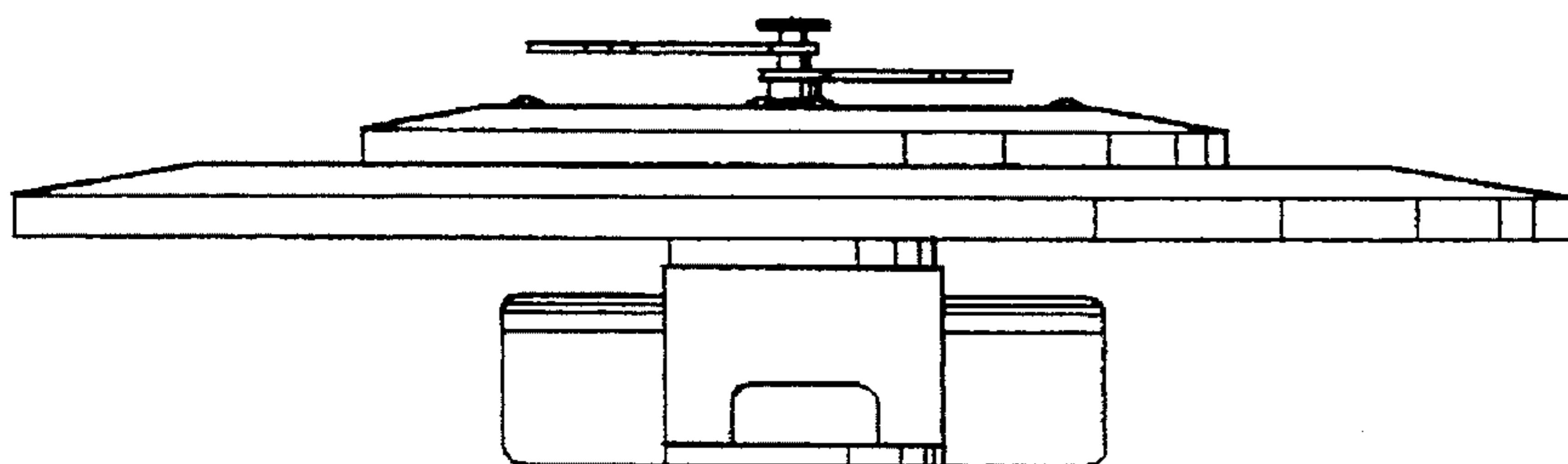


FIG. 6