



US00D362620S

United States Patent [19]

[11] Patent Number: **Des. 362,620**

Nagasaka

[45] Date of Patent: ****Sep. 26, 1995**

[54] PACKAGE FOR A TAPE CASSETTE

[75] Inventor: **Yoshie Nagasaka**, Yokohama, Japan

[73] Assignee: **Sony Corporation**, Tokyo, Japan

[**] Term: **14 Years**

[21] Appl. No.: **22,663**

[22] Filed: **May 10, 1994**

[52] U.S. Cl. **D9/432**

[58] Field of Search D9/305, 414, 423,
D9/432, 433, 337; 206/387; D14/121

[56] References Cited

U.S. PATENT DOCUMENTS

D. 276,567	11/1984	Yoshizawa	D14/121	X
D. 279,355	6/1985	Ujii	D9/414	X
D. 327,004	6/1992	Nadel	D9/337	
D. 344,454	2/1994	Suwa et al.	D9/305	
4,501,359	2/1985	Yoshizawa	206/387	

OTHER PUBLICATIONS

"Video Review", Aug. 1982, p. 30, (PD Magnetics Video Cassette).

Primary Examiner—Prabhakar G. Deshmukh

Assistant Examiner—Cheri Cohen

Attorney, Agent, or Firm—Jay H. Maioli

[57] CLAIM

The ornamental design for a package for a tape cassette, as shown and described.

DESCRIPTION

FIG. 1 is a top, front, and right-side perspective view of a package for a tape cassette, showing my new design;

FIG. 2 is a front elevational view thereof;

FIG. 3 is a rear elevational view thereof;

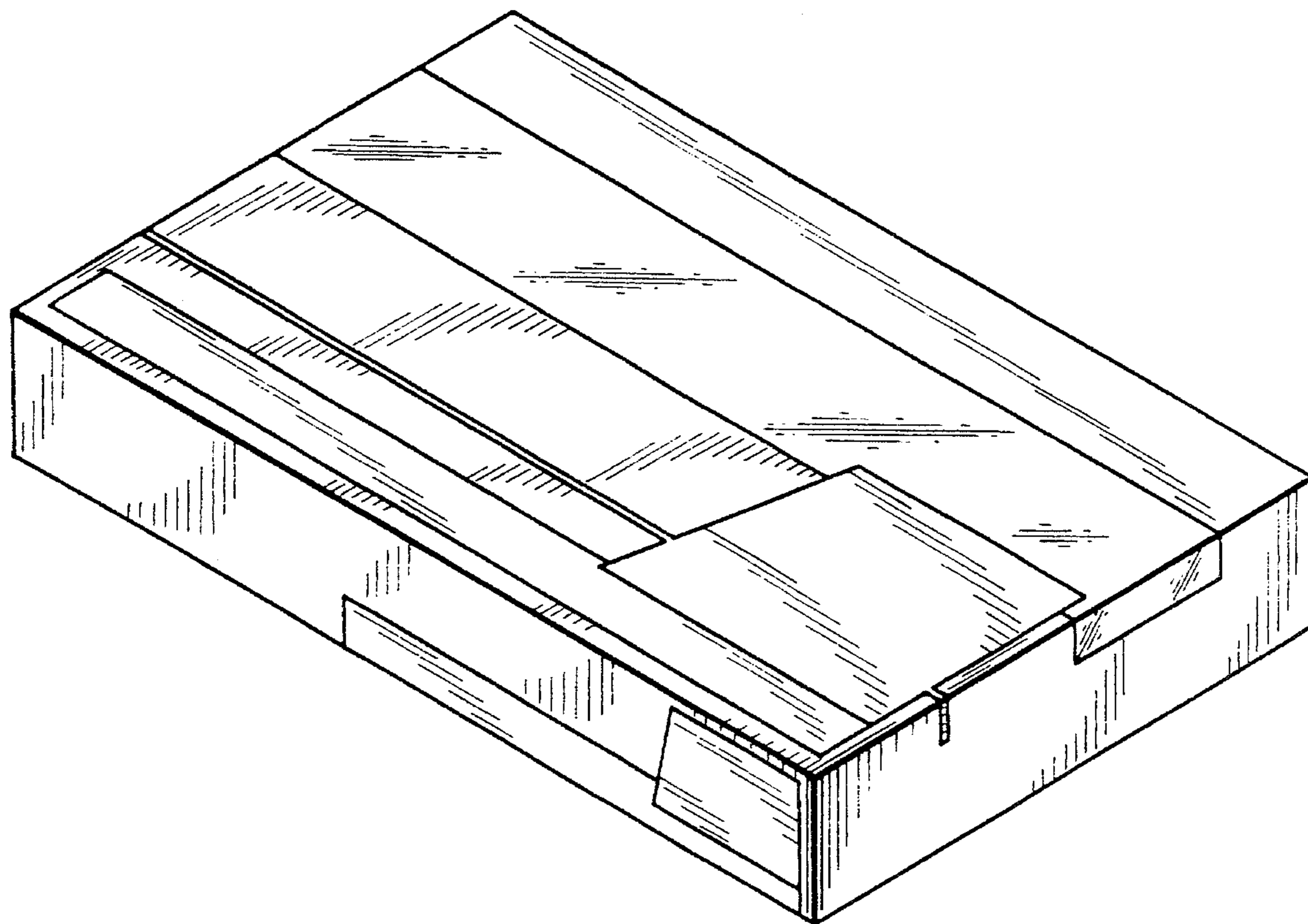
FIG. 4 is a left-side elevational view thereof;

FIG. 5 is a right-side elevational view thereof;

FIG. 6 is a top plan view thereof; and,

FIG. 7 is a bottom plan view thereof.

1 Claim, 3 Drawing Sheets



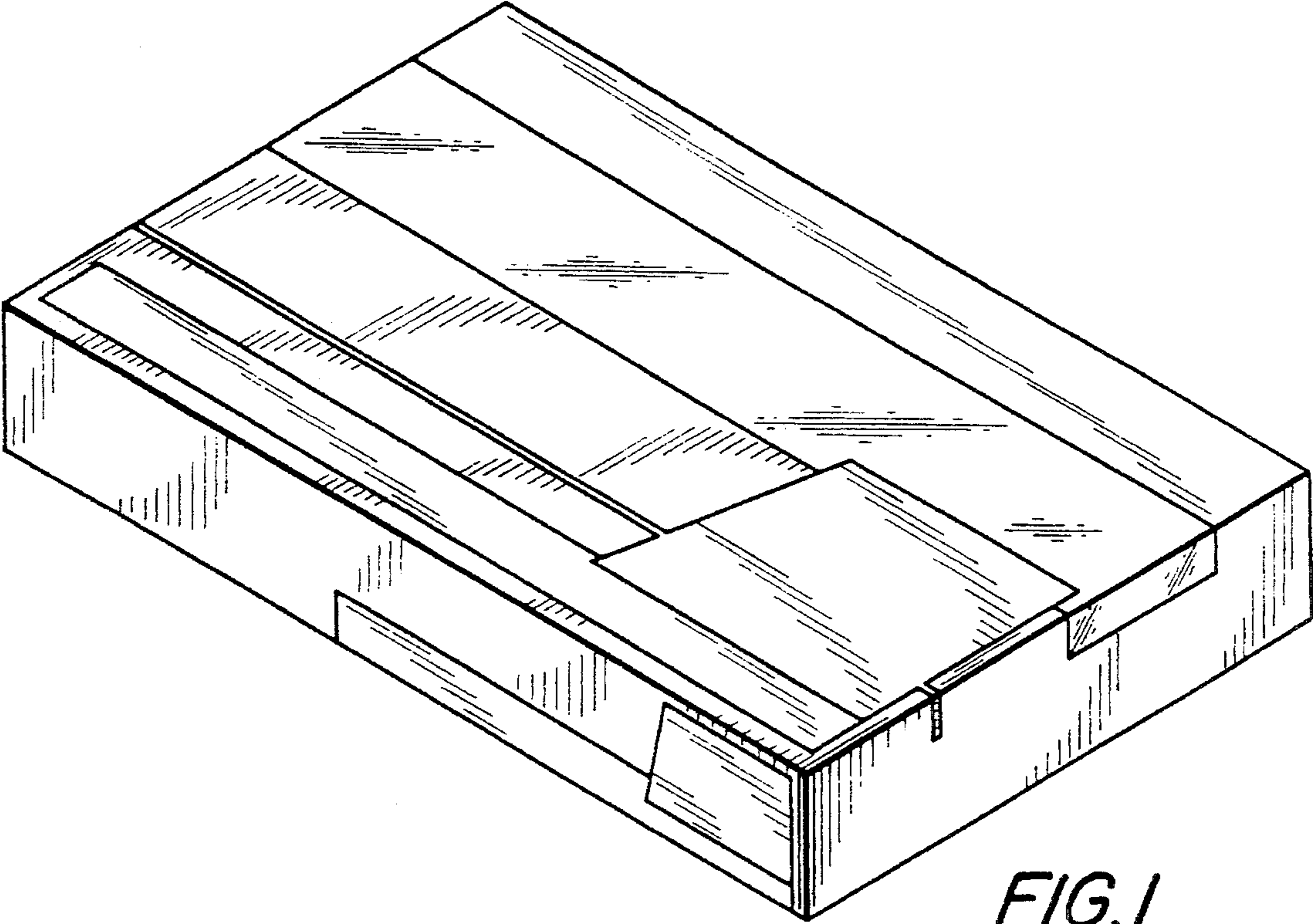
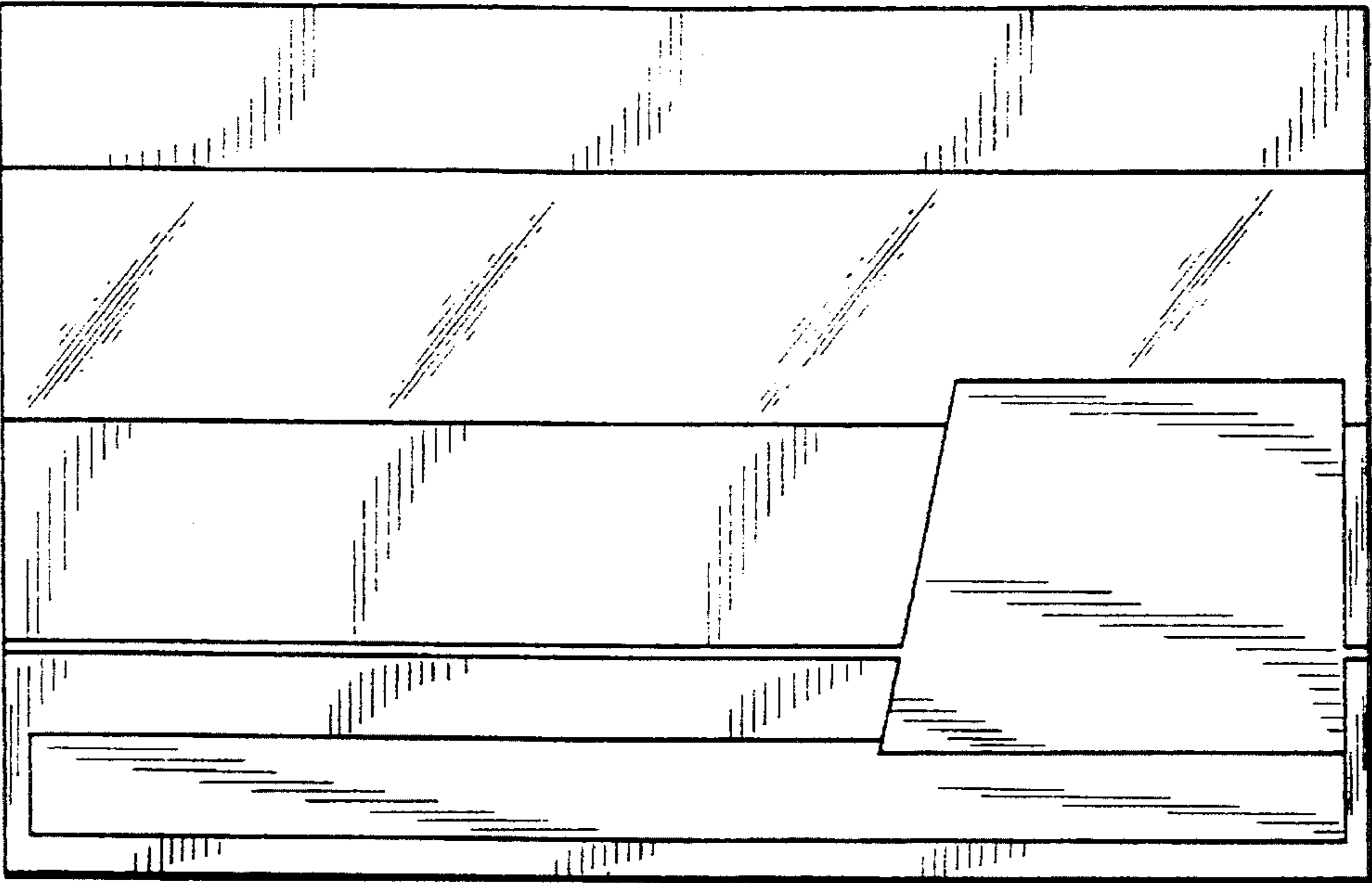


FIG. 1

FIG. 2



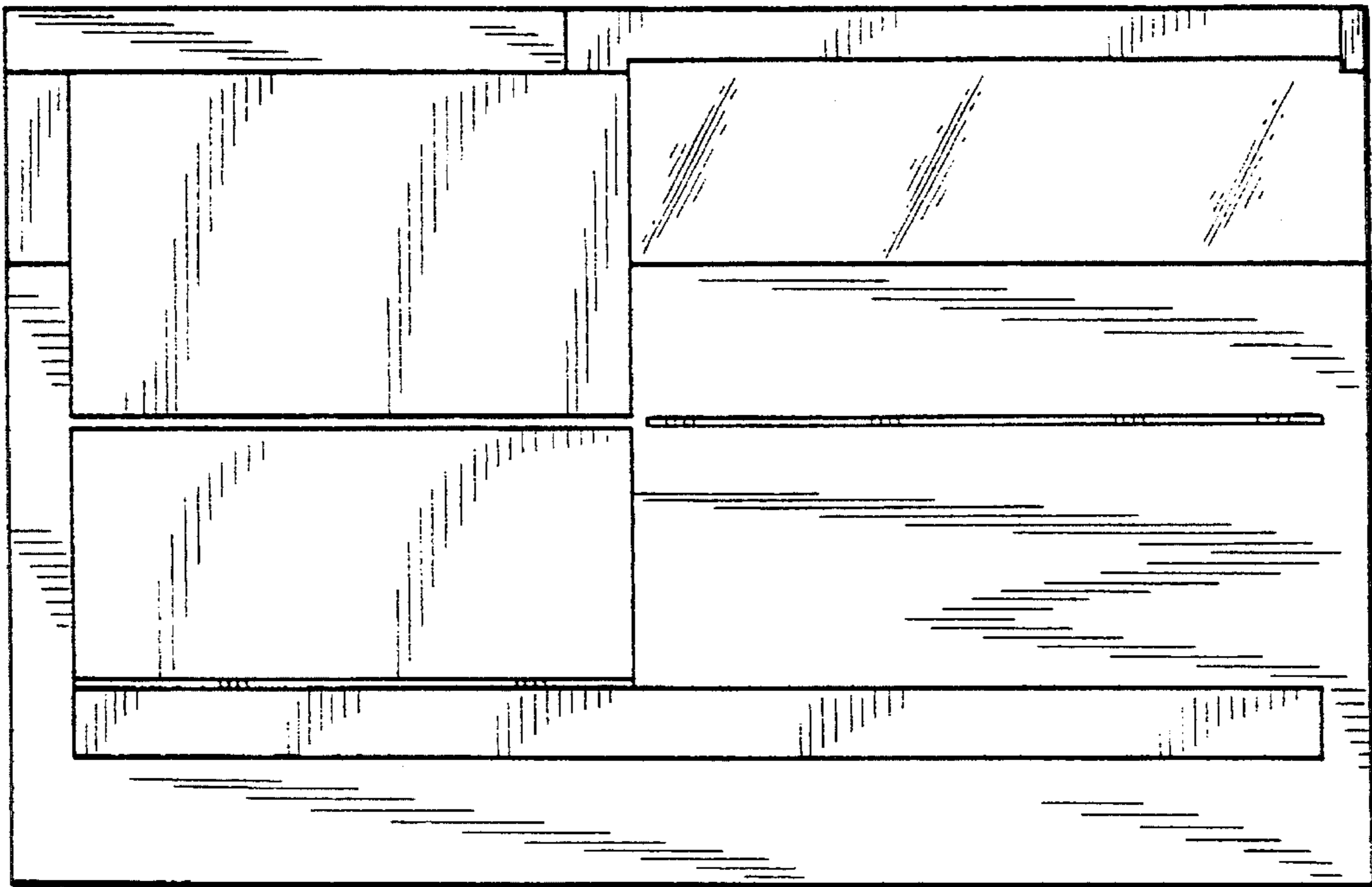


FIG. 3

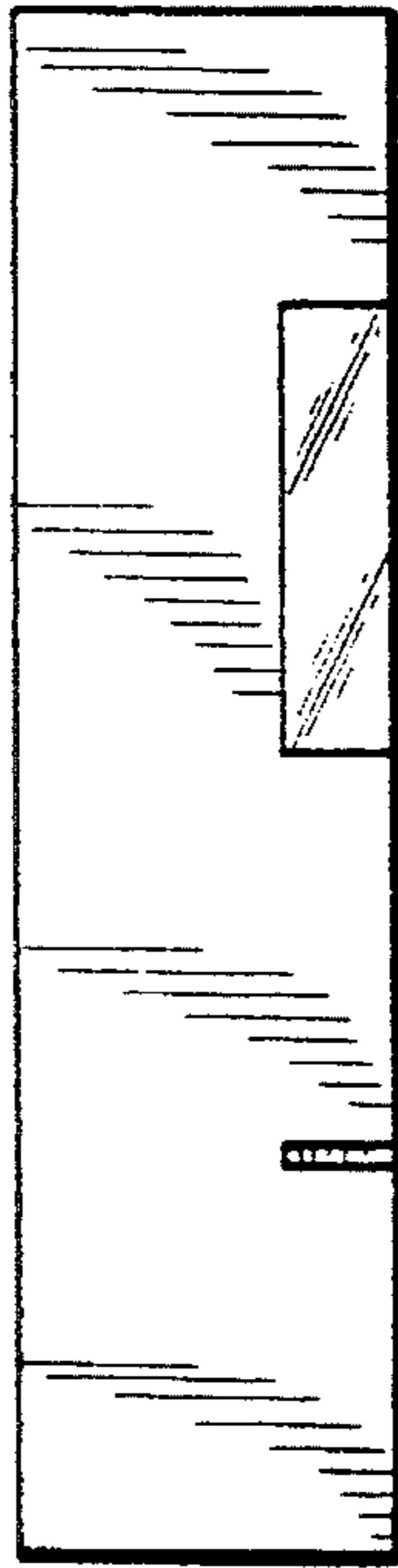


FIG. 4

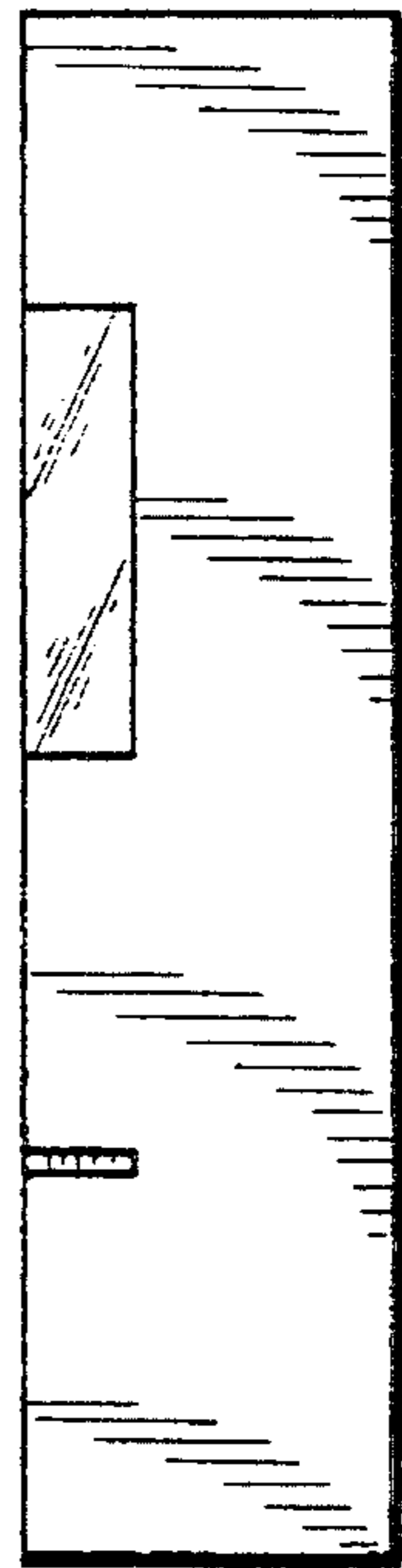


FIG. 5

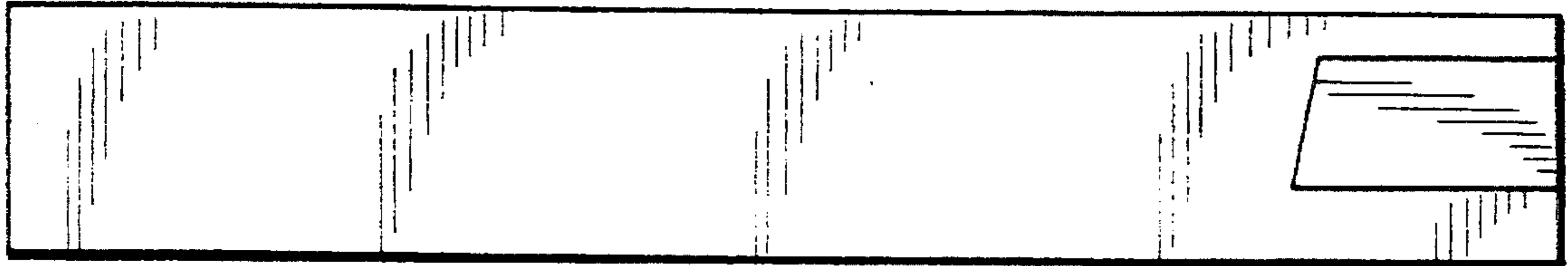


FIG. 6

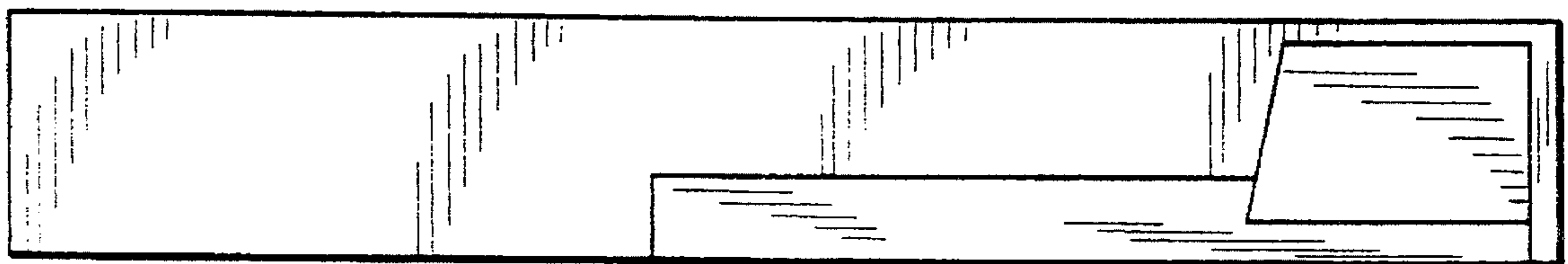


FIG. 7