



US00D362615S

# United States Patent [19]

[11] Patent Number: **Des. 362,615**

Shames et al.

[45] Date of Patent: **\*\*Sep. 26, 1995**

## [54] BATHROOM ACCESSORY FIXTURE

## OTHER PUBLICATIONS

[76] Inventors: **Sidney J. Shames**, 57 Holly Pl., Briarcliff Manor, N.Y. 10510; **Harold Shames**, 5 Agnes Cir., Ardsley, N.Y. 10502

Home Decorators Collection Catalogue p. 56, Avanti items "M" and "N".

*Primary Examiner*—Brian N. Vinson  
*Attorney, Agent, or Firm*—Bullwinkel Partners, Ltd.

[\*\*] Term: **14 Years**

## [57] CLAIM

[21] Appl. No.: **14,402**

The ornamental design for a bathroom accessory fixture, as shown and described.

[22] Filed: **Oct. 19, 1993**

## DESCRIPTION

[52] U.S. Cl. .... **D8/367; D6/524; D6/546**

[58] Field of Search ..... D6/513, 524, 546, D6/553, 567, 531; D8/367; 211/13, 60.1, 86, 87, 123; 248/251, 302-304, 309.1, 315

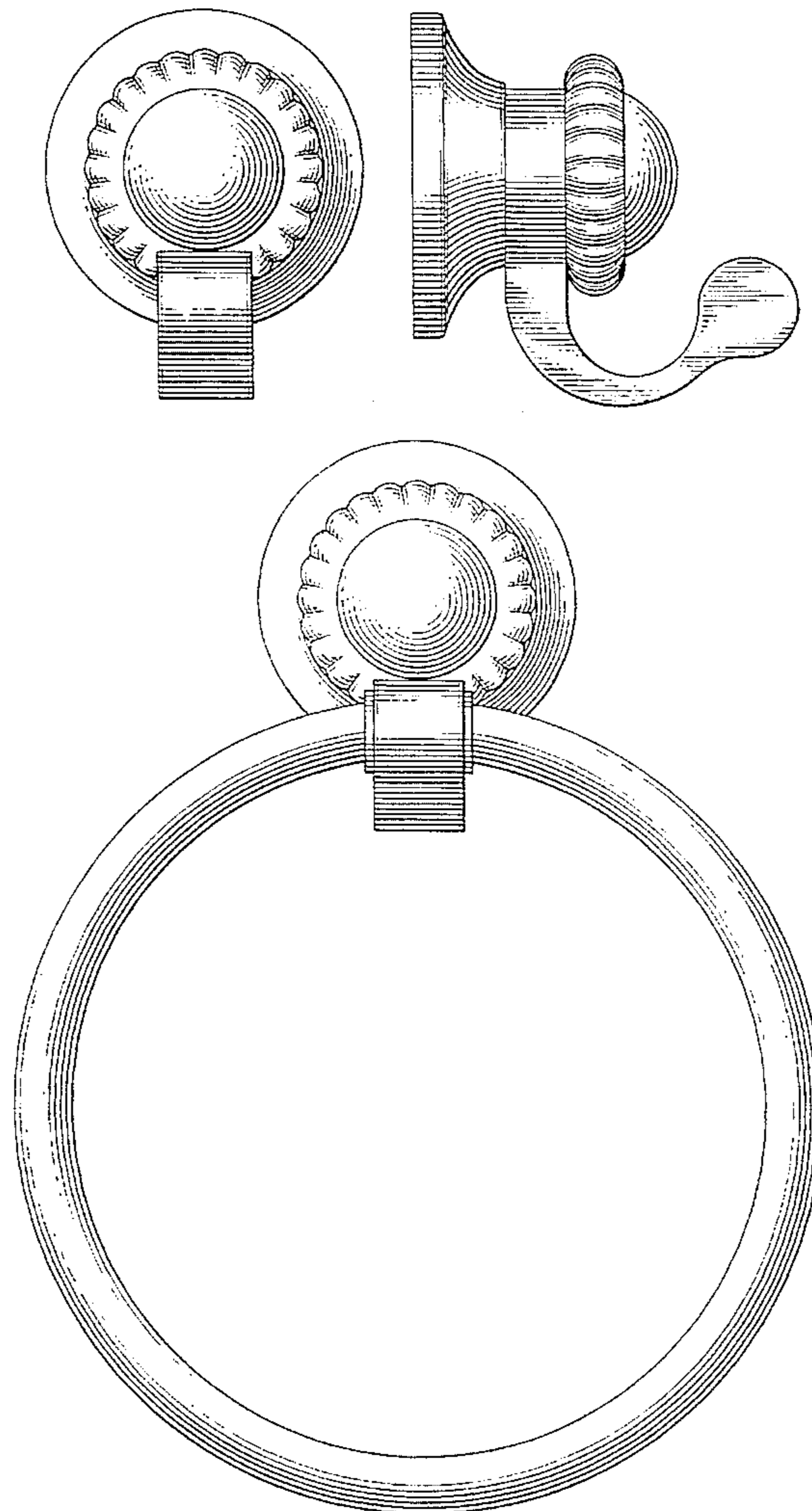
FIG. 1 is a front elevational view of a bathroom accessory fixture showing our new design as embodied in a robe hook; FIG. 2 is a top plan view thereof; FIG. 3 is a bottom plan view thereof; FIG. 4 is a left side elevational view thereof, the right side being a mirror image of that shown; FIG. 5 is a front elevational view of a bathroom accessory fixture showing our new design as embodied in a towel ring; FIG. 6 is a left side elevational view thereof, the right side being a mirror image of that shown; FIG. 7 is a top plan view thereof; and, FIG. 8 is a bottom plan view thereof.

## [56] References Cited

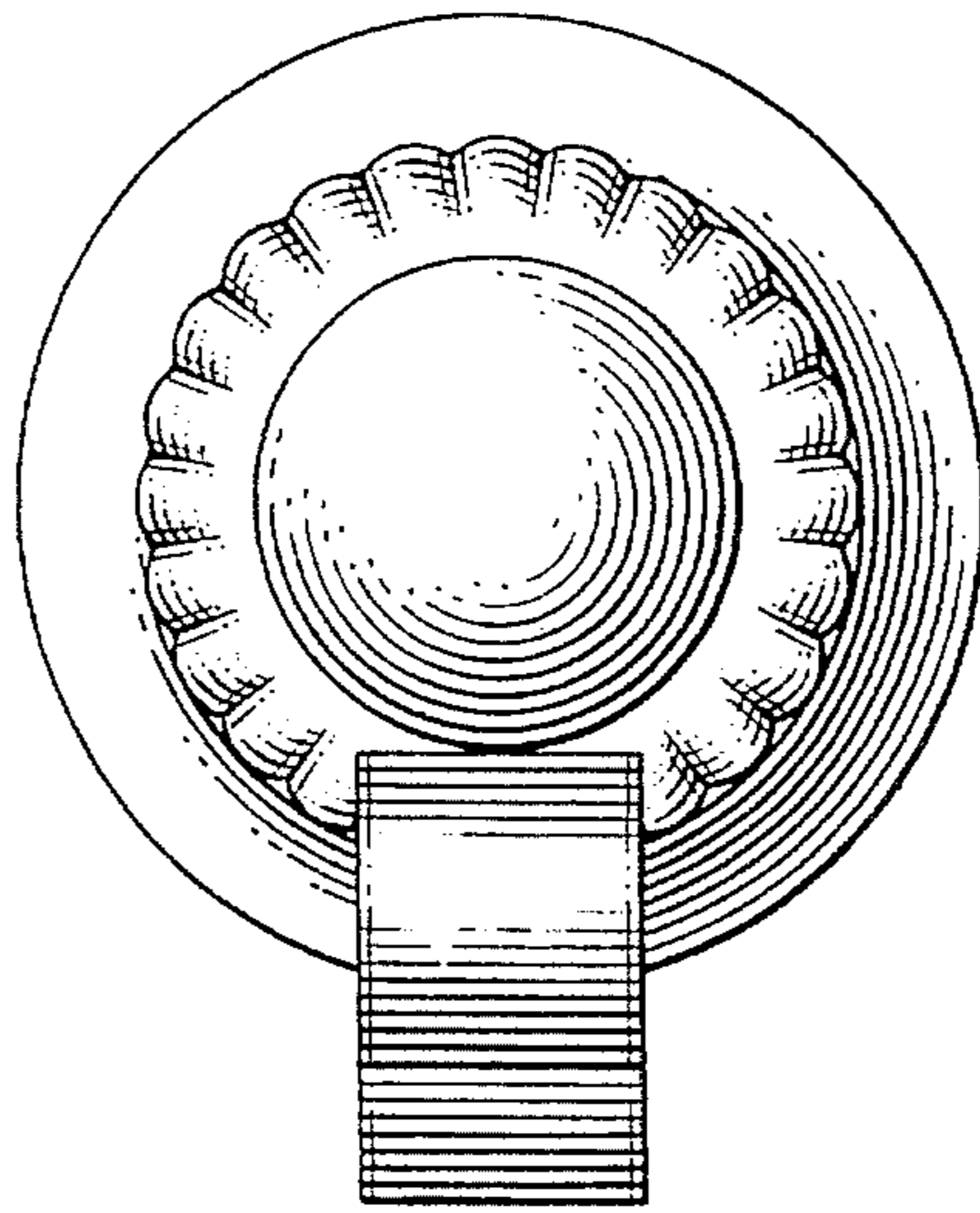
### U.S. PATENT DOCUMENTS

D. 236,323	8/1975	Johnsen et al. ....	D6/546 X
D. 291,519	8/1987	Chap .....	D6/531
D. 299,095	12/1988	Gresens et al. ....	D6/531 X
D. 337,681	7/1993	Sharpe .....	D6/531
D. 346,928	5/1994	Shames et al. ....	D6/540
D. 347,346	5/1994	Shames et al. ....	D6/531

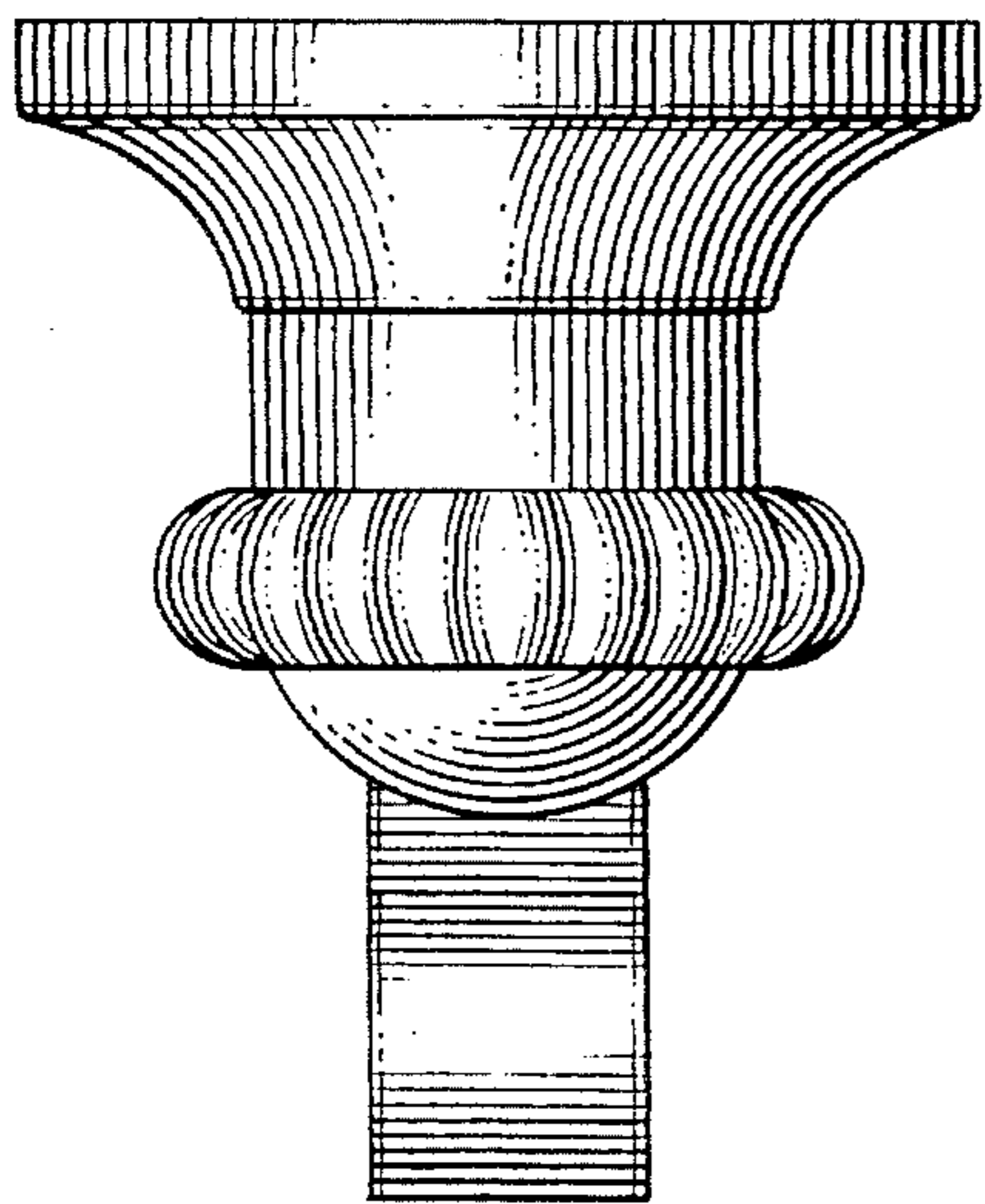
**1 Claim, 5 Drawing Sheets**



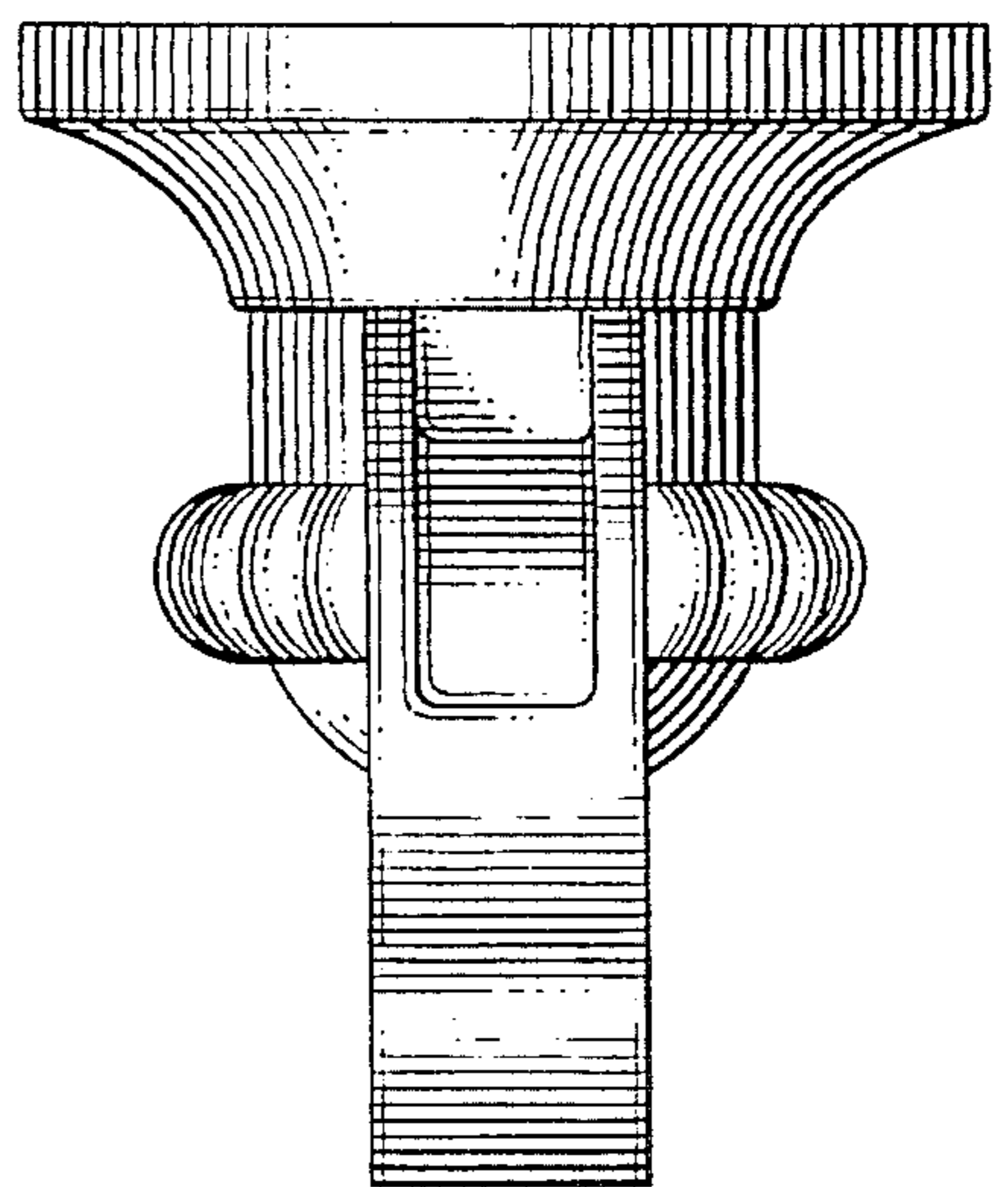
*Fig. 1*



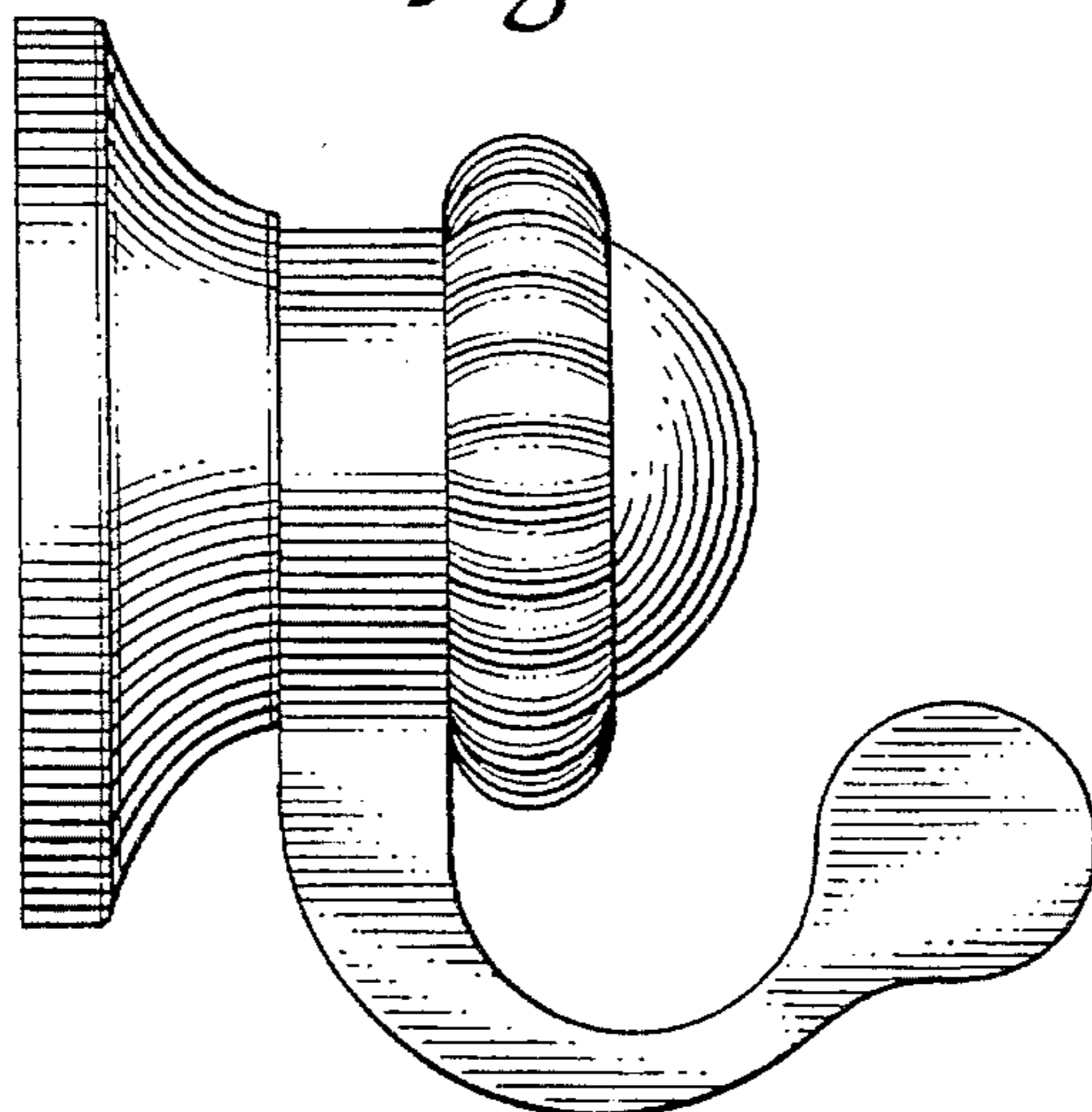
*Fig. 2*



*Fig. 3*

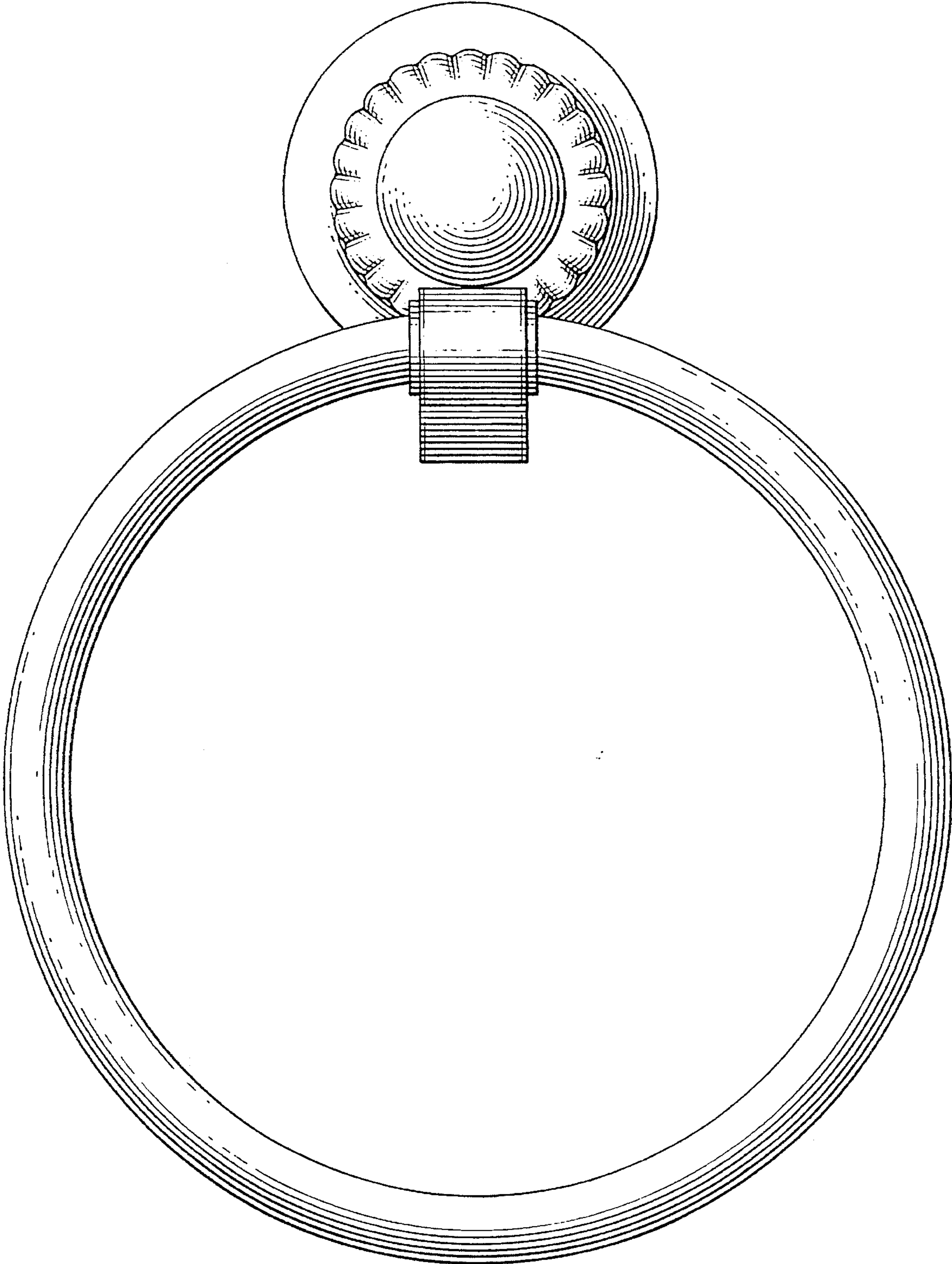


*Fig. 4*

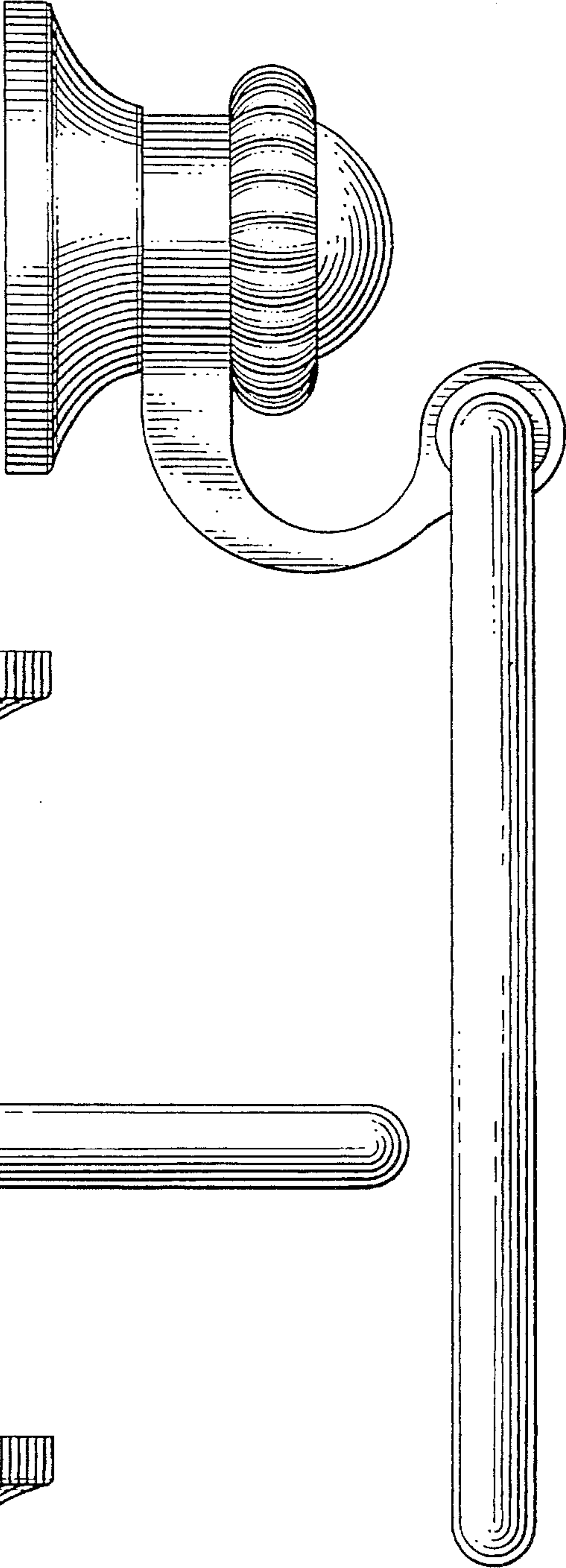




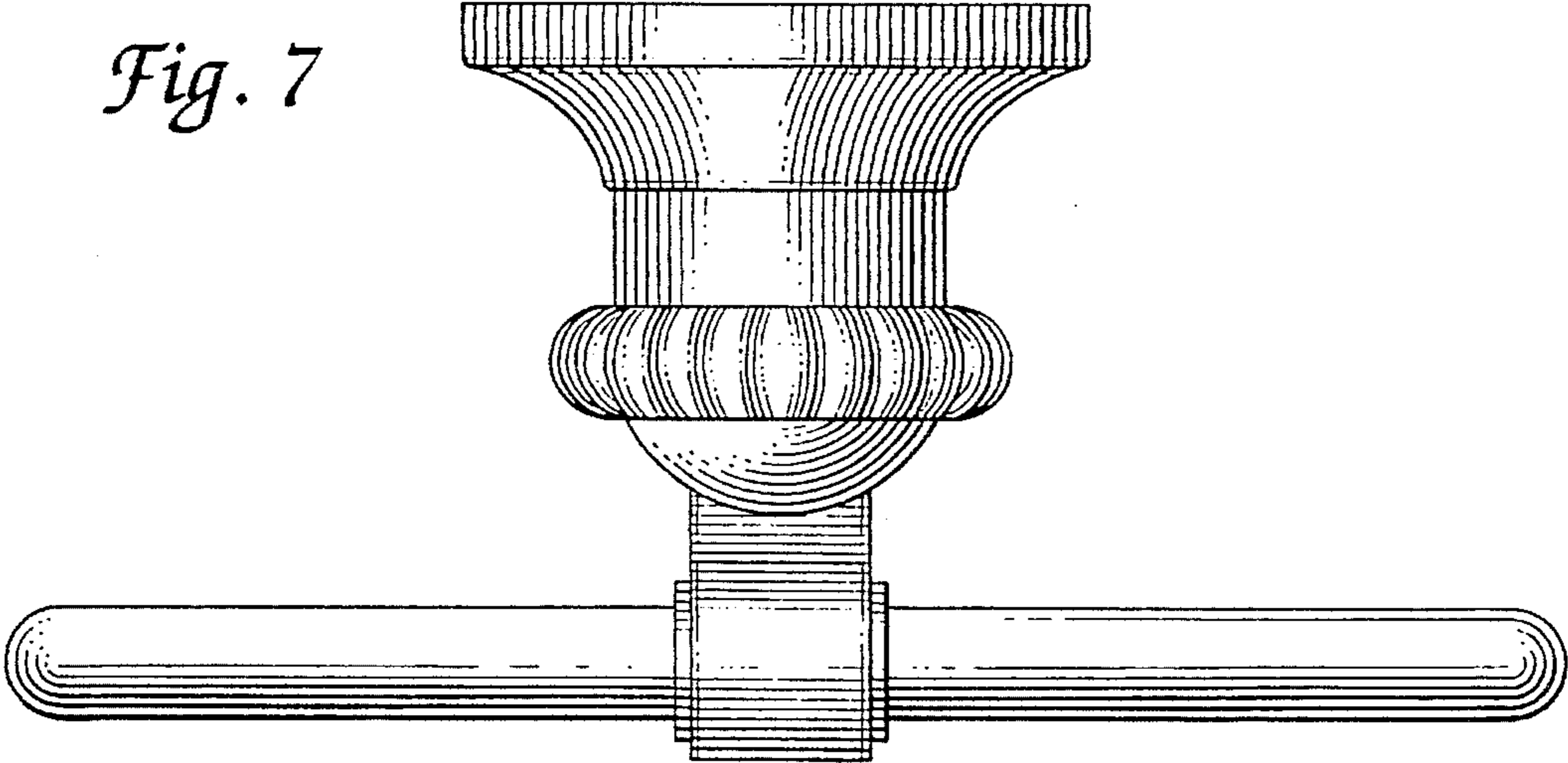
*Fig. 5*



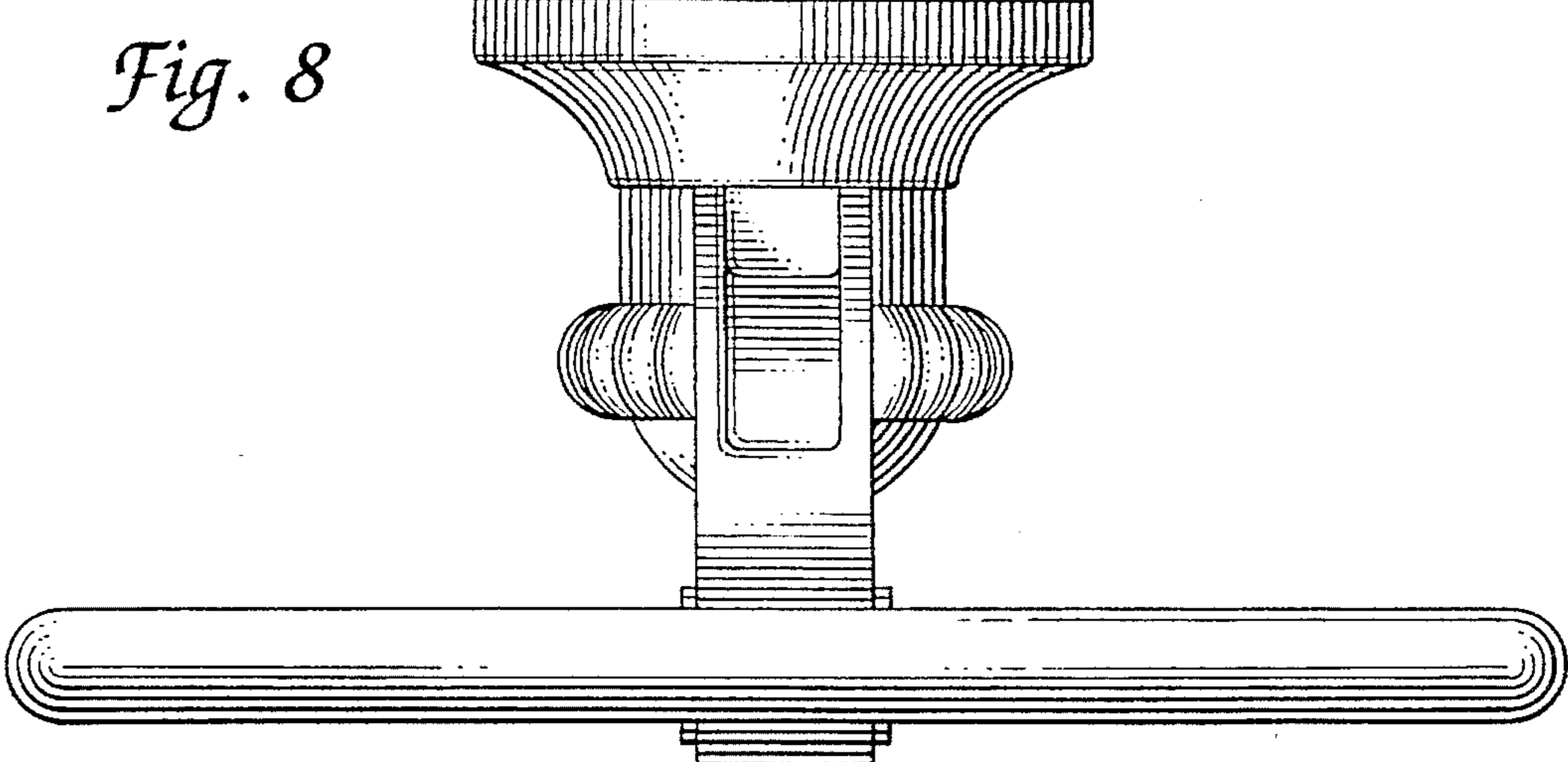
*Fig. 6*



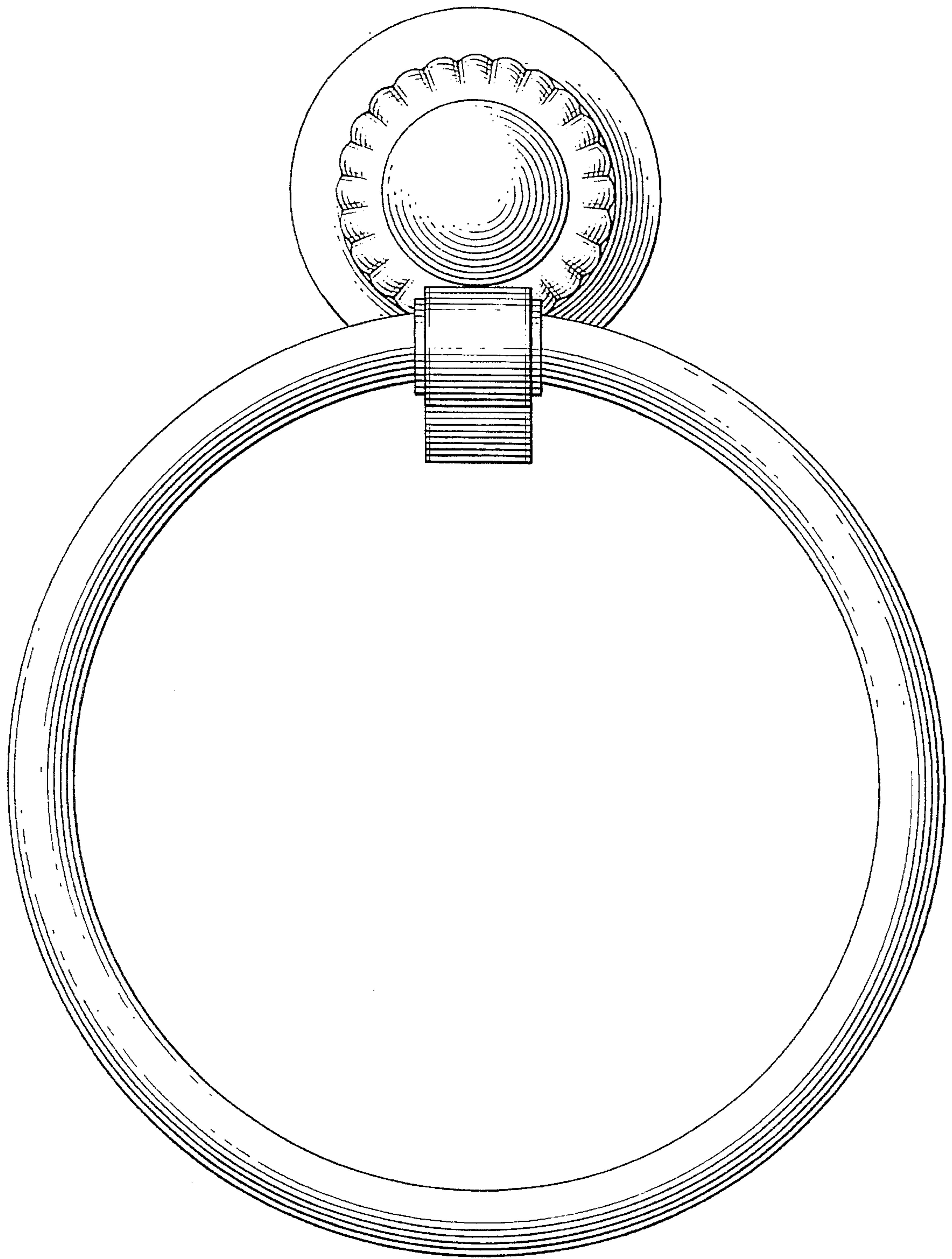
*Fig. 7*



*Fig. 8*

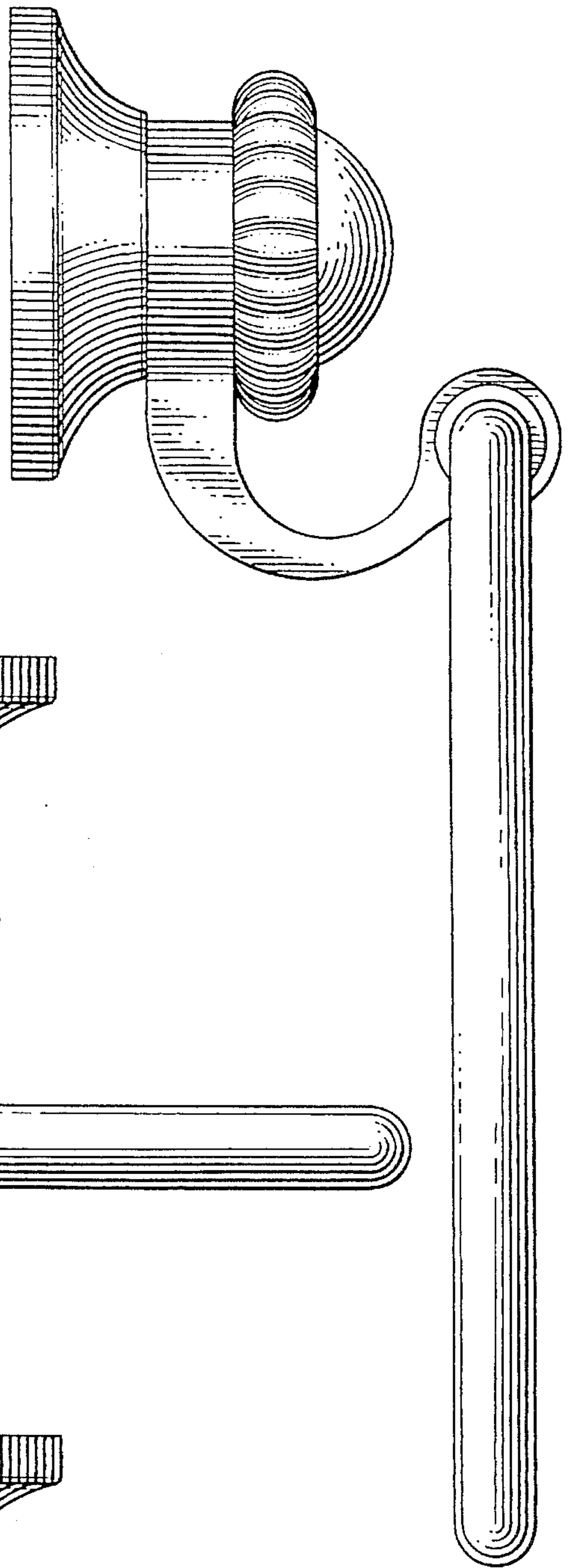


*Fig. 9*

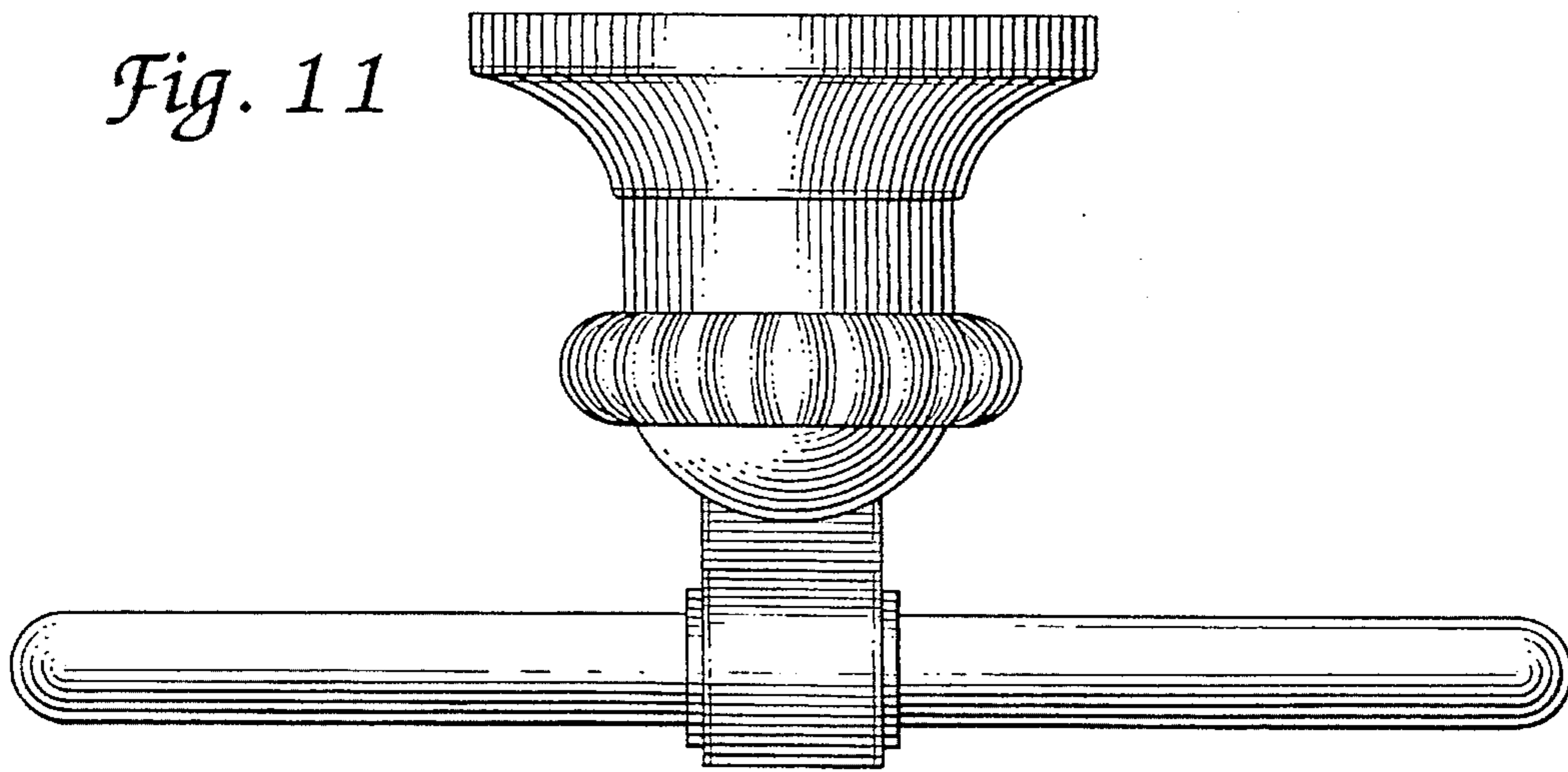




*Fig. 10*



*Fig. 11*



*Fig. 12*

