



US00D362608S

United States Patent [19]

[11] Patent Number: **Des. 362,608**

Hewitt

[45] Date of Patent: ****Sep. 26, 1995**

[54] **ROLLER STAND**

[76] Inventor: **Timothy Hewitt**, P.O. Box 839, Royal Oak, Mich. 48068-0839

[**] Term: **14 Years**

[21] Appl. No.: **20,318**

[22] Filed: **Mar. 23, 1994**

[52] U.S. Cl. **D8/71**

[58] Field of Search D8/71, 61; 248/129, 248/168, 413, 161, 248, 127, 176, 188

[56] **References Cited**

U.S. PATENT DOCUMENTS

D. 325,505	4/1992	Hernandez	D8/71
D. 333,961	3/1993	Briscoe	D8/71
D. 338,820	8/1993	Sheftel	D8/71
D. 350,888	9/1994	Perry	D8/71
4,085,763	4/1978	Thomas	248/413
4,520,981	6/1985	Harrigan	248/413

Primary Examiner—Alan P. Douglas
Assistant Examiner—Jeffrey H. Musgrove
Attorney, Agent, or Firm—Gifford, Krass, Groh, Sprinkle, Patmore, Anderson & Citkowski

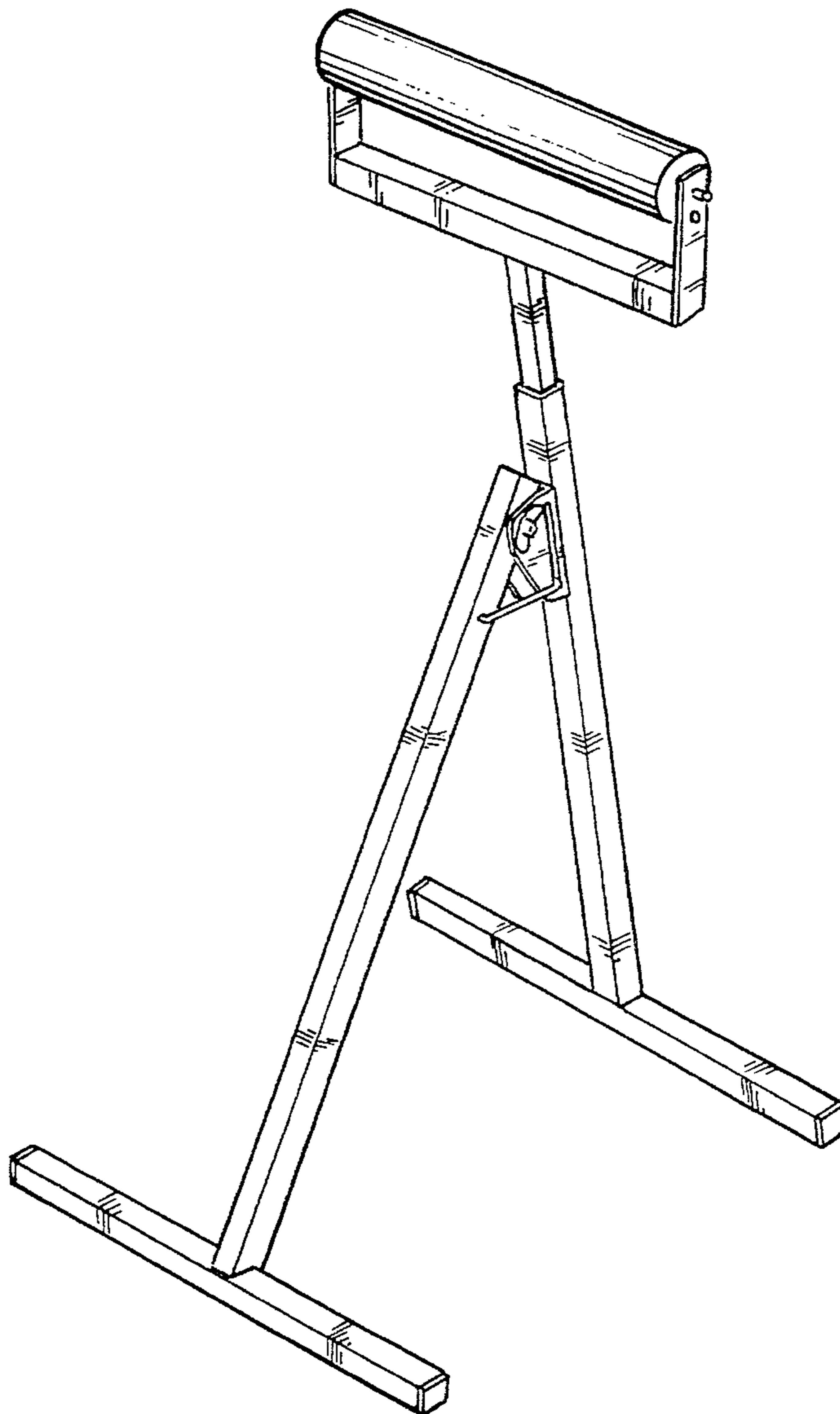
[57] **CLAIM**

The ornamental design for roller stand, as shown and described.

DESCRIPTION

FIG. 1 is a perspective view of a roller stand showing my new design;
FIG. 2 is a front end view thereof;
FIG. 3 is a left side view thereof;
FIG. 4 is a fragmentary right side view thereof;
FIG. 5 is a fragmentary rear end view thereof;
FIG. 6 is a top view thereof; and,
FIG. 7 is a bottom view thereof.

1 Claim, 3 Drawing Sheets



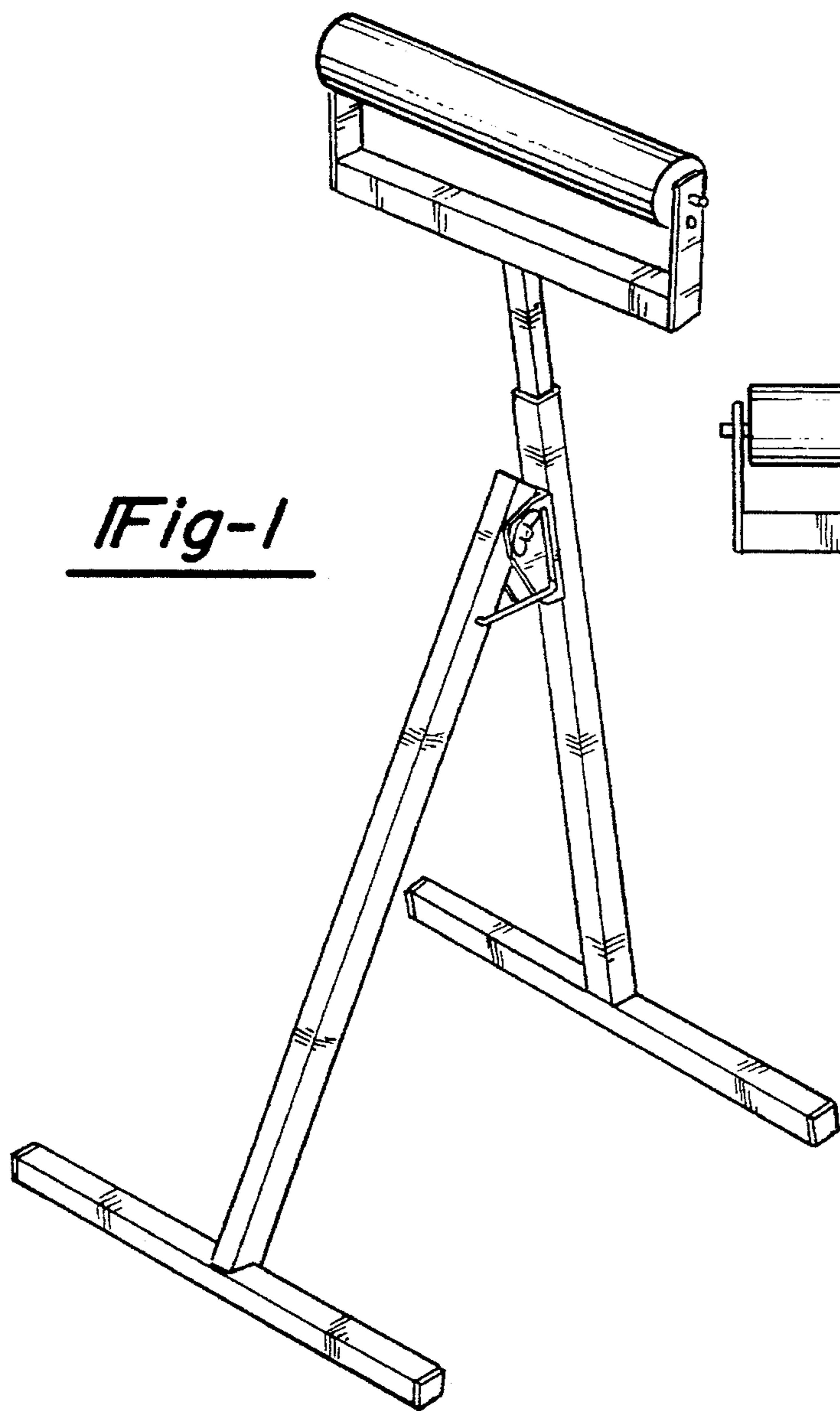


Fig-1

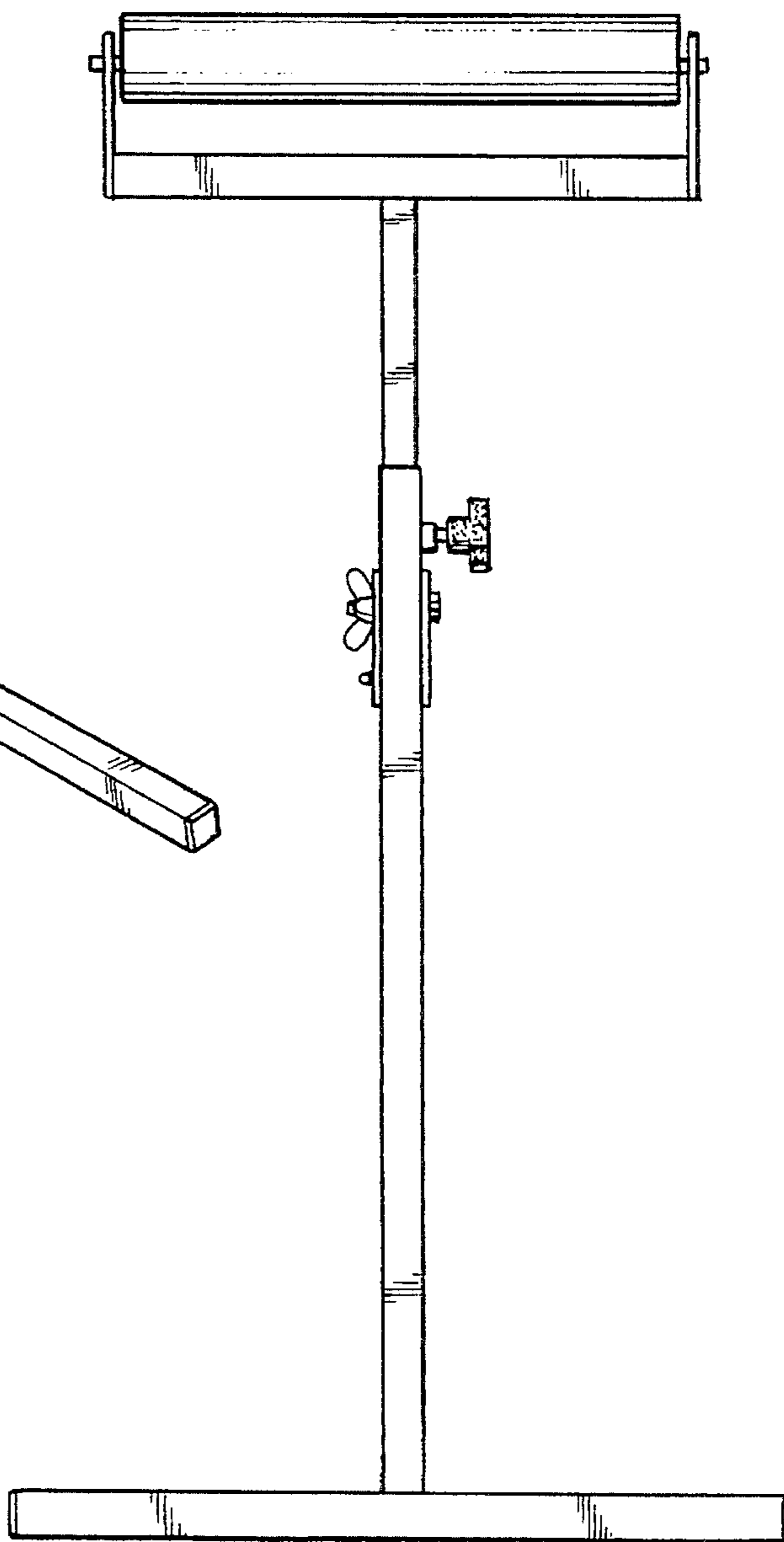


Fig-2

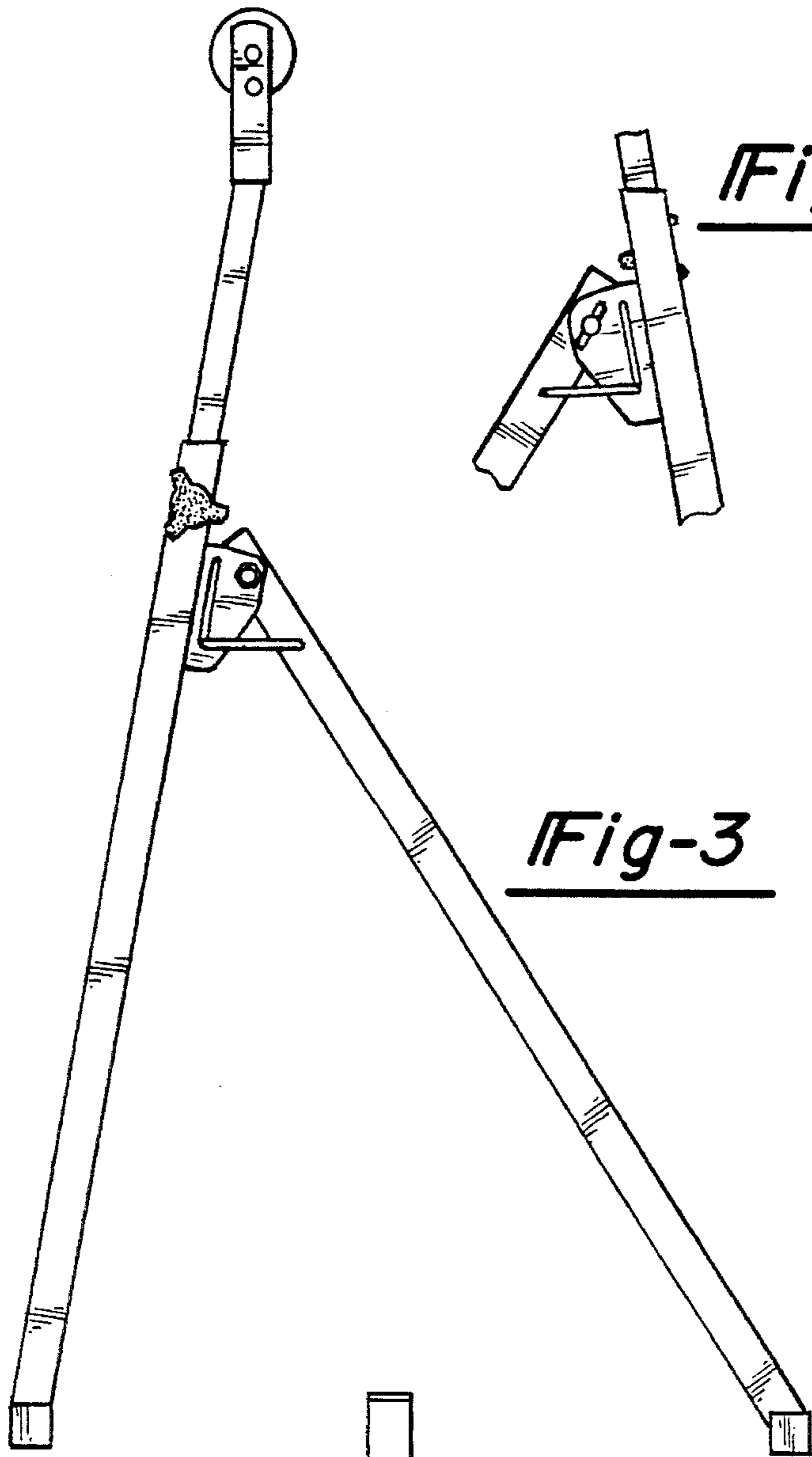


Fig-3

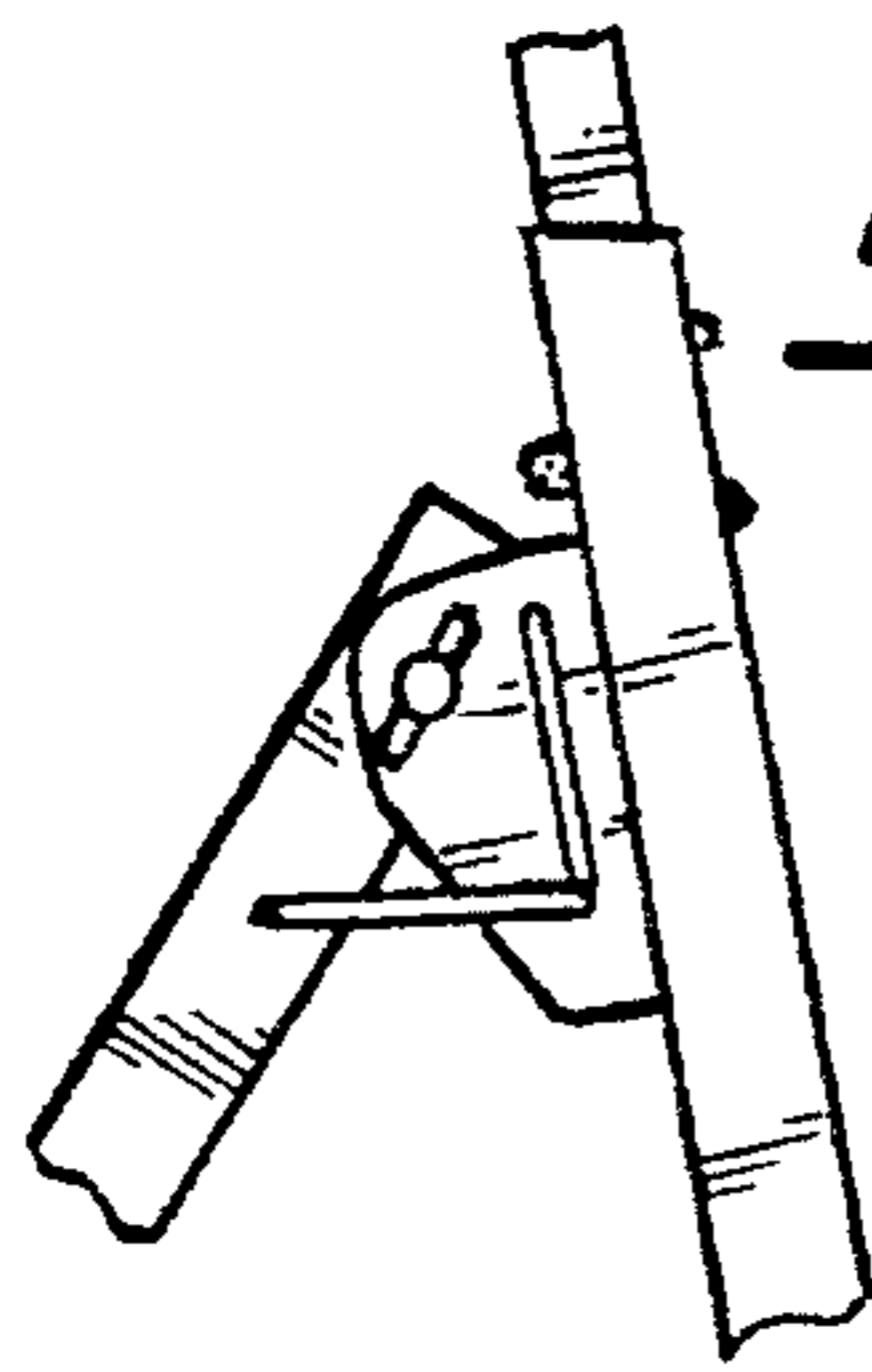


Fig-4

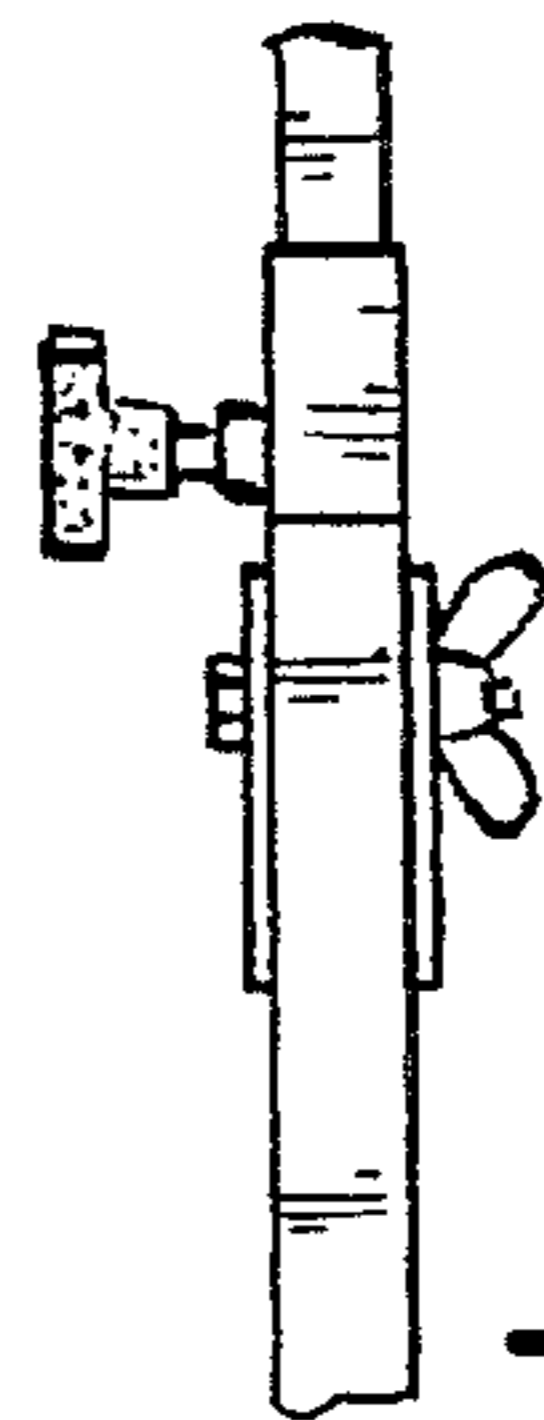


Fig-5

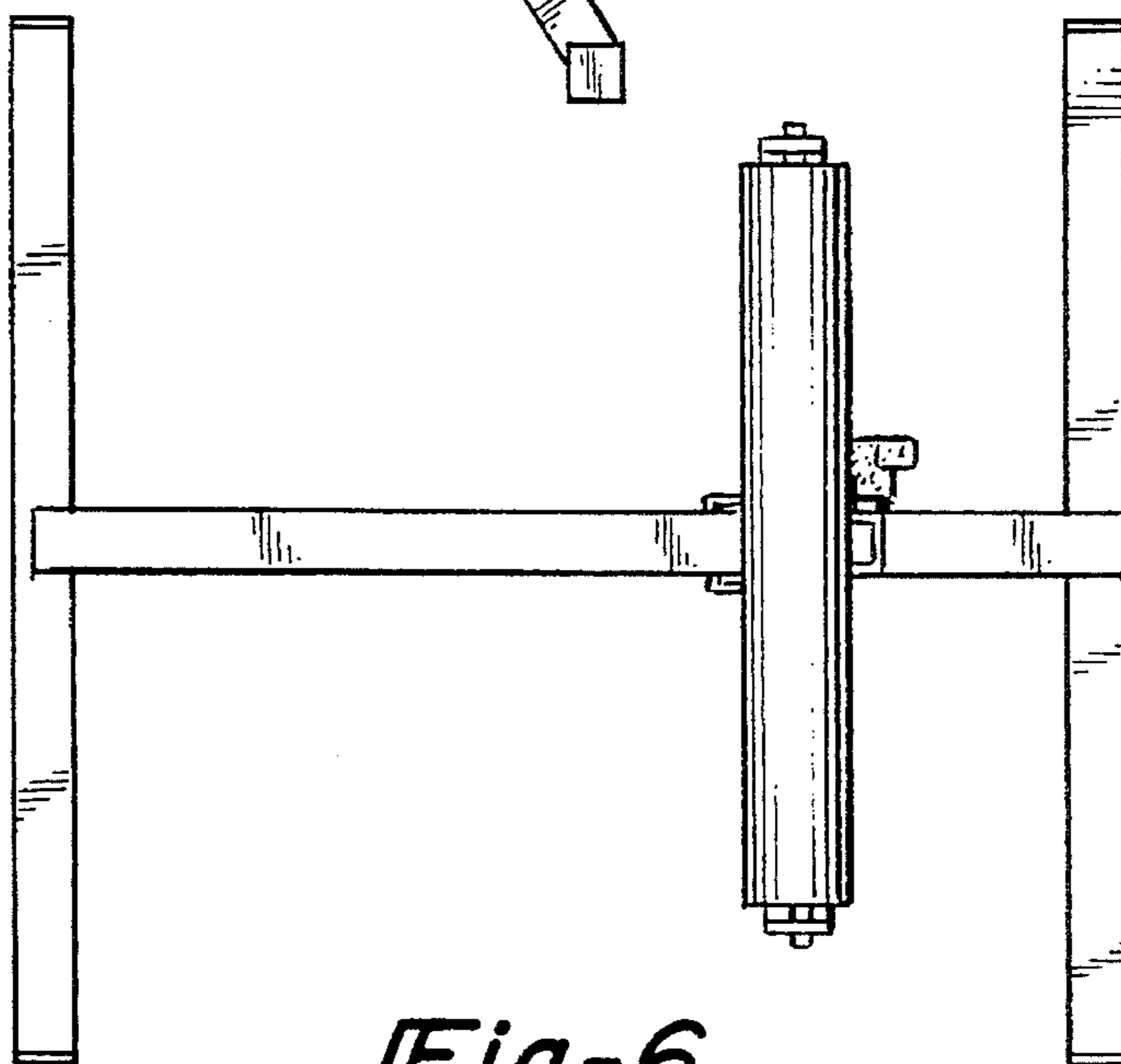


Fig-6

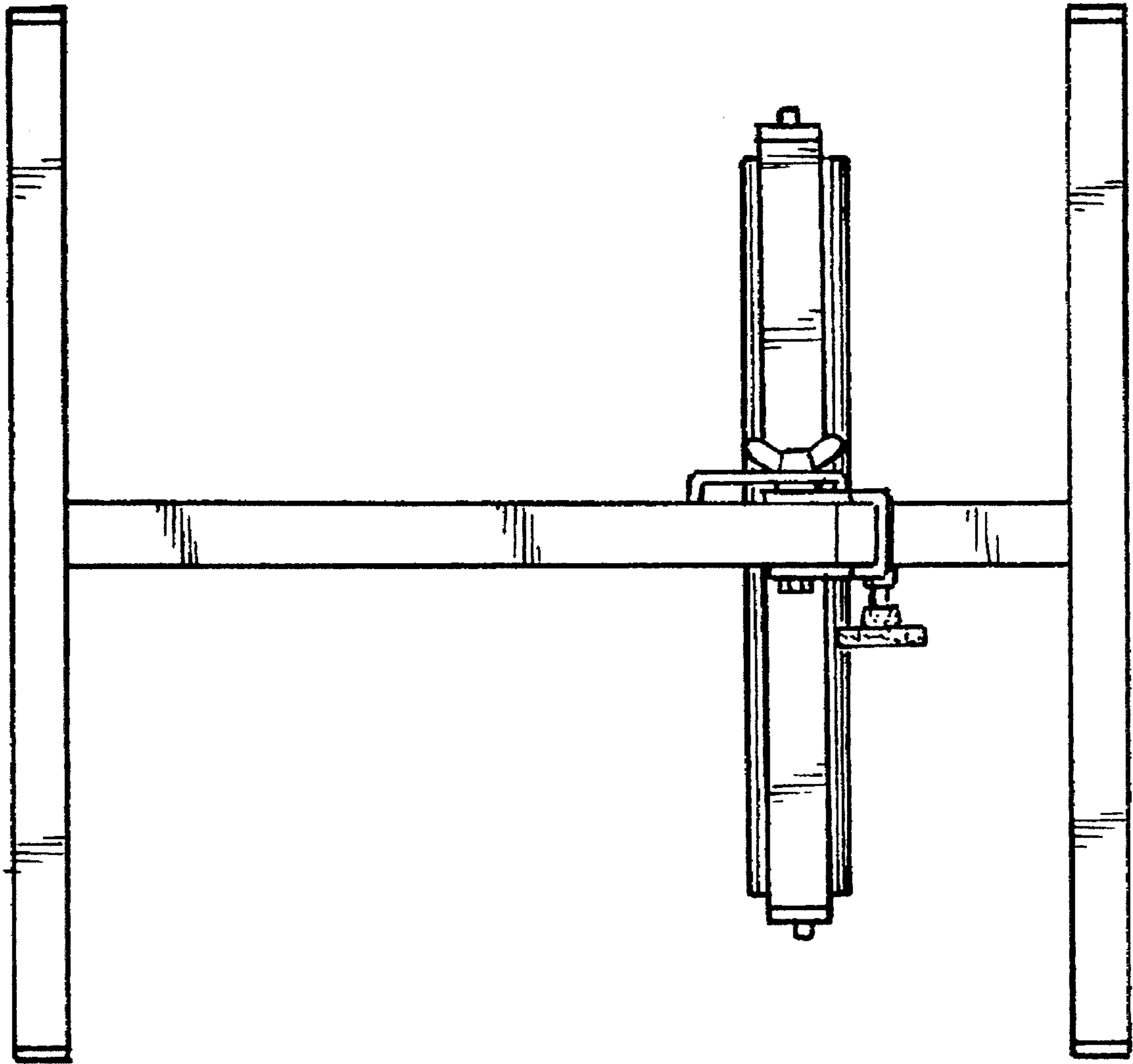


Fig-7