



US00D362606S

United States Patent [19]

[11] Patent Number: **Des. 362,606**

Deschenes et al.

[45] Date of Patent: ****Sep. 26, 1995**

[54] **FASTENER DISPENSING TOOL**

D. 332,491	1/1993	Kraus et al.	D24/145
4,533,076	8/1985	Bourque	227/71
5,020,713	6/1991	Kunreuther	227/67
5,205,458	4/1993	Kunreuther	227/67

[75] Inventors: **Charles L. Deschenes**, North Attleboro; **Terence J. Jones**, Bolton, both of Mass.; **William J. Cooper**, Woonsocket, R.I.

Primary Examiner—Ted Shooman
Assistant Examiner—Philip Hyder
Attorney, Agent, or Firm—Kriegsman & Kriegsman

[73] Assignee: **Avery Dennison Corporation**, Pasadena, Calif.

[57] **CLAIM**

[**] Term: **14 Years**

The ornamental design for a fastener dispensing tool, as shown.

[21] Appl. No.: **28,568**

DESCRIPTION

[22] Filed: **Sep. 19, 1994**

[52] U.S. Cl. **D8/51**; D8/49

[58] Field of Search D8/51, 49, 52, D8/14; 227/67, 71, 101, 103; D24/145

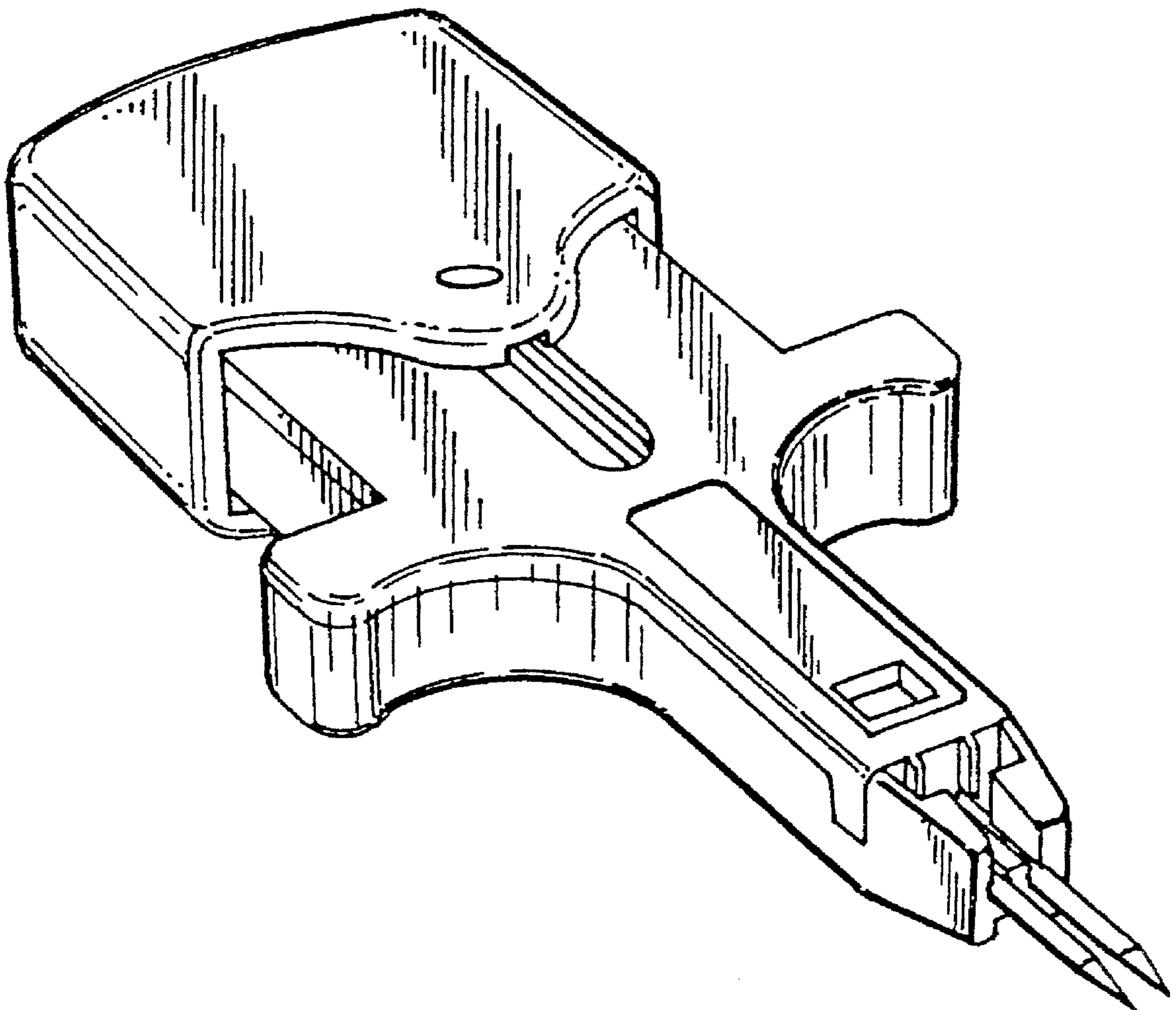
FIG. 1 is a perspective view of a fastener dispensing tool showing our new design;
FIG. 2 is a top view thereof;
FIG. 3 is a bottom view thereof;
FIG. 4 is a left side view thereof;
FIG. 5 is a right side view thereof;
FIG. 6 is a front view thereof; and,
FIG. 7 is a rear view thereof.

[56] **References Cited**

U.S. PATENT DOCUMENTS

D. 272,851	2/1984	Green et al.	D8/49
D. 273,171	3/1984	Bone	D8/49
D. 278,656	4/1985	Green et al.	D8/49

1 Claim, 2 Drawing Sheets



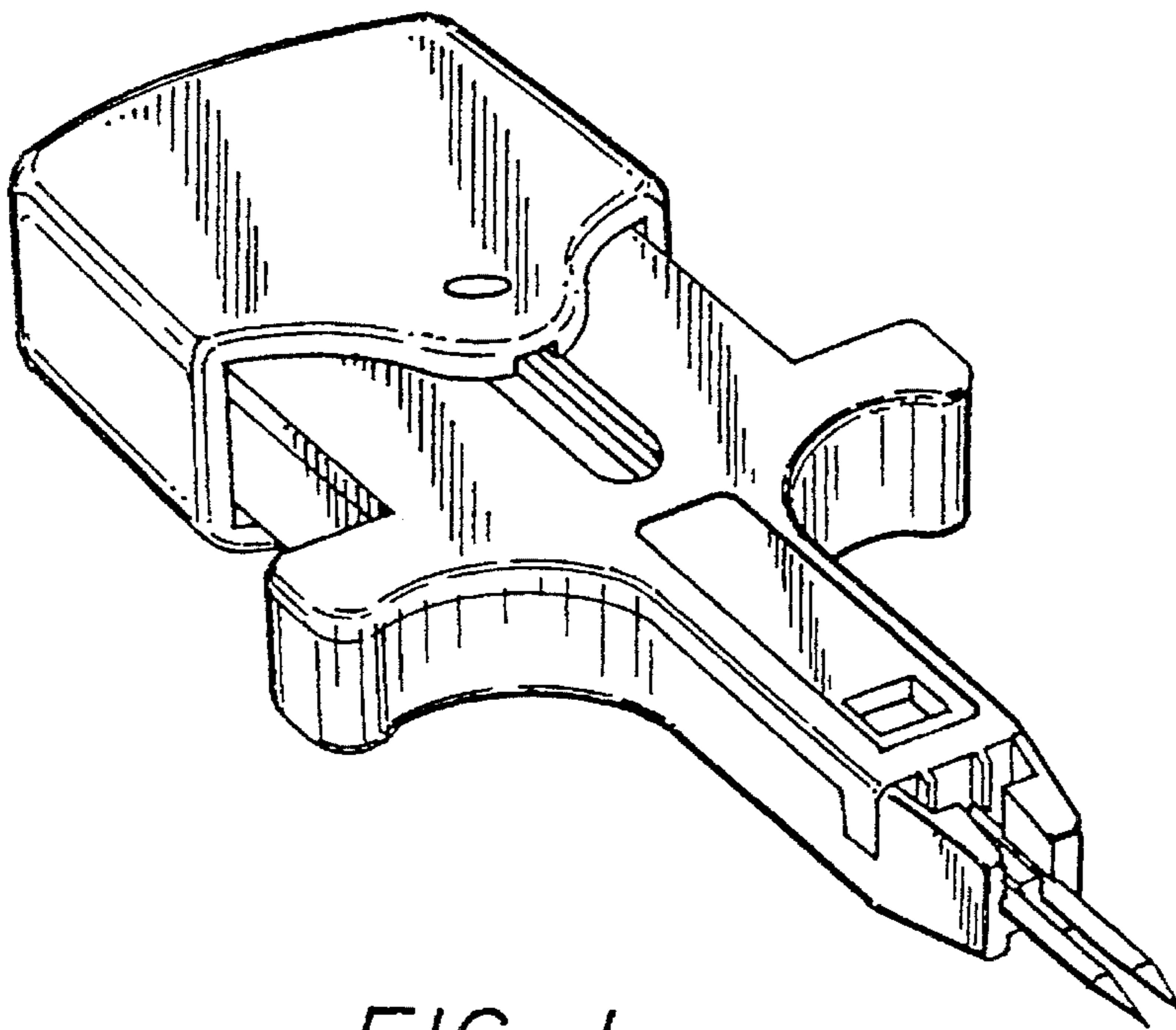


FIG. 1

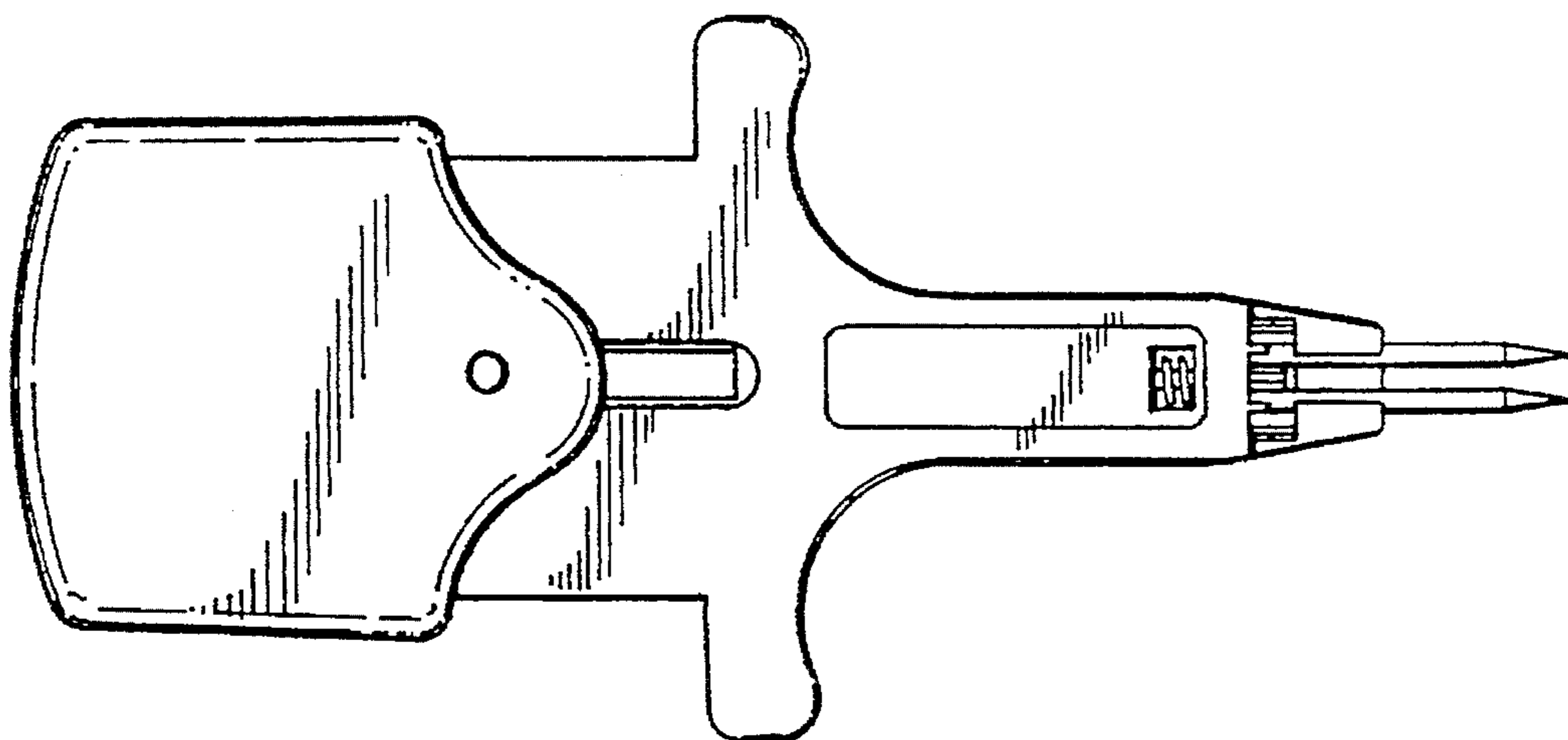


FIG. 2

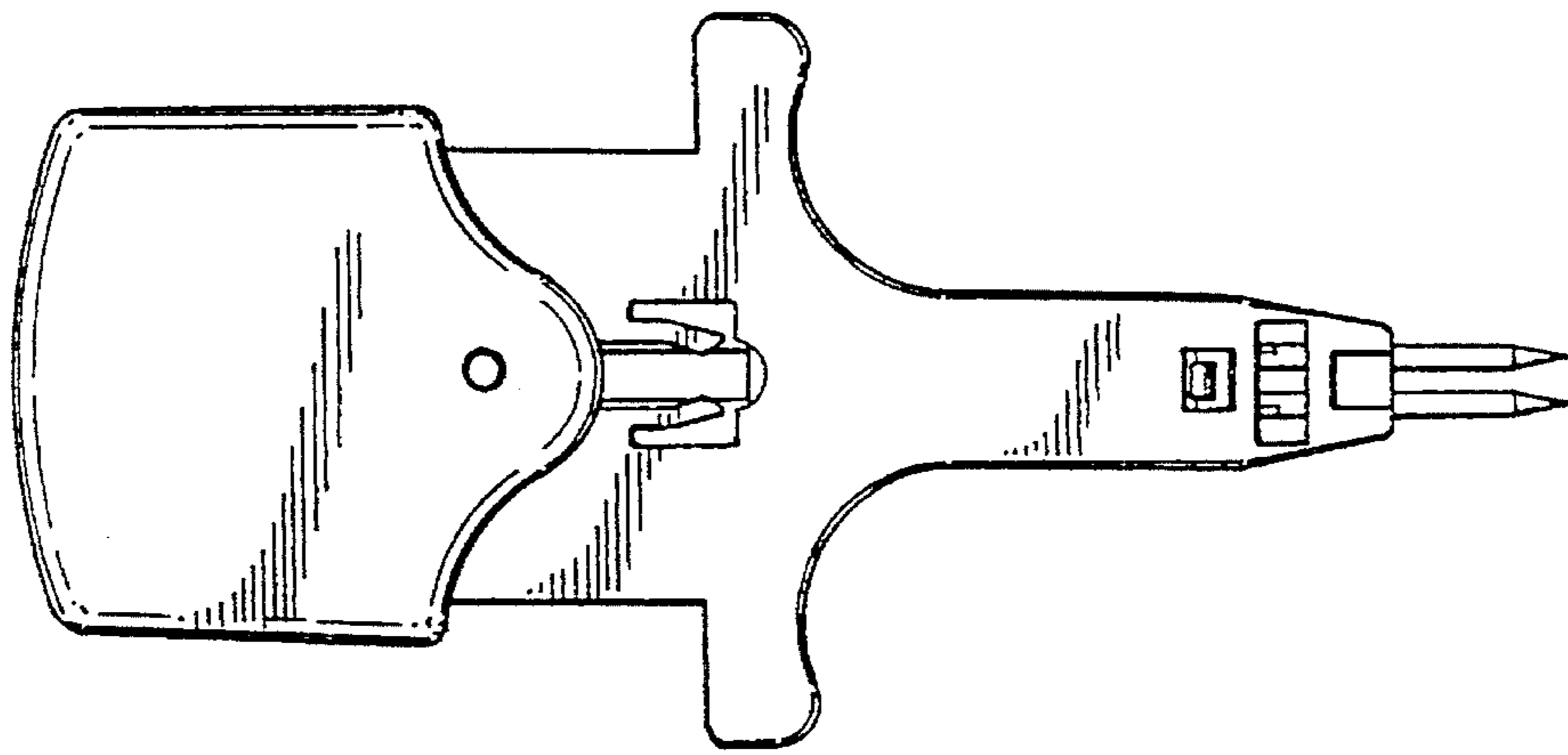


FIG. 3

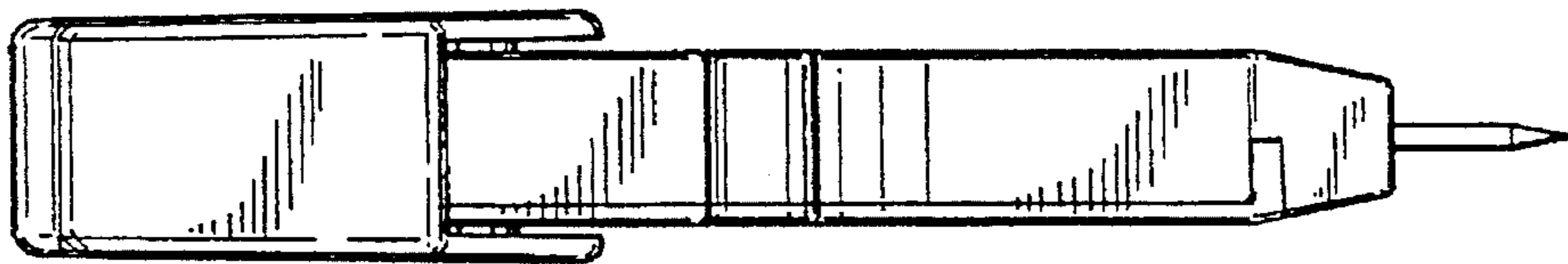


FIG. 4

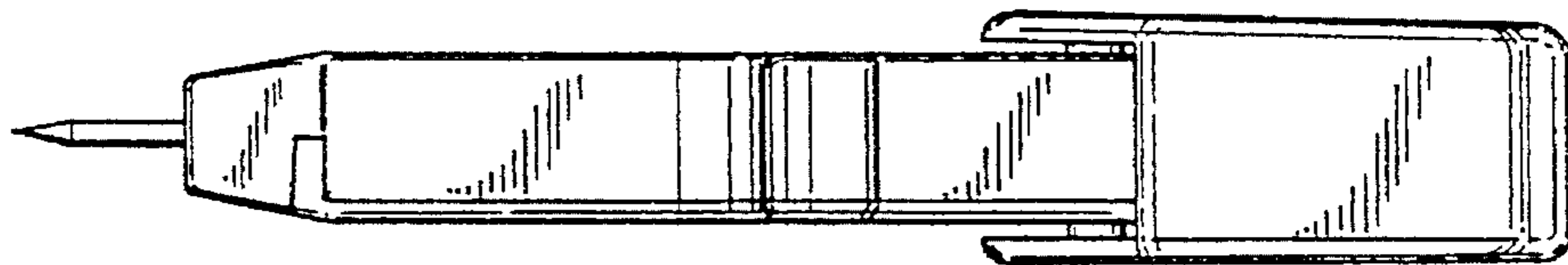


FIG. 5

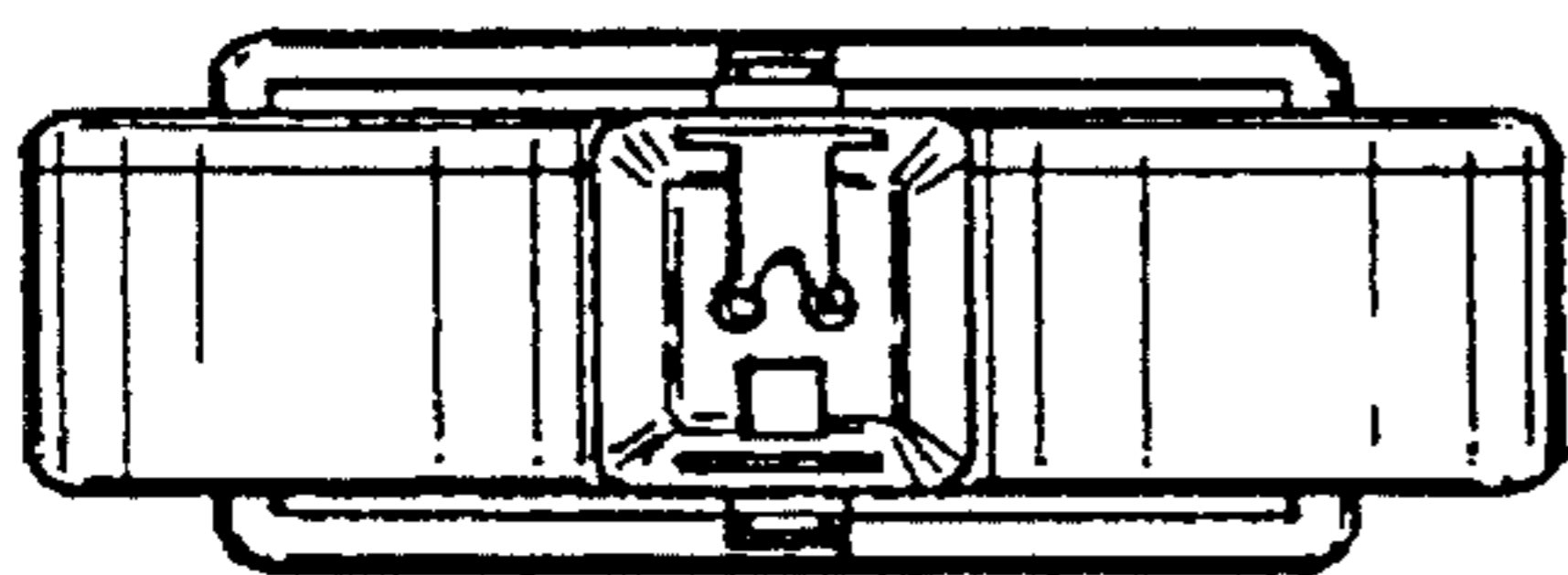


FIG. 6

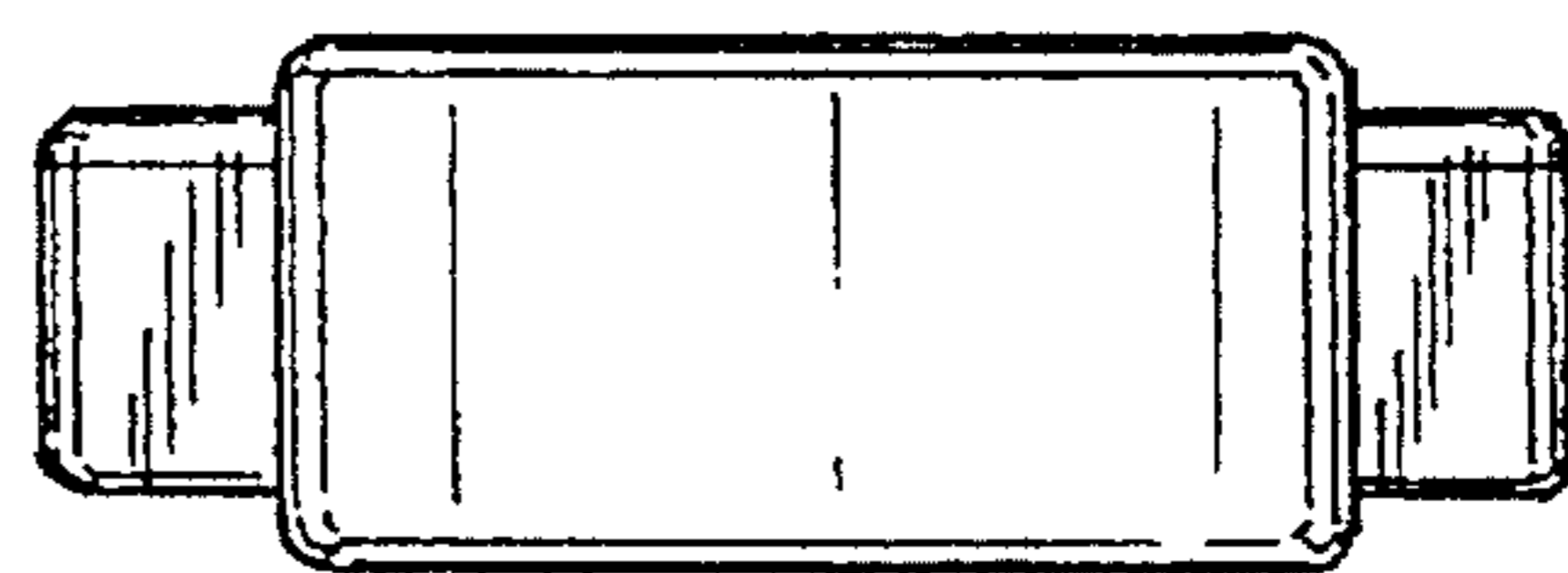


FIG. 7