



US00D362602S

United States Patent [19]

[11] **Patent Number:** **Des. 362,602**

Kusler

[45] **Date of Patent:** ****Sep. 26, 1995**

[54] **ELECTRICAL OUTLET PAINT MASK**

4,952,756 8/1990 Meyers .
5,003,128 3/1991 Grondin .
5,285,014 2/1994 Gilchrist 174/67

[76] Inventor: **Douglas A. Kusler**, P.O. Box 756,
Baker, Mont. 59313

Primary Examiner—Theodore M. Shooman
Assistant Examiner—Richelle Shelton

[**] Term: **14 Years**

[21] Appl. No.: **23,998**

[57] **CLAIM**

[22] Filed: **Jun. 6, 1994**

The ornamental design for the electrical outlet paint mask,
as shown and described.

[52] U.S. Cl. **D8/14**

[58] Field of Search D8/14, 19, 350;
D13/177; 16/DIG. 2; 118/504, 505; 174/67;
220/242; 439/135

DESCRIPTION

FIG. 1 is a front elevation view of an electrical outlet paint mask showing my new design;
FIG. 2 is a rear elevation view thereof;
FIG. 3 is a top plan view thereof;
FIG. 4 is a bottom plan view thereof;
FIG. 5 is a left side elevation view thereof;
FIG. 6 is a right side elevation view thereof; and,
FIG. 7 is a perspective view.

[56] **References Cited**

U.S. PATENT DOCUMENTS

2,477,803	8/1949	Huber	174/67 X
3,386,071	5/1968	Allen	439/135
3,714,616	1/1973	Sample .	
3,865,456	2/1975	Dola .	
4,656,058	4/1987	Stark .	

1 Claim, 3 Drawing Sheets

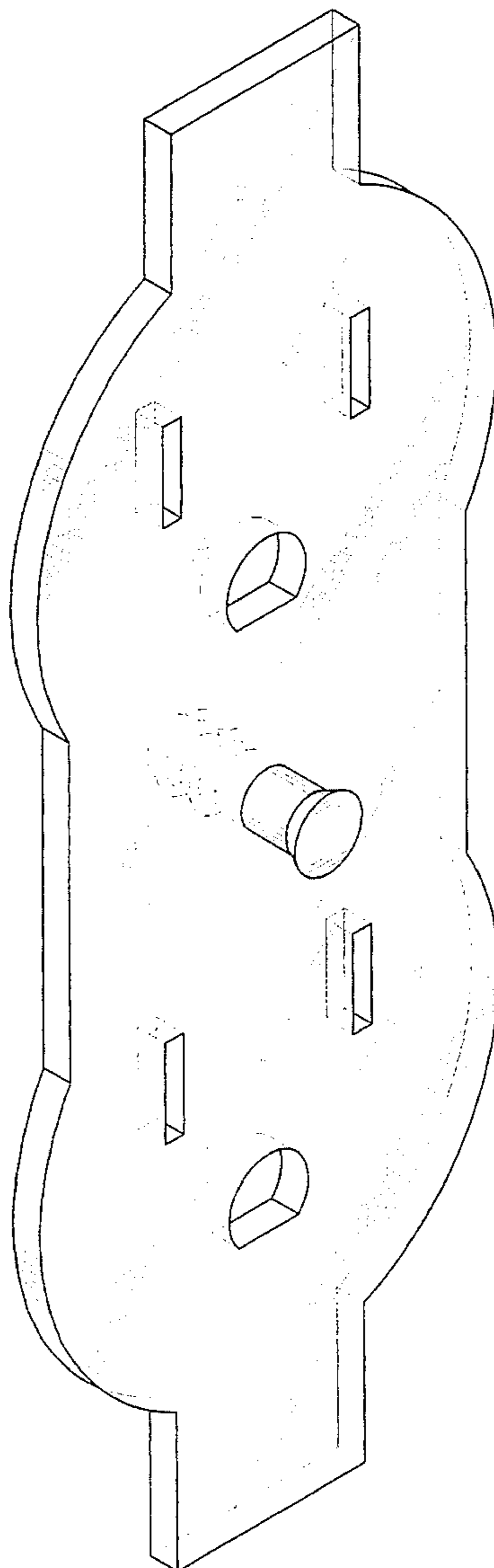


FIG. 1

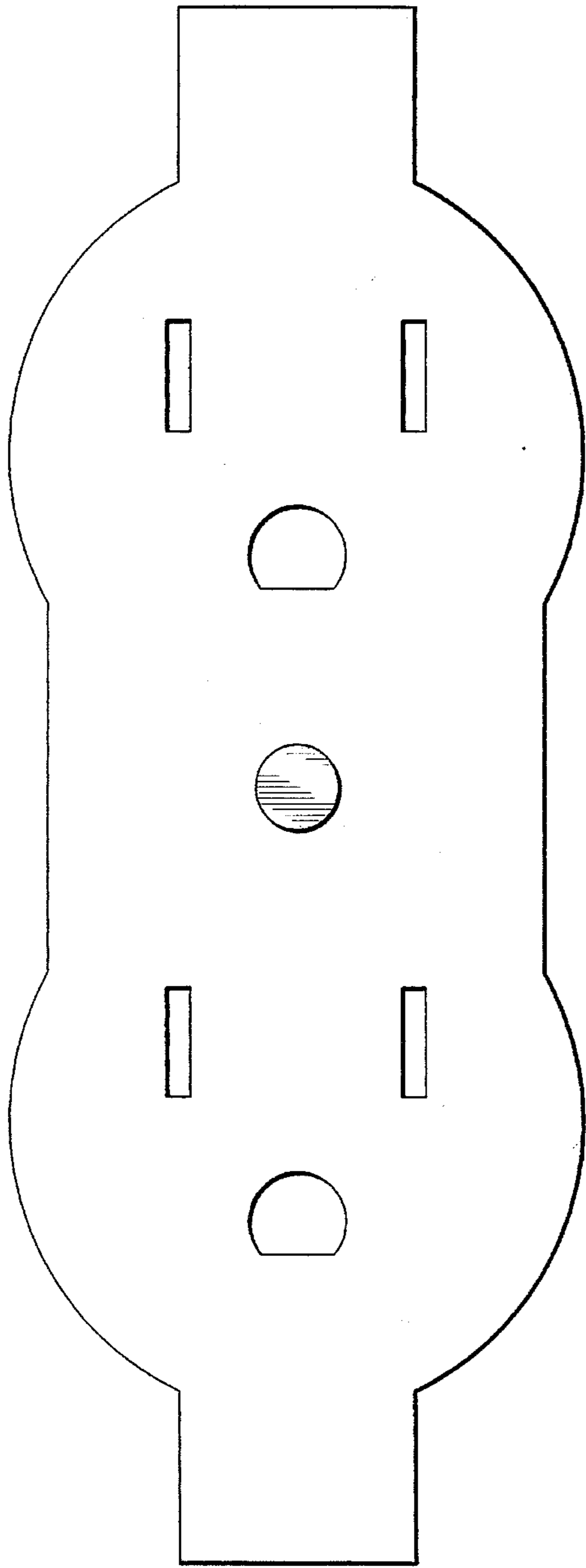


FIG. 2

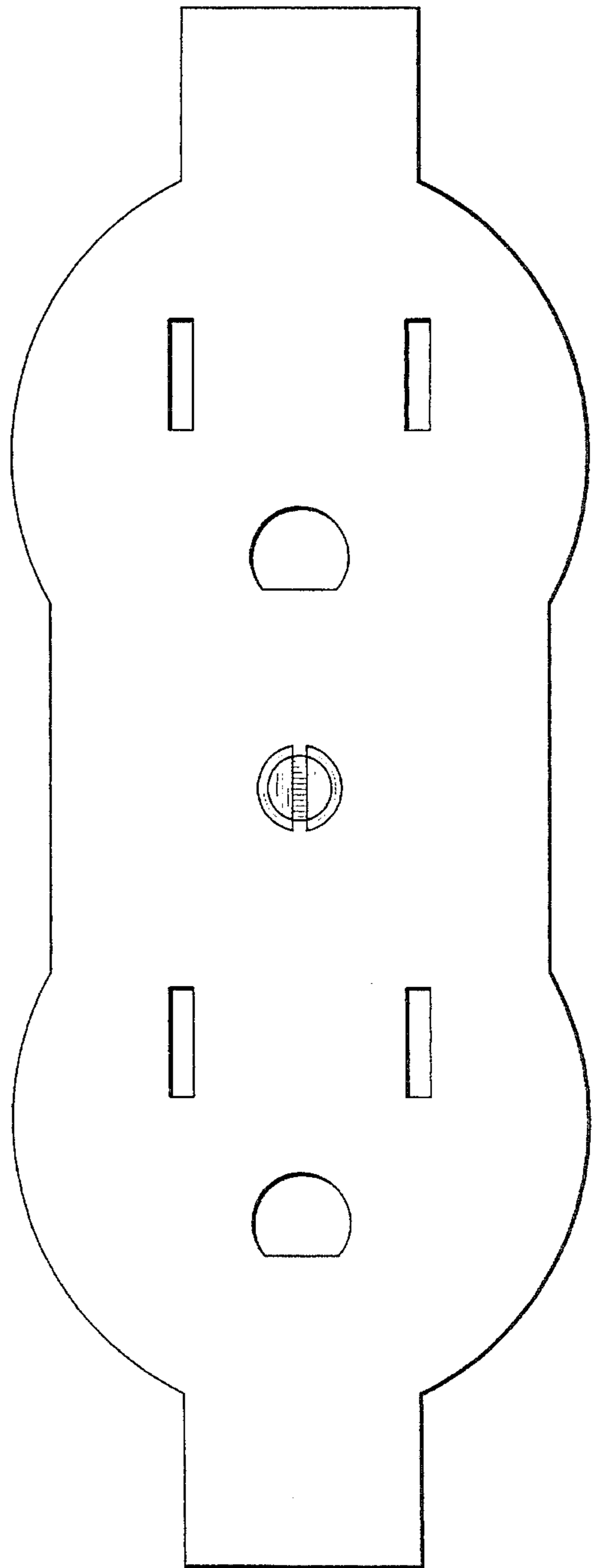


FIG. 3

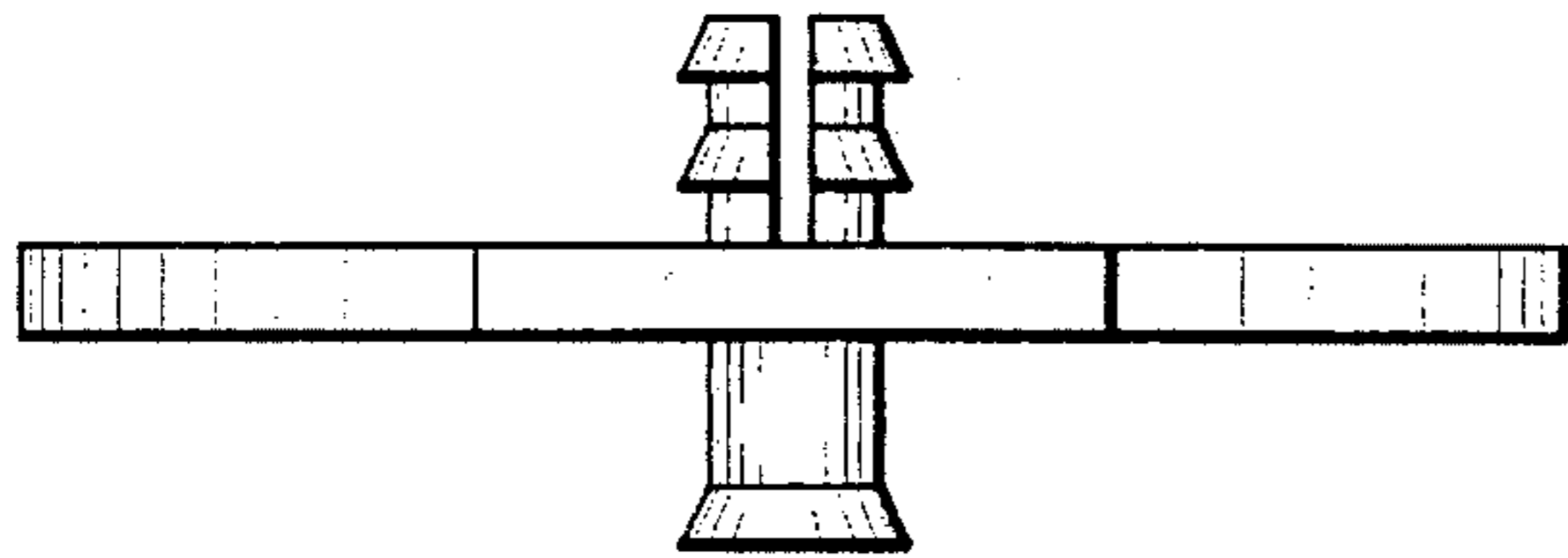


FIG. 5

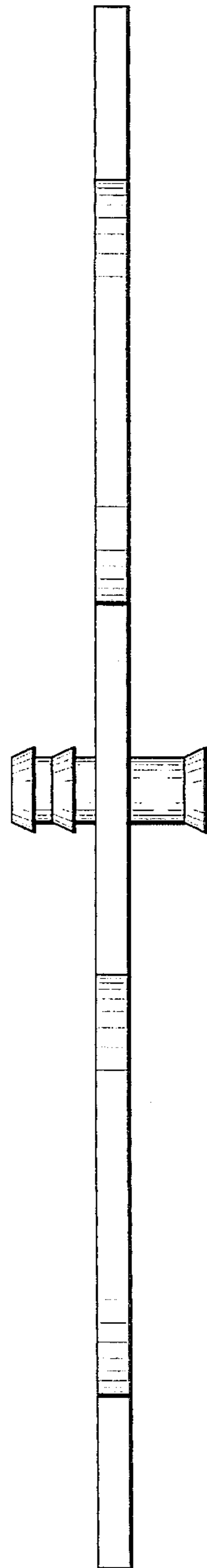


FIG. 6

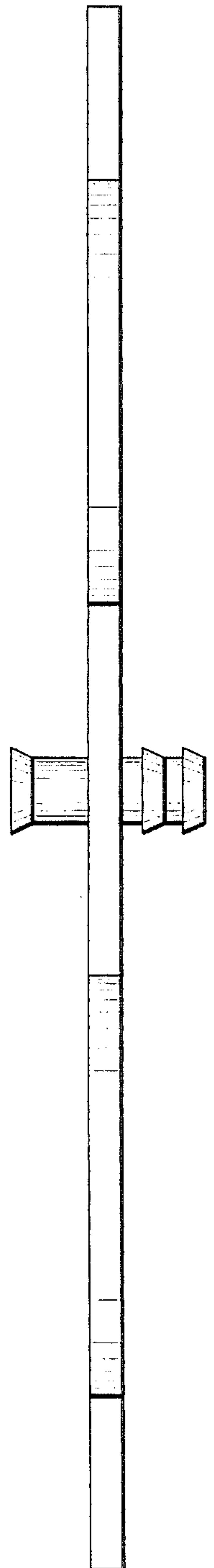


FIG. 4

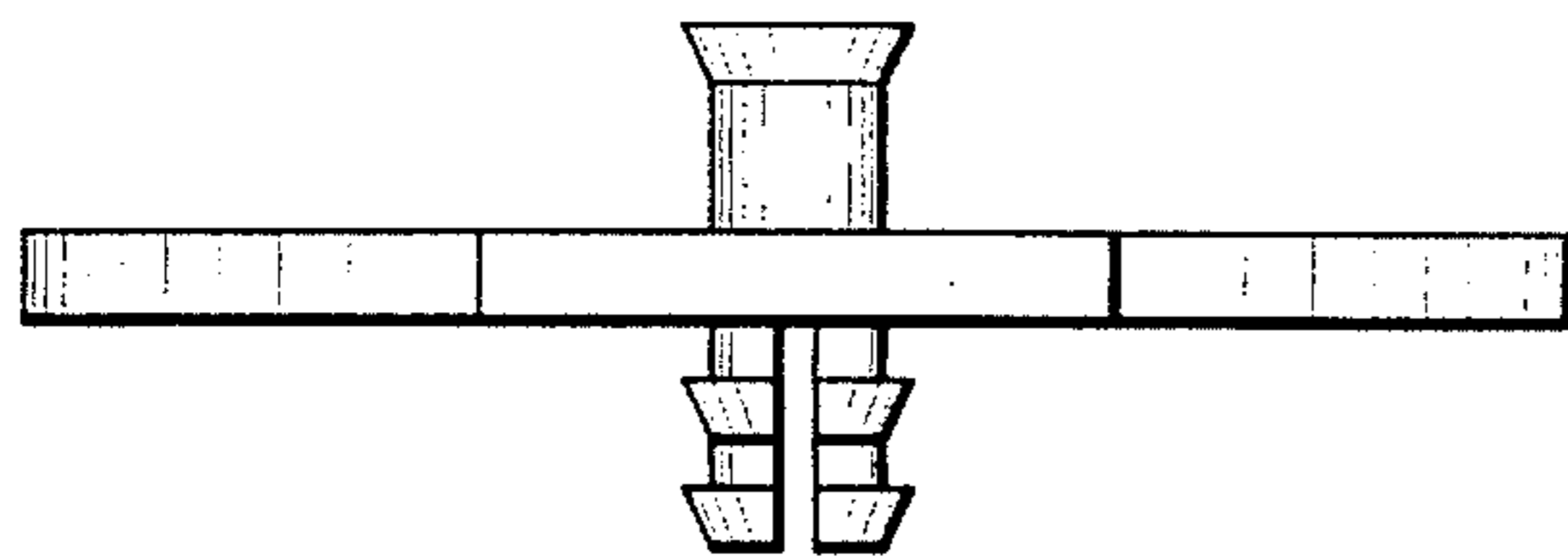


FIG. 7

