



US00D362600S

United States Patent [19]

[11] Patent Number: **Des. 362,600**

Kiyooka et al.

[45] Date of Patent: ****Sep. 26, 1995**

[54] **BUSH CUTTER HEAD**

[75] Inventors: **Katsumi Kiyooka**, Tougane; **Kaori Katoh**, Chiba, both of Japan

[73] Assignee: **Maruyama Mfg. Co., Ltd.**, Tokyo, Japan

[**] Term: **14 Years**

[21] Appl. No.: **17,765**

[22] Filed: **Jan. 19, 1994**

[30] **Foreign Application Priority Data**

Jul. 20, 1993 [JP] Japan 5-22020

[52] U.S. Cl. **D8/8**

[58] Field of Search D8/8, 360; D12/204; 30/276; 56/12.7, 320.1, 169

[56] **References Cited**

U.S. PATENT DOCUMENTS

D. 239,863	5/1976	Kitson	D8/360 X
D. 254,173	2/1980	Proulx	D8/8
D. 302,779	8/1989	Baba	D8/8
2,805,582	9/1957	Greene	D8/360 X
4,942,664	7/1990	Zatulovsky	30/276

FOREIGN PATENT DOCUMENTS

29626 3/1990 Japan .

Primary Examiner—A. Hugo Word
Assistant Examiner—Holly H. Baynham
Attorney, Agent, or Firm—Cushman, Darby & Cushman

[57] **CLAIM**

The ornamental design for a bush cutter head, as shown and described.

DESCRIPTION

FIG. 1 is a top perspective view of a bush cutter head showing our new design;

FIG. 2 is a bottom perspective view thereof;

FIG. 3 is a top plan view thereof;

FIG. 4 is a bottom plan view thereof;

FIG. 5 is a side elevational view thereof;

FIG. 6 is a right side elevational view thereof;

FIG. 7 is a view in section taken along line 7—7 of FIG. 3;

FIG. 8 is a view in section taken along line 8—8 of FIG. 3;

FIG. 9 is a view in section taken along line 9—9 of FIG. 5;

FIG. 10 is a reduced top plan view showing the article in use; and,

FIG. 11 is a reduced bottom plan view showing the article in use.

The broken line showing of cutting cords is for illustrative purposes only and forms no part of the claimed design.

1 Claim, 5 Drawing Sheets

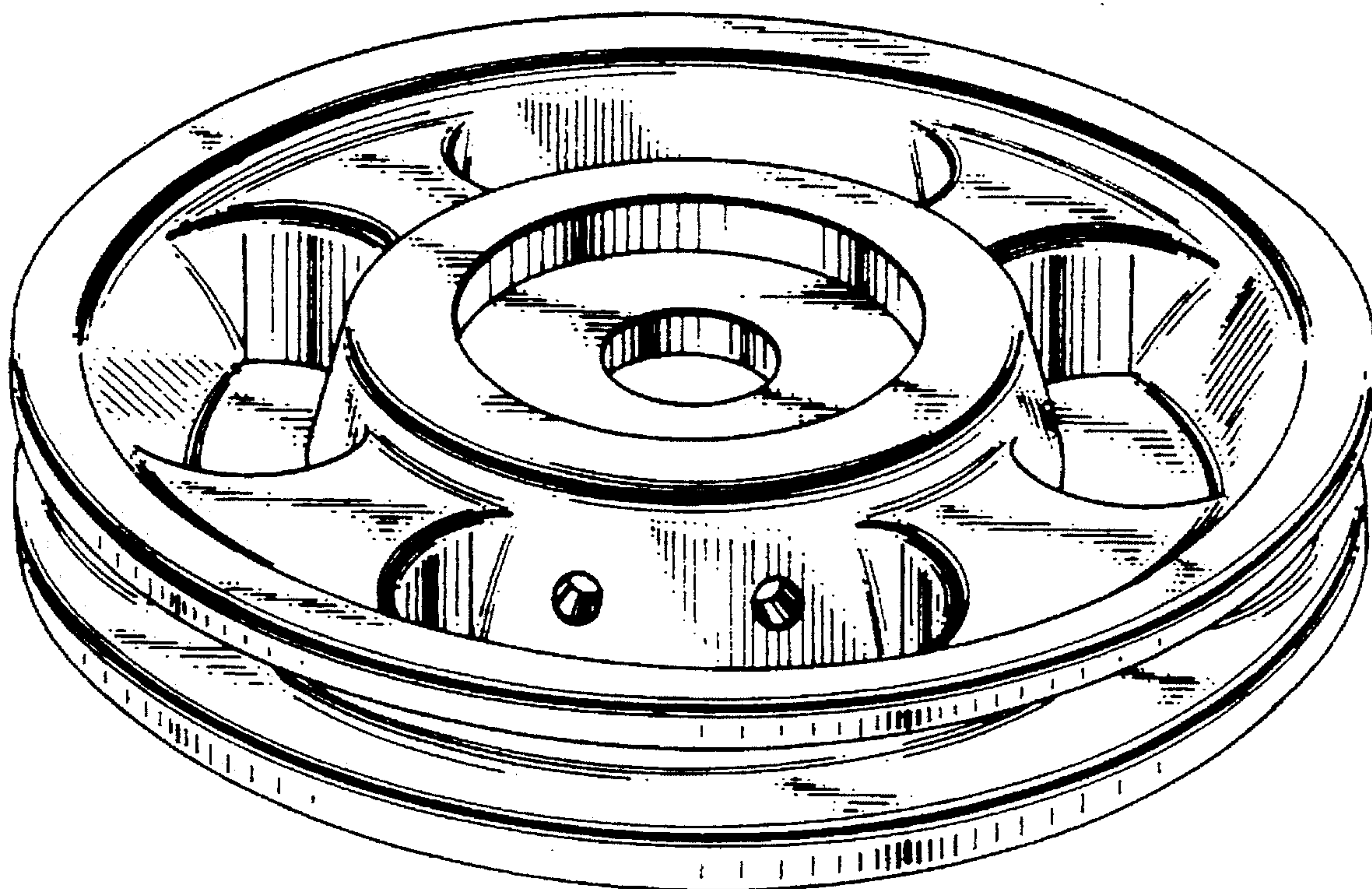


FIG. 1

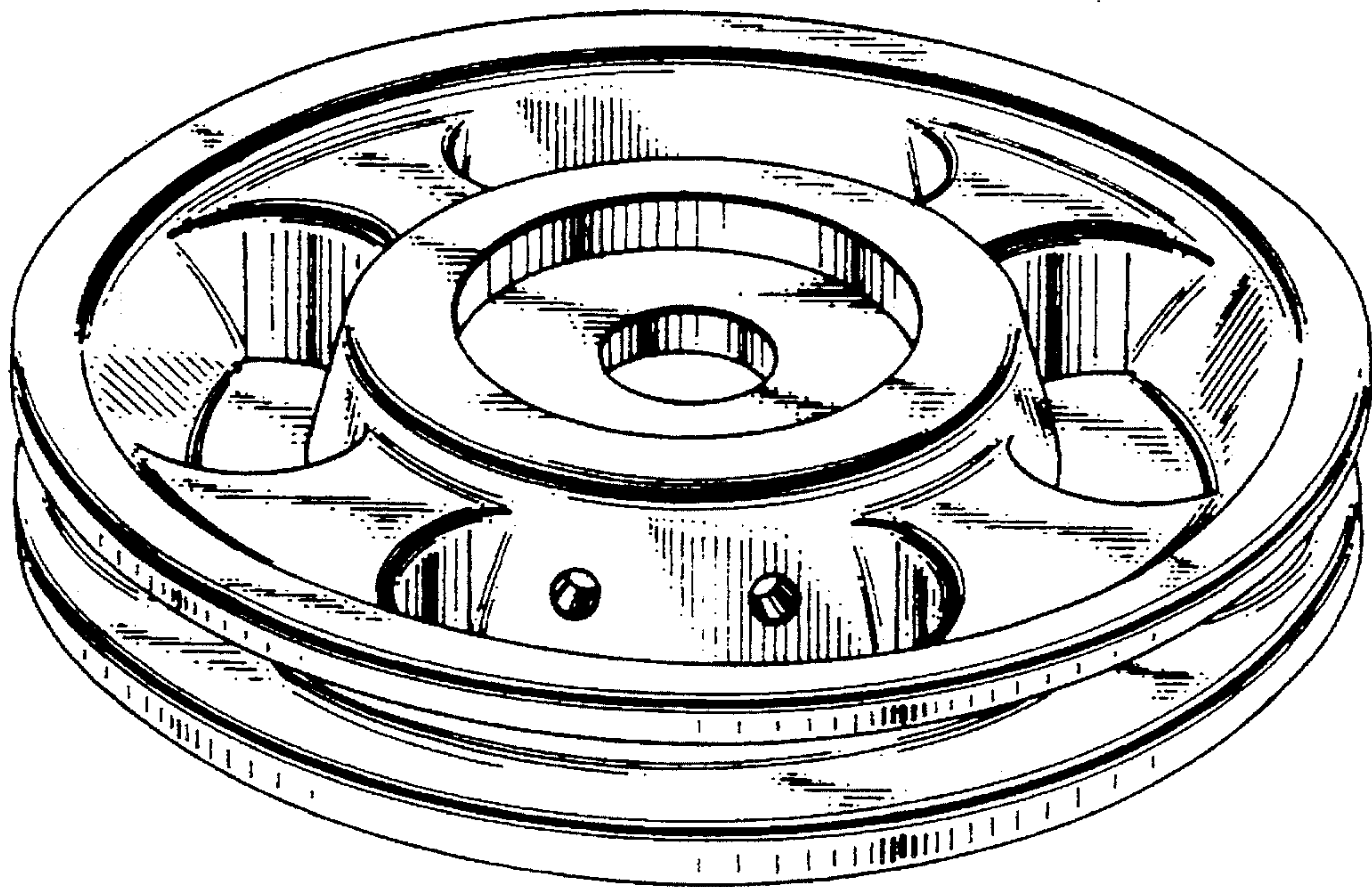


FIG. 2

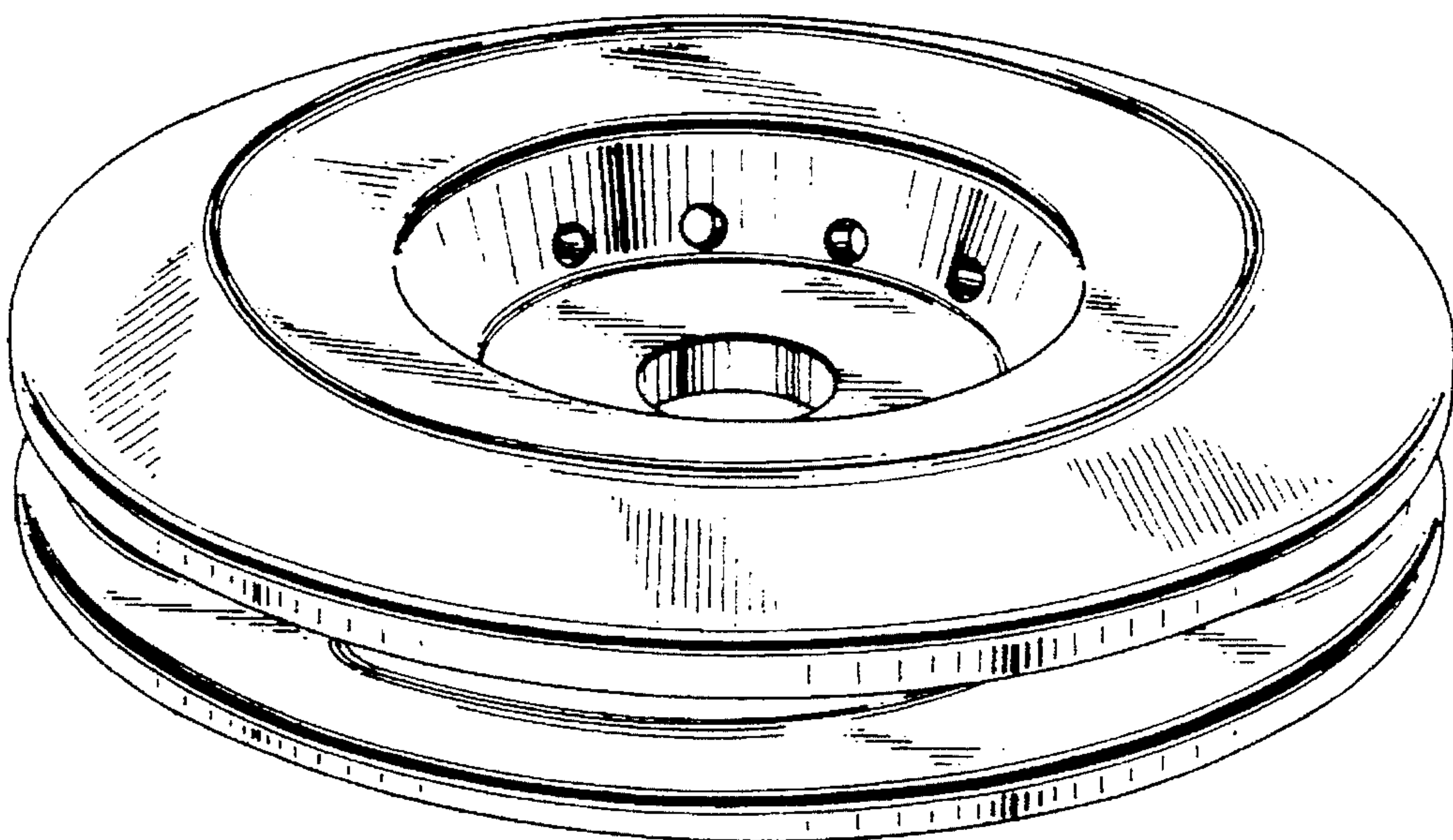


FIG. 3

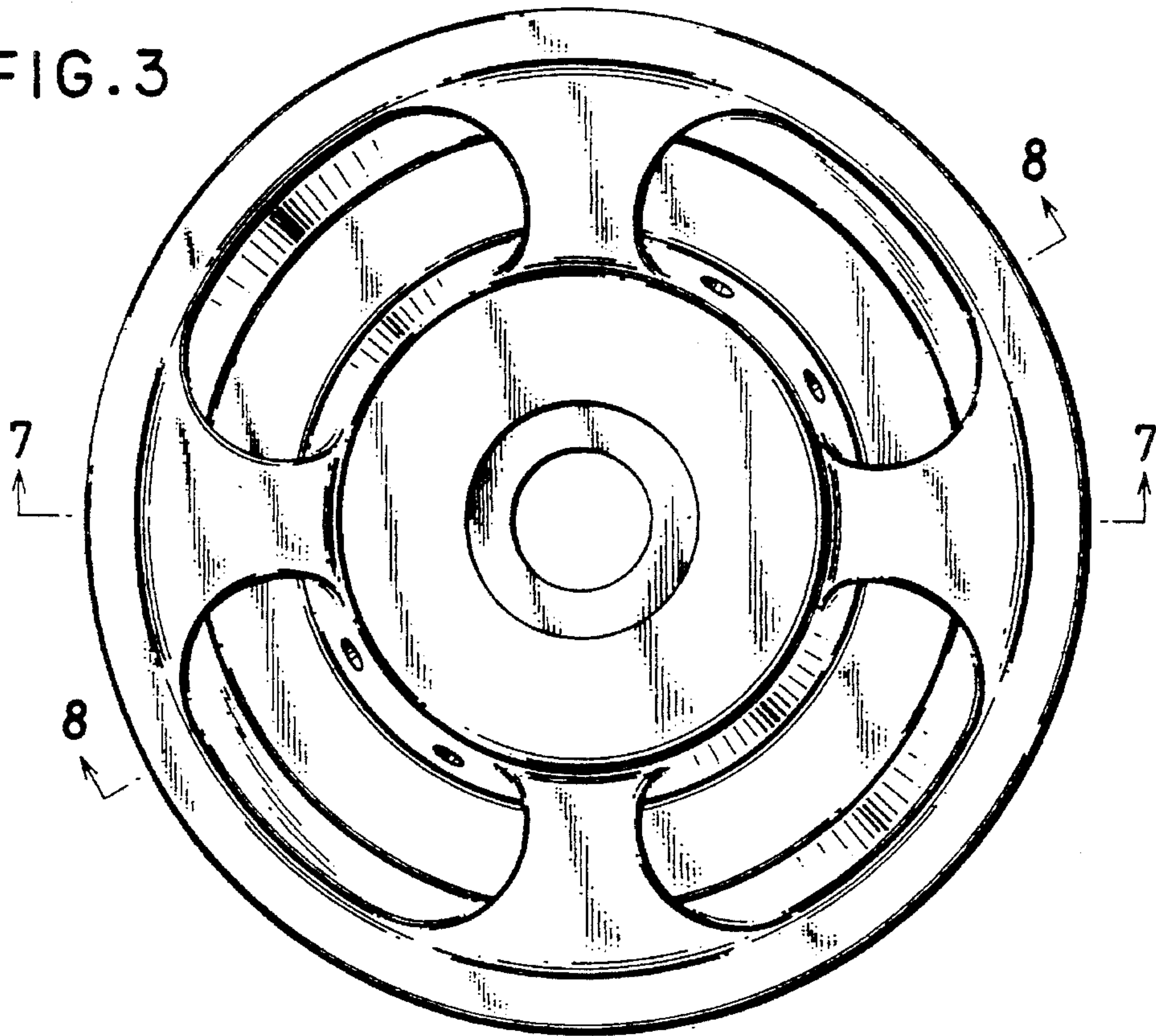


FIG. 4

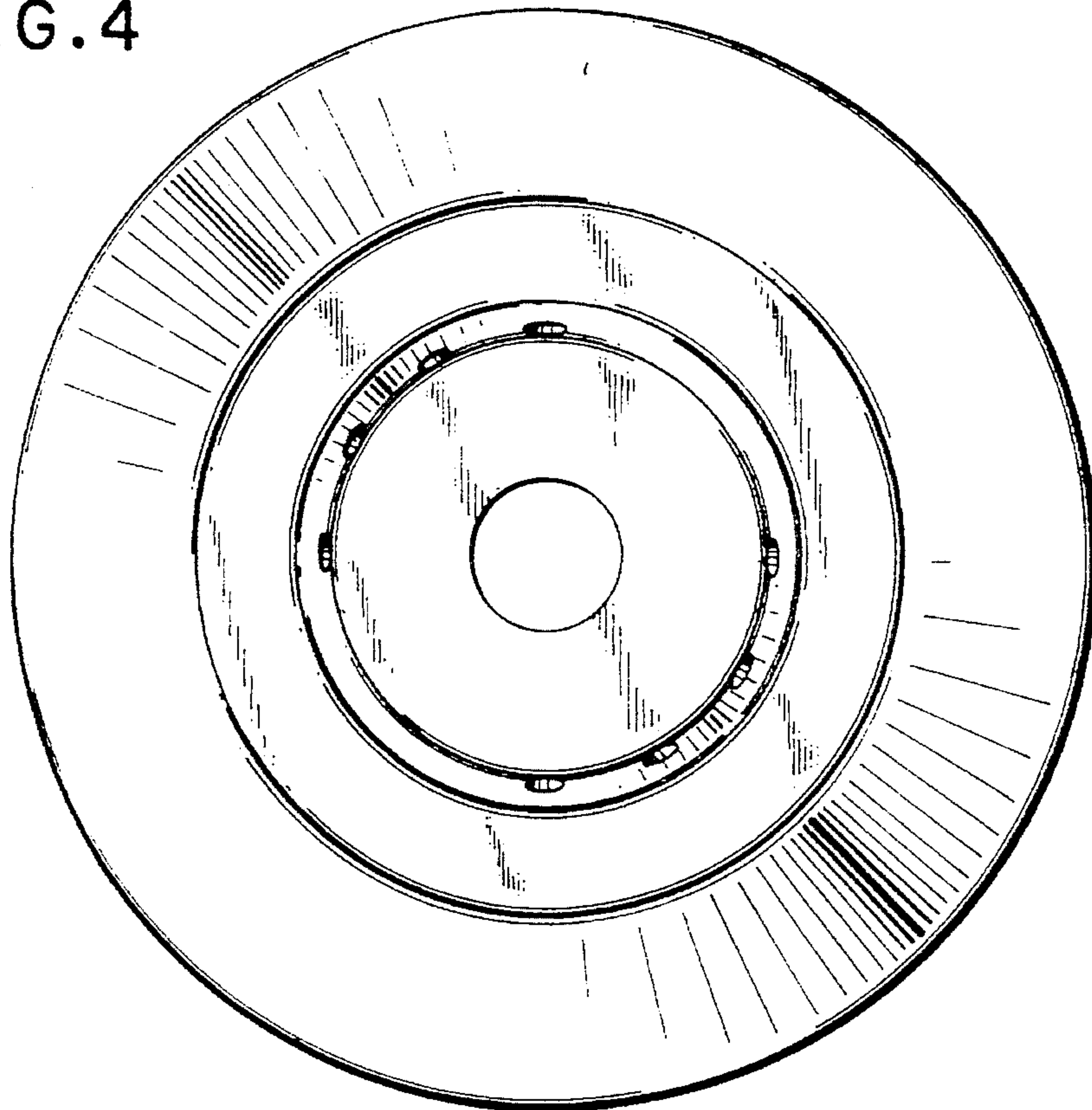


FIG. 5

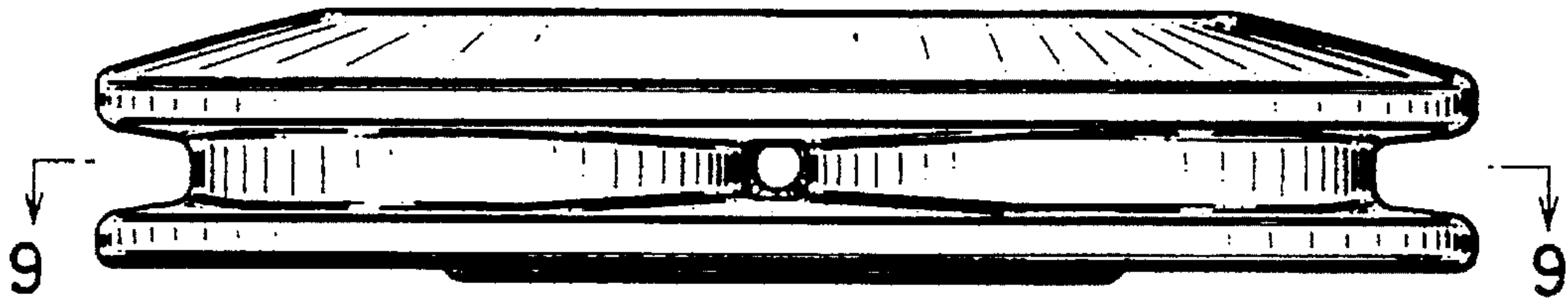


FIG. 6

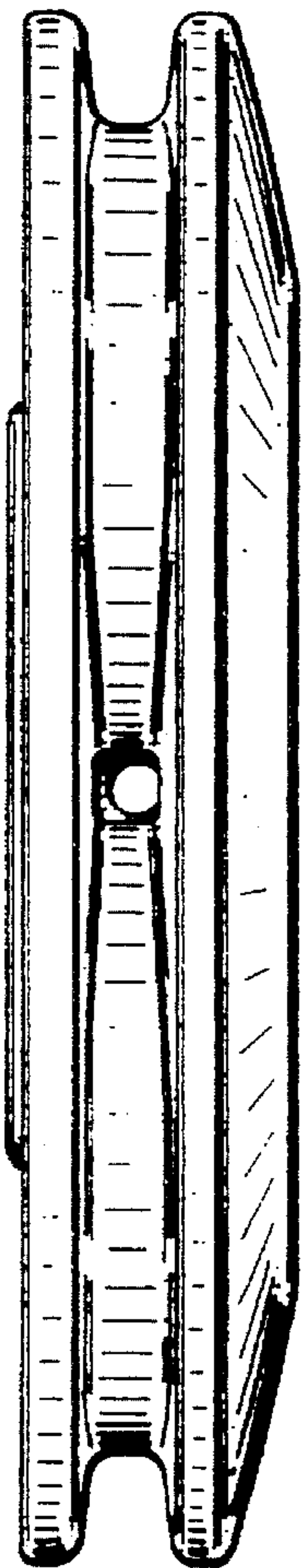


FIG. 7

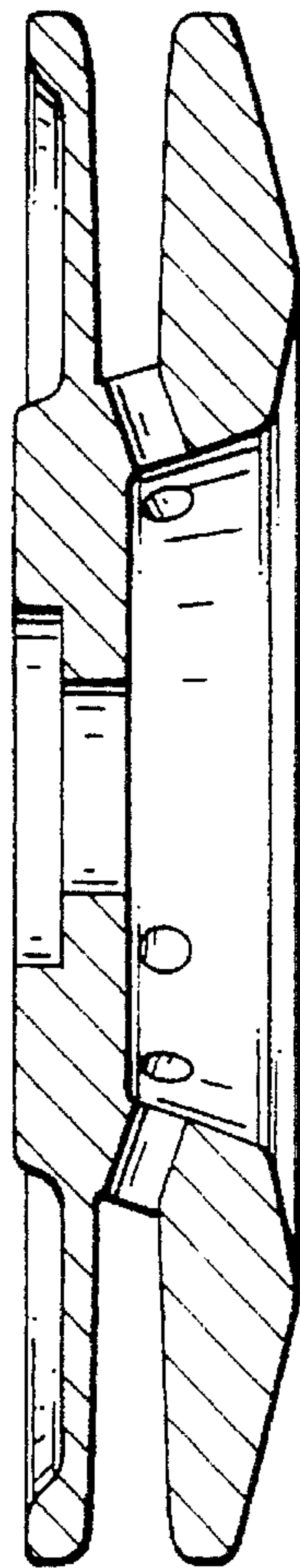


FIG. 8

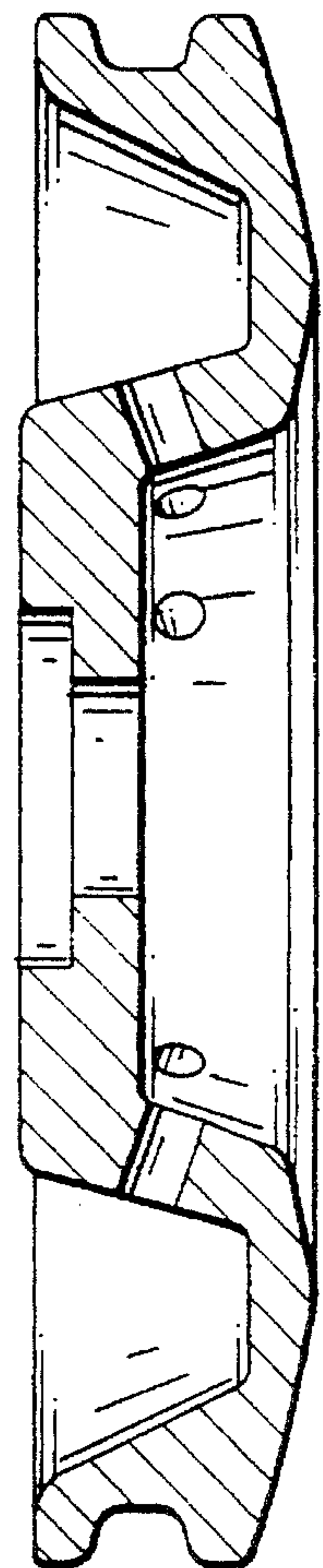


FIG. 9

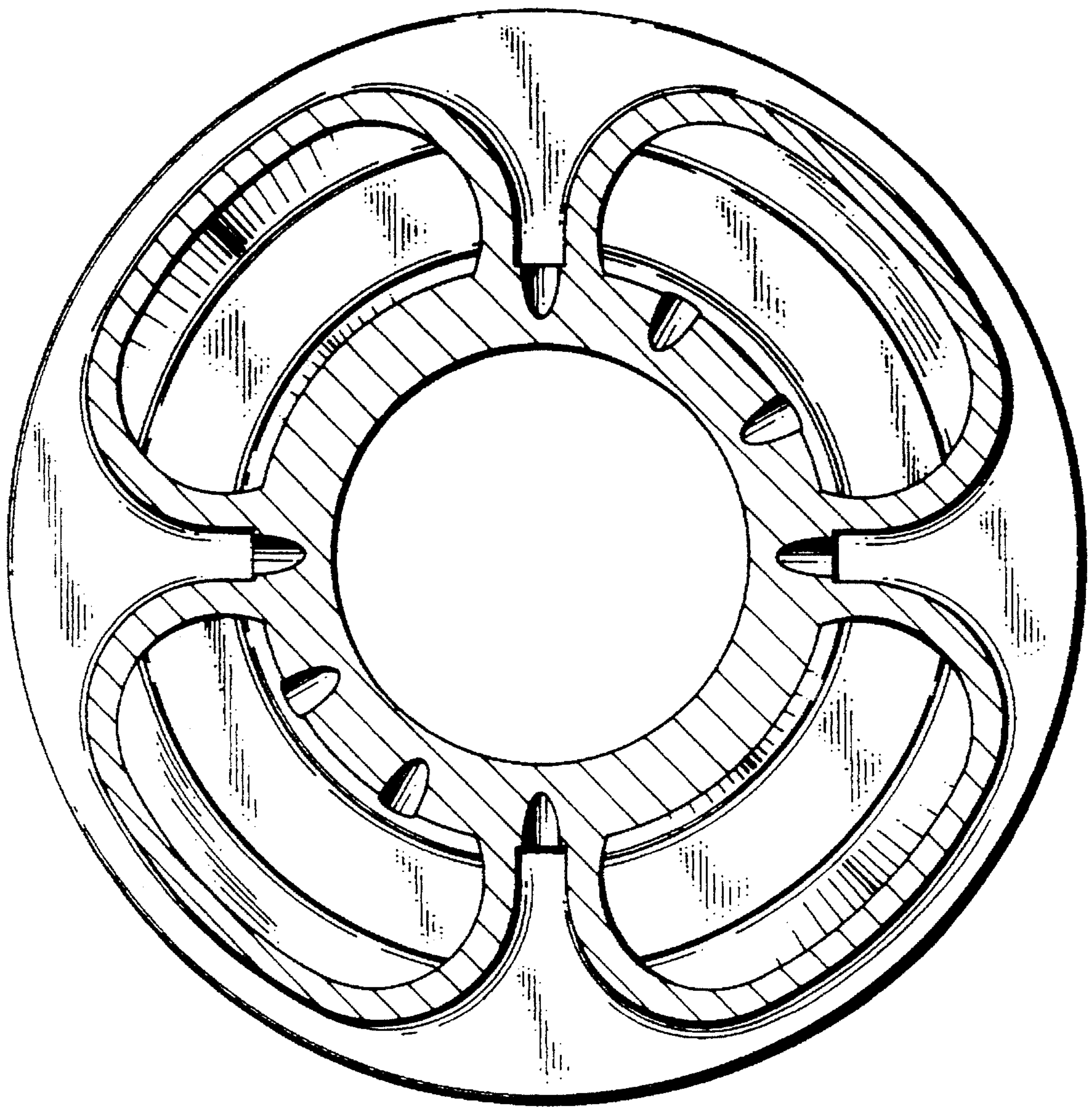


FIG. 10

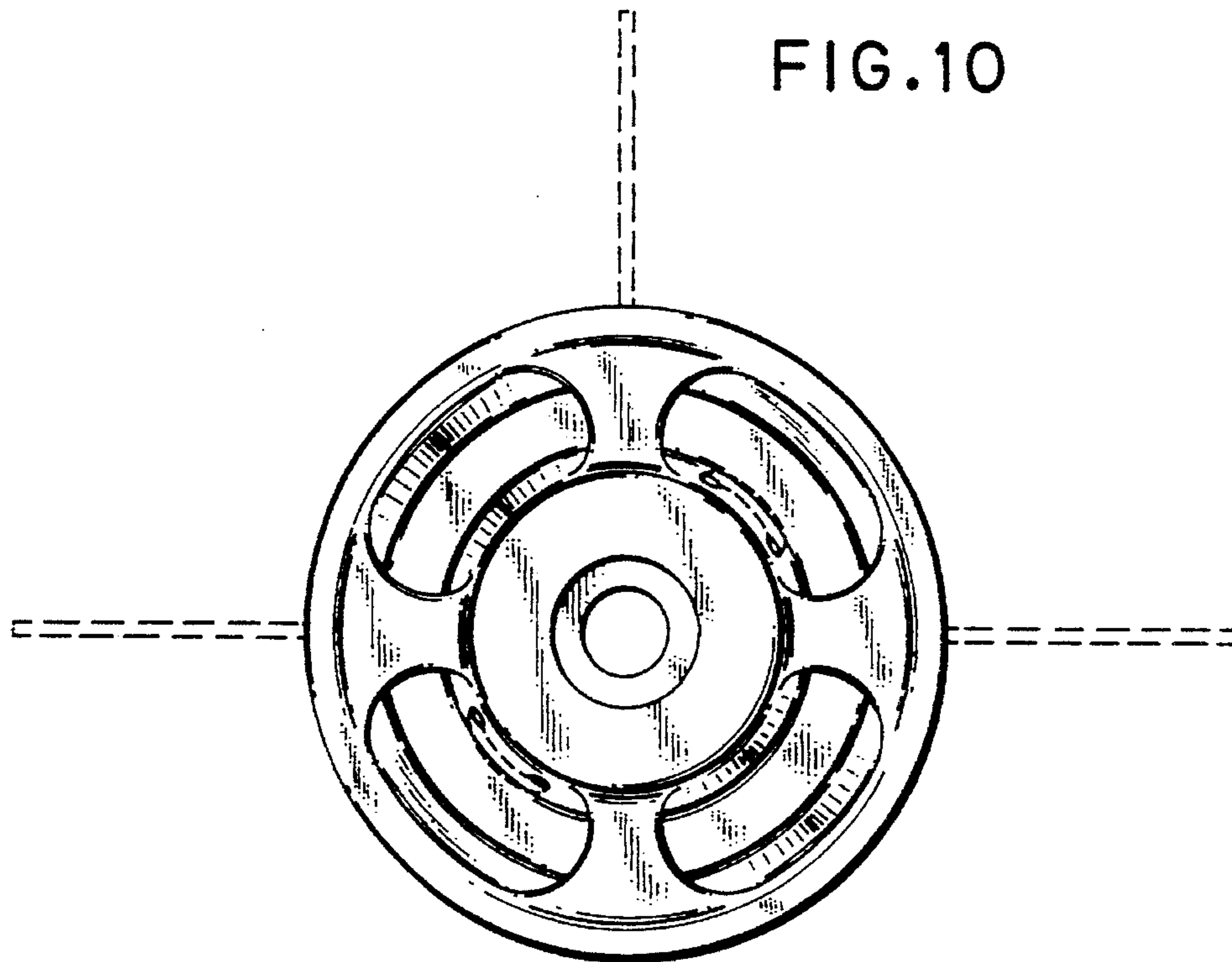


FIG. 11

