



US00D362597S

United States Patent [19]

[11] **Patent Number:** **Des. 362,597**

Kim

[45] **Date of Patent:** ****Sep. 26, 1995**

[54] **JUICE EXTRACTOR**

D. 236,283 8/1975 McCue D7/372
2,767,644 10/1956 Bireley D7/665 X

[76] **Inventor:** **Jong Gill Kim**, Banpo town villa 201
104-9 Banpo-3 dong, Sucho-ku, Seoul,
Rep. of Korea, 137-073

Primary Examiner—Terry A. Wallace
Attorney, Agent, or Firm—Pennie & Edmonds

[**] **Term:** **14 Years**

[57] **CLAIM**

[21] **Appl. No.:** **22,562**

The ornamental design for a juice extractor, as shown and described.

[22] **Filed:** **May 6, 1994**

DESCRIPTION

[30] **Foreign Application Priority Data**

FIG. 1 is a perspective view of a juice extractor showing my new design;

Nov. 27, 1993 [KR] Rep. of Korea 24346

FIG. 2 is a top plan view thereof;

[52] **U.S. Cl.** **D7/665**

FIG. 3 is a bottom plan view thereof;

[58] **Field of Search** D7/665, 666, 369,
D7/372, 384, 386, 679; 99/501-506

FIG. 4 is a right side elevation view thereof;

FIG. 5 is a left side elevation view thereof;

FIG. 6 is a rear elevation view thereof; and,

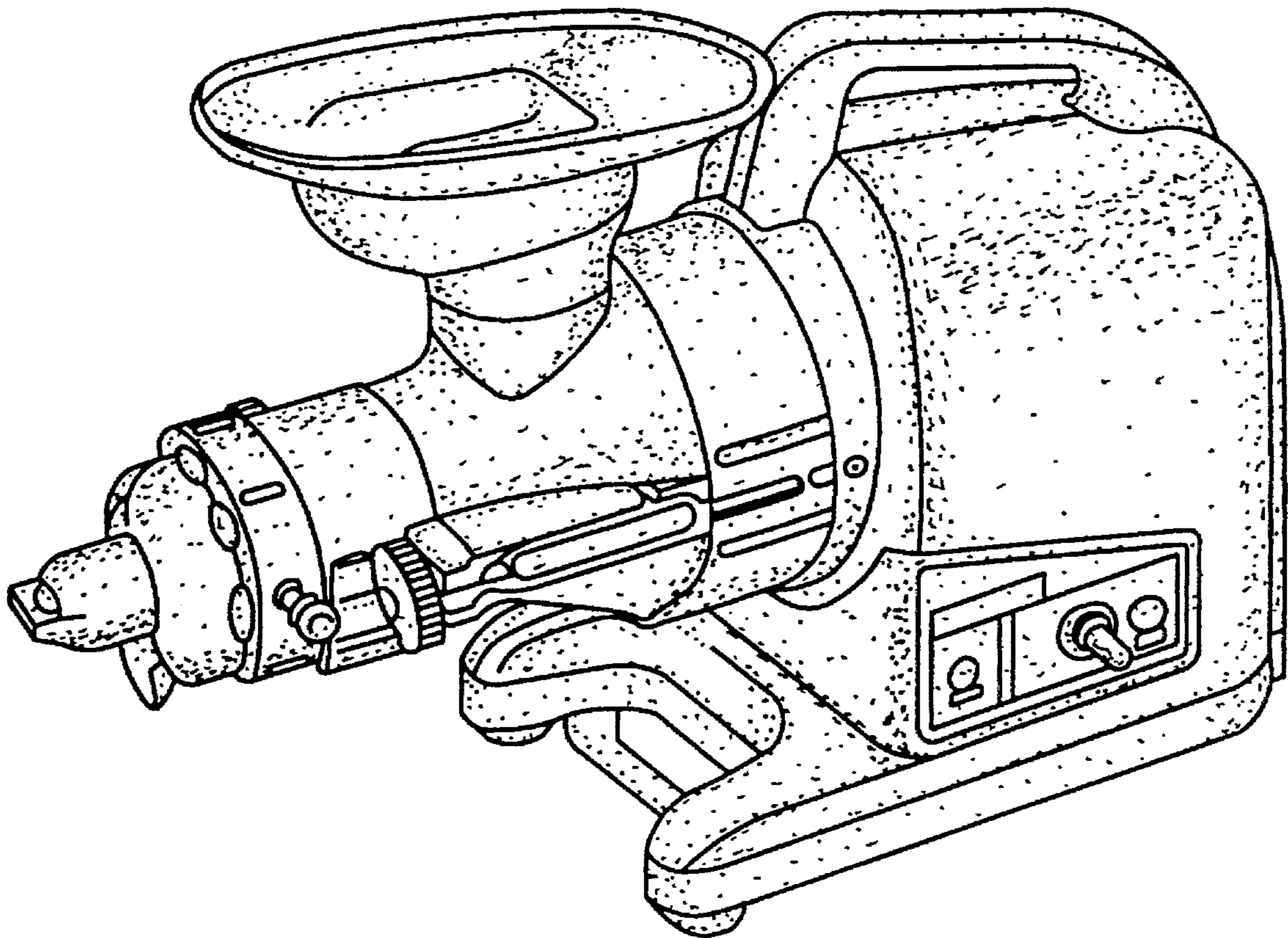
FIG. 7 is a front elevation view thereof.

[56] **References Cited**

U.S. PATENT DOCUMENTS

D. 118,270 12/1939 Strauss D7/372

1 Claim, 4 Drawing Sheets



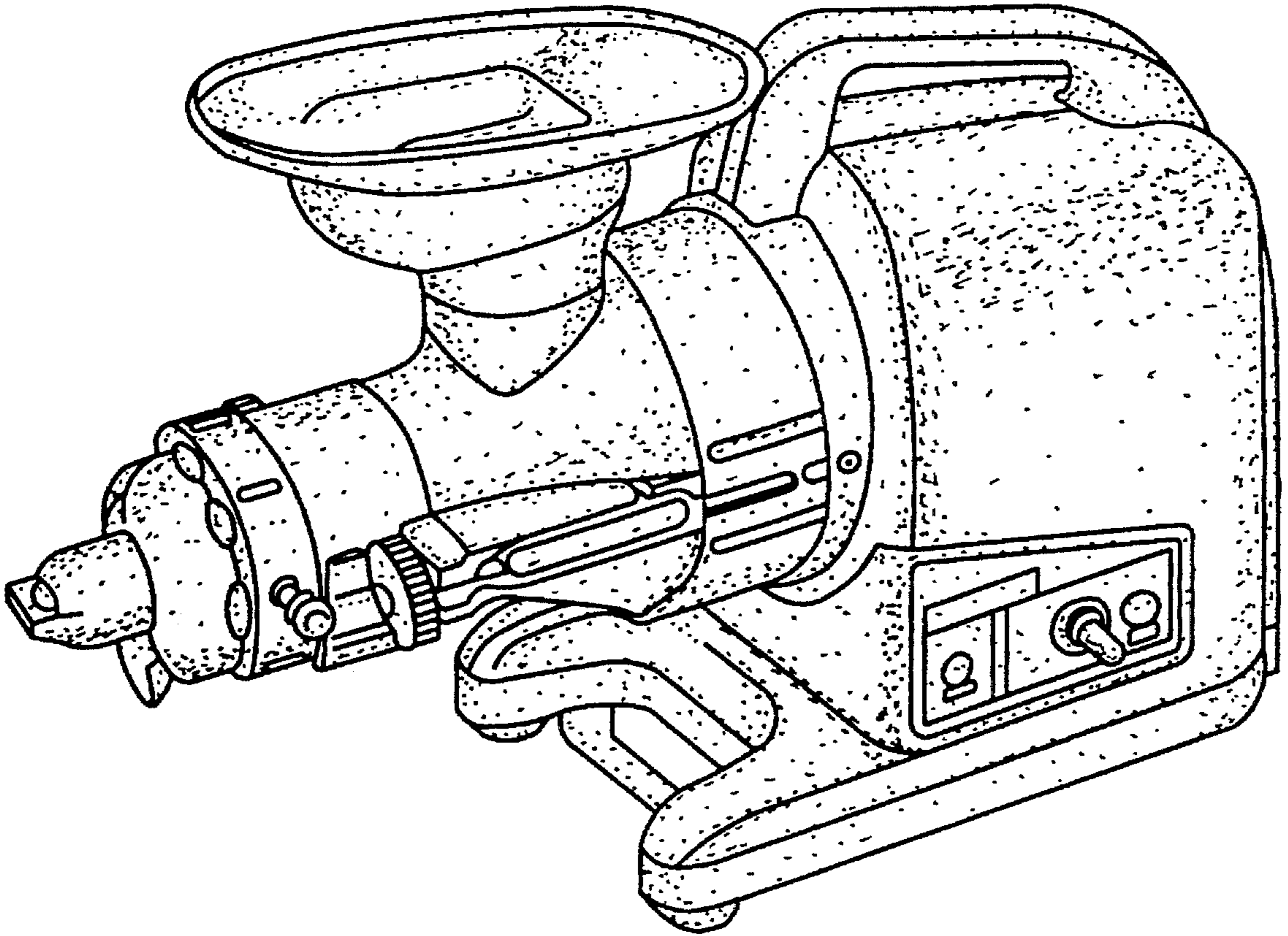


FIG. 1

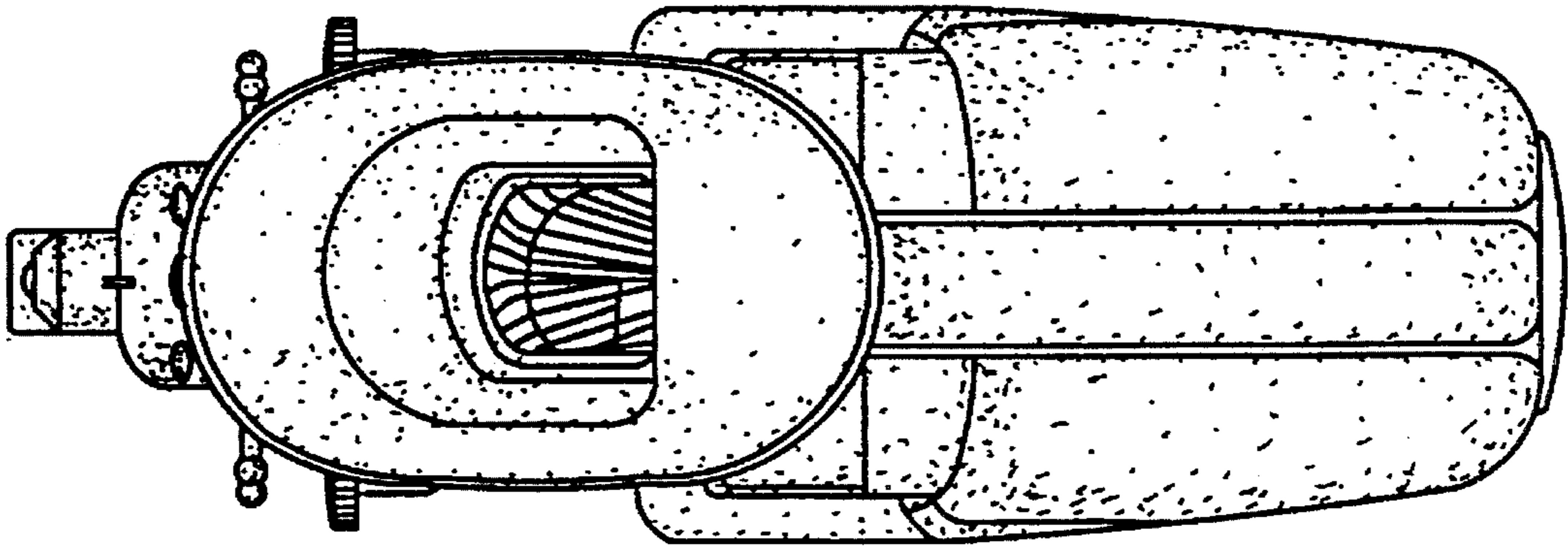


FIG. 2

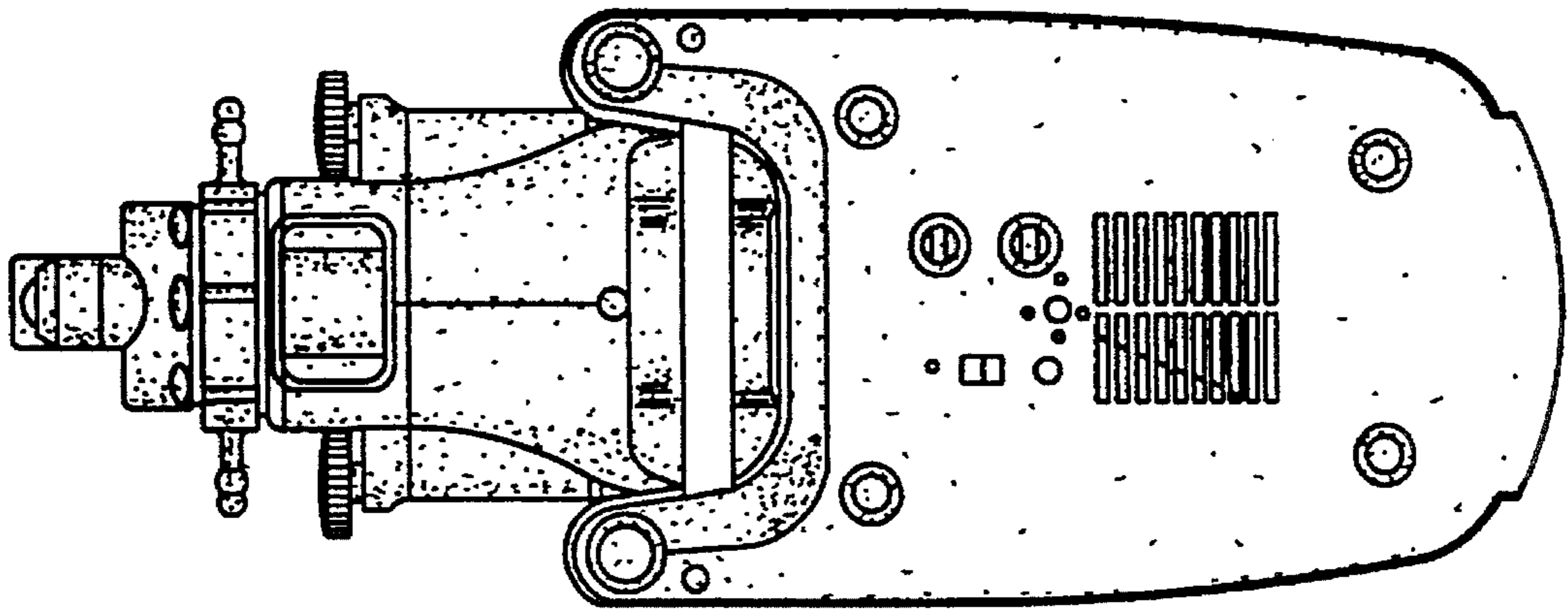


FIG. 3

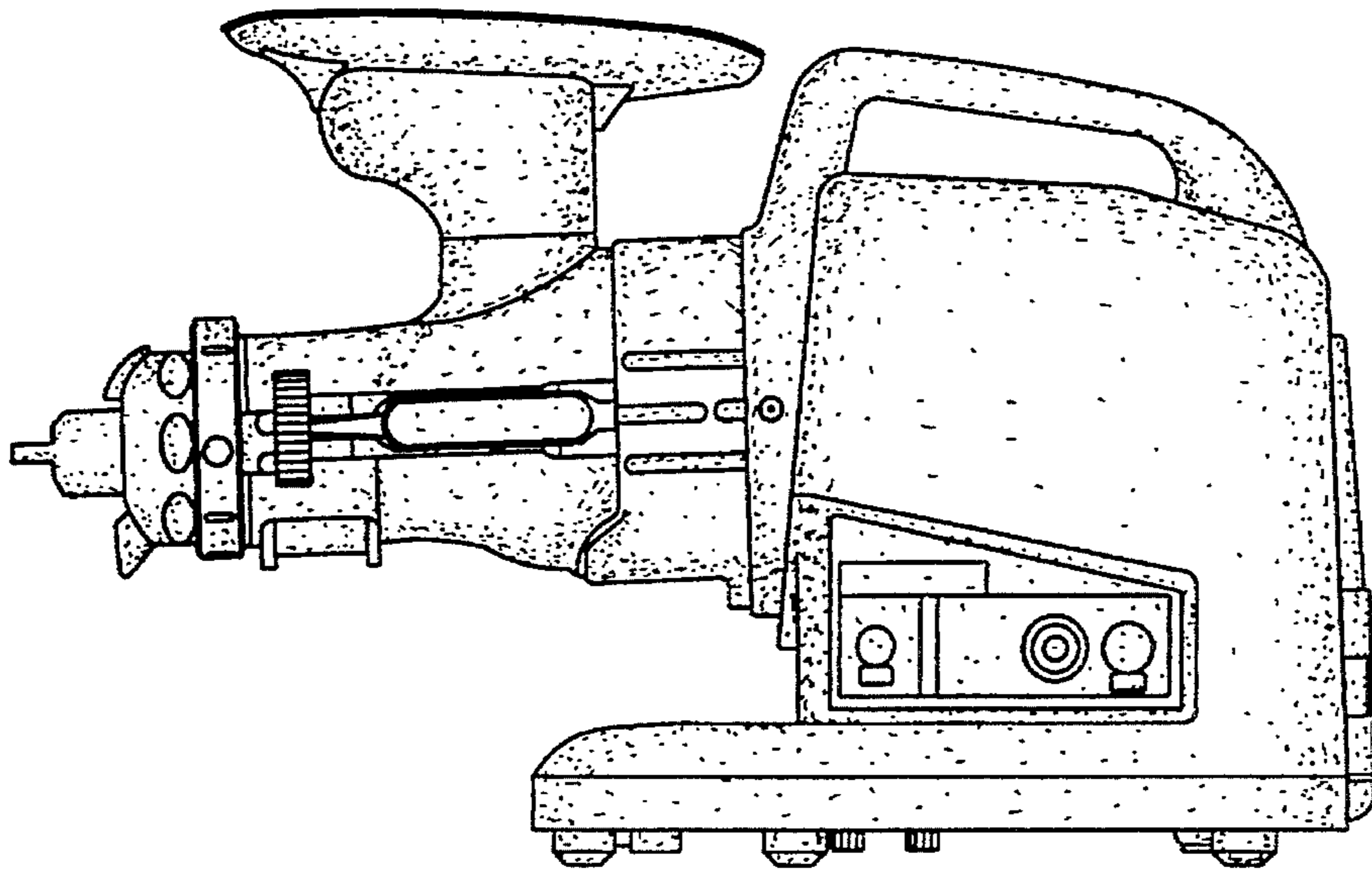


FIG. 4

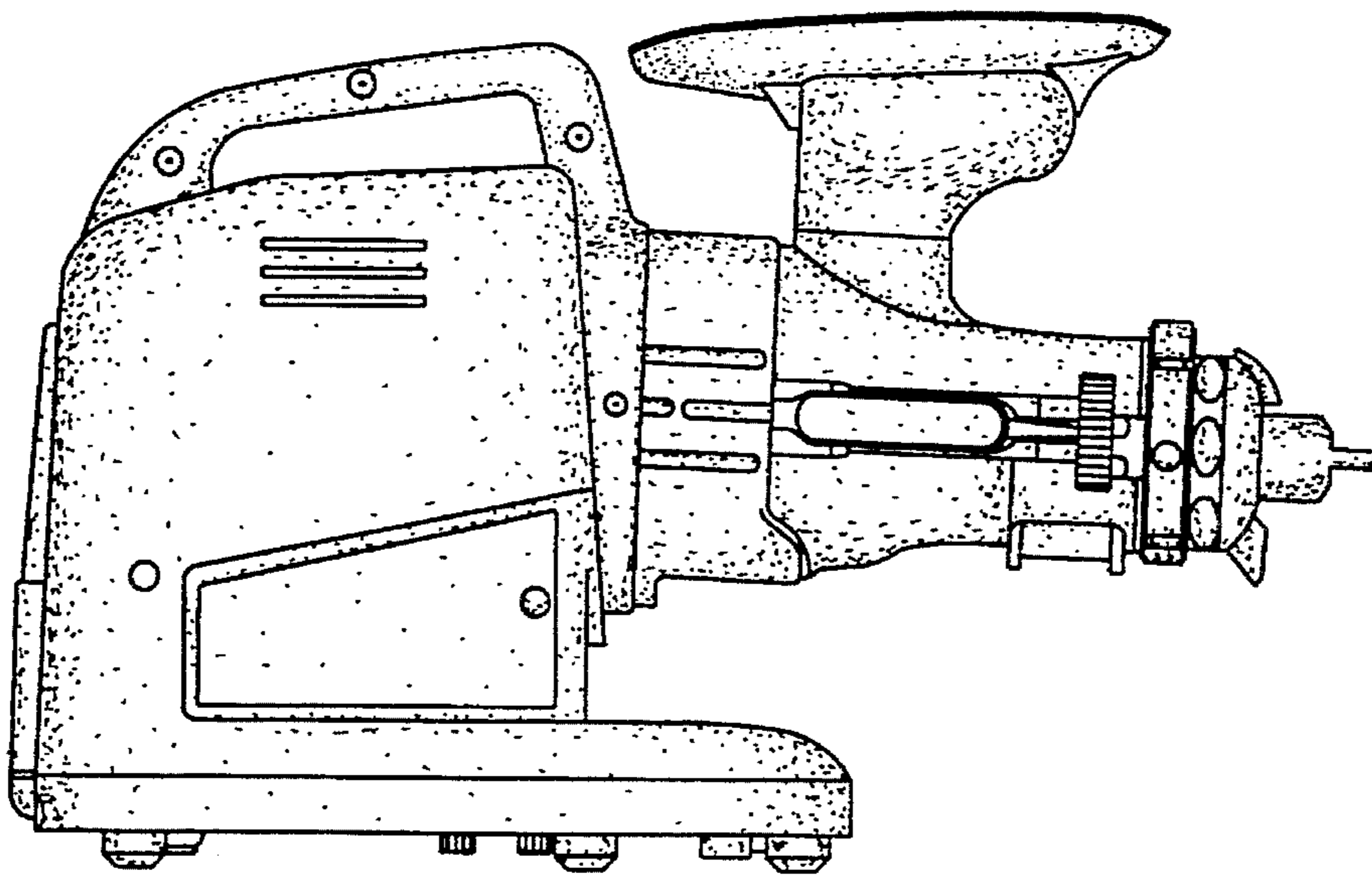


FIG. 5

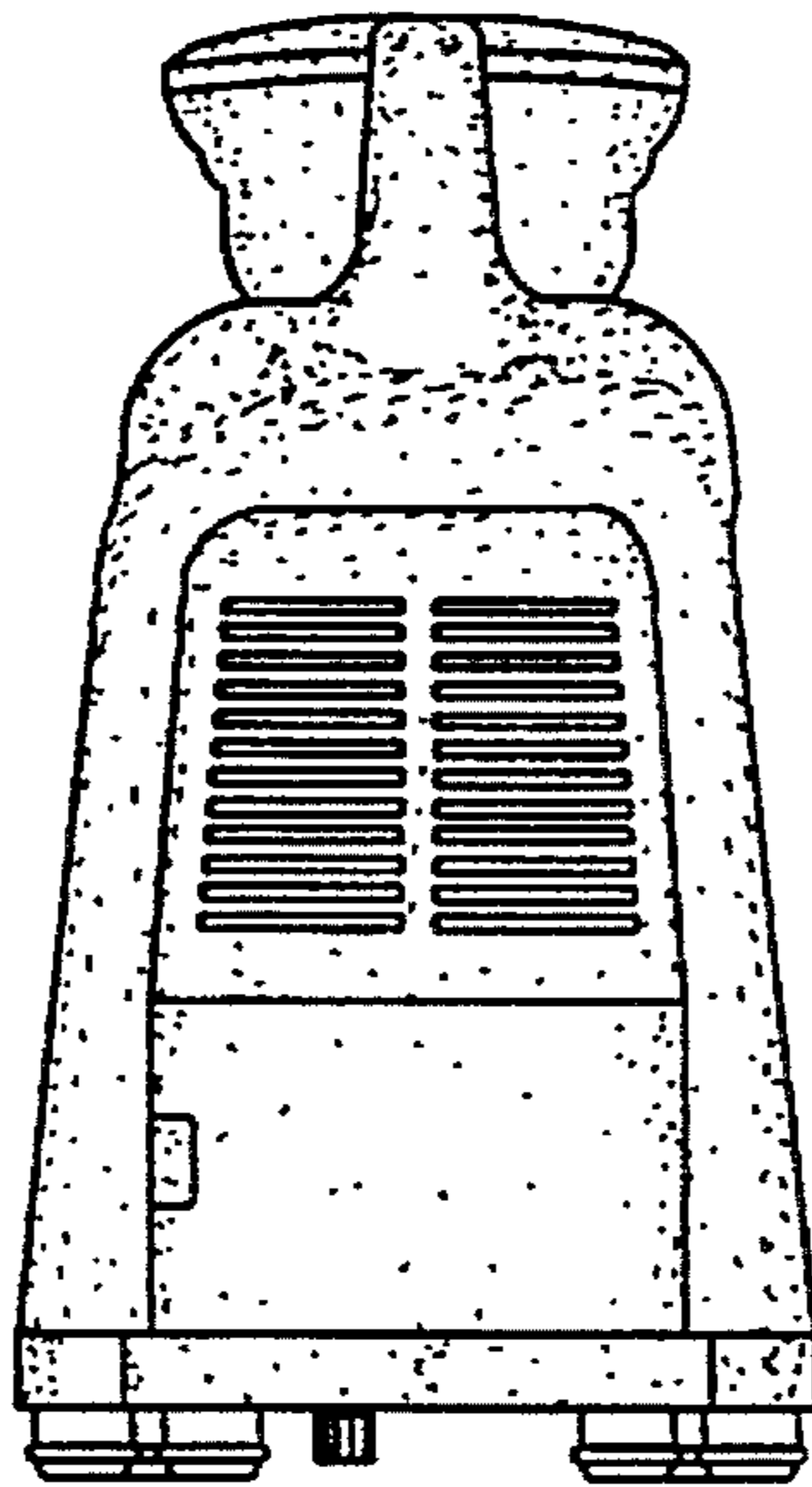


FIG. 6

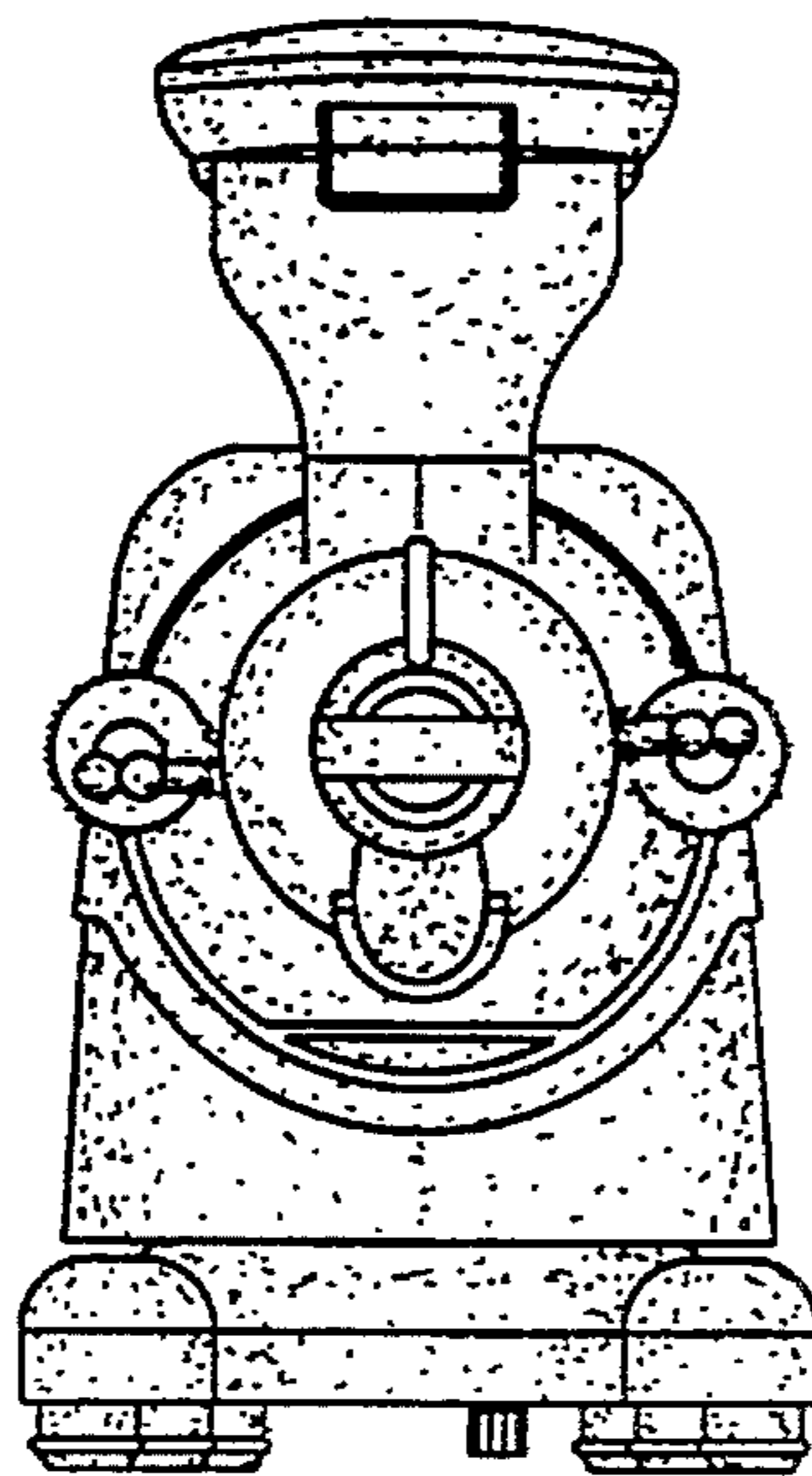


FIG. 7