



US00D362595S

United States Patent [19]

[11] Patent Number: **Des. 362,595**

Schneider

[45] Date of Patent: ****Sep. 26, 1995**

[54] DUAL-OUTLET CONDIMENT DISPENSING CONTAINER

[75] Inventor: **James Schneider**, Ocala, Fla.

[73] Assignee: **Pioneer Products, Inc.**, Ocala, Fla.

[**] Term: **14 Years**

[21] Appl. No.: **29,466**

[22] Filed: **Oct. 6, 1994**

[52] U.S. Cl. **D7/596**; D9/440; D9/446

[58] Field of Search D7/591-597; D9/300, D9/338, 434-436, 440, 444-447, 449, 454, 503-504, 524, 515; 215/228, 236, 265, 306, 308; 220/212, 329, 334, 360, 142.1-142.9; 222/480, 482, 520, 556, 565, 575

[56] References Cited

U.S. PATENT DOCUMENTS

D. 276,981	1/1985	Cleevly	D9/449
D. 286,367	10/1986	Murphy	D9/449
D. 291,411	8/1987	Crawford	D9/440
D. 339,065	9/1993	Forsyth et al.	D9/447
D. 350,875	9/1994	Van Valkenburg et al.	D7/629
3,140,019	7/1964	Barr	222/480
3,767,087	10/1973	Shannon	D7/596 X
4,361,250	11/1982	Foster	220/266
4,693,399	9/1987	Hickman et al.	222/480
5,183,171	2/1993	Pherigo	220/266
5,330,082	7/1994	Forsyth	220/480

OTHER PUBLICATIONS

Dual opening cap, Clark Customation ad, *Packaging Magazine*, Apr. 1985, p. 56.

Sidepour™ Closure ad, *Packaging Magazine*, May 1989, p. 18.

Primary Examiner—Alan P. Douglas

Assistant Examiner—Robert M. Spear

Attorney, Agent, or Firm—Cohen, Pontani, Lieberman, Pavane

[57] CLAIM

The ornamental design for a dual-outlet condiment dispensing container, as shown and described.

DESCRIPTION

FIG. 1 is a front, left side, elevated perspective view of a dual outlet condiment dispensing container showing our new design;

FIG. 2 is a top plan view thereof;

FIG. 3 is a front side view thereof;

FIG. 4 is a right side view thereof, the left side view being a mirror image thereof;

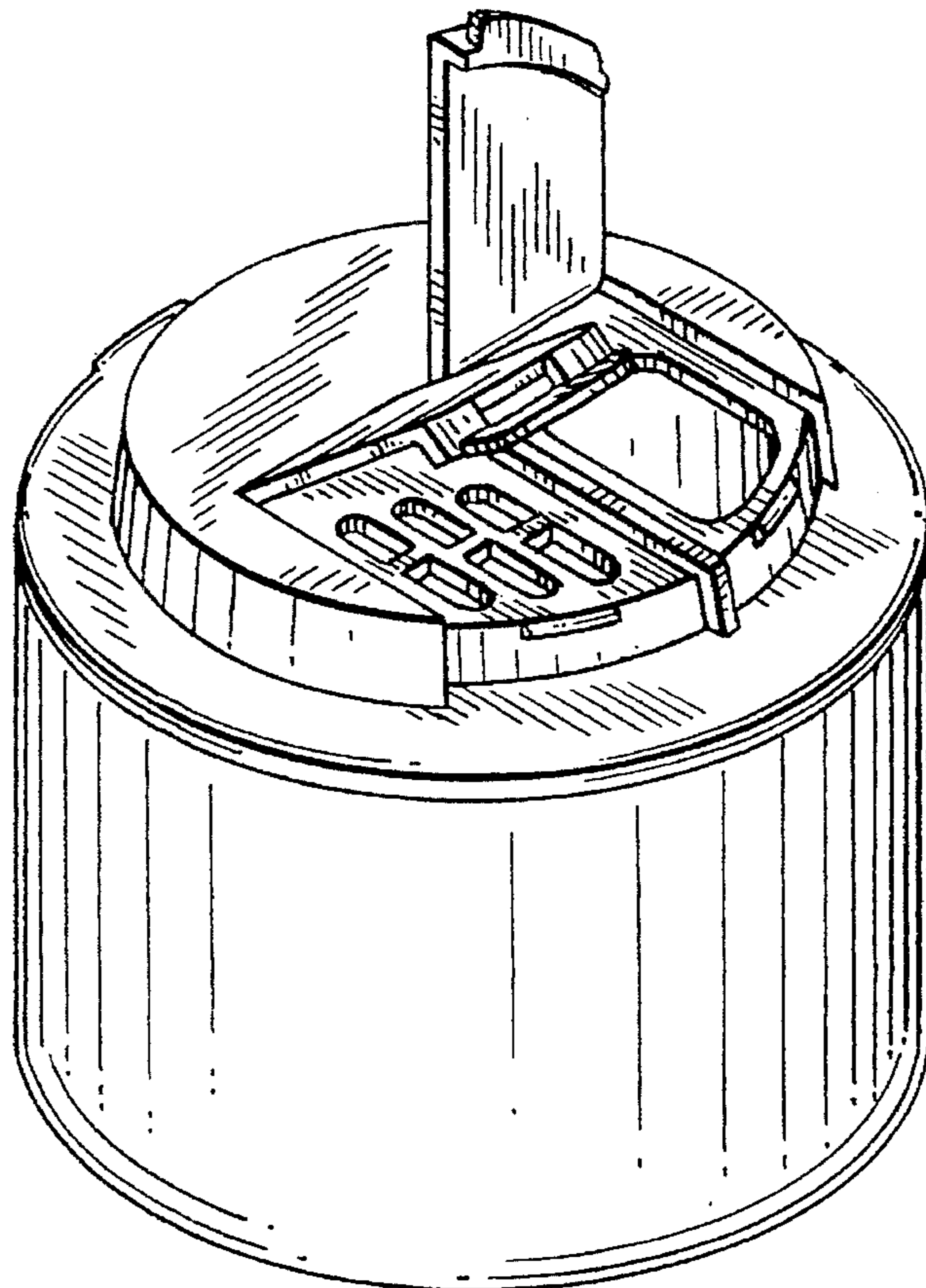
FIG. 5 is a rear side view thereof;

FIG. 6 is a bottom plan view thereof;

FIG. 7 is a front, left side, elevated perspective view thereof in a first partially open condition; and,

FIG. 8 is a front, left side, elevated perspective view thereof in a second partially open condition.

1 Claim, 3 Drawing Sheets



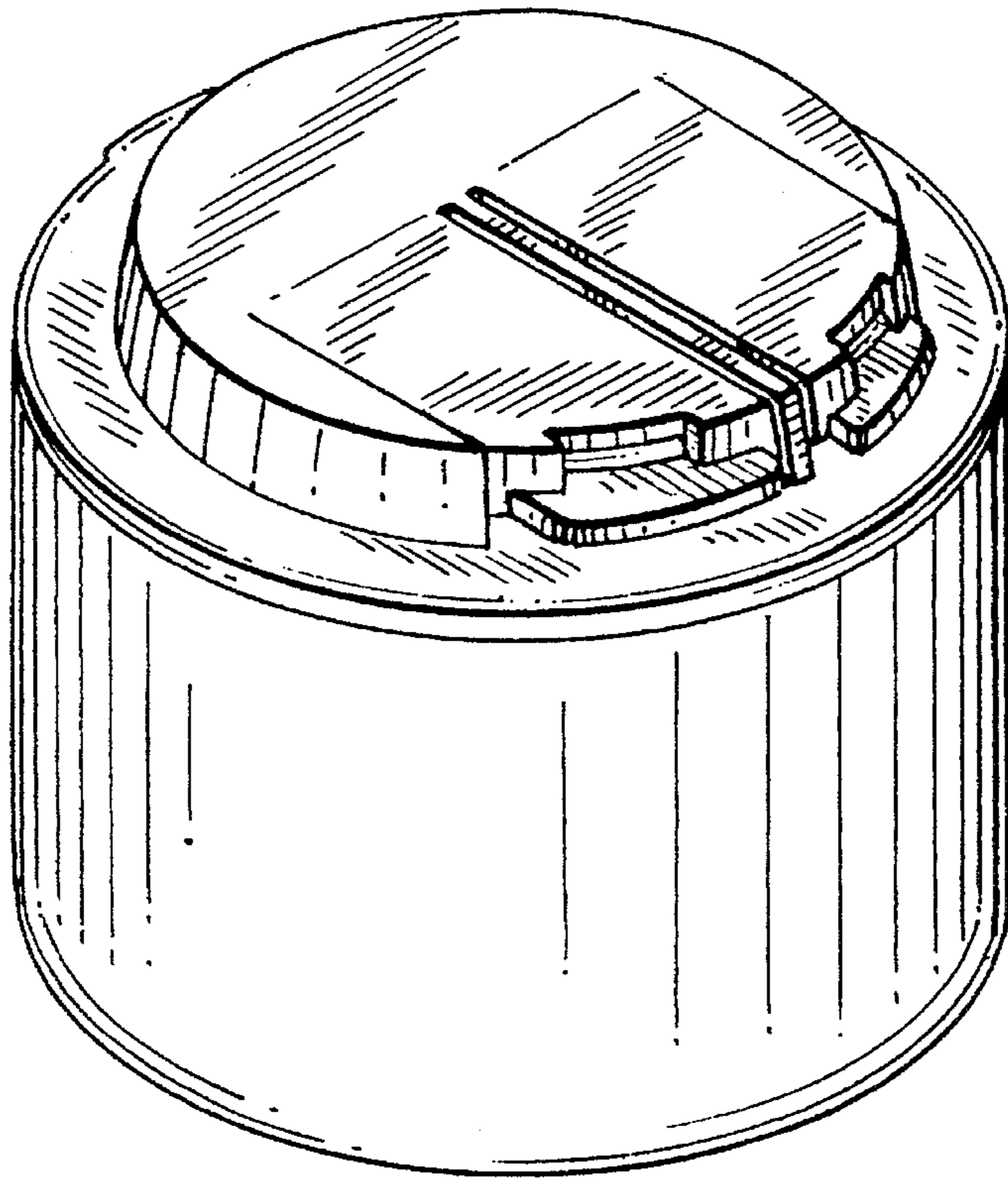


FIG. 1

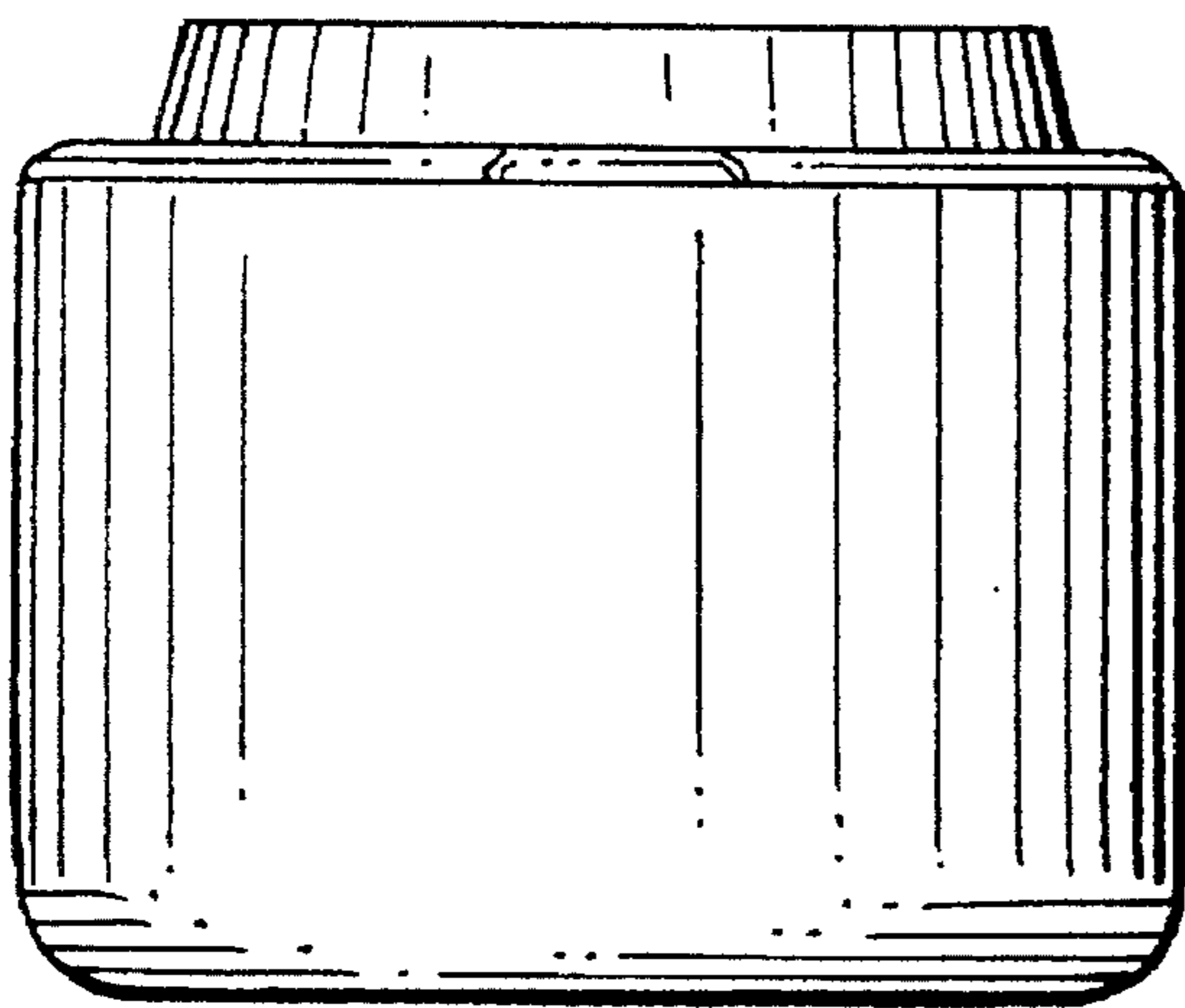


FIG. 5

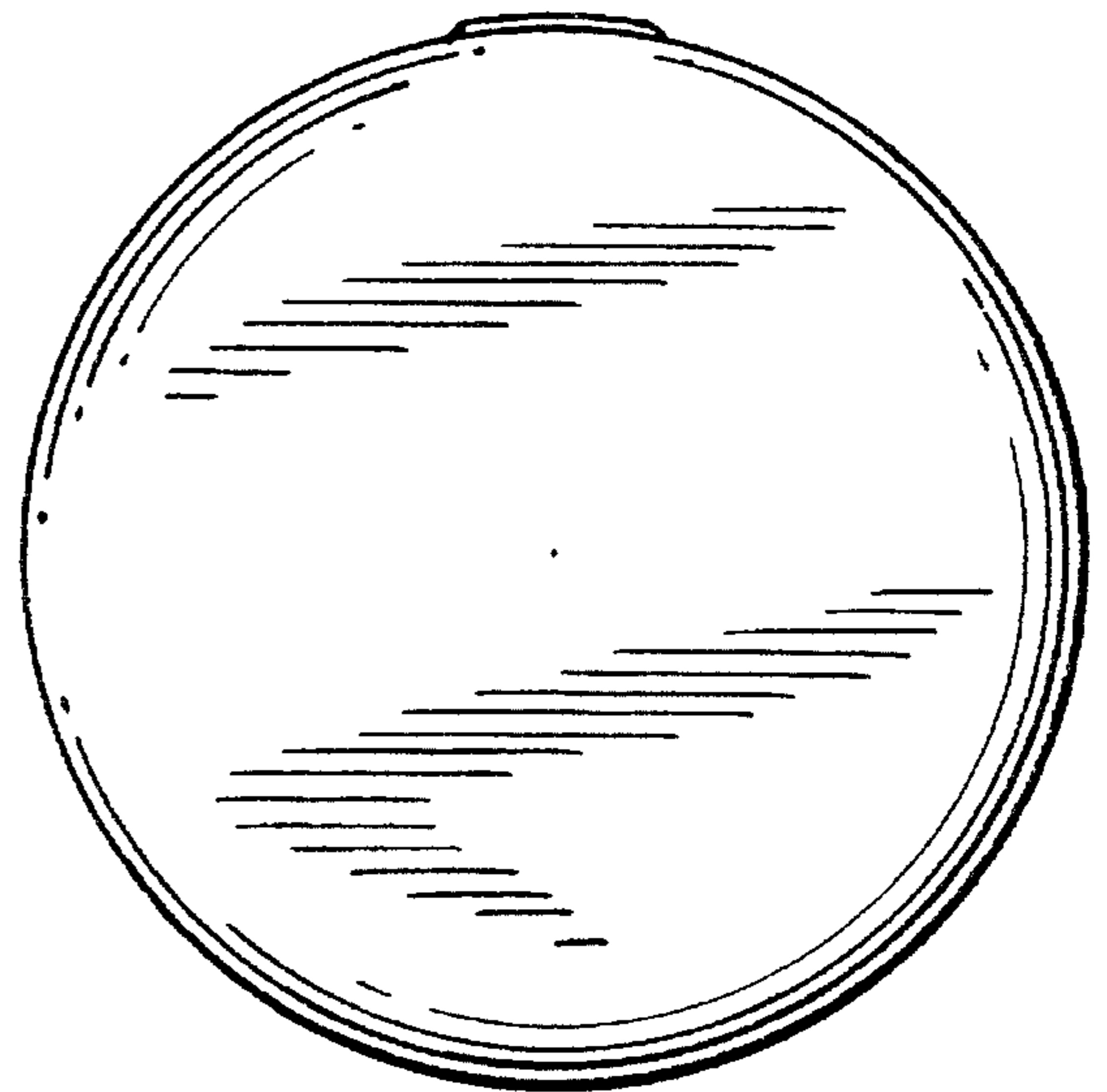


FIG. 6

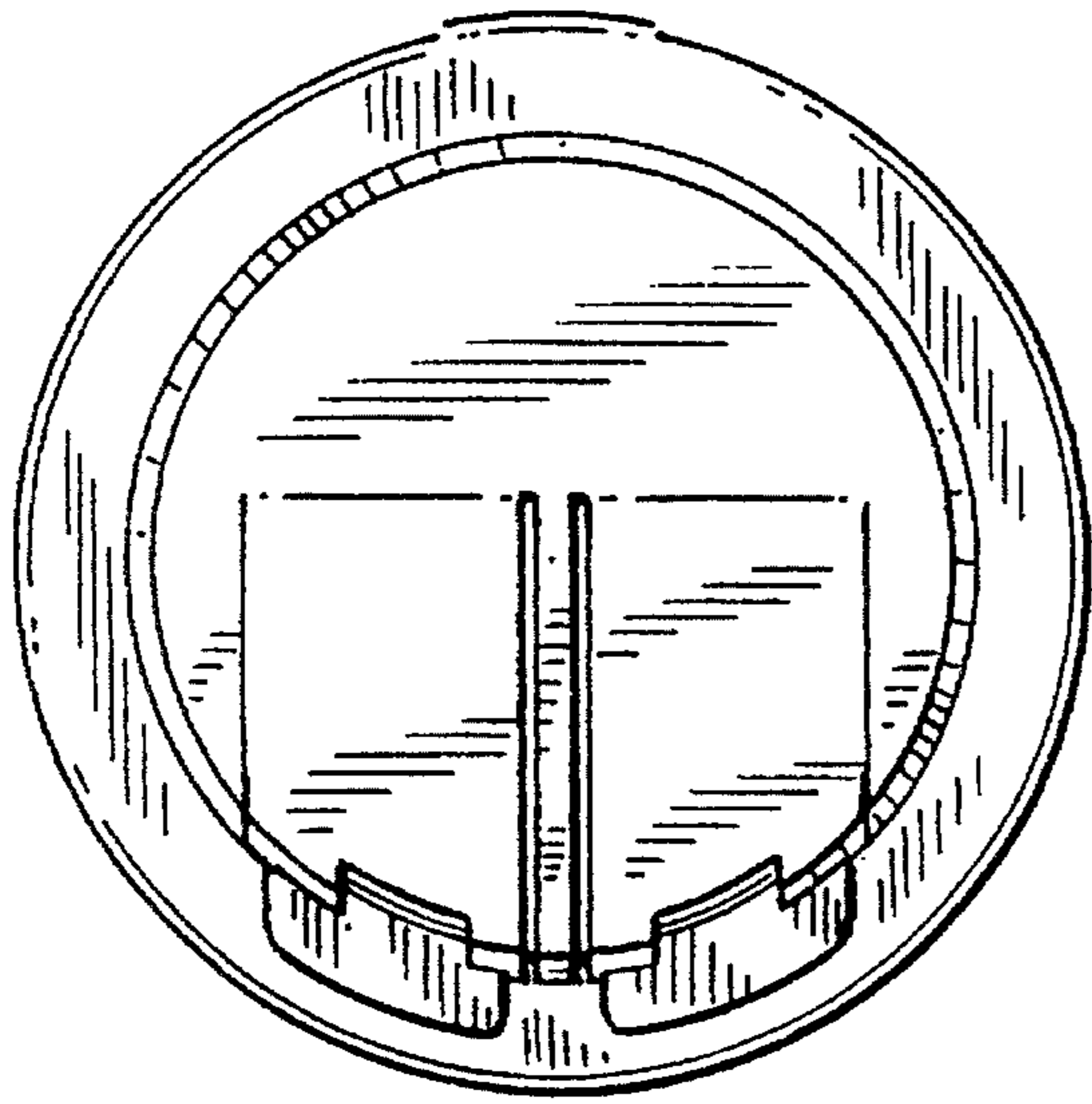


FIG. 2

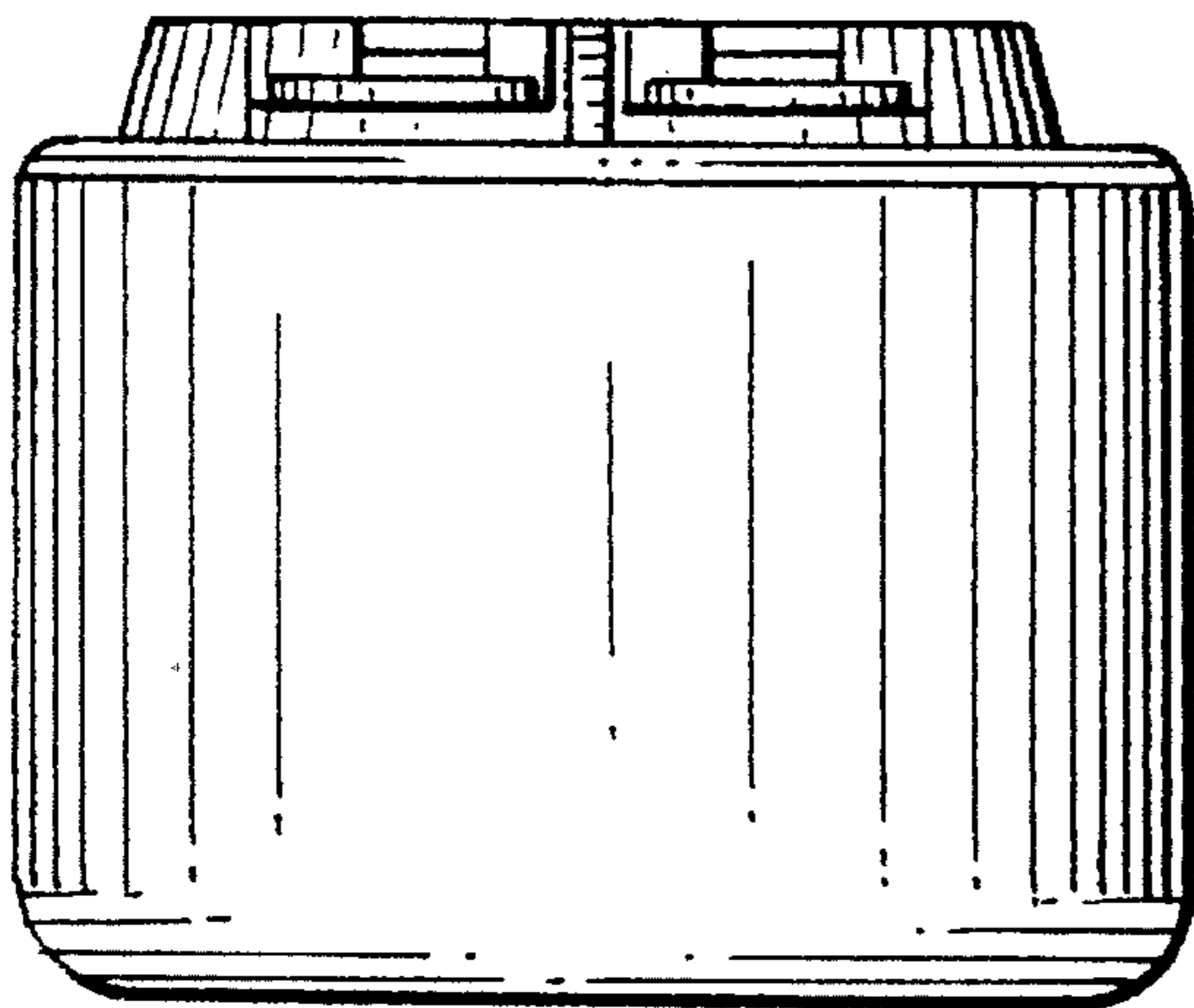


FIG. 3

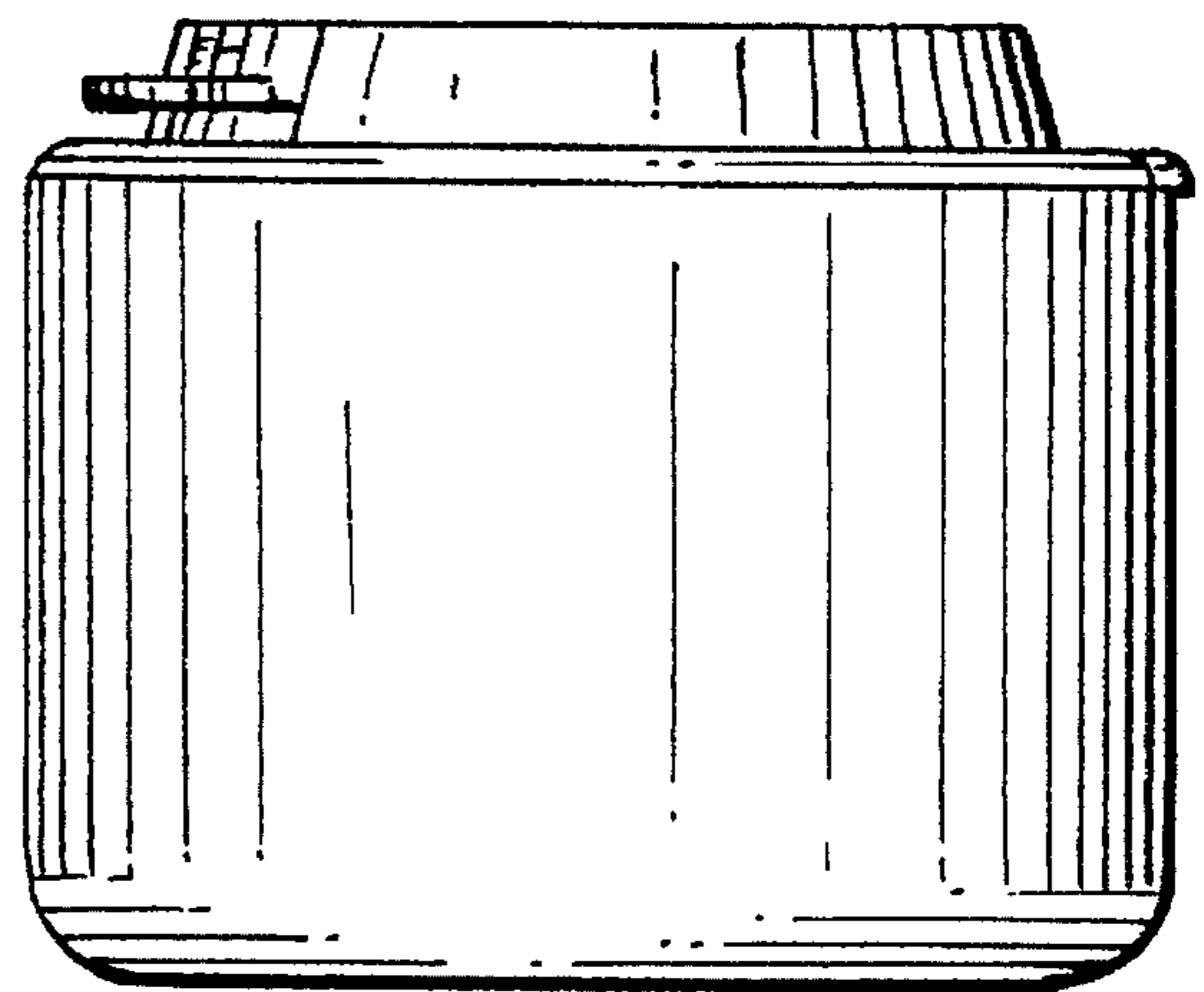


FIG. 4

FIG. 7

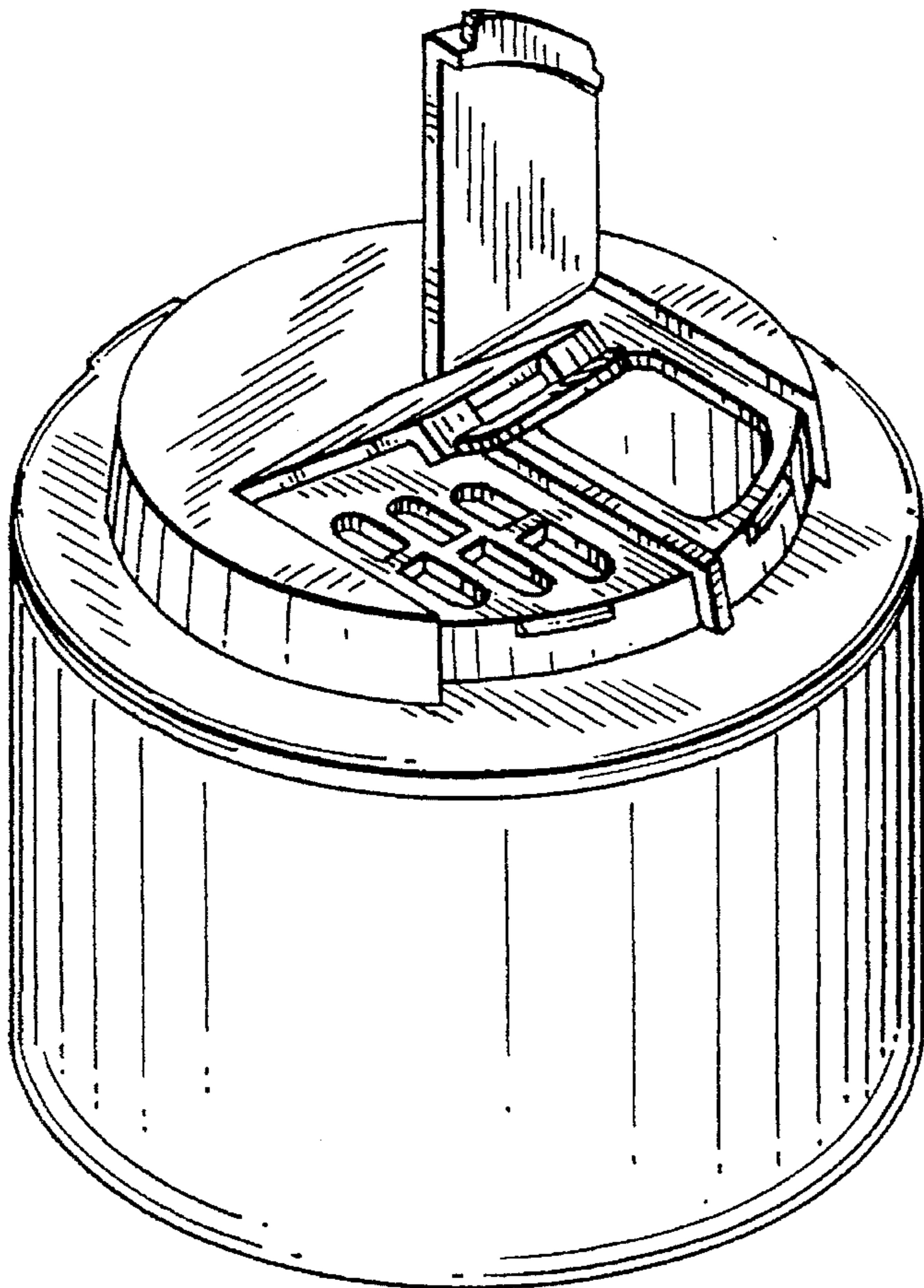
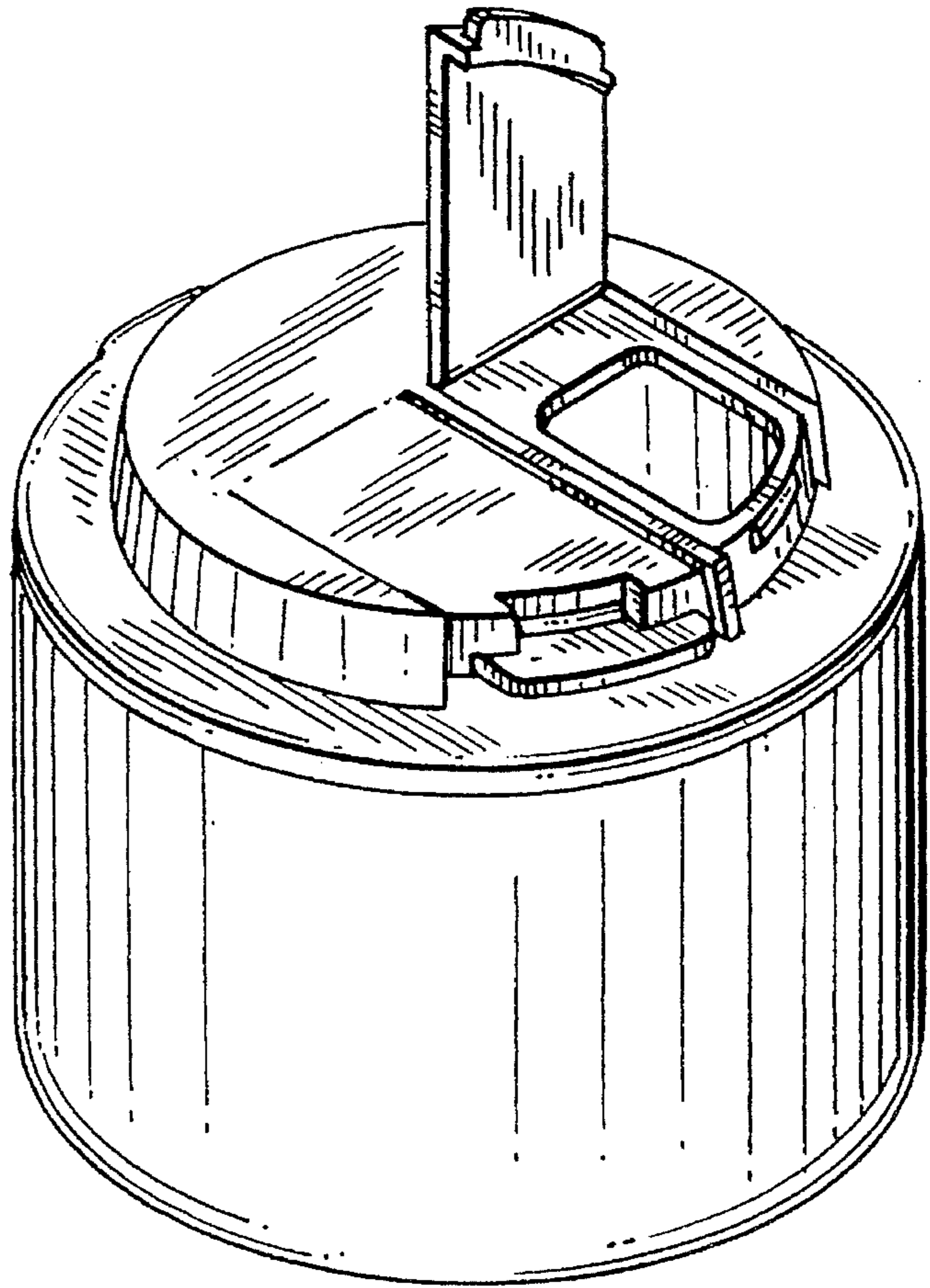


FIG. 8