



US00D362594S

# United States Patent [19]

[11] Patent Number: **Des. 362,594**

McEntee

[45] Date of Patent: **\*\*Sep. 26, 1995**

[54] MIXING BOWL

[75] Inventor: **Kathy McEntee**, Baldwinville, Mass.

[73] Assignee: **Tucker Housewares**, Leominster, Mass.

[\*\*] Term: **14 Years**

[21] Appl. No.: **23,161**

[22] Filed: **May 19, 1994**

[52] U.S. Cl. .... **D7/538; D7/584; D7/543**

[58] Field of Search ..... **D7/584, 586, 543, D7/587, 585, 588, 595, 543, 540, 538, 545, 500, 501, 557, 550, 551, 552, 608, 360; 220/772, 306**

D. 288,649	3/1987	Daenin et al. ....	D7/586
D. 309,554	7/1990	Meisner .....	D7/602
D. 317,125	5/1991	Ambasz .....	D9/417
2,121,654	6/1938	Donchian .....	220/524
2,873,120	2/1959	Hall .....	279/4.09
3,233,812	2/1966	Kennedy .....	229/406
4,809,868	3/1989	Pomroy .....	D7/538 X
5,147,059	9/1992	Olsen et al. ....	220/306 X
5,203,836	4/1993	Brazis et al. ....	206/507

Primary Examiner—Alan P. Douglas  
Assistant Examiner—M. N. Pandozzi  
Attorney, Agent, or Firm—Darby & Darby

### [57] CLAIM

The ornamental design for a mixing bowl, as shown and described.

### [56] References Cited

#### U.S. PATENT DOCUMENTS

D. 104,168	4/1937	Mackelfresh .....	D27/134
D. 192,943	5/1962	Eicholtz .....	D9/417
D. 206,773	1/1967	Reny .....	D9/424
D. 218,089	7/1970	Chadbourne .....	D9/424
D. 230,724	8/1980	Trump .....	D25/4
D. 234,180	1/1975	Dart et al. ....	D7/584
D. 248,278	6/1978	Holden, Jr. ....	D9/424
D. 262,682	1/1982	Morin .....	D7/318

### DESCRIPTION

FIG. 1 is a front elevational view of a preferred embodiment of the transgenerational mixing bowl with a preferred lid; FIG. 2 is a top plan view of the preferred lid; FIG. 3 is a bottom plan view of the preferred embodiment of the transgenerational mixing bowl with a preferred lid; FIG. 4 is a bottom plan view of the preferred lid; and, FIG. 5 is a perspective view of the preferred lid.

1 Claim, 3 Drawing Sheets

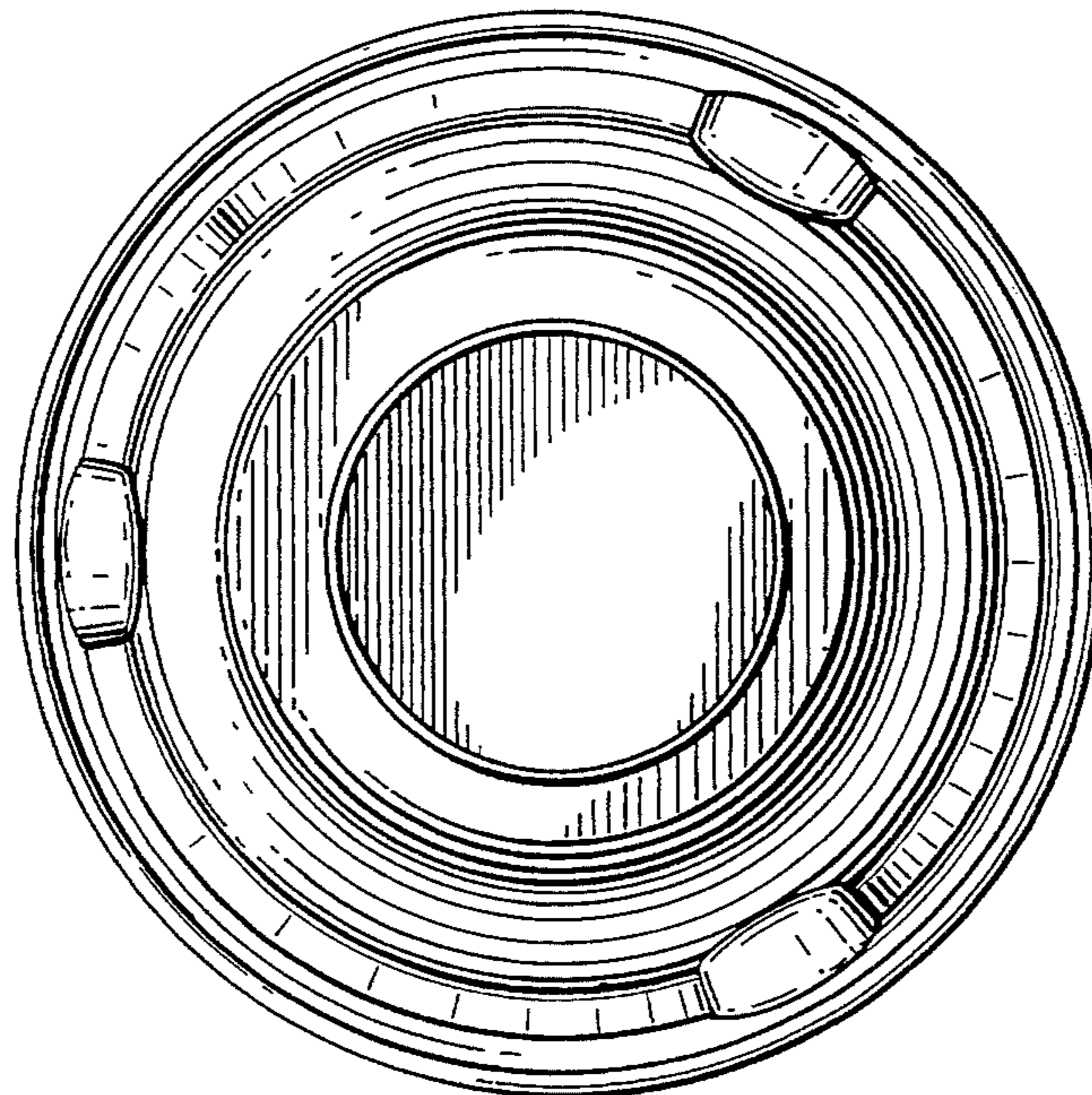
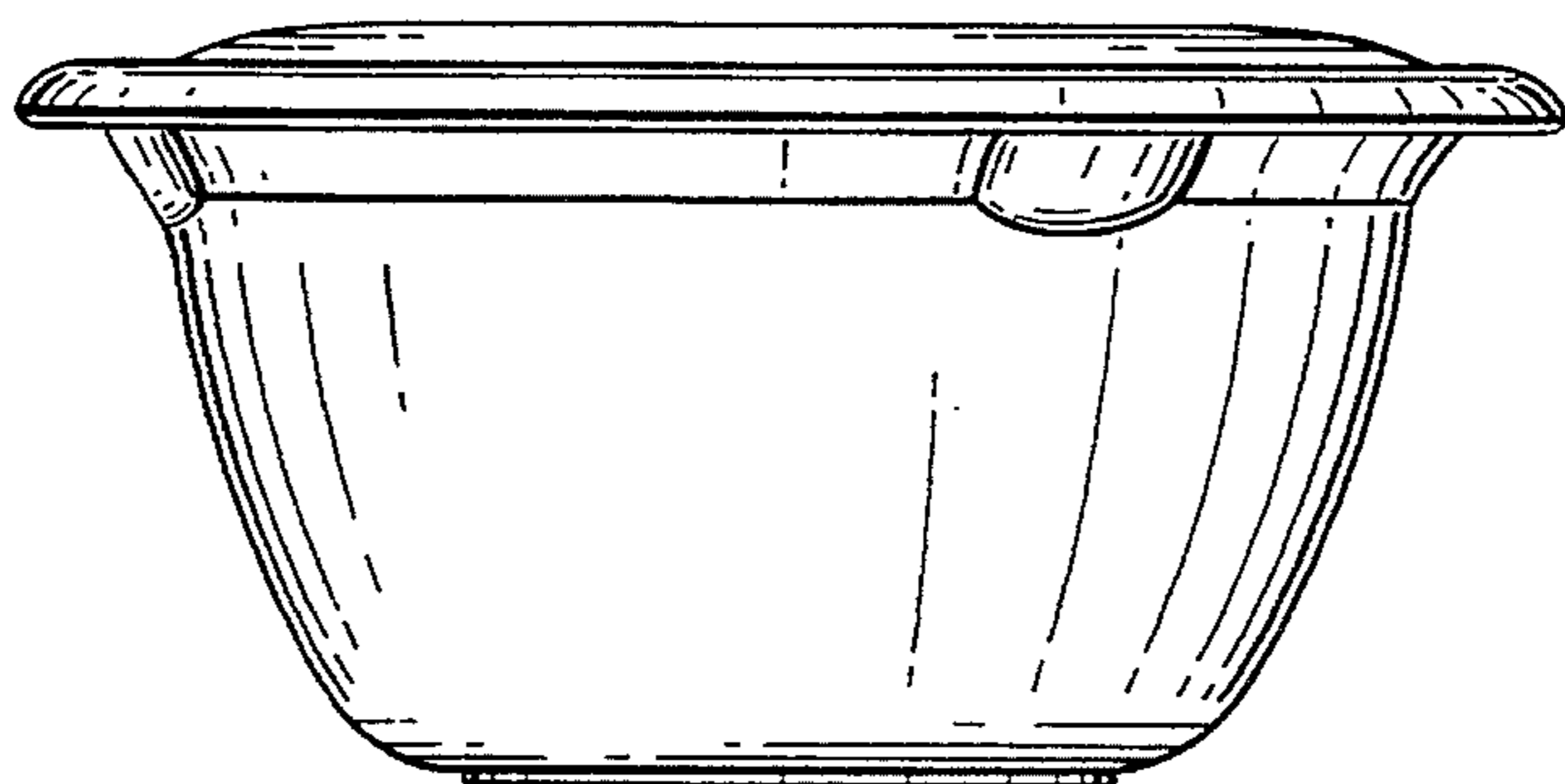


FIG. 1

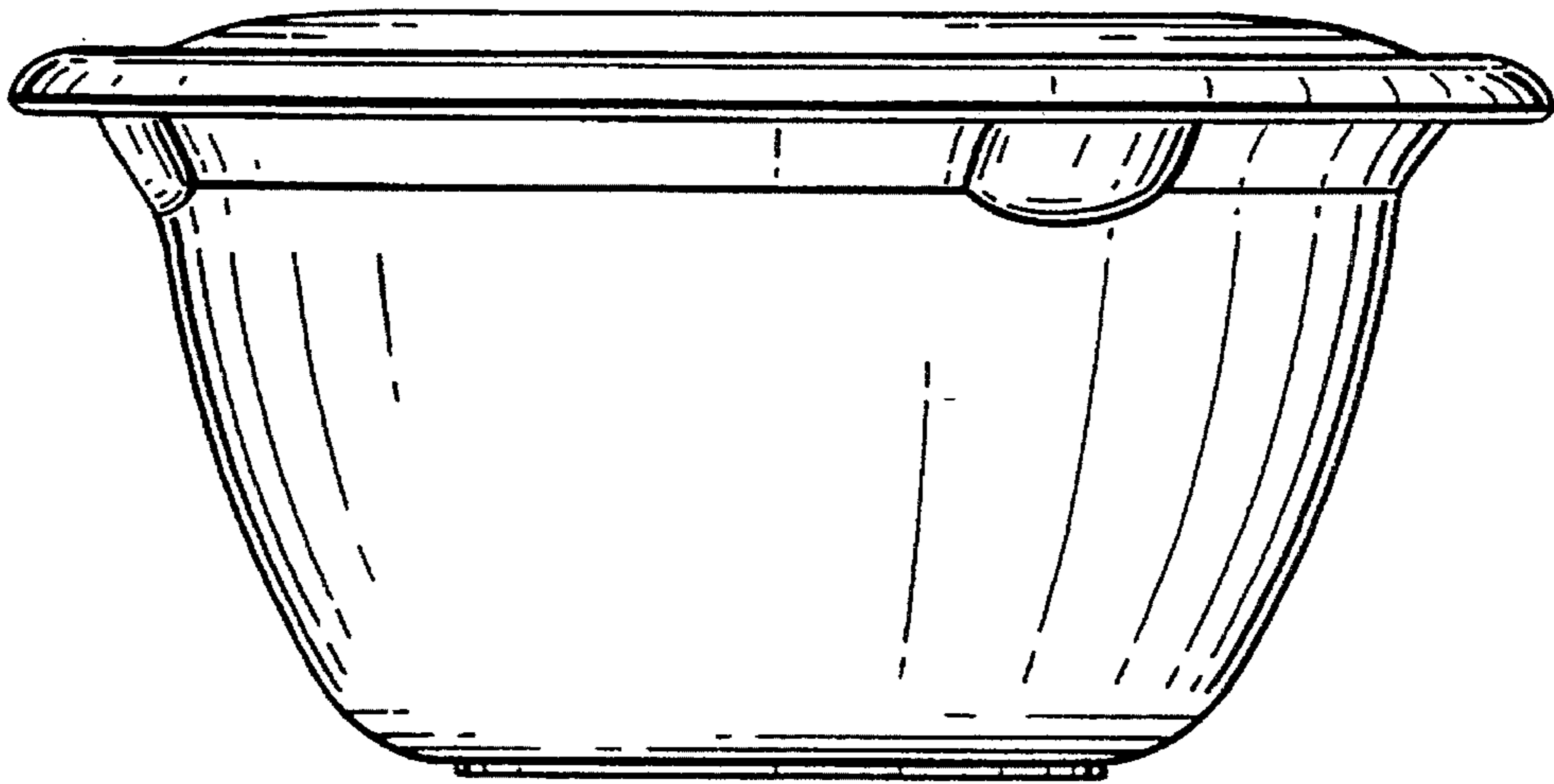


FIG. 2

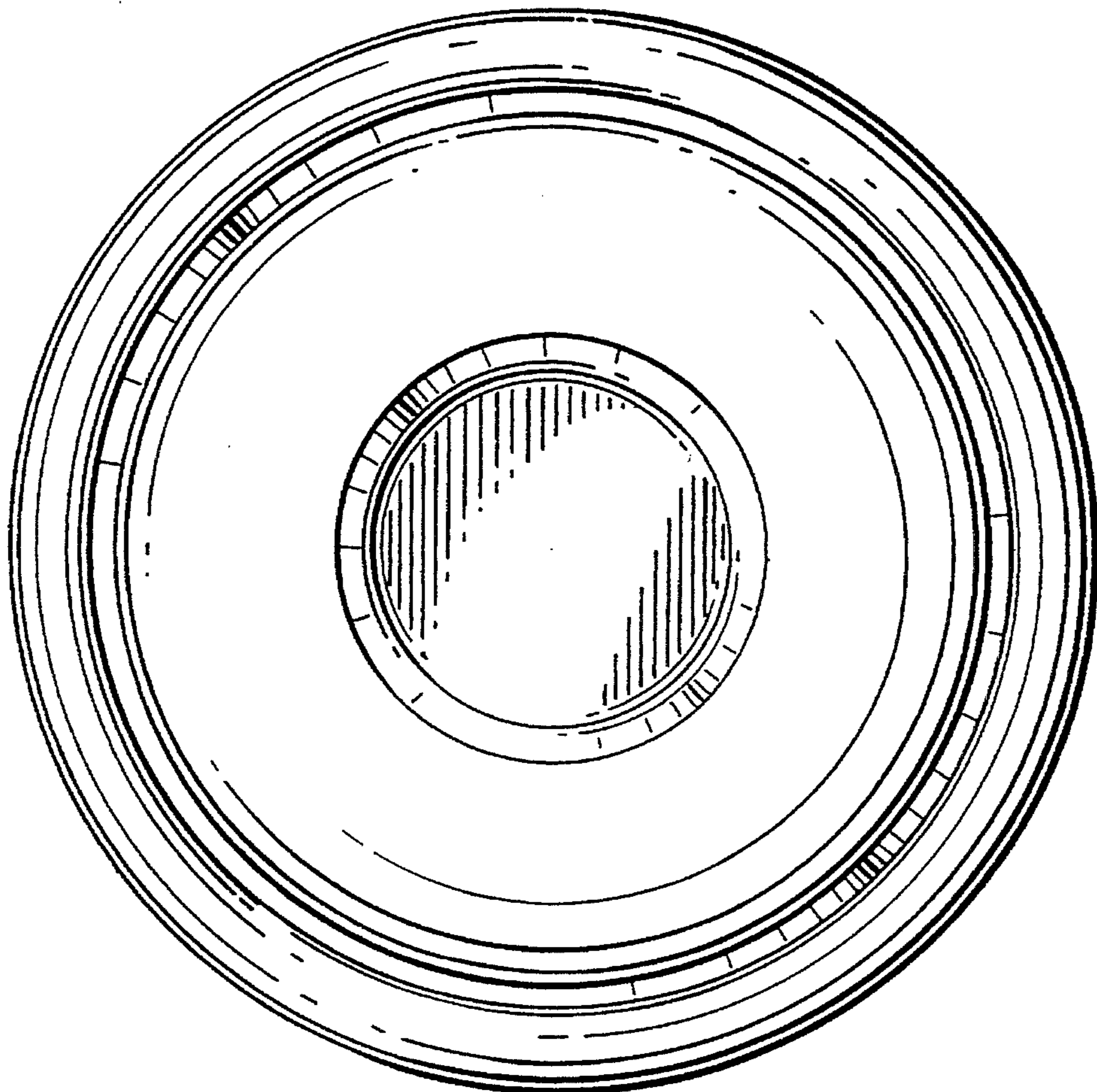




FIG. 3

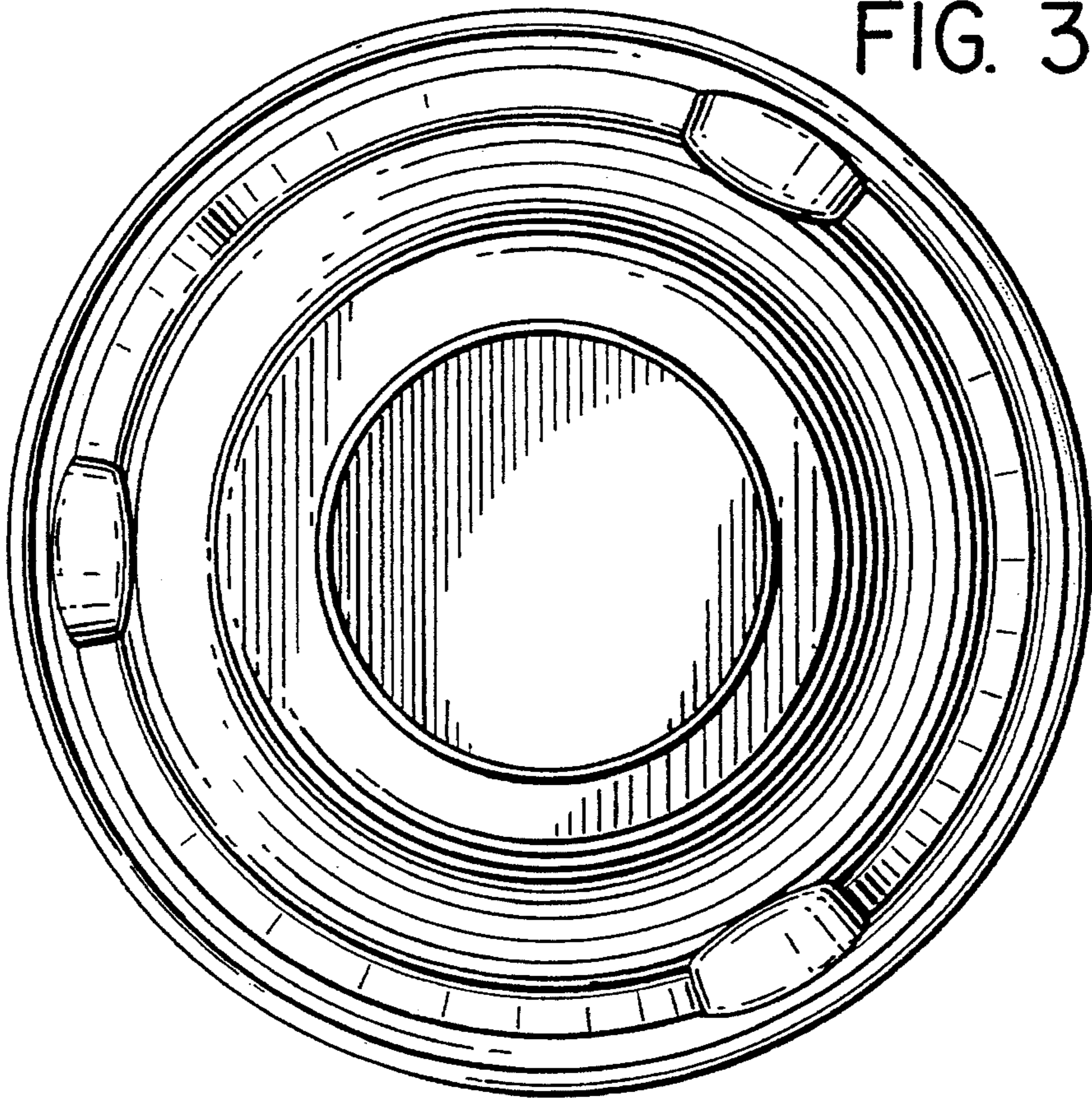


FIG. 4

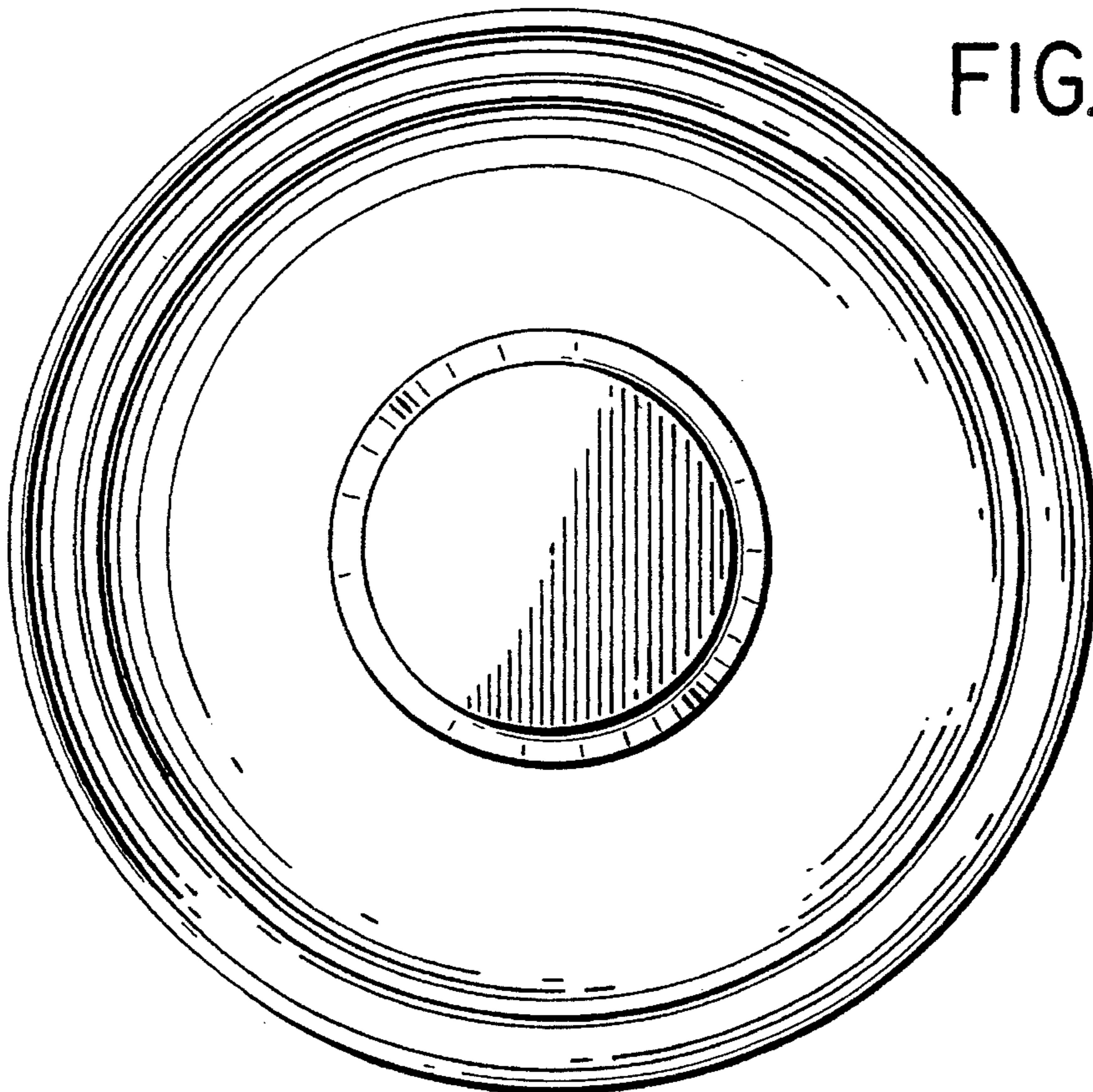


FIG. 5

