



US00D362593S

United States Patent [19]

[11] **Patent Number:** **Des. 362,593**

Fish

[45] **Date of Patent:** ****Sep. 26, 1995**

[54] **COMBINED TACO AND CONDIMENT PLATE**

[76] Inventor: **Ronald P. Fish**, 6400 SE. 57th., Oklahoma City, Okla. 73135

[**] Term: **14 Years**

[21] Appl. No.: **31,973**

[22] Filed: **Dec. 9, 1994**

- D. 264,668 6/1982 Golbuski et al. .
- D. 266,816 11/1982 Schupp .
- D. 291,042 7/1987 Fahey et al. D7/555
- D. 293,870 1/1988 Conrady et al. D7/555
- D. 293,994 2/1988 Conrady et al. .
- D. 297,797 9/1988 Roberts .
- D. 328,406 8/1992 Hammond et al. D7/504

Primary Examiner—Terry A. Wallace
Attorney, Agent, or Firm—Robert K. Rhea

Related U.S. Application Data

[62] Division of Ser. No. 10,077, Jun. 29, 1993, Pat. No. D. 353,302.

[52] U.S. Cl. **D7/504; D7/553; D7/555**

[58] Field of Search D7/504, 550, 553-554, D7/555-557; D9/341; 206/562-564; 211/10, 11, 13, 71; 220/23.8, 500, 507, 512; 229/2.5 R, 904

[57] CLAIM

The ornamental design for a combined taco and condiment plate, as shown and described.

DESCRIPTION

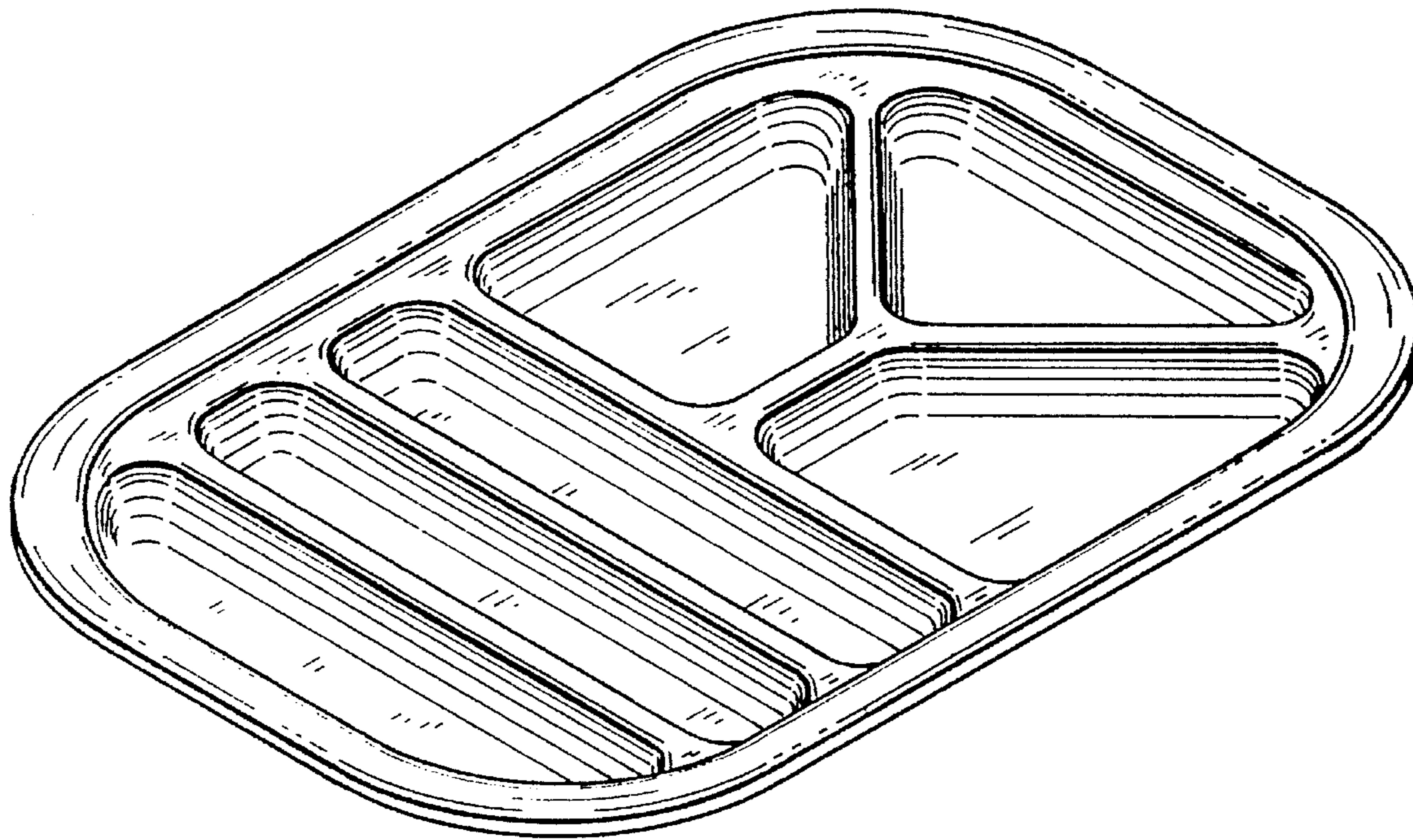
FIG. 1 is a perspective view of a combined taco and condiment plate showing my new design;
FIG. 2 is a side elevational view thereof, the view from the opposite side being a mirror image;
FIG. 3 is an end elevational view thereof, the view from the opposite end being a mirror image; and,
FIG. 4 is a bottom view thereof.

[56] References Cited

U.S. PATENT DOCUMENTS

D. 250,928 1/1979 Franklin D7/555

1 Claim, 1 Drawing Sheet



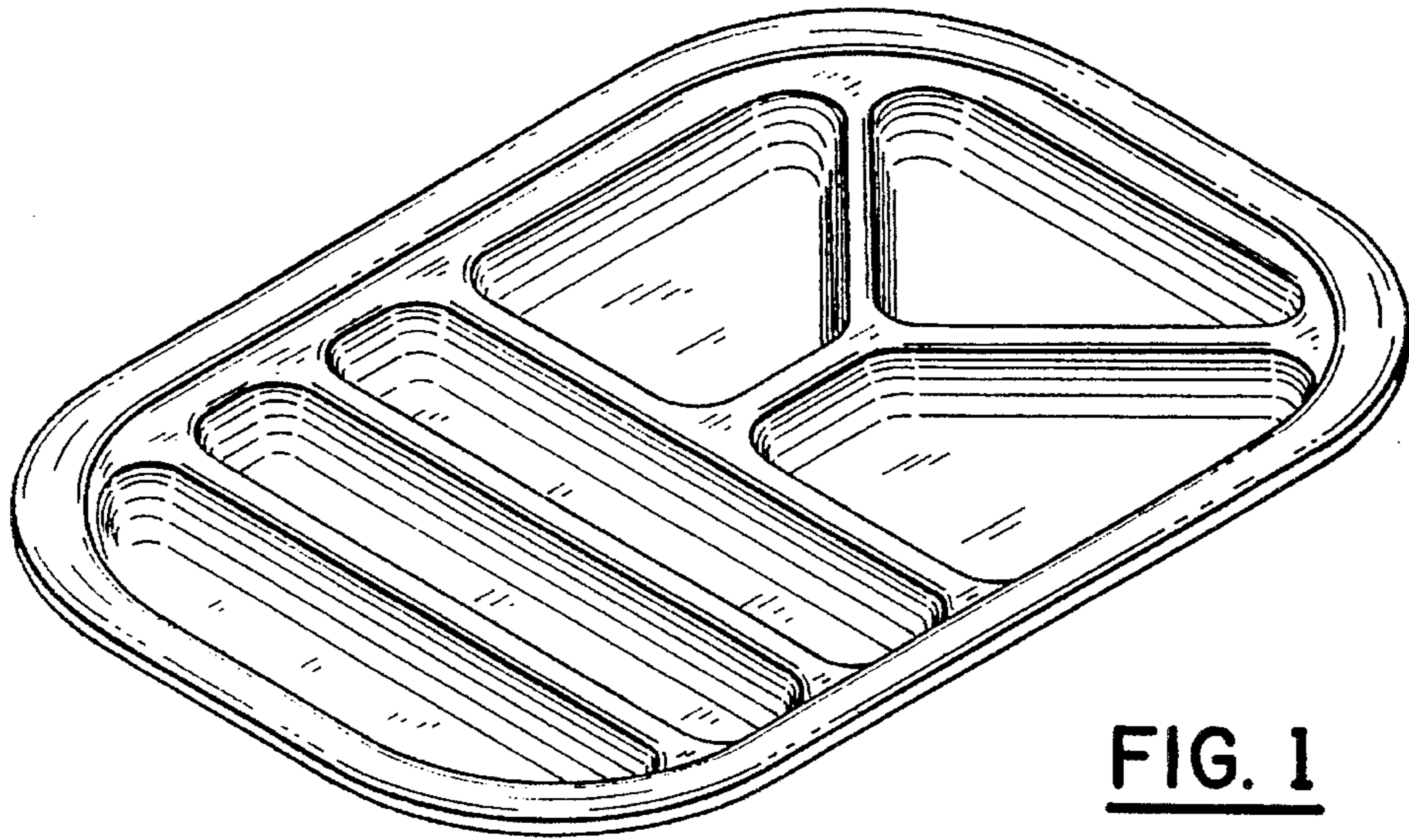


FIG. 1



FIG. 2



FIG. 3

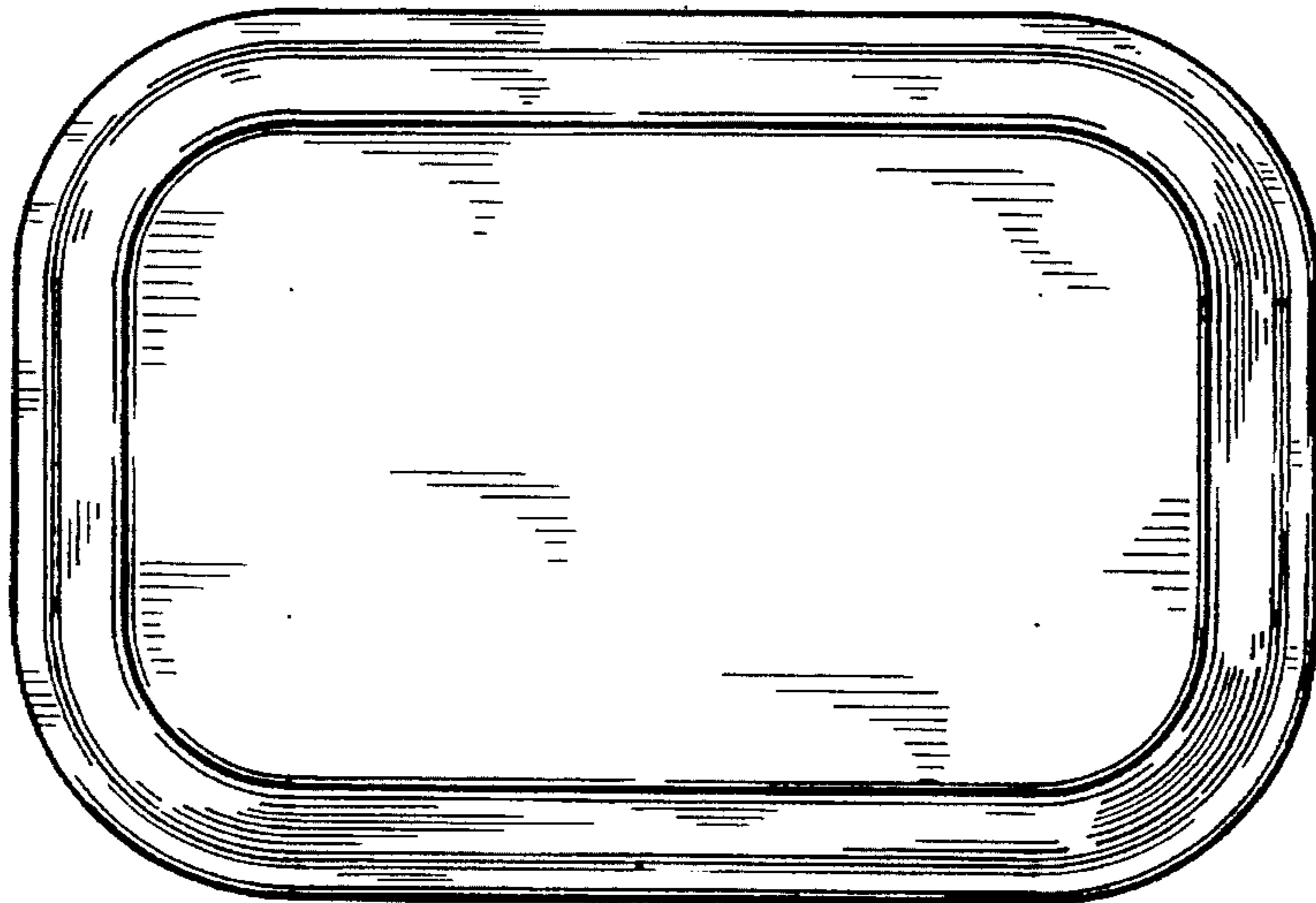


FIG. 4