



US00D362589S

# United States Patent [19]

[11] Patent Number: **Des. 362,589**

Cohen et al.

[45] Date of Patent: **\*\*Sep. 26, 1995**

## [54] HANDLE FOR KNIVES, KITCHEN TOOLS AND GADGETS

[75] Inventors: **Milton L. Cohen**, Hewlett Bay Park;  
**Jeff Siegel**, Great Neck, both of N.Y.

[73] Assignee: **Lifetime Hoan Corporation**, Westbury,  
N.Y.

[\*\*] Term: **14 Years**

[21] Appl. No.: **15,990**

[22] Filed: **Dec. 6, 1993**

[52] U.S. Cl. .... **D7/393**; D8/107

[58] Field of Search ..... D7/393, 395, 401.2,  
D7/649, 688, 691, 692, 693; D4/138; D8/1,  
10, 107, 303, 308, DIG. 7; D12/178; D22/118;  
30/322

## [56] References Cited

### U.S. PATENT DOCUMENTS

D. 351,329	10/1994	Harris	.....	D8/107
2,021,158	11/1935	Stearns	.....	D4/138 X
5,206,998	5/1993	Oriente et al.	.....	30/322 X

## OTHER PUBLICATIONS

Macy's Sale Catalog; #R Turner (Farberware) 3rd from top on right; #N Basting Spoon top right.

*Primary Examiner*—Alan P. Douglas  
*Assistant Examiner*—Caron D. Veynar  
*Attorney, Agent, or Firm*—Goodman & Teitelbaum

## [57] CLAIM

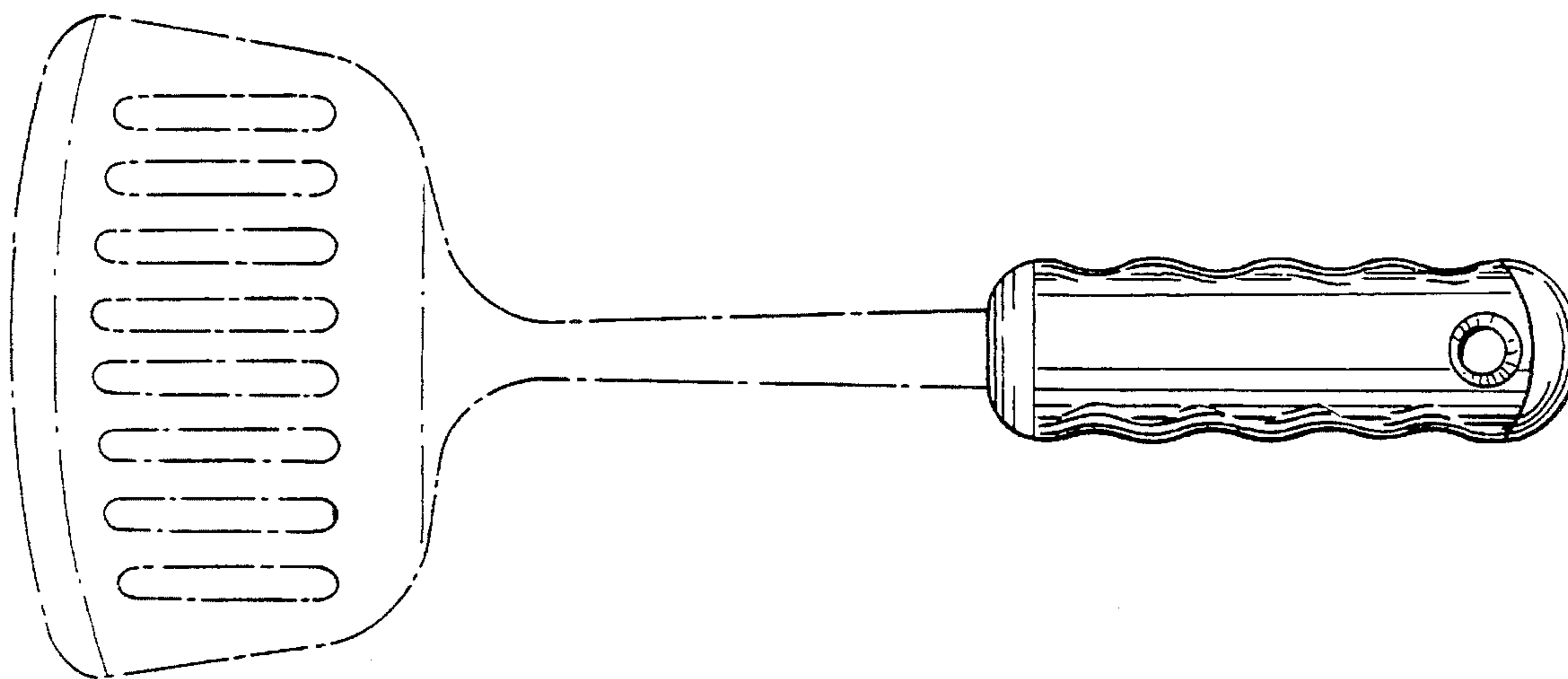
The ornamental design for a handle for knives, kitchen tools and gadgets, as shown and described.

## DESCRIPTION

FIG. 1 is a side elevational view of a handle for knives, kitchen tools and gadgets, showing our new design; FIG. 2 is a top plan view; FIG. 3 is an elevational view of the opposite side; FIG. 4 is a bottom plan view; FIG. 5 is a left end elevational view of FIG. 2; and, FIG. 6 is a right end elevational view of FIG. 2.

The broken line showings of a turner in FIGS. 1-6 are for illustrative purposes only and forms no part of the claimed design.

**1 Claim, 2 Drawing Sheets**



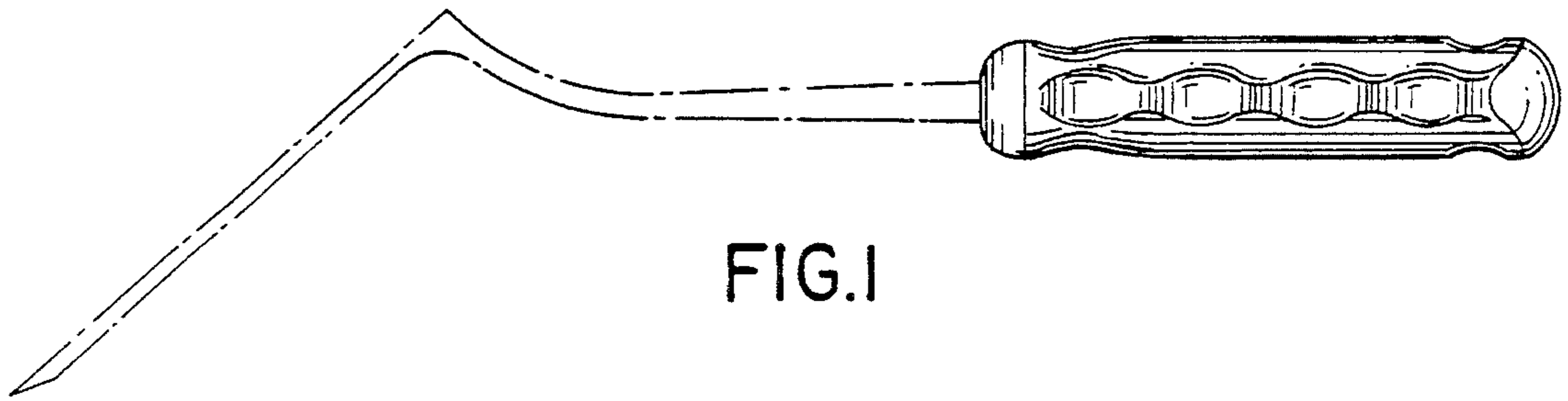


FIG. 1

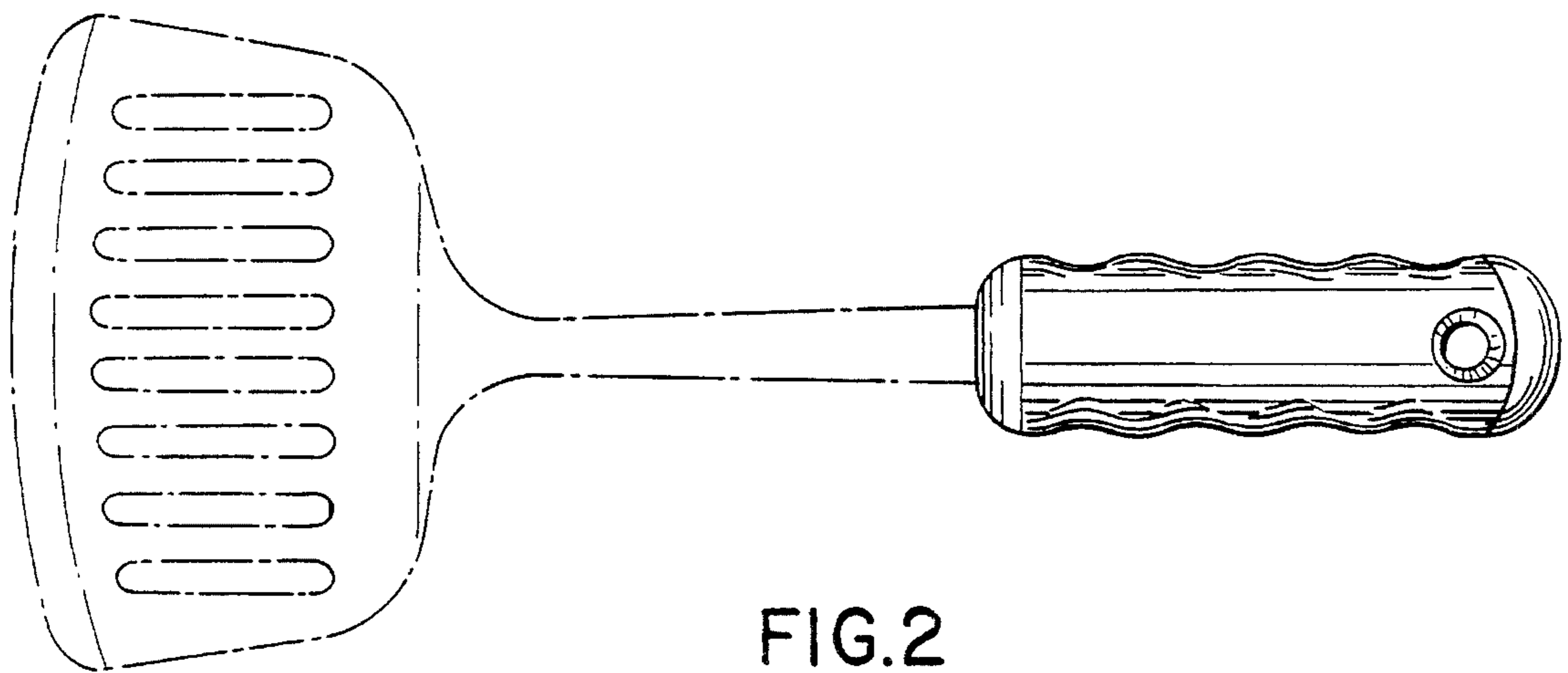


FIG. 2

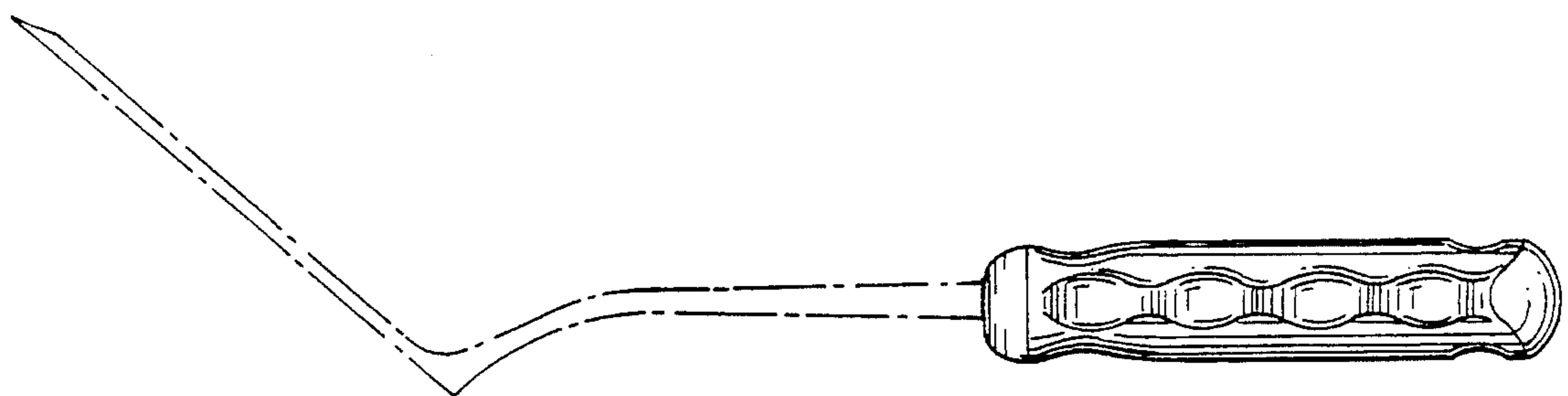


FIG. 3

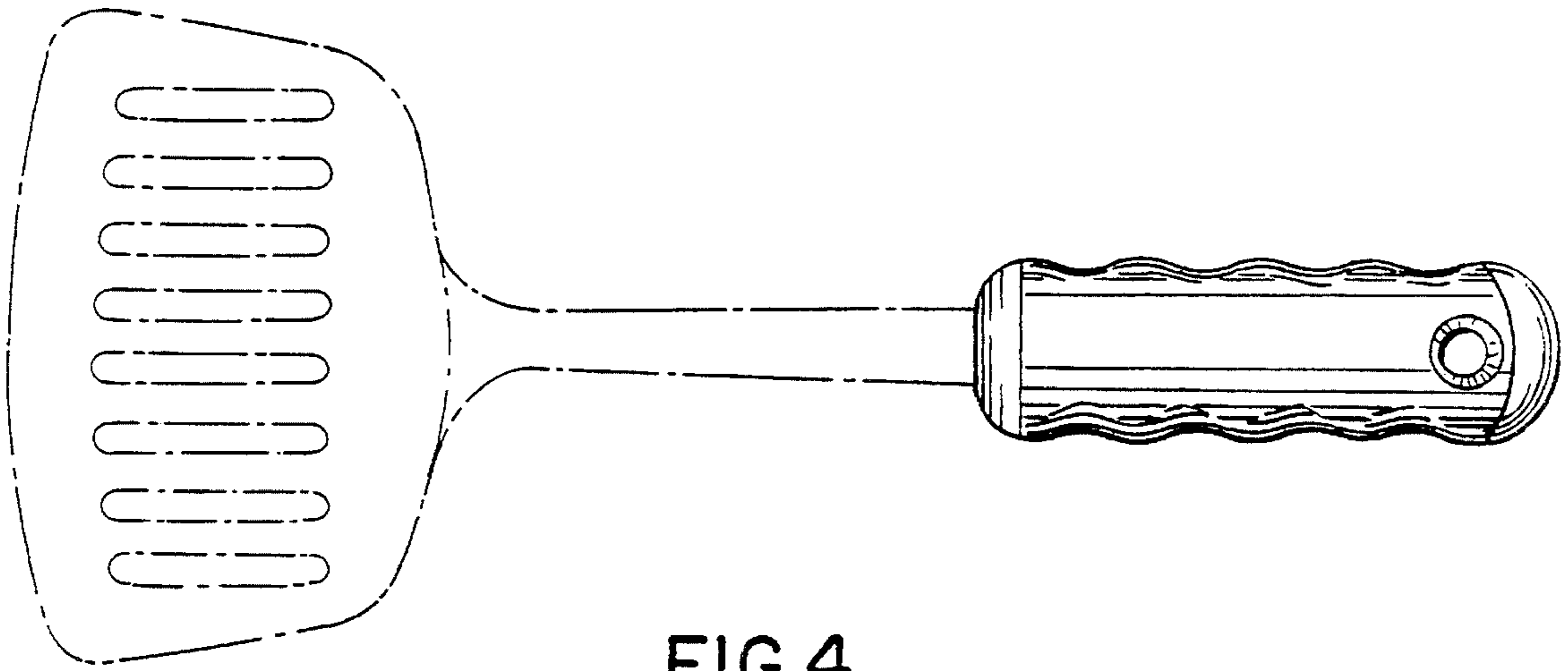


FIG. 4

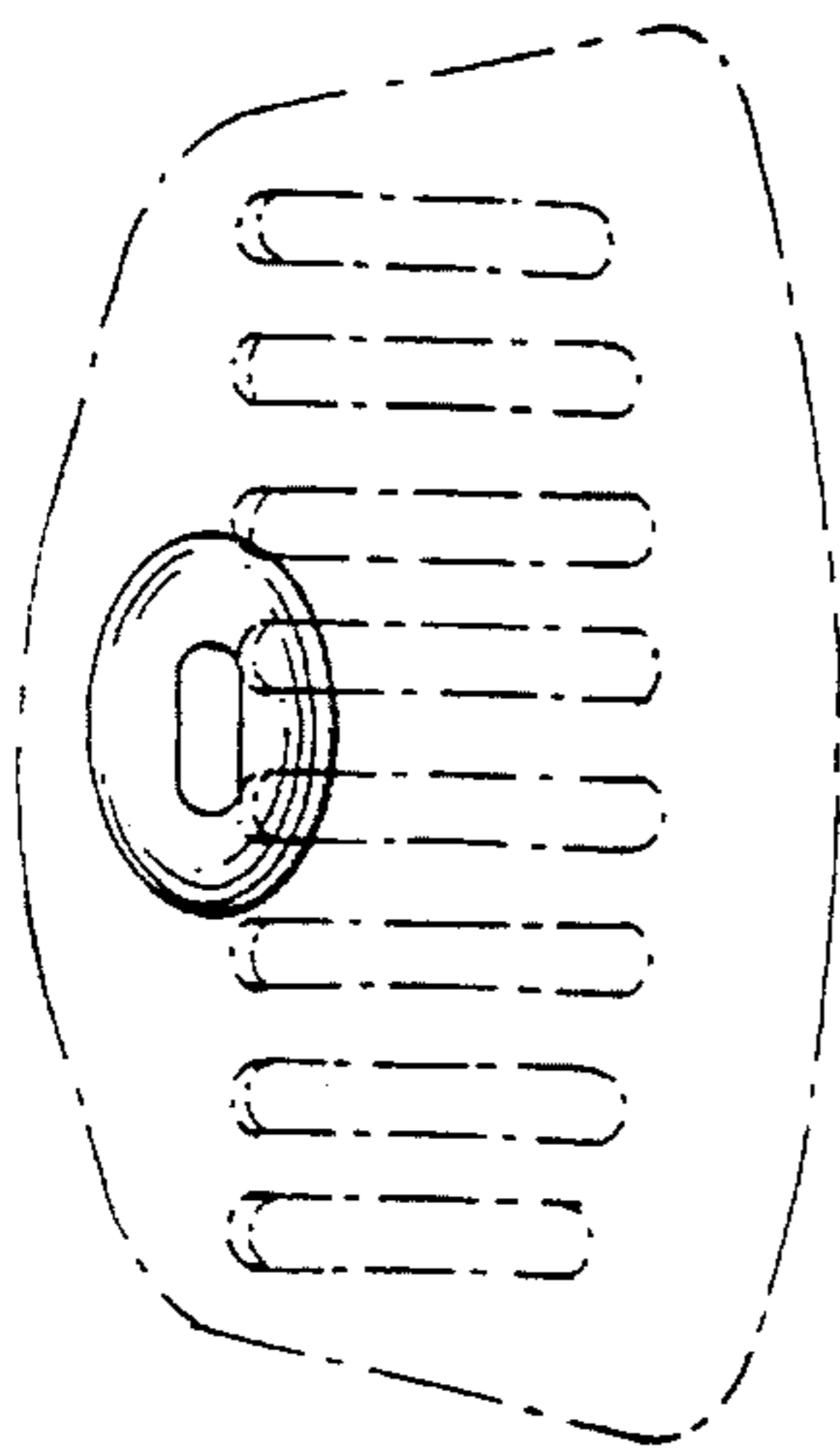


FIG. 5

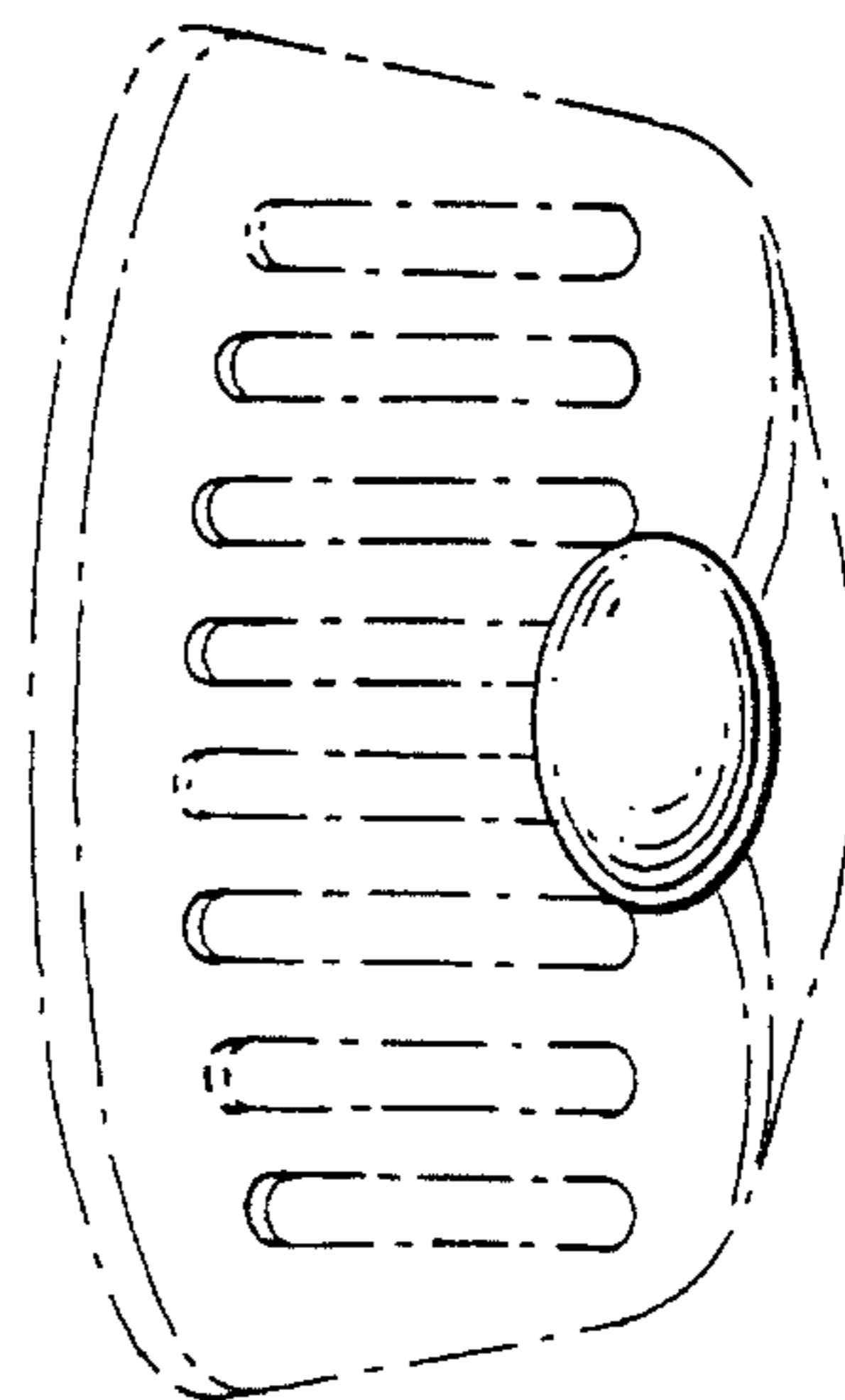


FIG. 6