



US00D362585S

United States Patent [19]

[11] Patent Number: **Des. 362,585**

Thompson

[45] Date of Patent: ****Sep. 26, 1995**

[54] **PORTABLE BARBECUE GRILL**

[76] Inventor: **Bryan Thompson**, 110 E. El Camino, Santa Maria, Calif. 93454

[**] Term: **14 Years**

[21] Appl. No.: **23,680**

[22] Filed: **May 31, 1994**

[52] U.S. Cl. **D7/337**

[58] Field of Search D7/332, 334-337, D7/338, 339, 402, 403; 126/25 R, 25 A, 25 AA, 29-30, 9 R, 9 B, 38, 39 B, 39 E, 39 H, 40; 99/450, 449

2,122,275	6/1938	Bitney	126/25 R
3,375,816	4/1968	Chesnut, Jr.	126/25 R
3,828,759	8/1974	Cooper	126/25 R
4,457,290	7/1984	Edwards	126/25 R

Primary Examiner—Ruth McInroy
Attorney, Agent, or Firm—Daniel C. McKown

[57] **CLAIM**

The ornamental design for a portable barbecue grill, as shown.

DESCRIPTION

FIG. 1 is a front elevational view of a portable barbecue grill showing my new design;
FIG. 2 is a left side elevational view thereof;
FIG. 3 is a rear elevational view thereof;
FIG. 4 is a right side elevational view thereof;
FIG. 5 is a top plan view thereof;
FIG. 6 is a bottom plan view thereof; and,
FIG. 7 is a top front left side perspective view thereof.

[56] **References Cited**

U.S. PATENT DOCUMENTS

D. 263,918	4/1982	Boyd	D7/336
D. 274,686	7/1984	Ambler	D7/337
D. 276,688	12/1984	Lee	D7/332
D. 337,477	7/1993	Garza	D7/332
D. 356,005	3/1995	Goble	D7/337

1 Claim, 2 Drawing Sheets

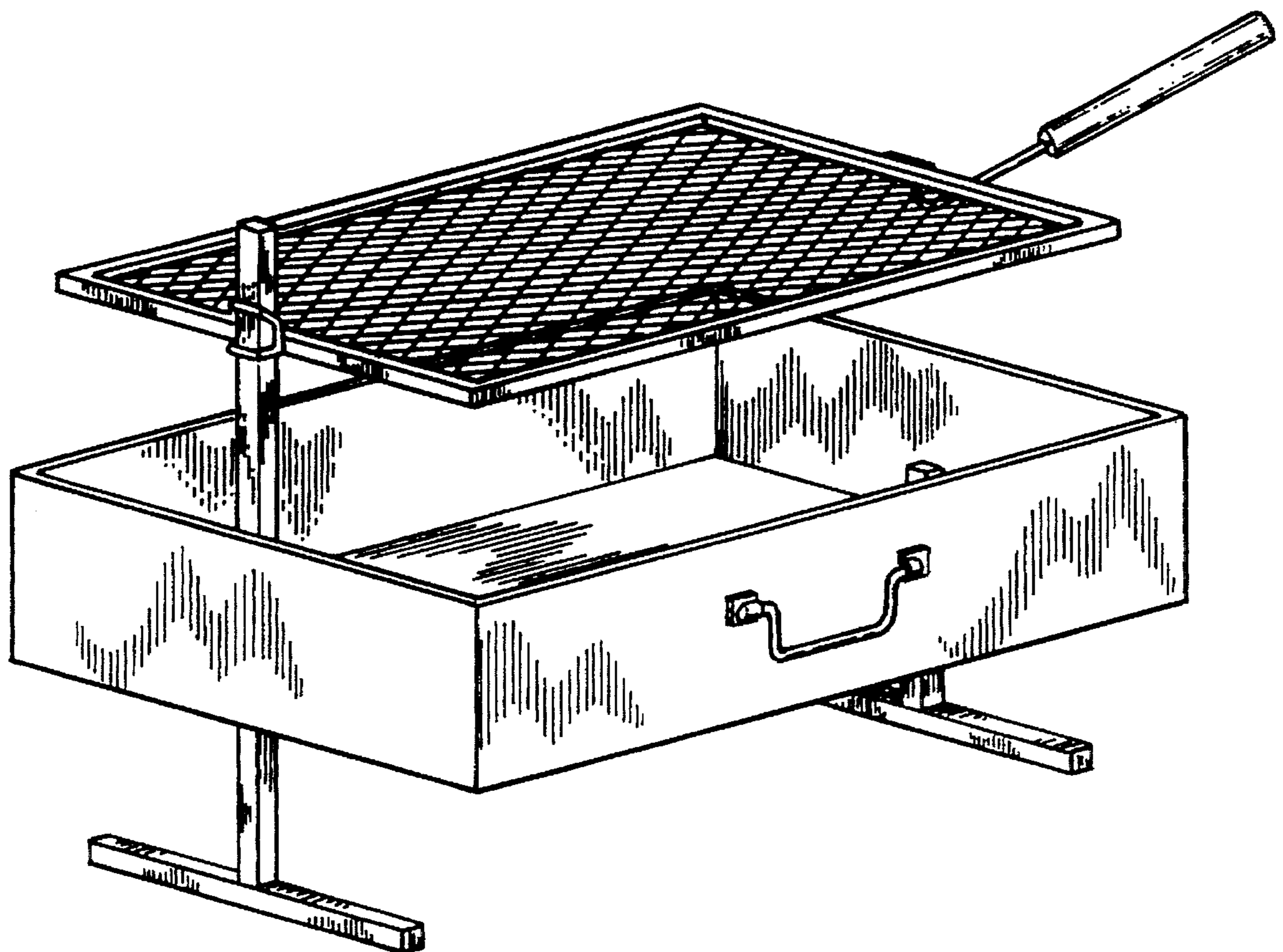


Fig. 1

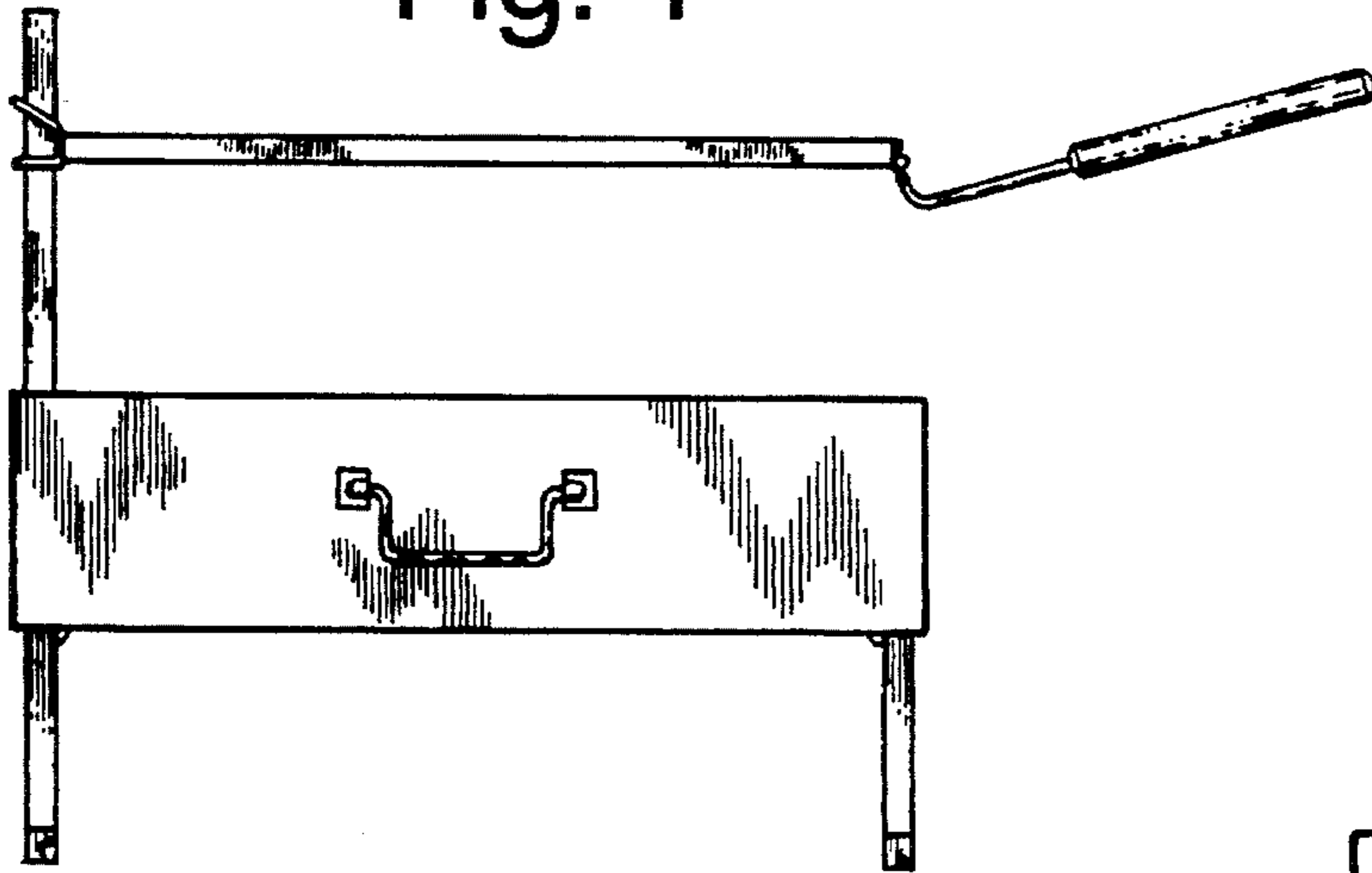


Fig. 2

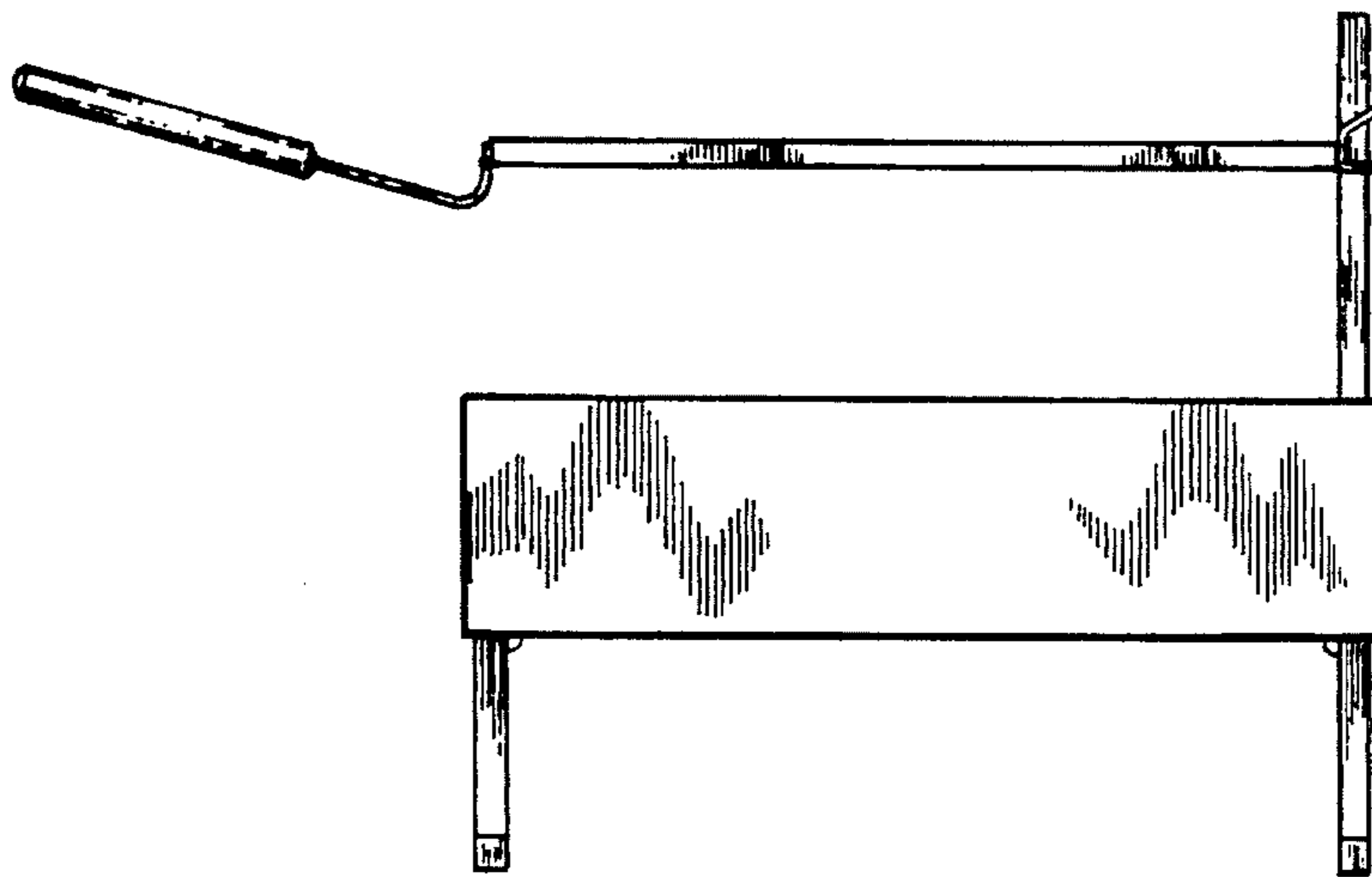
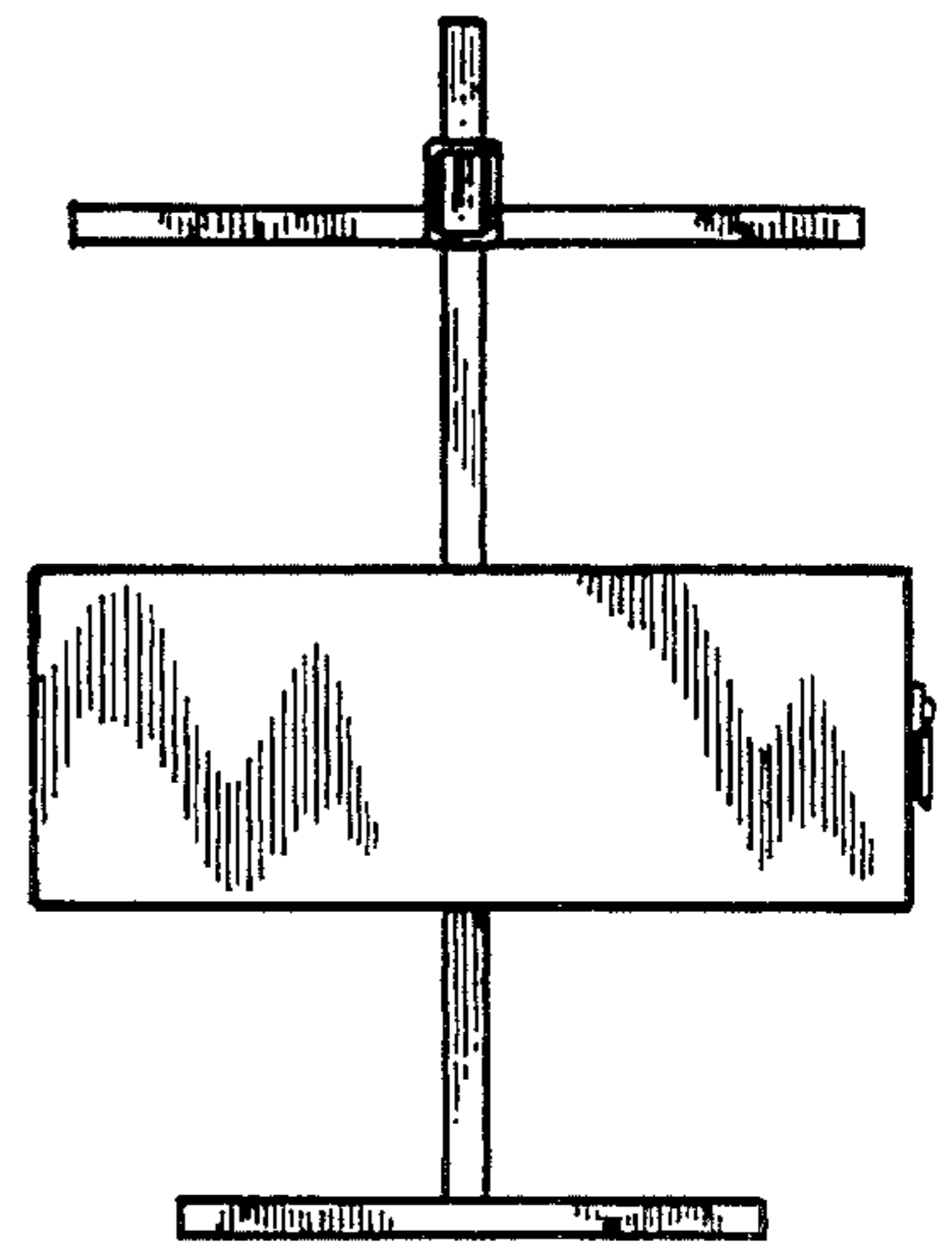


Fig. 3

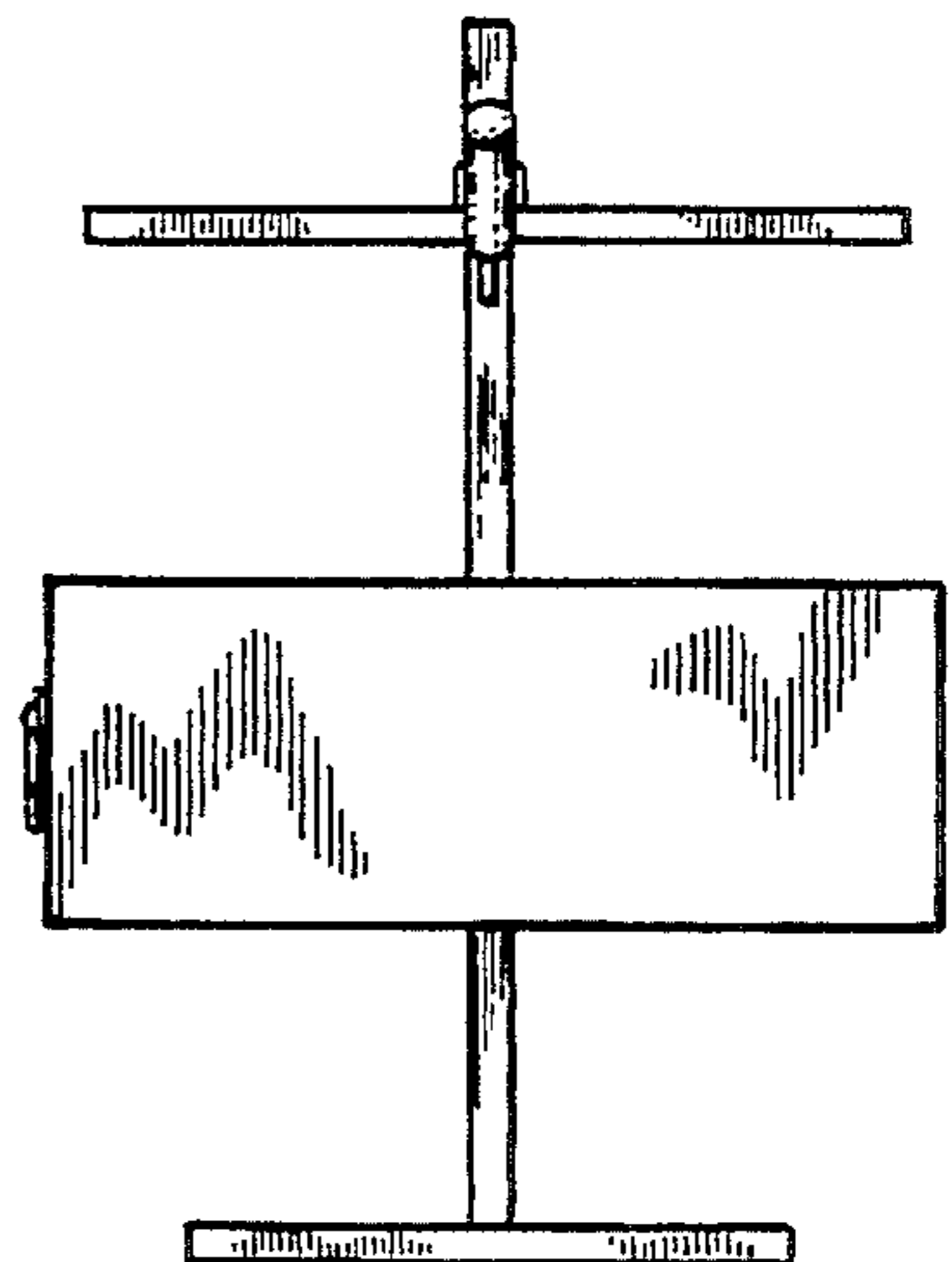


Fig. 4

Fig. 5

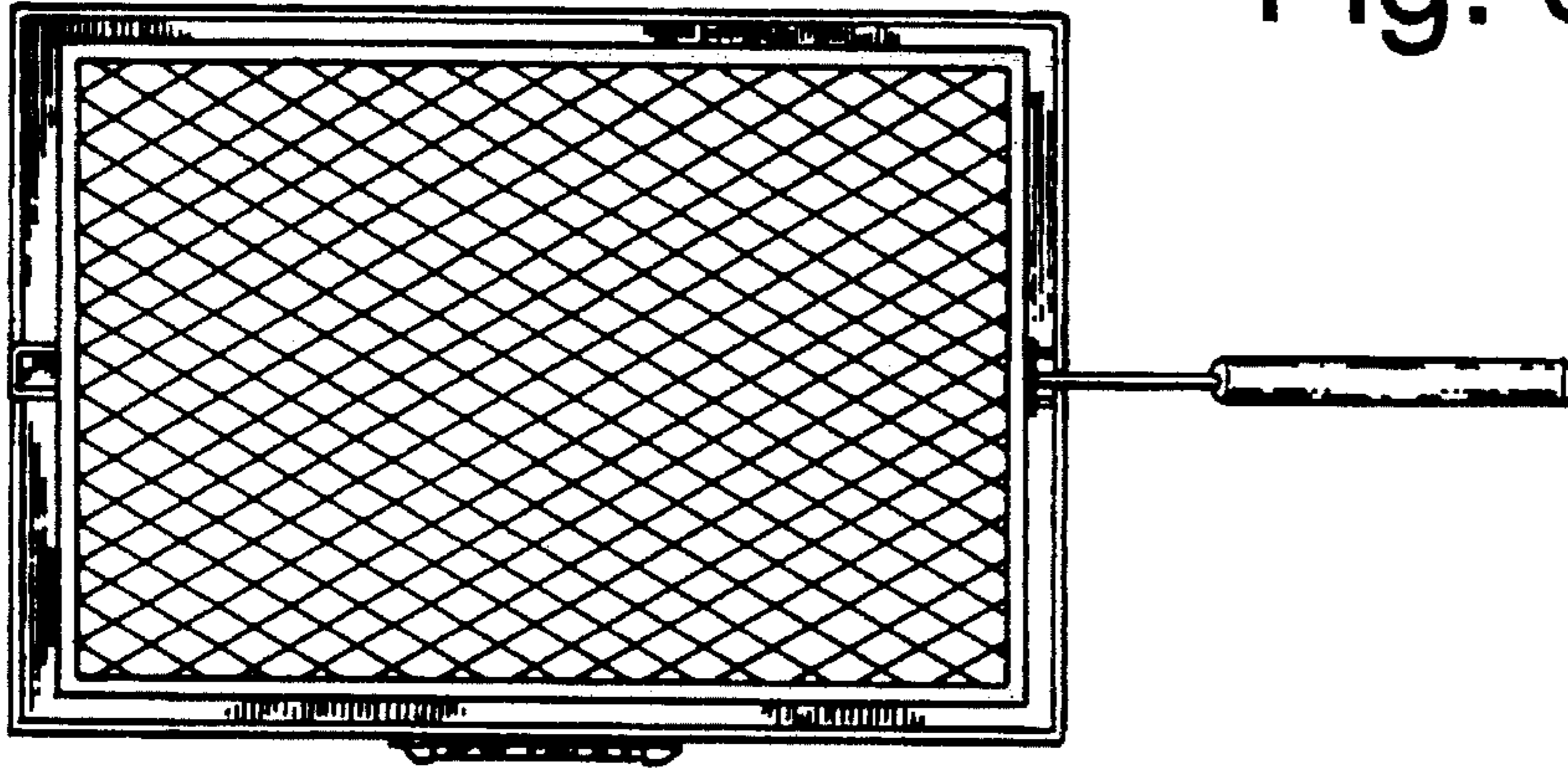


Fig. 6

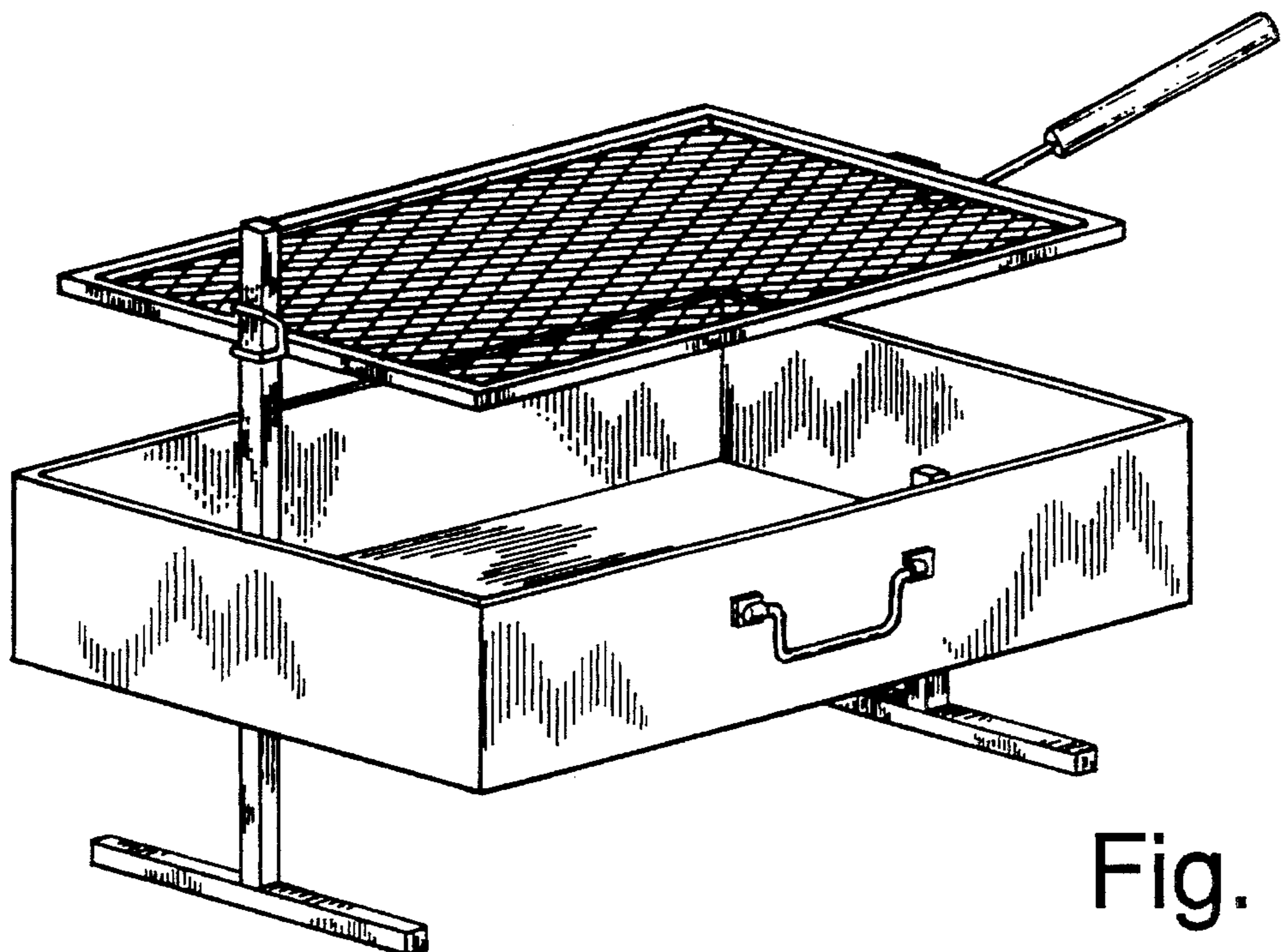
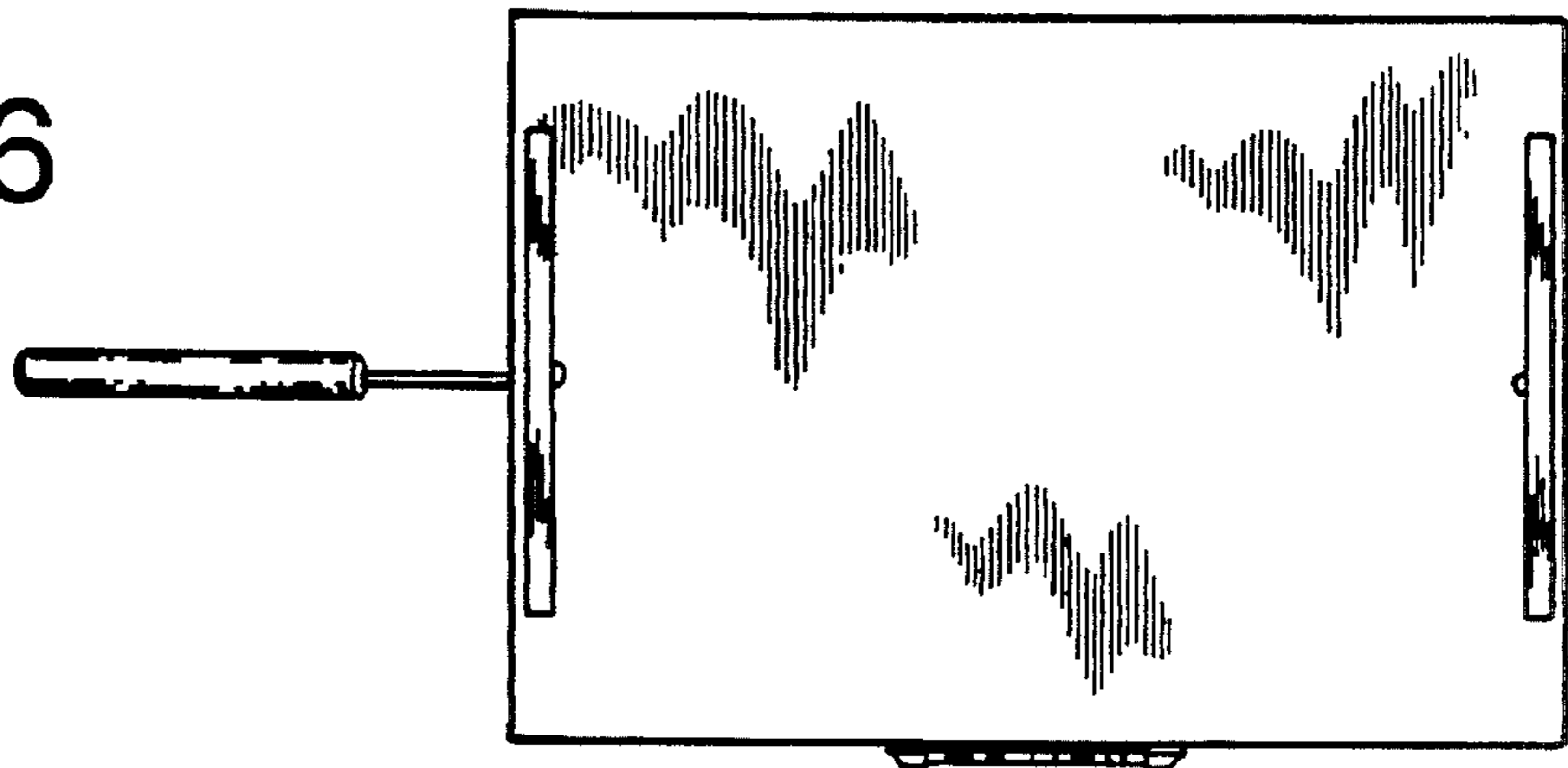


Fig. 7