



US00D362584S

United States Patent [19]

[11] Patent Number: **Des. 362,584**

Mora et al.

[45] Date of Patent: ****Sep. 26, 1995**

[54] **TOASTER**

[76] Inventors: **Ludwin Mora**, 410 Society Pl., Newtown, Pa. 18940; **Richard Pallo**, 3195 Durham Rd., P.O. Box 824, Buckingham, Pa. 18912; **Duncan Copland**, 72 Colonial Dr., Newtown, Pa. 18940

[**] Term: **14 Years**

[21] Appl. No.: **26,276**

[22] Filed: **Jul. 25, 1994**

[52] U.S. Cl. **D7/330; D7/328**

[58] Field of Search **D7/328-330, 390; 99/331, 332, 334, 335, 372, 385, 389**

[56] **References Cited**

U.S. PATENT DOCUMENTS

- D. 336,588 6/1993 Myerly et al. D7/328 X
- D. 347,545 6/1994 Hoare et al. D7/330
- D. 347,762 6/1994 Bannigan D7/328

Primary Examiner—Alan P. Douglas
Assistant Examiner—Caron D. Veynar
Attorney, Agent, or Firm—Haynes N. Johnson

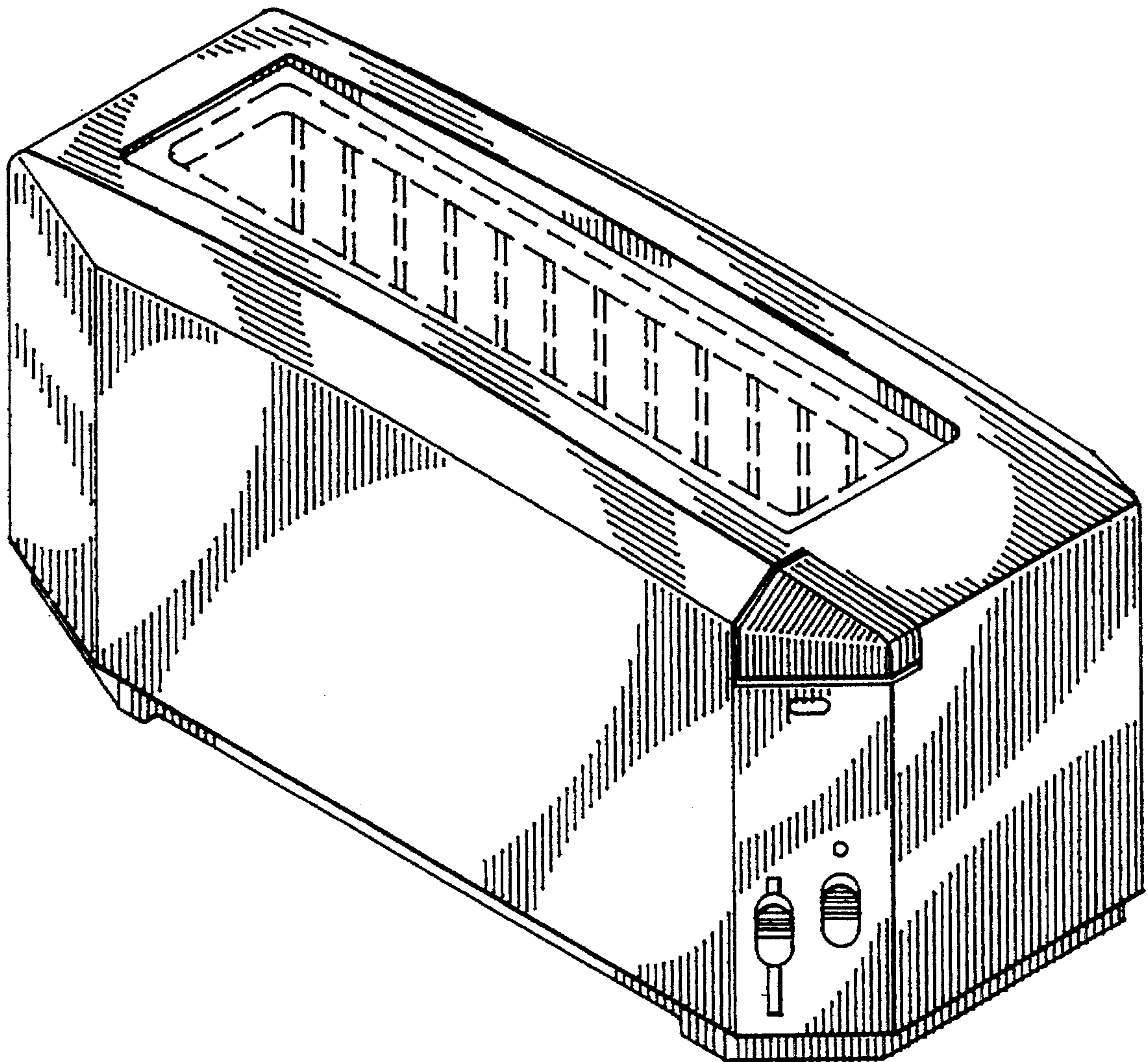
[57] **CLAIM**

The ornamental design for a toaster, as shown and described.

DESCRIPTION

FIG. 1 is a perspective view of a toaster showing our new design;
FIG. 2 is a partial perspective view of the left side of a toaster showing our new design;
FIG. 3 is a front elevation thereof;
FIG. 4 is a left side elevation thereof;
FIG. 5 is a right side elevation thereof;
FIG. 6 is a rear elevation thereof;
FIG. 7 is a top plan view thereof; and,
FIG. 8 is a bottom plan view thereof.
The broken line showing of a bread rack in FIGS. 1, 2 and 7 is environmental only and forms no part of the claimed design.

1 Claim, 3 Drawing Sheets



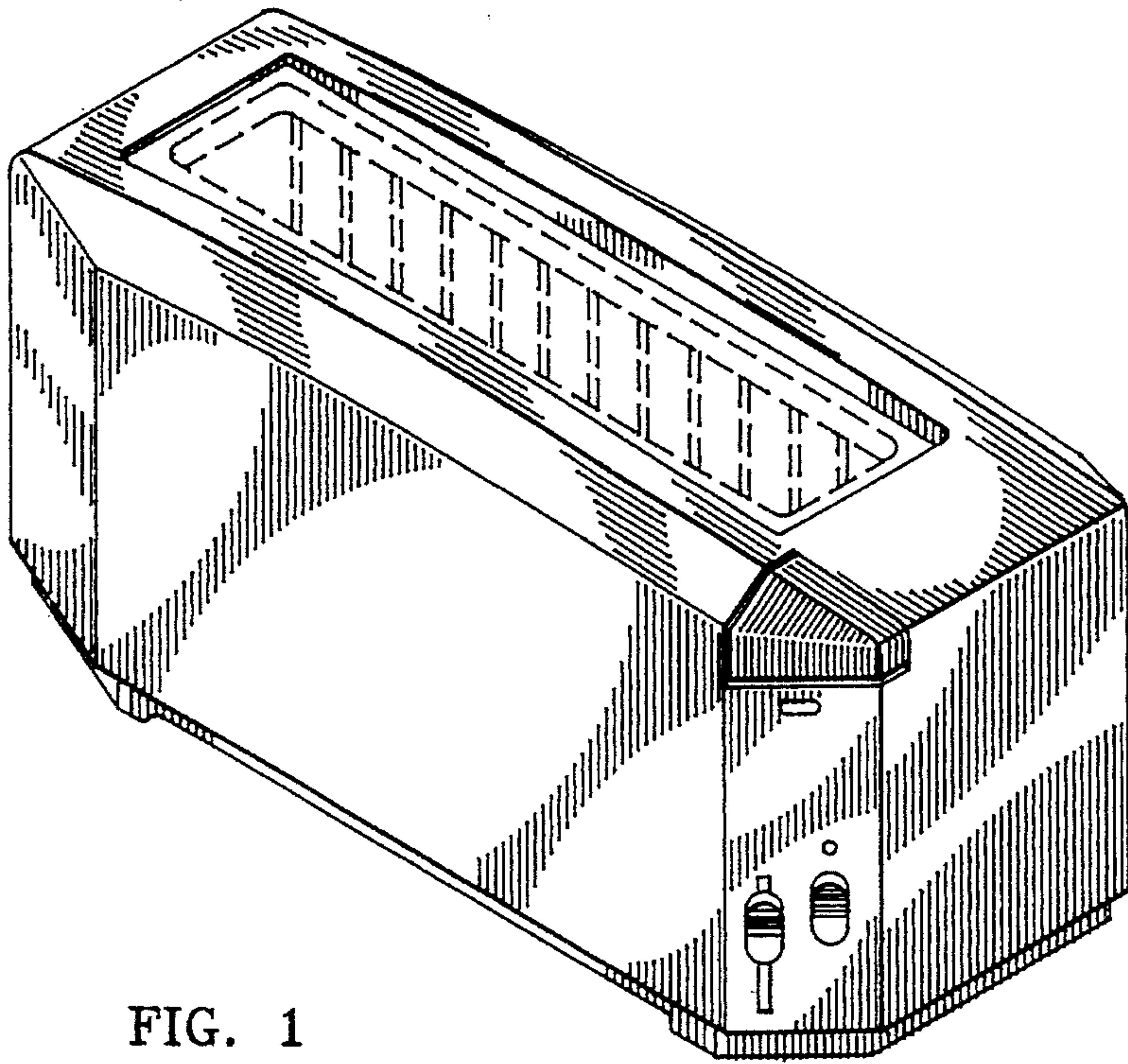


FIG. 1

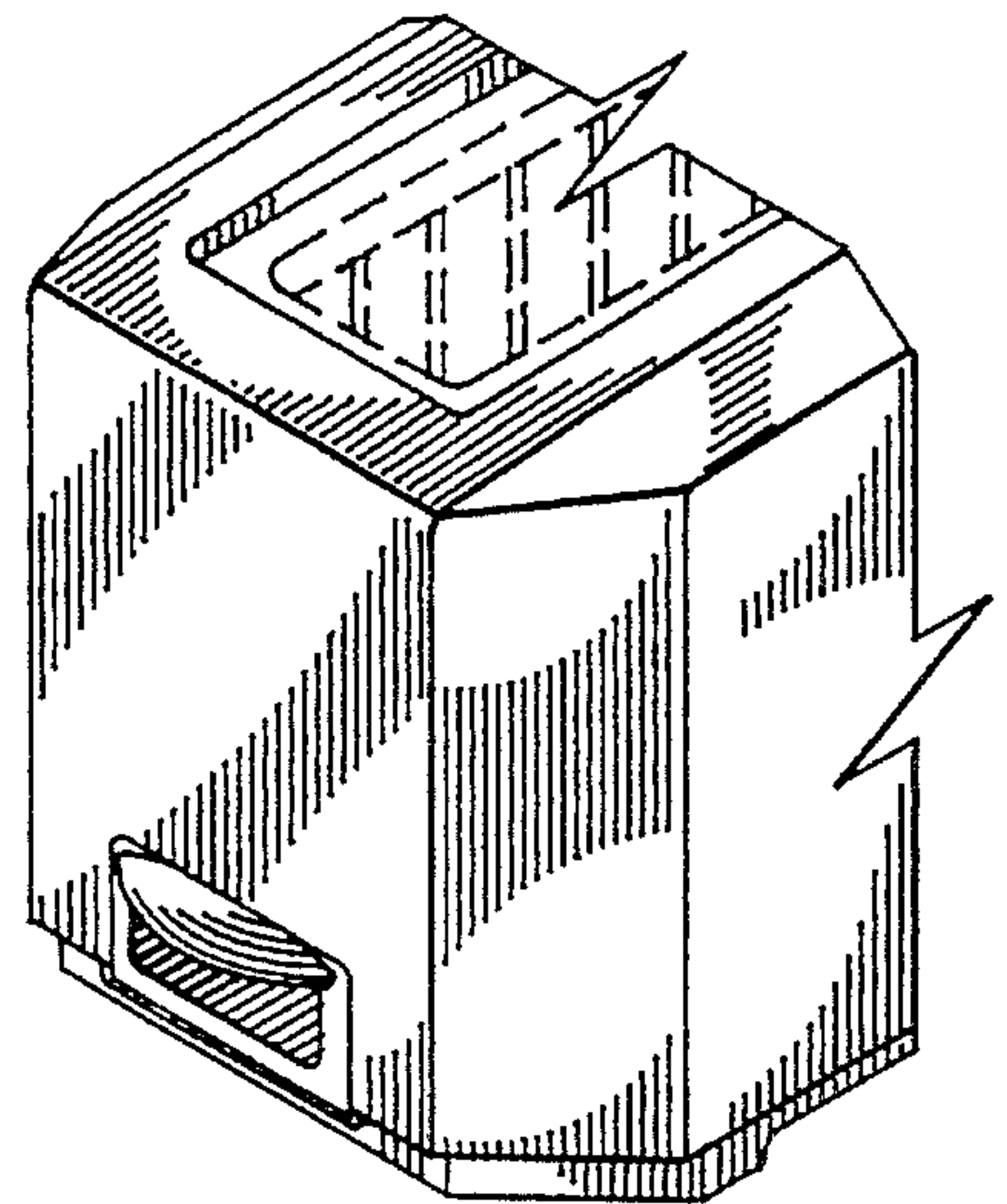
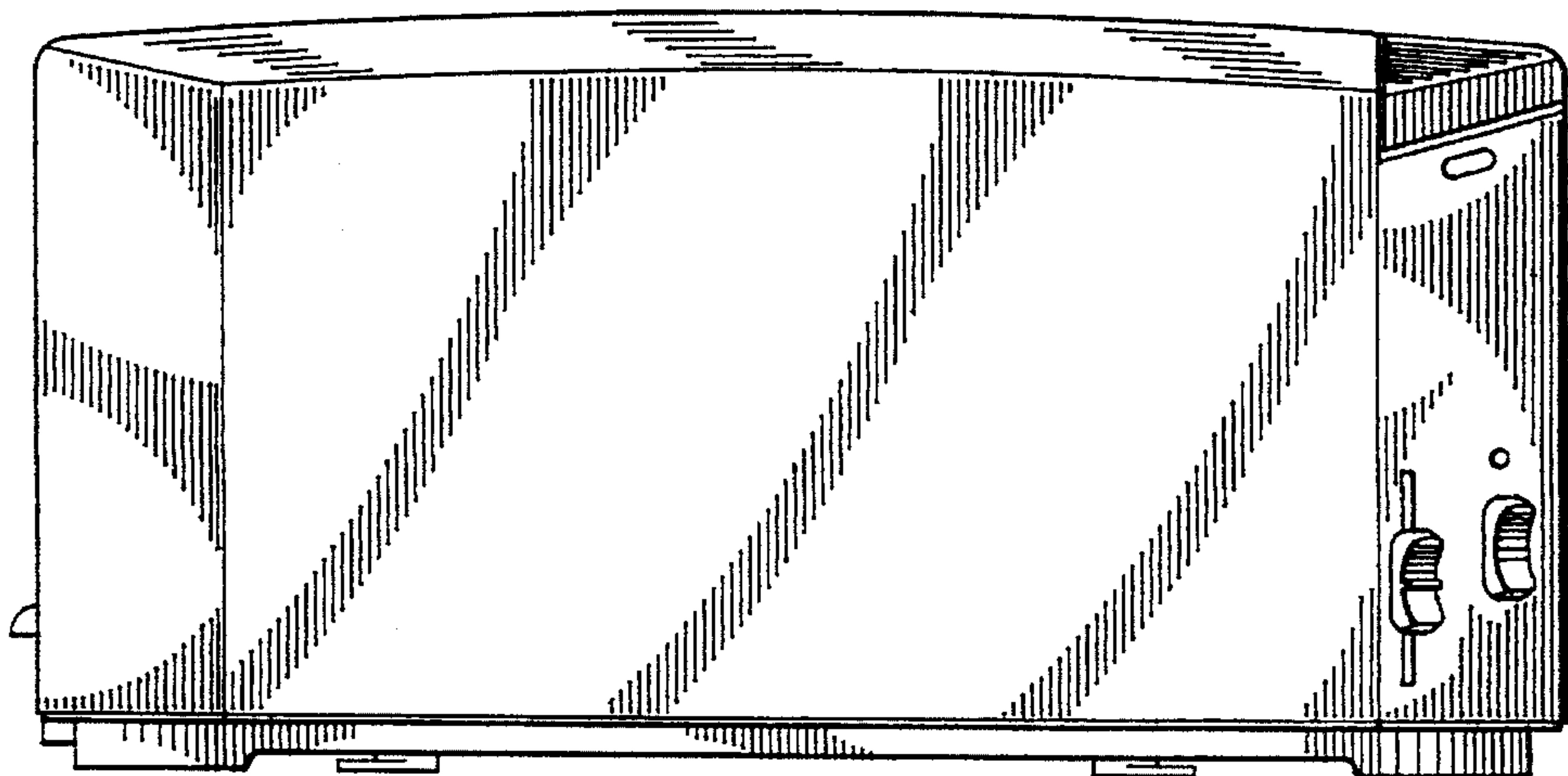


FIG. 2

FIG. 3



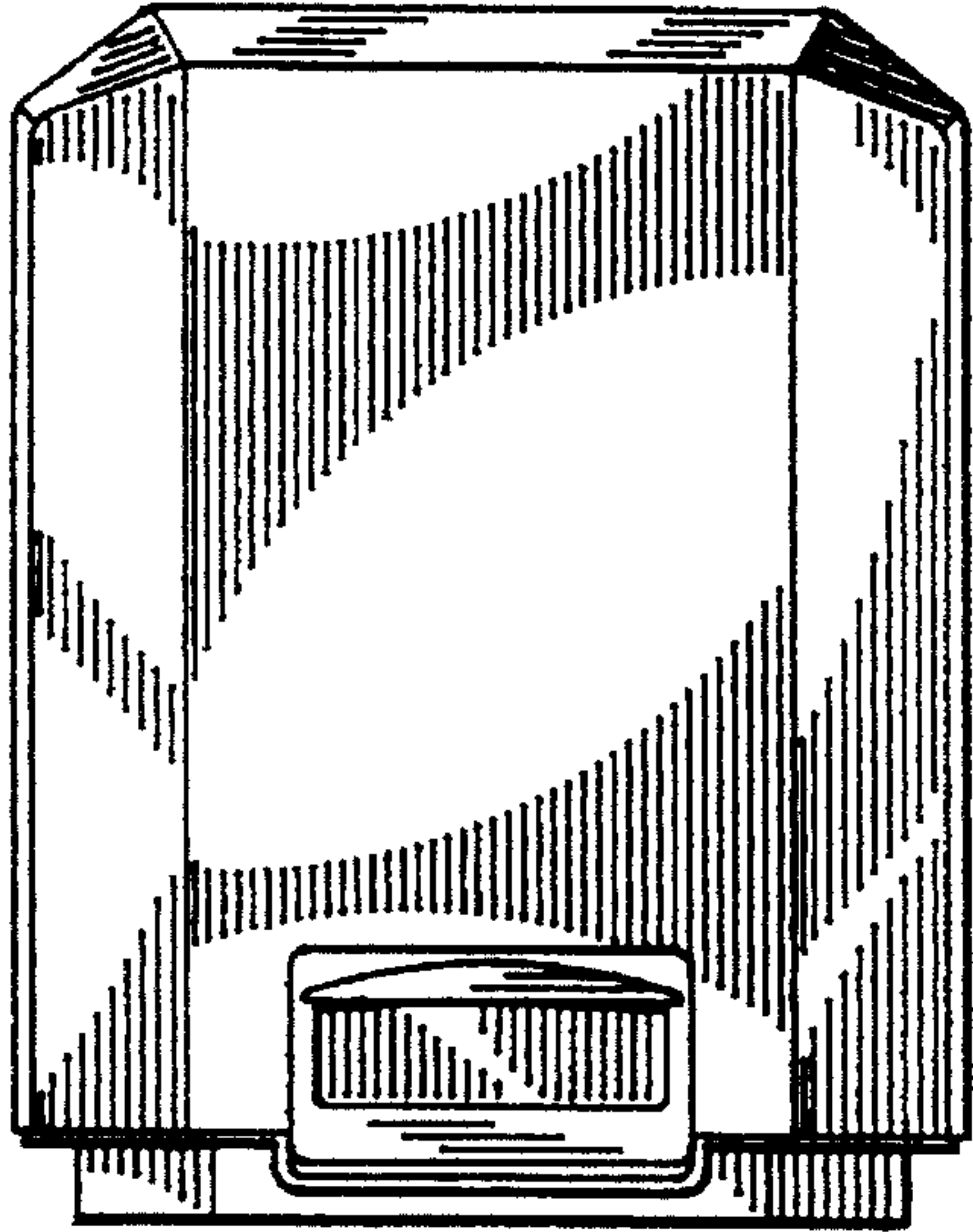


FIG. 4

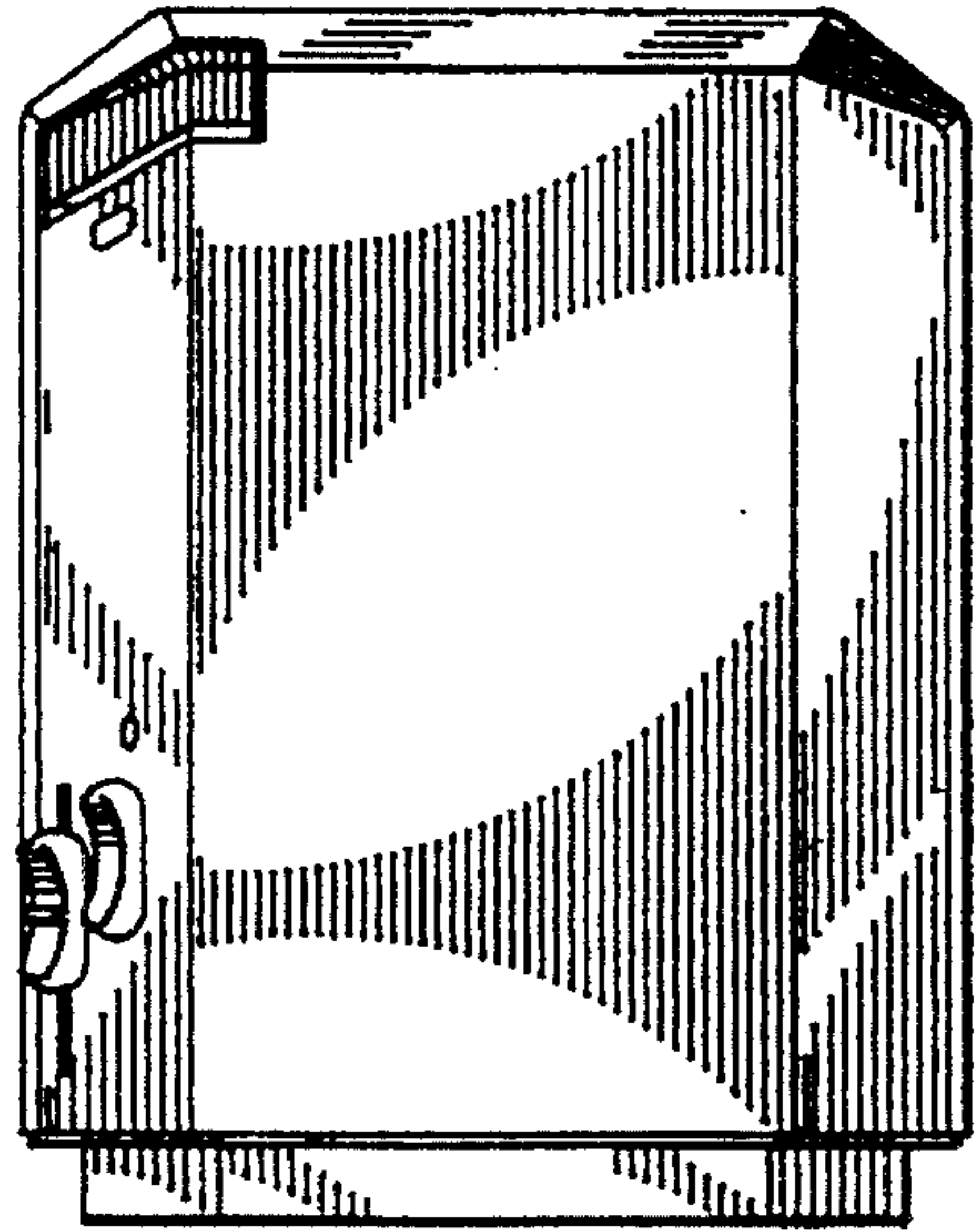


FIG. 5

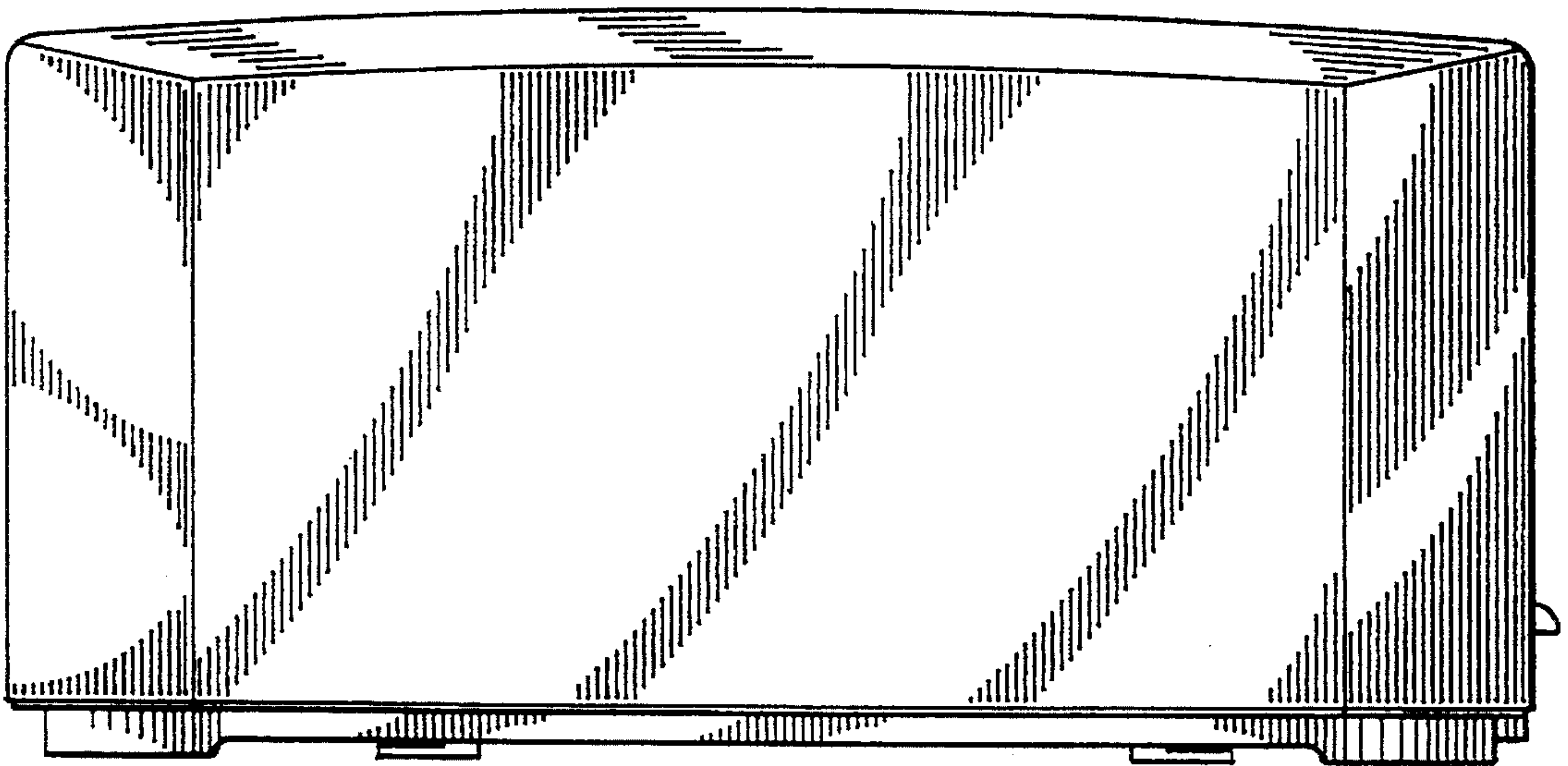


FIG. 6

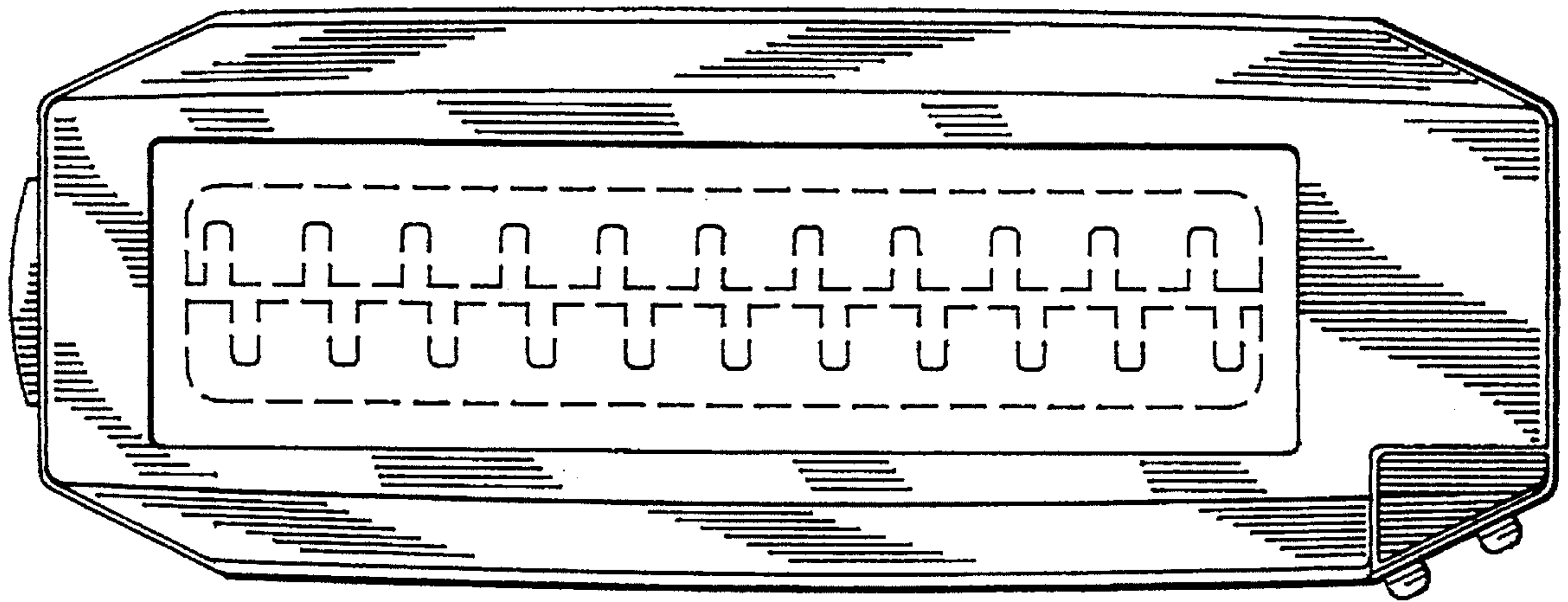


FIG. 7

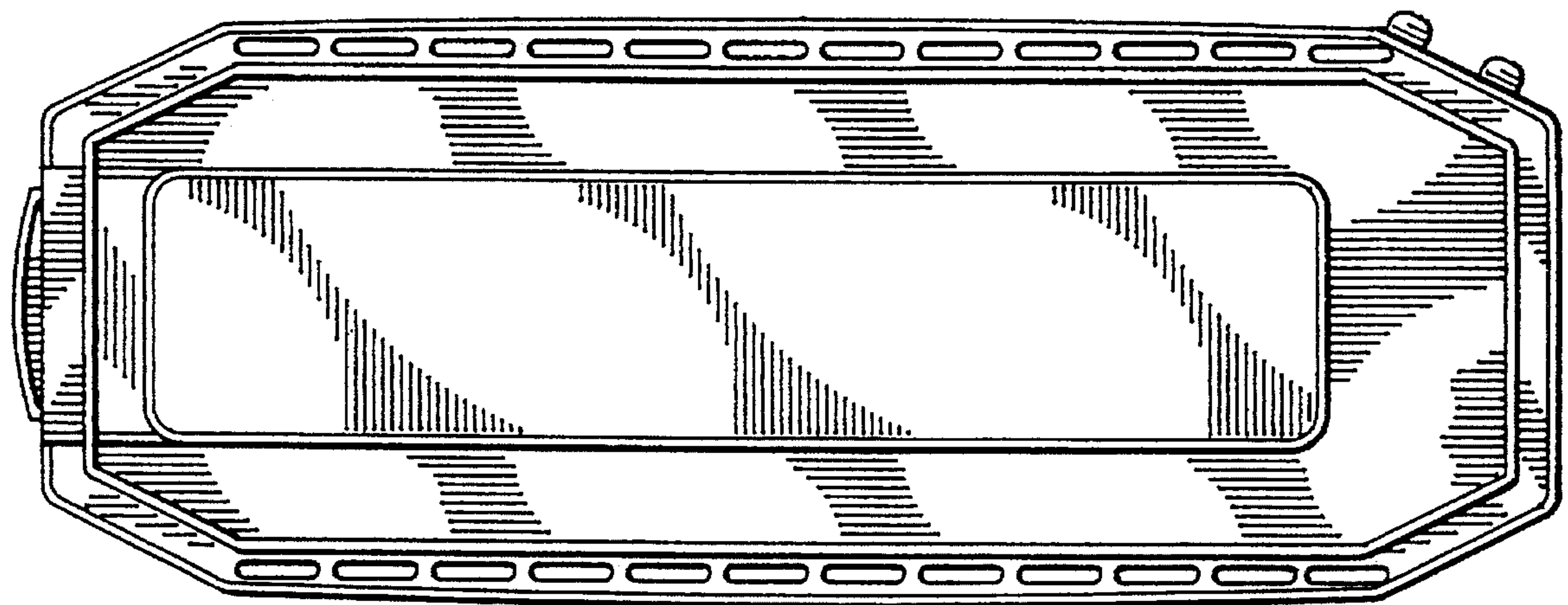


FIG. 8