



US00D362582S

United States Patent [19]

[11] Patent Number: **Des. 362,582**

Wilson et al.

[45] Date of Patent: ****Sep. 26, 1995**

[54] **ELECTRIC KETTLE AND BASE**

[76] Inventors: **Ian G. Wilson**, 40 Cobran Road, Cheltenham, New South Wales 2119; **Kim Scott**, 1 Alfred Street, Campside, New South Wales 2194; **Keith Hensel**, 20 Adderstone Avenue, North Sydney, New South Wales 2060, all of Australia

[**] Term: **14 Years**

[21] Appl. No.: **25,306**

[22] Filed: **Jun. 29, 1994**

[30] **Foreign Application Priority Data**

Jan. 4, 1994 [AU] Australia 3/94

[52] U.S. Cl. **D7/319; D7/305; D7/318**

[58] Field of Search D7/312, 309, 316, D7/317, 318, 319, 320, 321, 322, 301, 302, 303, 589, 590, 309, 305, 310, 300; 99/295, 306, 307

[56] **References Cited**

U.S. PATENT DOCUMENTS

D. 259,692 6/1981 Quinn D7/321
D. 285,160 8/1986 Osit D7/317
D. 287,807 1/1987 Wilson D7/317

D. 307,857 5/1990 Grome et al. D7/321 X
D. 335,239 5/1993 Crunden et al. D7/318 X
D. 335,385 5/1993 Correa et al. D7/318 X
D. 345,670 4/1994 Piret D7/318 X
4,825,759 5/1989 Grome et al. 99/307

OTHER PUBLICATIONS

Coffeepot W/Base (Bottom Right) *Form*, Jan., 1986 p. 40.

Primary Examiner—Alan P. Douglas
Assistant Examiner—M. N. Pandozzi
Attorney, Agent, or Firm—Staas & Halsey

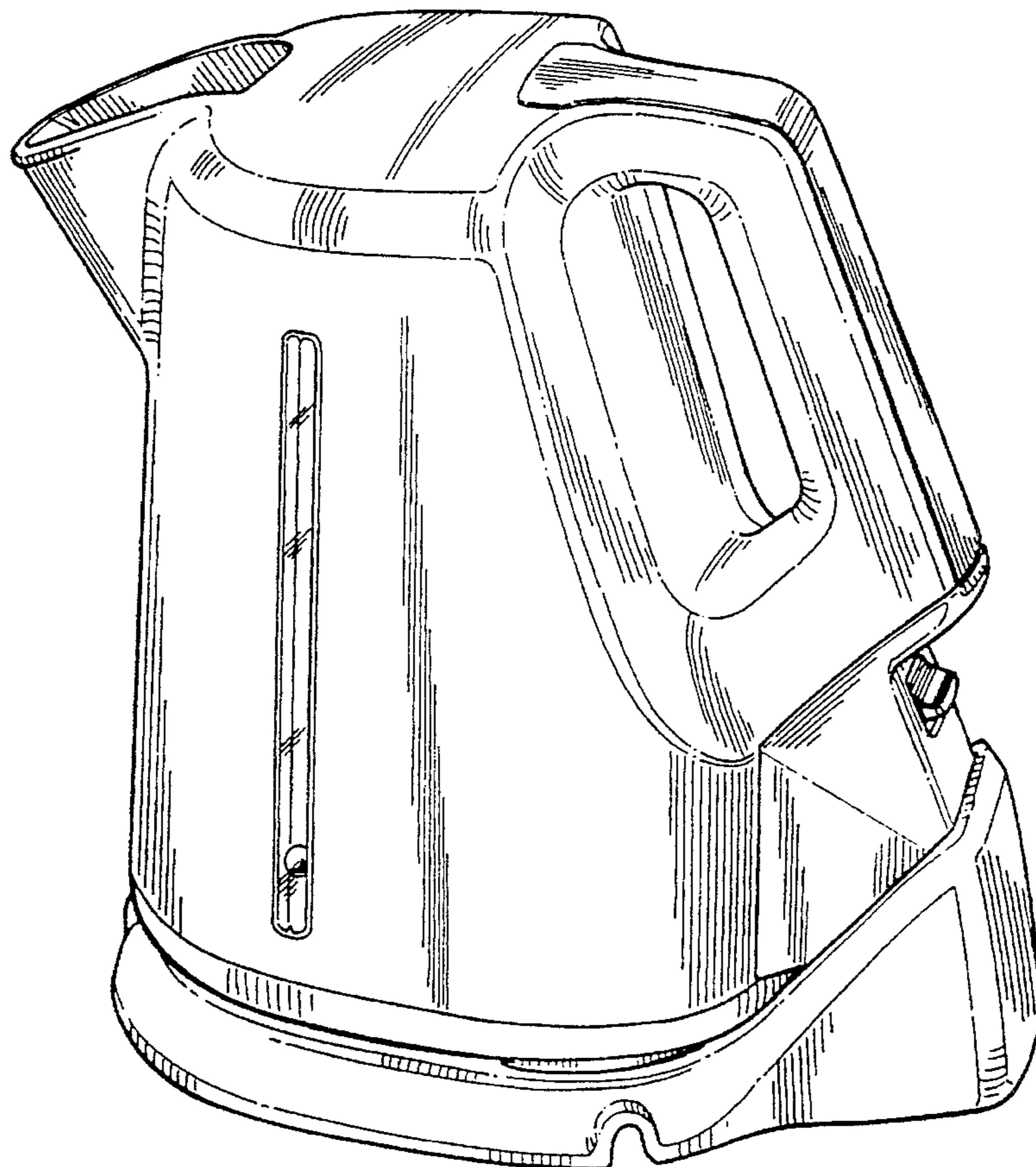
[57] **CLAIM**

The ornamental design for an electric kettle and base, as shown.

DESCRIPTION

FIG. 1 is a perspective view of an electric kettle and base showing our new design;
FIG. 2 is a left side elevational view thereof;
FIG. 3 is a right side elevational view thereof;
FIG. 4 is a top plan view thereof;
FIG. 5 is a front elevational view thereof;
FIG. 6 is a rear elevational view, and,
FIG. 7 is a bottom plan view thereof.

1 Claim, 6 Drawing Sheets



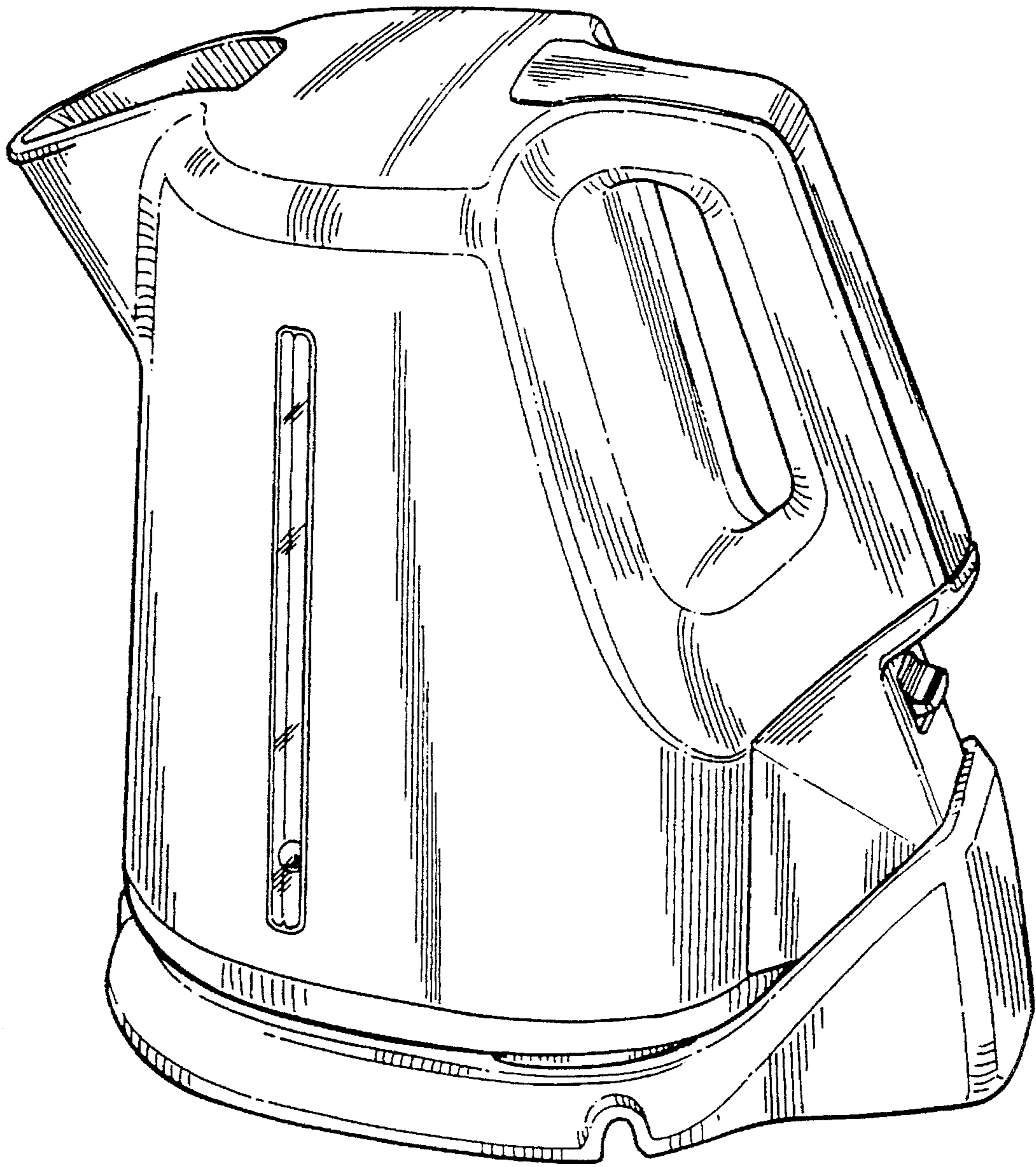


FIG. 1

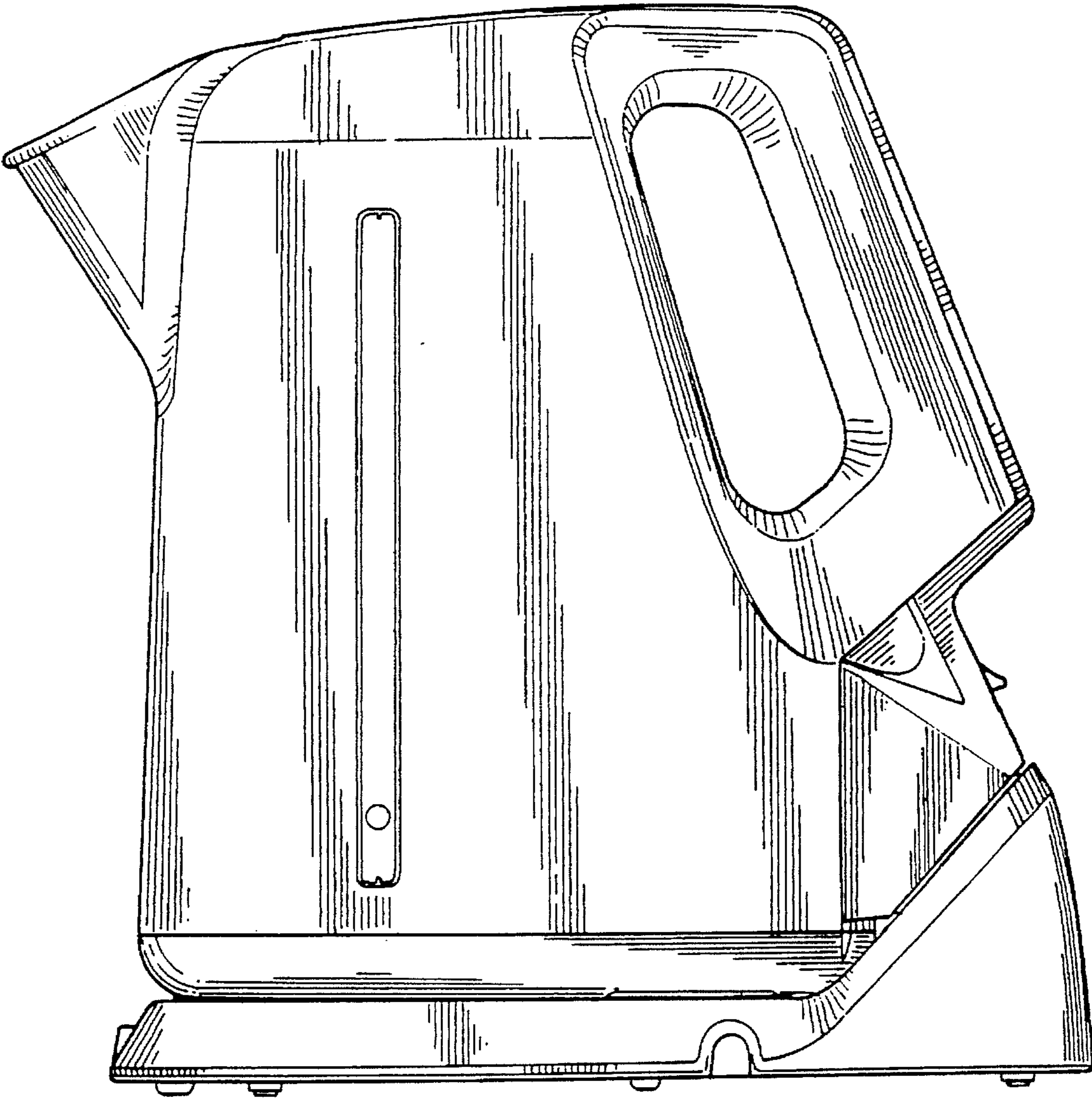


FIG. 2

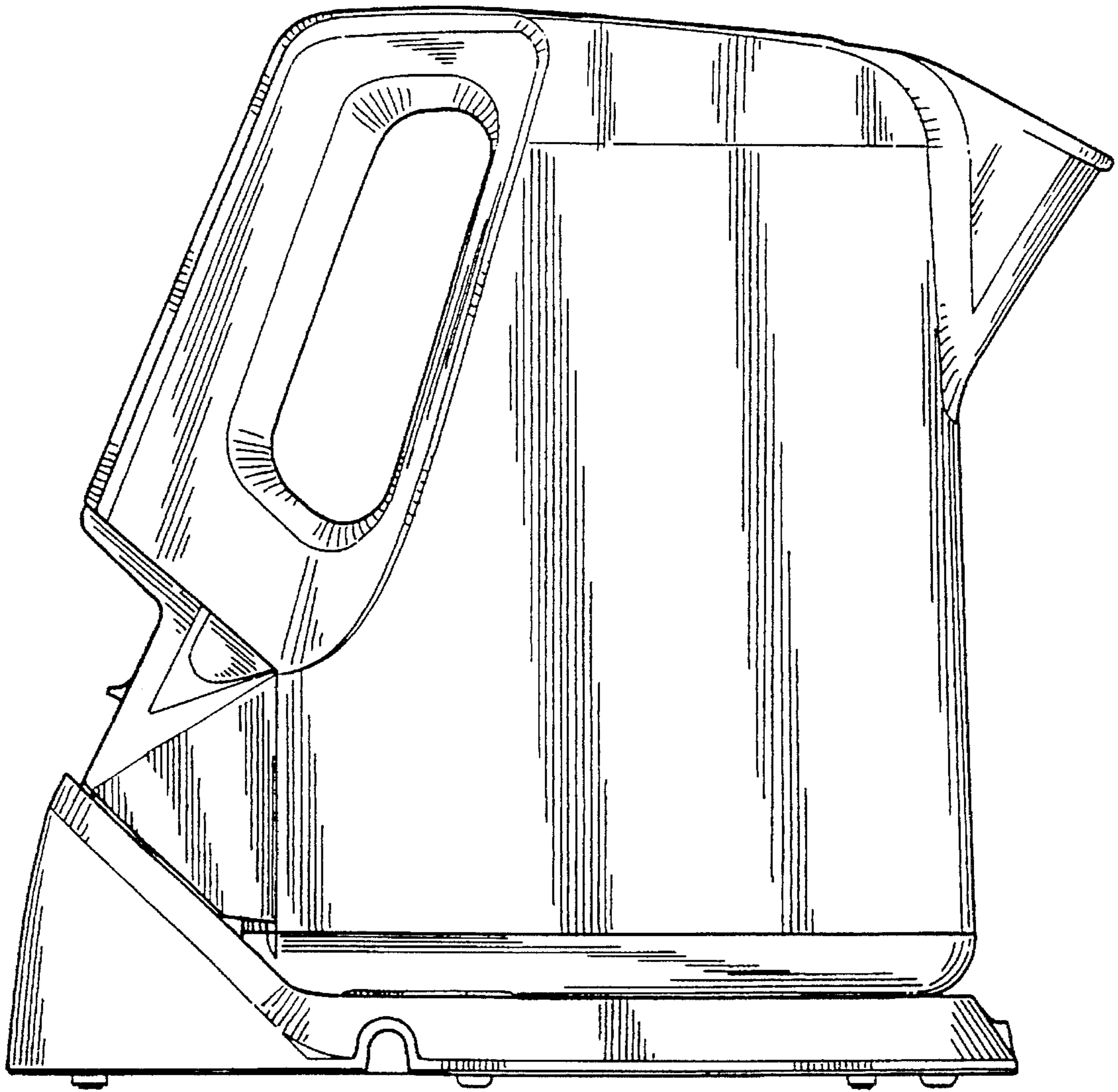


FIG. 3

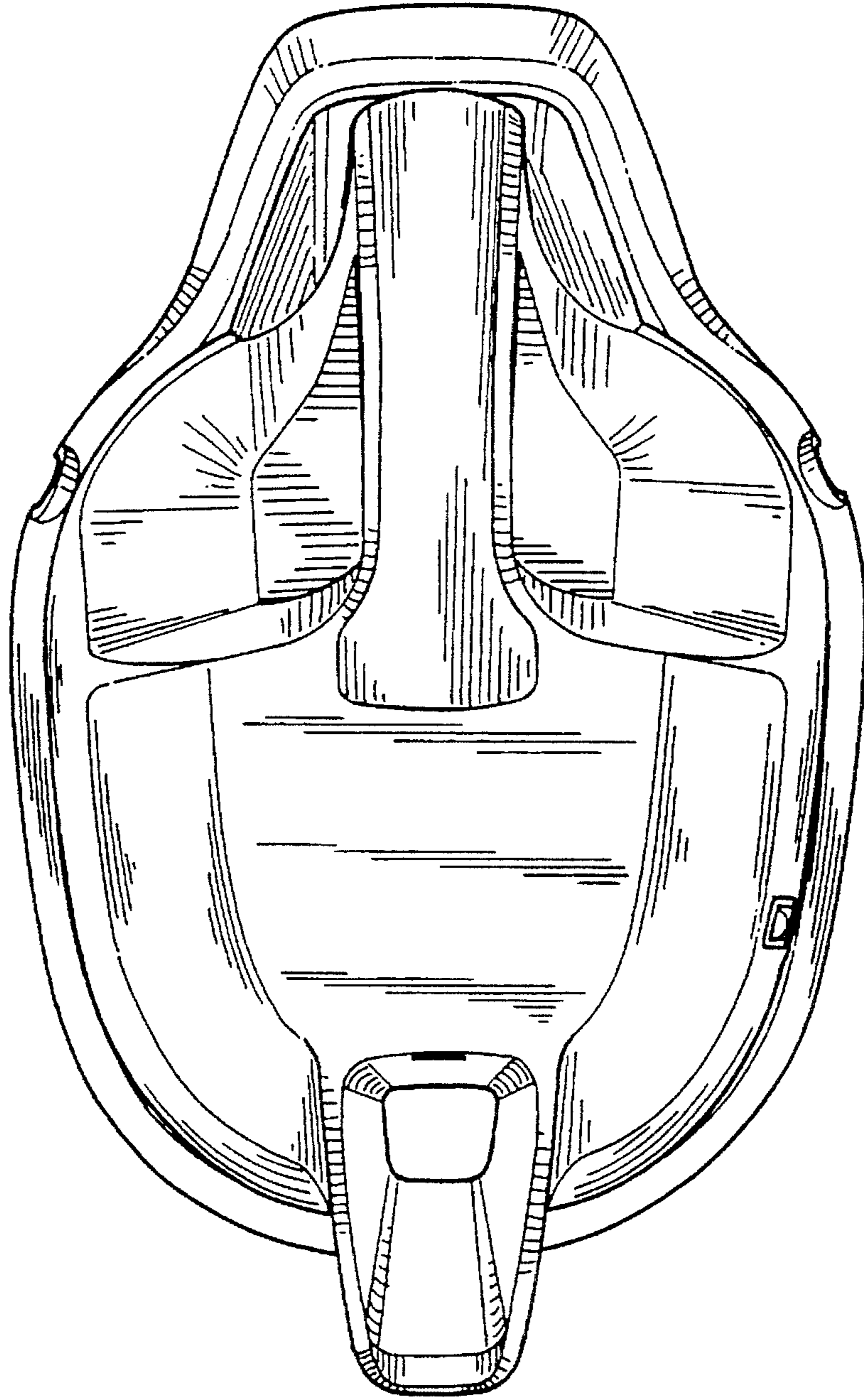


FIG. 4

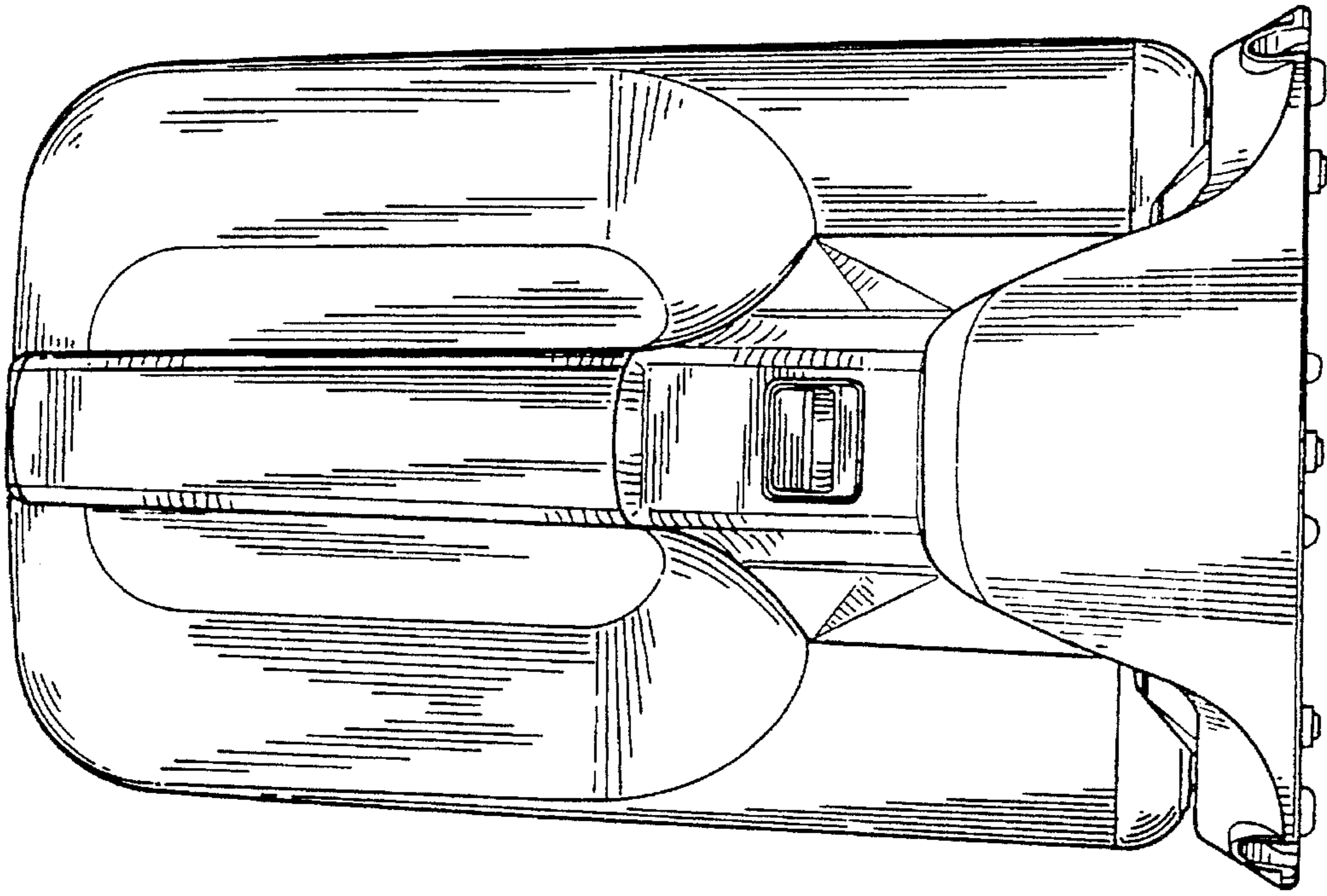


FIG. 6

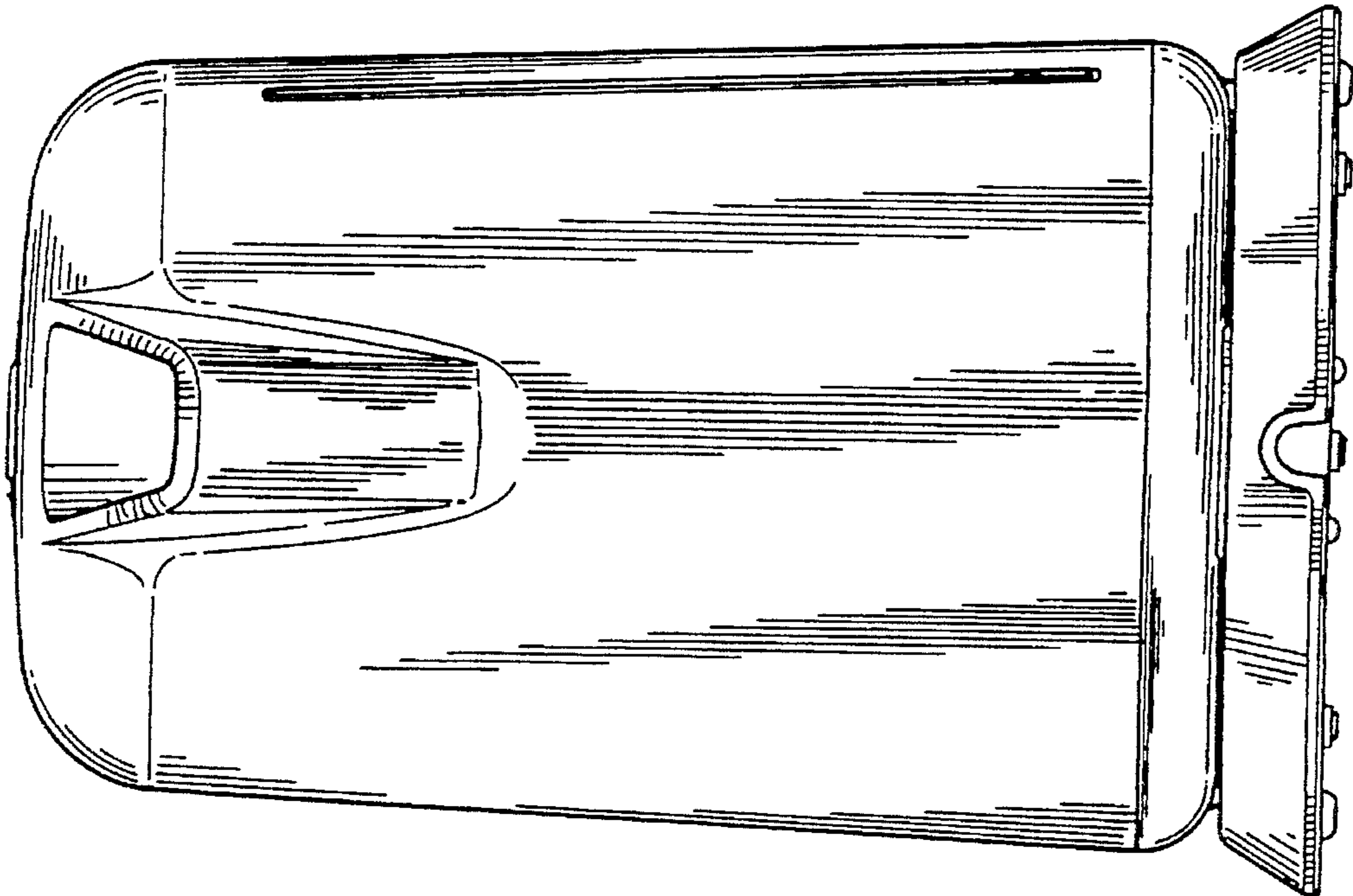


FIG. 5

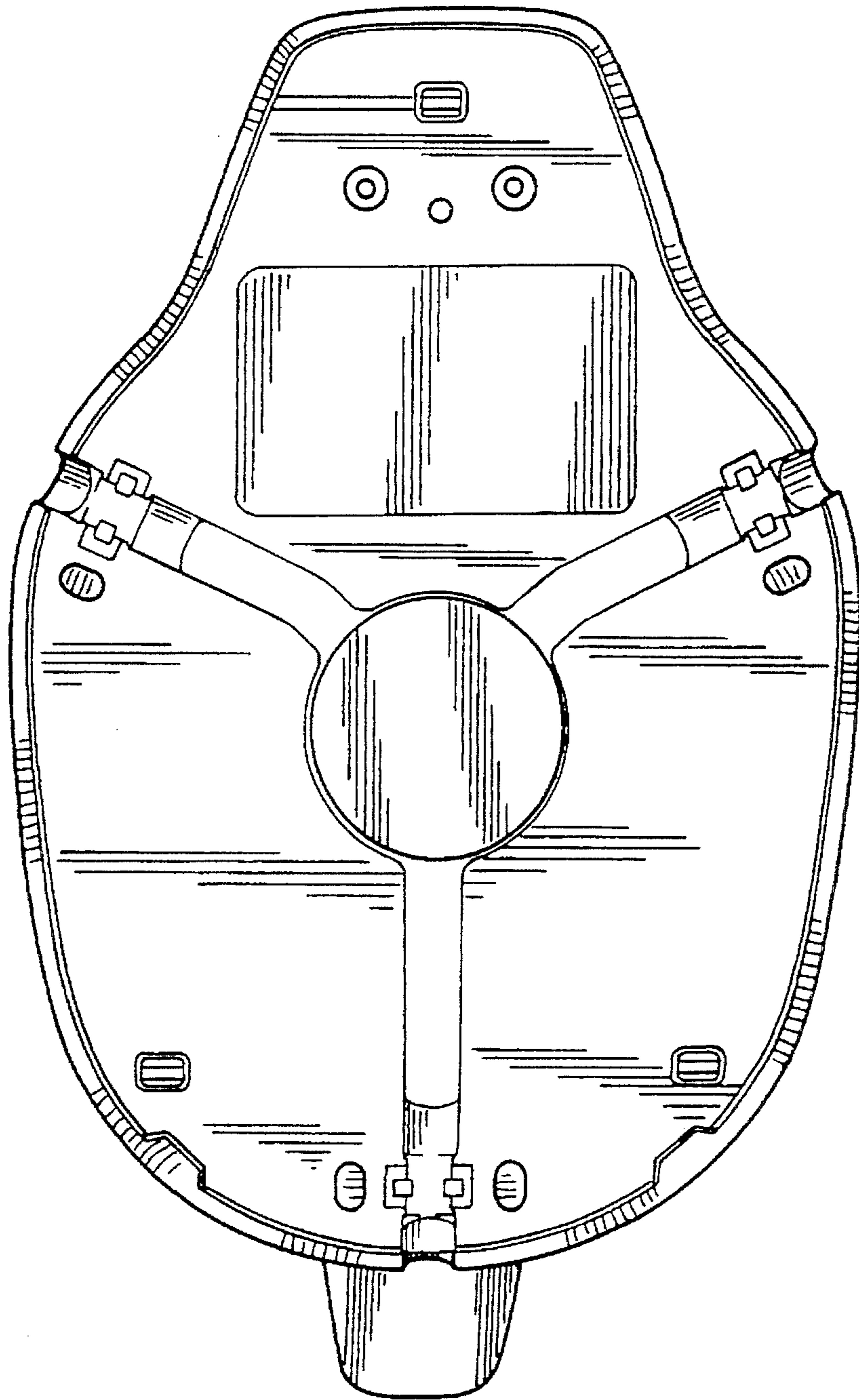


FIG. 7